



US00D800585S

(12) **United States Design Patent** (10) **Patent No.:** **US D800,585 S**
Wojciechowski (45) **Date of Patent:** **** Oct. 24, 2017**

- (54) **TORPEDO LEVEL**
- (71) Applicant: **Diamond Tech LLC**, Carson City, NV (US)
- (72) Inventor: **Timothy J. Wojciechowski**, Hubertus, WI (US)
- (73) Assignee: **Diamond Tech LLC**, Carson City, NV (US)
- (**) Term: **15 Years**
- (21) Appl. No.: **29/561,557**
- (22) Filed: **Apr. 18, 2016**
- (51) **LOC (10) Cl.** **10-04**
- (52) **U.S. Cl.**
USPC **D10/69**
- (58) **Field of Classification Search**
USPC D10/69
CPC . G01C 9/00; G01C 9/005; G01C 9/02; G01C 9/04; G01C 9/06; G01C 9/08; G01C 9/10; G01C 9/12; G01C 9/14; G01C 9/16; G01C 9/18; G01C 9/20; G01C 9/22; G01C 9/24; G01C 9/26; G01C 9/28; G01C 9/30; G01C 9/32; G01C 9/34; G01C 9/36

See application file for complete search history.

(56) **References Cited**
U.S. PATENT DOCUMENTS

D224,663 S	8/1972	de Jong
D280,185 S	8/1985	Wright
4,593,475 A	6/1986	Mayes
4,829,676 A	5/1989	Waldron
D301,553 S	6/1989	Makofsky et al.
4,876,798 A	10/1989	Zimmerman
D20,360 S	10/1991	Kennedy
D332,226 S	1/1993	Hutchins et al.
D355,134 S	2/1995	Kennedy

D412,857 S	8/1999	Howard et al.	
D415,436 S	10/1999	Martone	
D469,370 S	1/2003	Gruetzmacher et al.	
D472,168 S	3/2003	Levinson	
6,568,095 B2	5/2003	Snyder	
6,782,628 B2*	8/2004	Liao	G01C 9/28 33/384
D507,194 S	7/2005	Budrow et al.	
D513,198 S	12/2005	Levinson	
D519,863 S	5/2006	Kim	
D521,882 S	5/2006	Kim	
7,086,166 B2	8/2006	Helda et al.	
7,152,335 B2	12/2006	Nichols	
D582,302 S	12/2008	Johnson et al.	
D597,873 S *	8/2009	Gofer	D10/69
D625,630 S	10/2010	Levinson	
D628,914 S	12/2010	Kim et al.	
7,946,045 B2	5/2011	Allemand	
8,061,051 B2	11/2011	Allemand	
D694,659 S	12/2013	Yong et al.	
D723,955 S *	3/2015	Wojciechowski	D10/69
D723,956 S *	3/2015	Johnson	D10/69
D729,645 S	5/2015	Wojciechowski et al.	

(Continued)

Primary Examiner — Antoine D Davis
(74) *Attorney, Agent, or Firm* — Boyle Fredrickson, S.C.

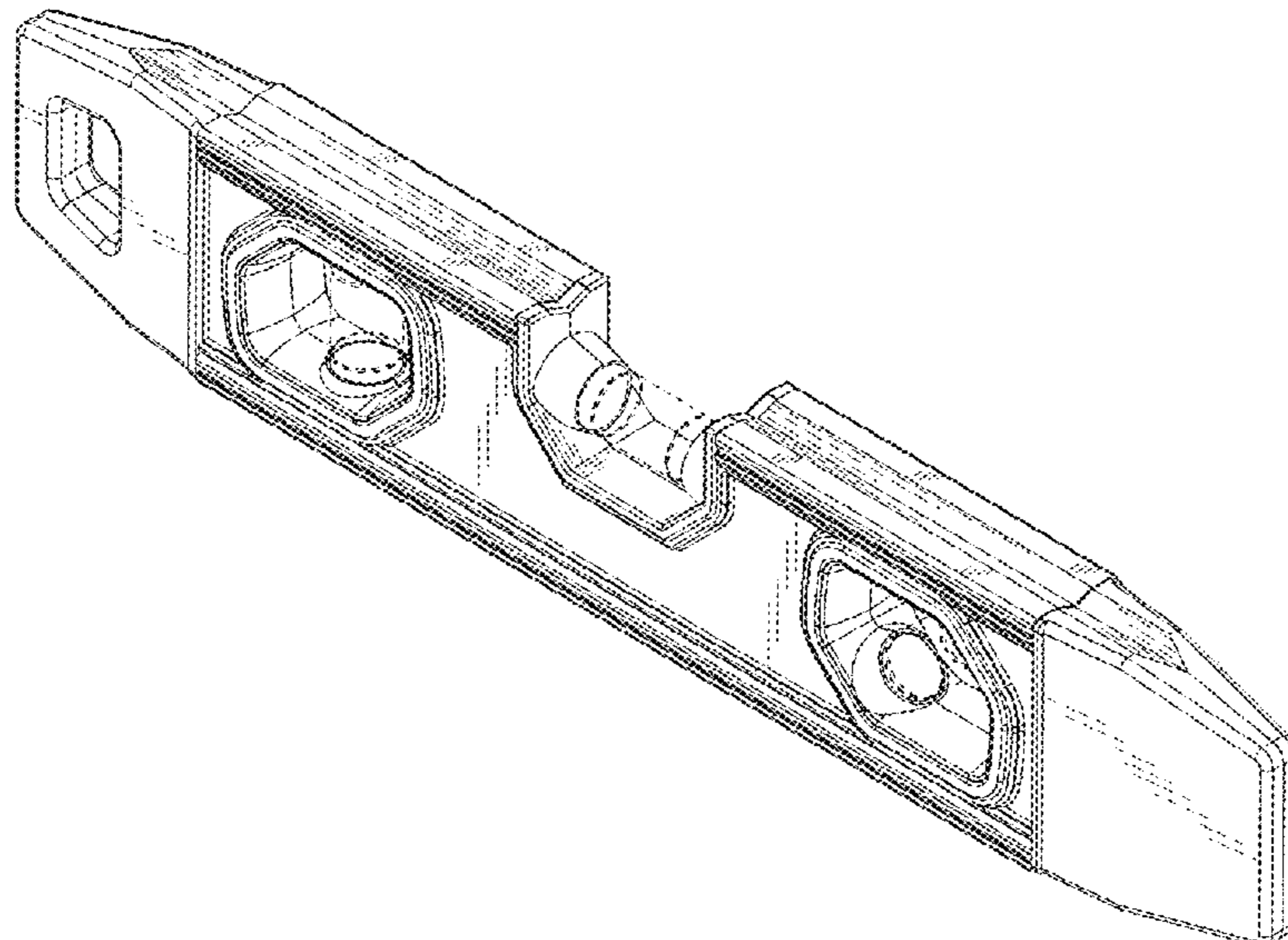
(57) **CLAIM**

The ornamental design of a torpedo level, as shown and described.

DESCRIPTION

FIG. 1 is an isometric view of a torpedo level incorporating my new design, wherein the portions in phantom form no part of the claimed design:
FIG. 2 is a right side elevation view thereof;
FIG. 3 is a left side elevation view thereof;
FIG. 4 is a bottom plan view thereof;
FIG. 5 is a top plan view thereof;
FIG. 6 is a first end elevation view thereof; and,
FIG. 7 is a second end elevation view thereof.

1 Claim, 4 Drawing Sheets



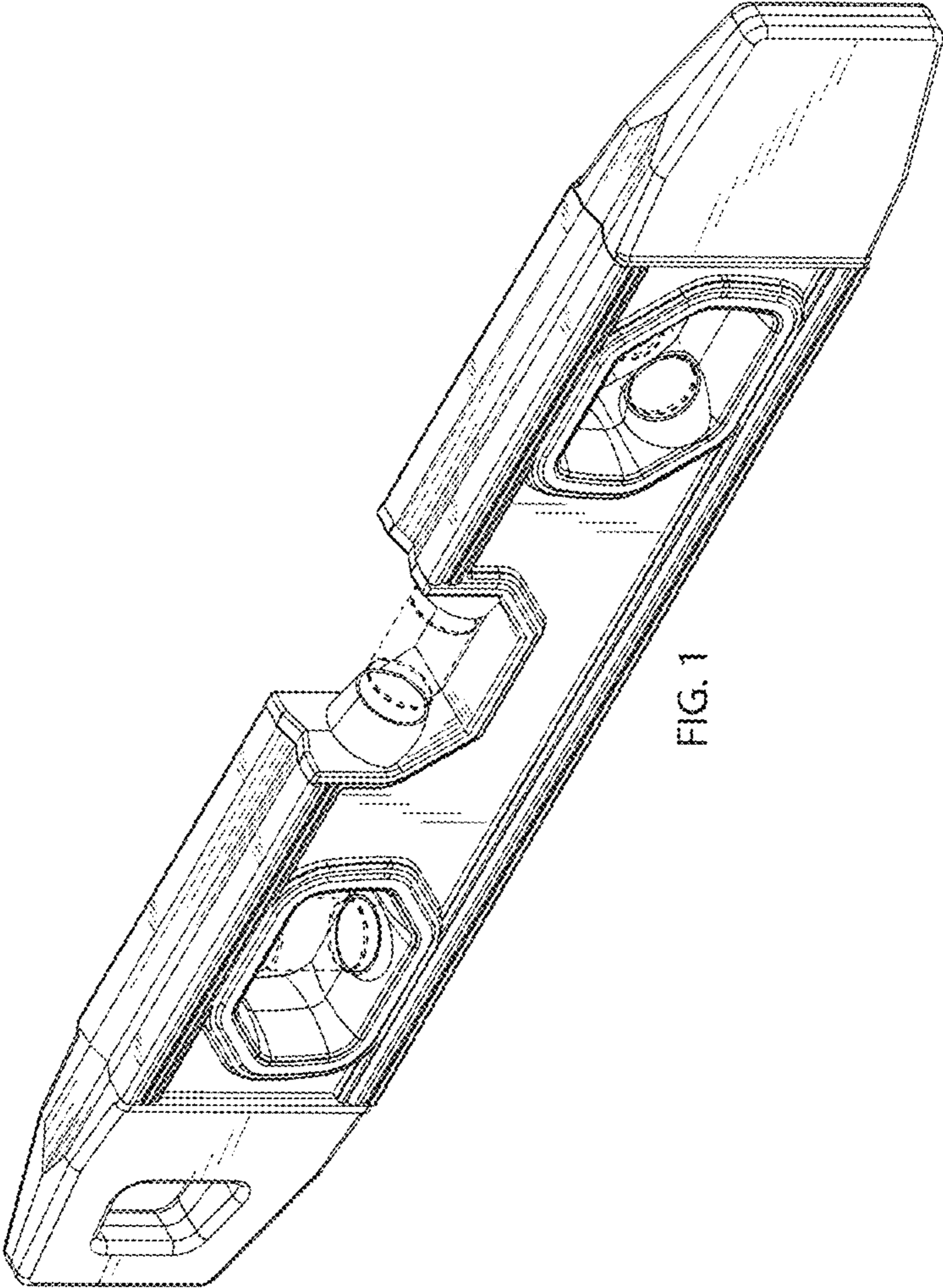
(56)

References Cited

U.S. PATENT DOCUMENTS

D751,428 S * 3/2016 Johnson D10/69
D777,589 S * 1/2017 Wojciechowski D10/69
2005/0252016 A1 11/2005 Helda et al.
2008/0282562 A1 11/2008 Allemand

* cited by examiner



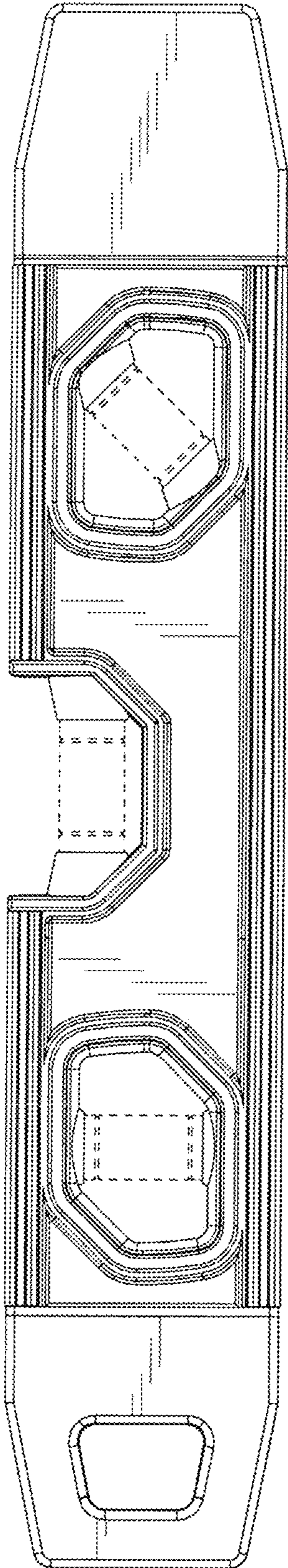


FIG. 2

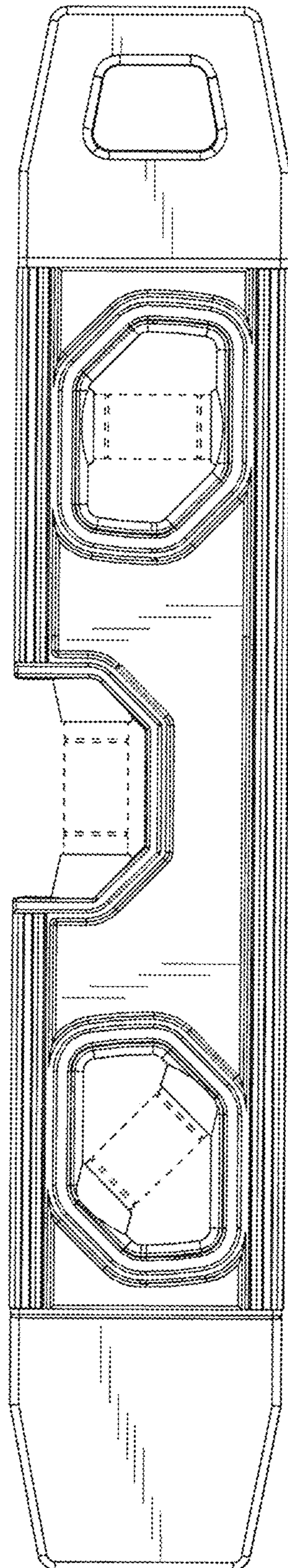


FIG. 3

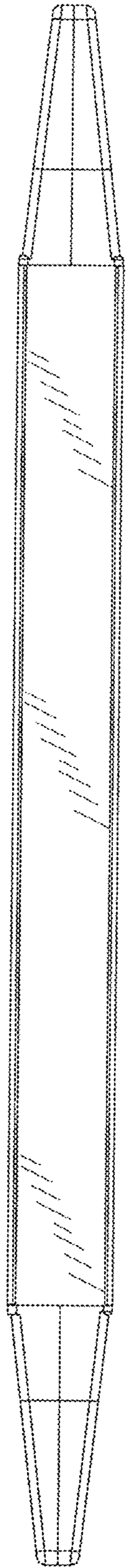


FIG. 4

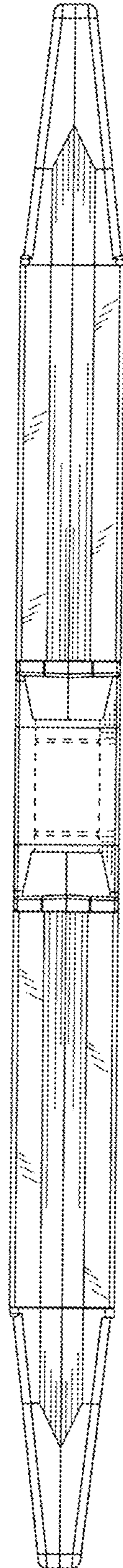


FIG. 5

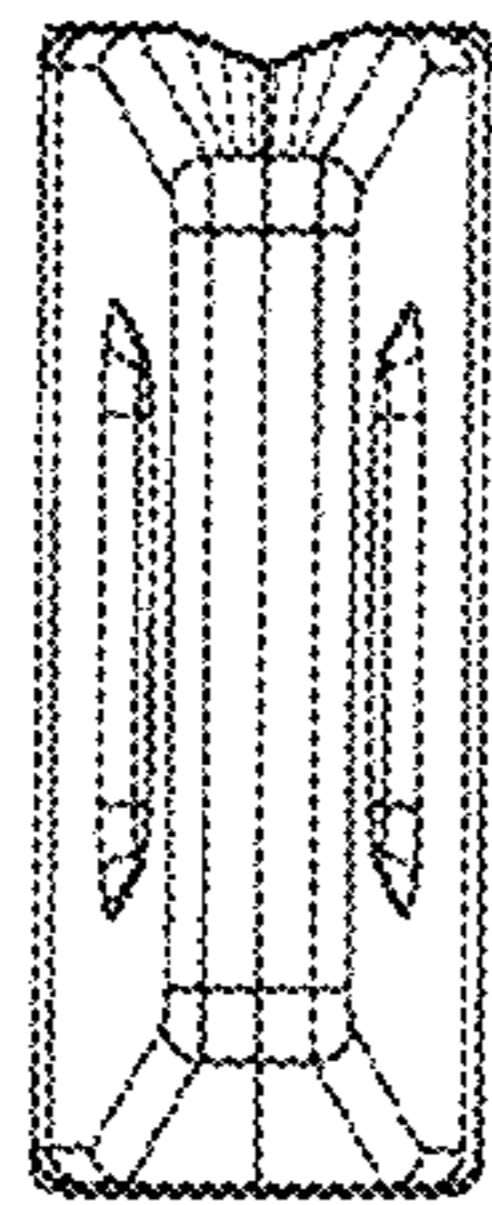


FIG. 6

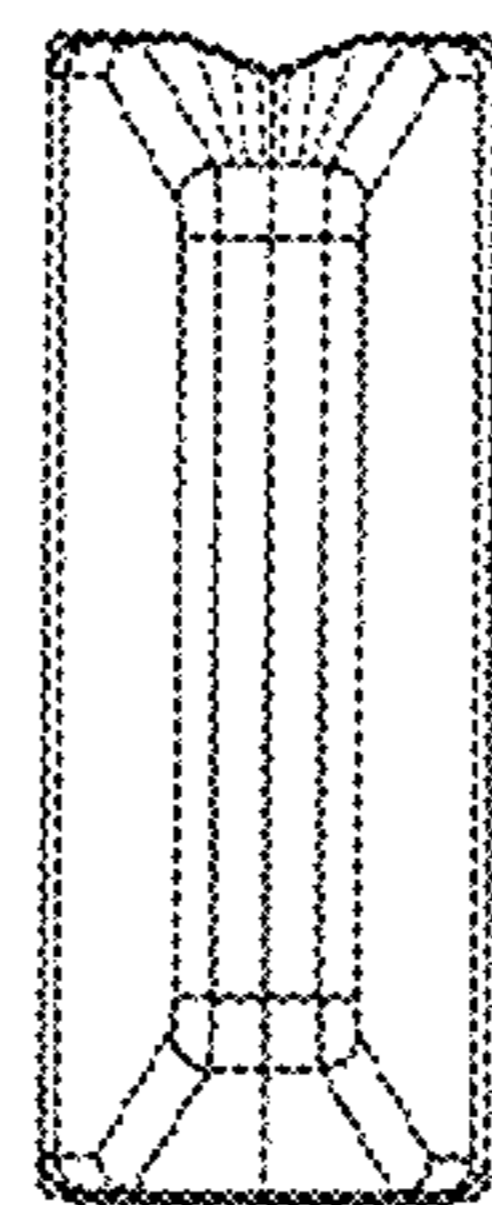


FIG. 7