



US00D800582S

(12) **United States Design Patent** (10) **Patent No.:** **US D800,582 S**
Nishimura et al. (45) **Date of Patent:** **** Oct. 24, 2017**

(54) **TEMPERATURE SENSOR**

(71) Applicant: **Kawasaki Jukogyo Kabushiki Kaisha**,
Kobe-shi, Hyogo (JP)

(72) Inventors: **Takehiro Nishimura**, Kobe (JP); **Yoshi Sato**, Kobe (JP); **Masayuki Mitsue**, Akashi (JP); **Teruhisa Nakaoka**, Akashi (JP)

(73) Assignee: **Kawasaki Jukogyo Kabushiki Kaisha**,
Kobe-shi, Hyogo (JP)

(**) Term: **15 Years**

(21) Appl. No.: **29/560,637**

(22) Filed: **Apr. 8, 2016**

(30) **Foreign Application Priority Data**

Oct. 8, 2015 (JP) 2015-022160

(51) **LOC (10) Cl.** **10-04**

(52) **U.S. Cl.**
USPC **D10/50**

(58) **Field of Classification Search**
USPC D10/49, 50
CPC . F23N 5/20; F23N 5/203; F23N 5/206; F23N 5/18; F23N 5/184; F23N 5/187; F23N 5/22; F23N 2025/12; F23N 2041/02; F24F 11/00; F24F 11/0012; F24F 11/0009; F24F 11/001; F24F 2011/0057; F24F 2011/0073; F24F 2011/0091

See application file for complete search history.

(56) **References Cited**

U.S. PATENT DOCUMENTS

D783,422 S * 4/2017 Kashimoto D10/50
D786,714 S * 5/2017 Repp D10/50

FOREIGN PATENT DOCUMENTS

JP 877024 S 9/1993
JP 879058 S 9/1993
JP 896477 S 4/1994

* cited by examiner

Primary Examiner — Antoine D Davis

(74) *Attorney, Agent, or Firm* — Alleman Hall Creasman & Tuttle LLP

(57) **CLAIM**

The ornamental design for a temperature sensor as shown and described.

DESCRIPTION

FIG. 1 is a front view of an ornamental design for a temperature sensor showing our new design, the rear view being a mirror image of the front view.

FIG. 2 is a top view of the temperature sensor of FIG. 1.

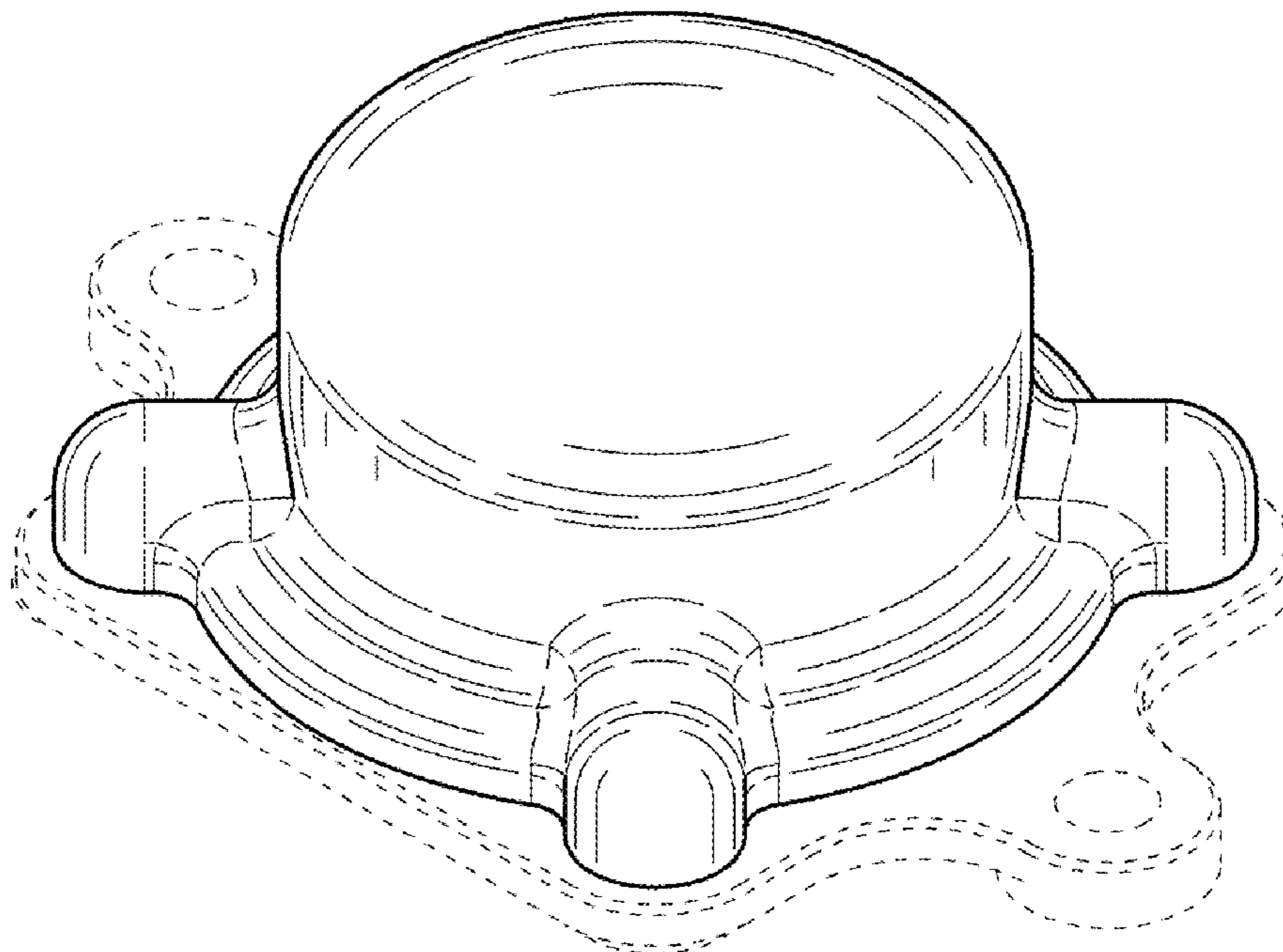
FIG. 3 is a bottom view of the temperature sensor of FIG. 1.

FIG. 4 is a left side view of the temperature sensor of FIG. 1, the right side view being a mirror image of the left side view; and,

FIG. 5 is a perspective view of the temperature sensor of FIG. 1.

The dashed lines illustrate a mounting bracket to which the temperature sensor is attached and form no part of the claimed design.

1 Claim, 3 Drawing Sheets



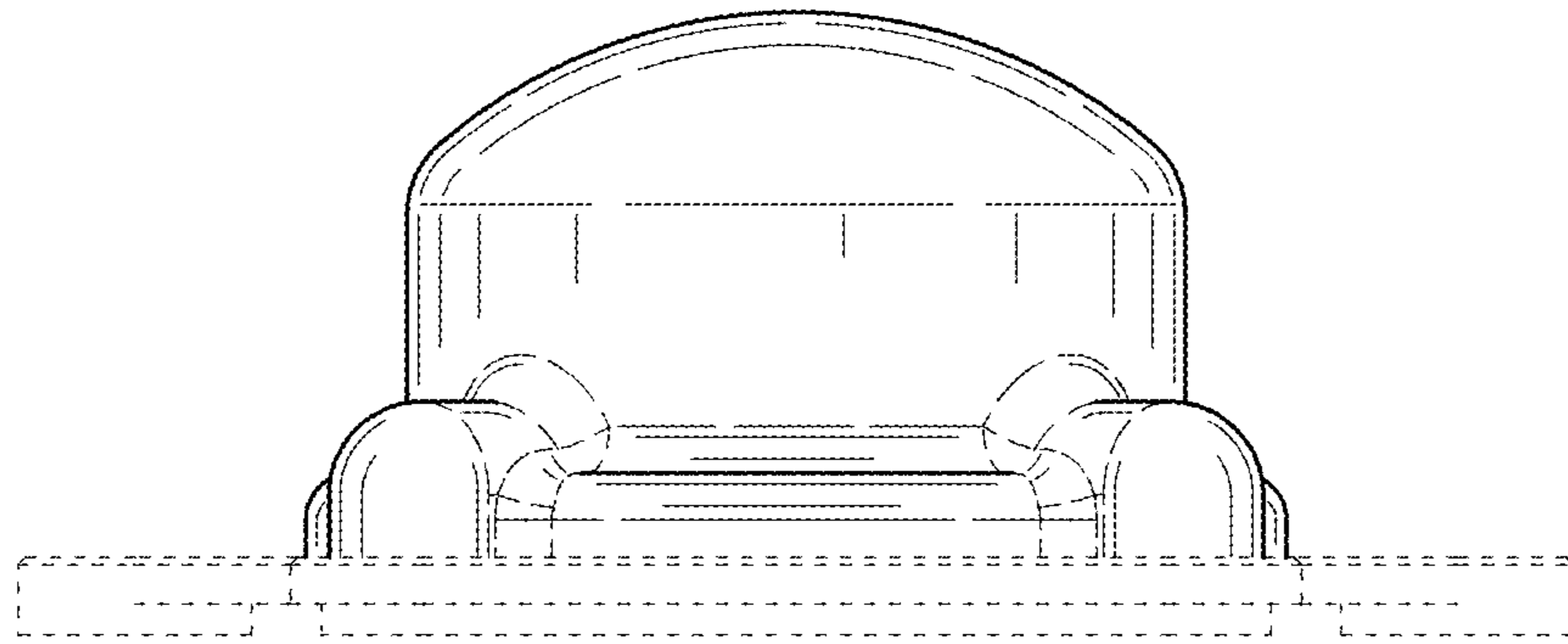


FIG. 1

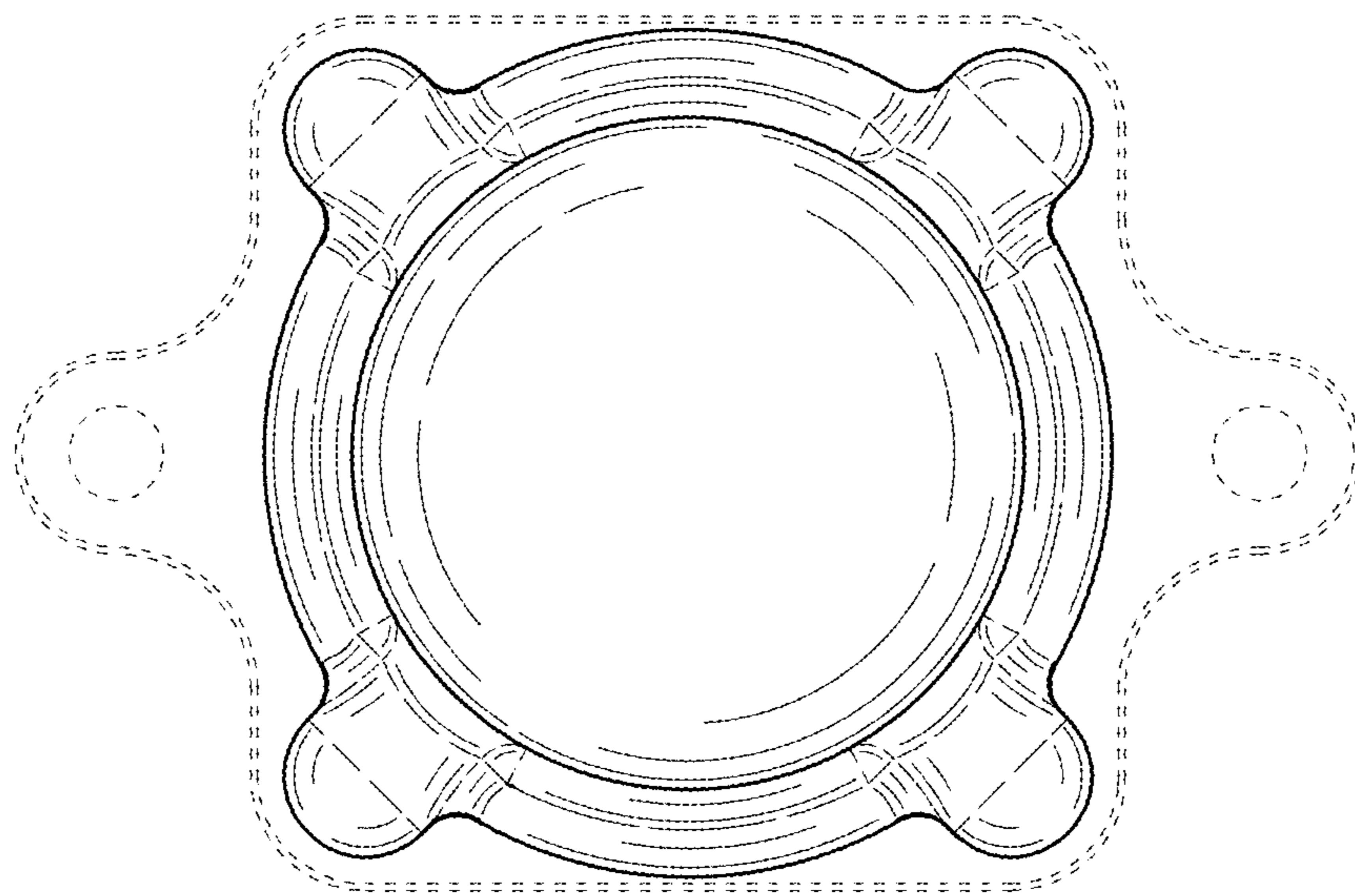


FIG. 2

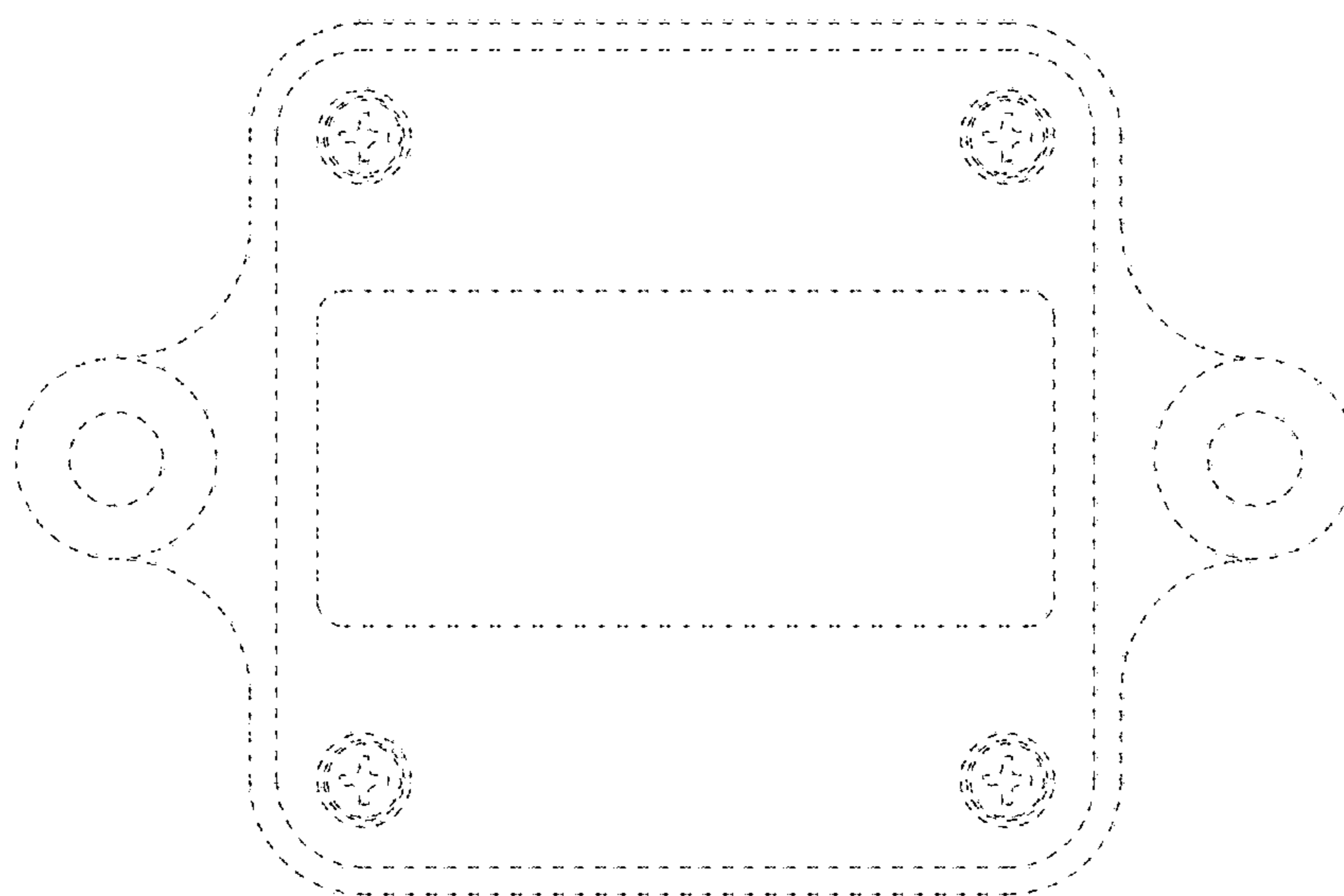


FIG. 3

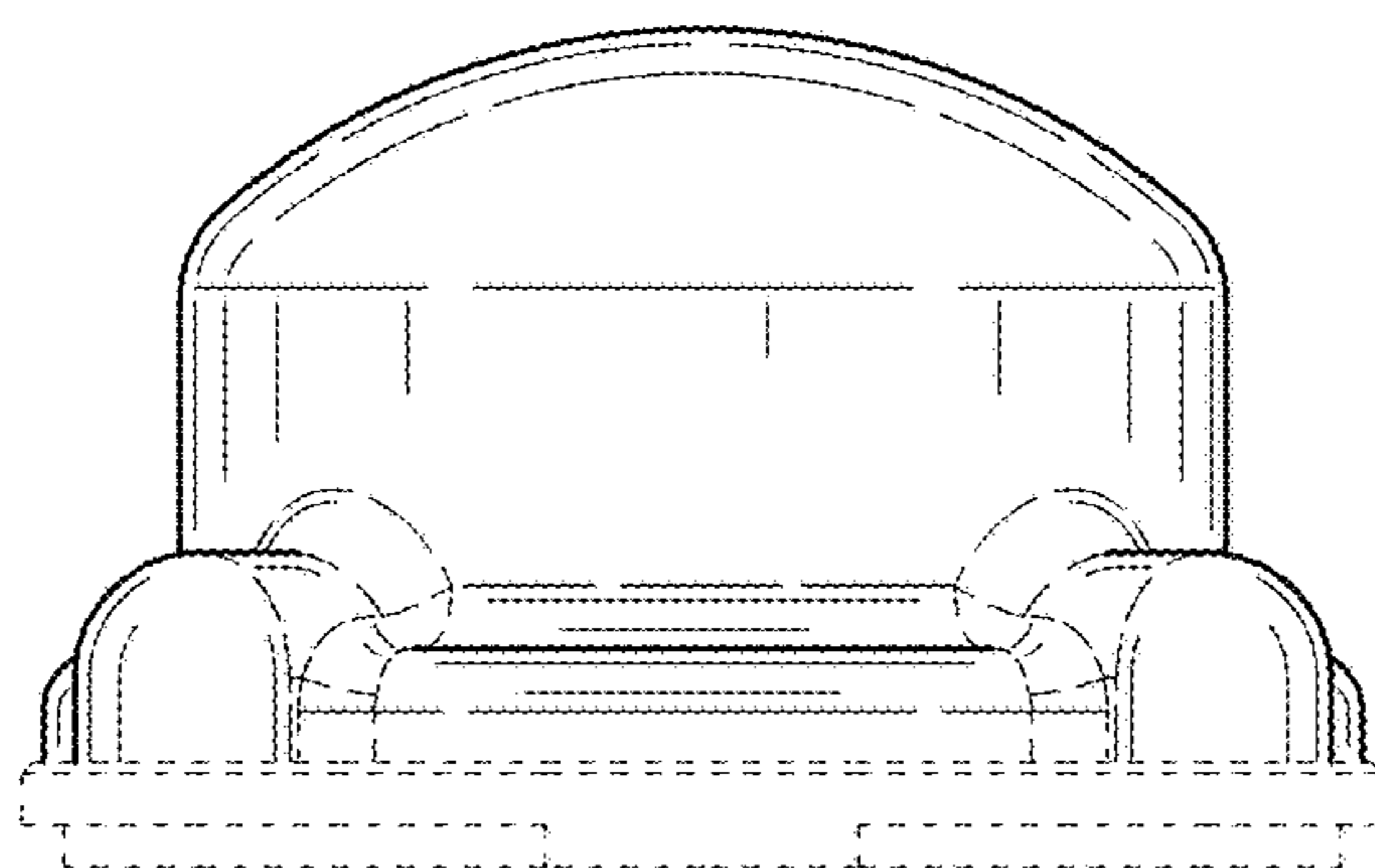


FIG. 4

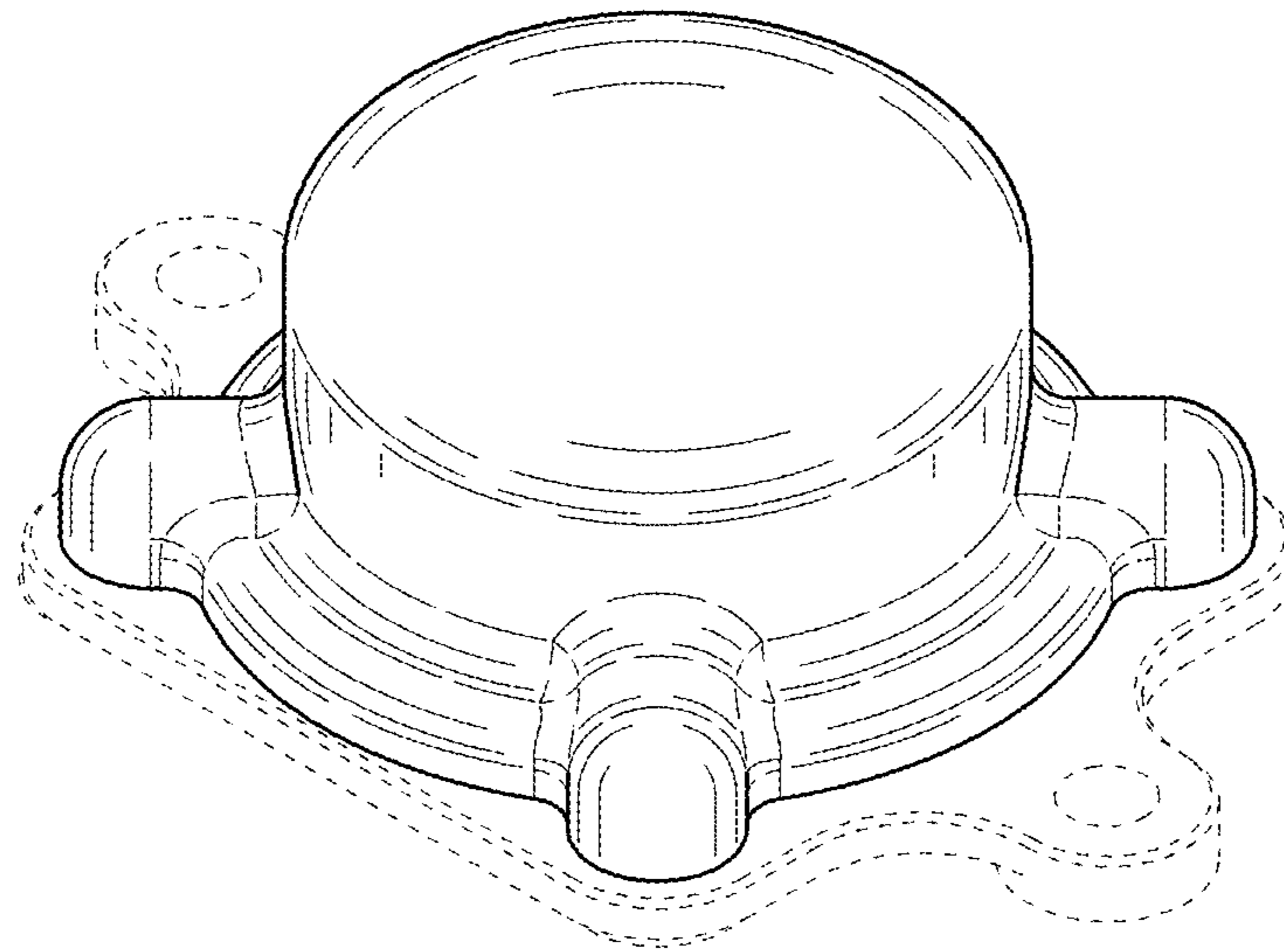


FIG. 5