



US00D800581S

(12) **United States Design Patent**
Valzan

(10) **Patent No.:** **US D800,581 S**

(45) **Date of Patent:** **** Oct. 24, 2017**

(54) **WATCHCASE**

(71) Applicant: **HARRY WINSTON SA,**
Plan-les-Ouates (CH)

(72) Inventor: **Sophie Valzan,** Paris (FR)

(73) Assignee: **HARRY WINSTON SA,**
Plan-les-Ouates (CH)

(**) Term: **15 Years**

(21) Appl. No.: **29/574,870**

(22) Filed: **Aug. 19, 2016**

(30) **Foreign Application Priority Data**

Feb. 19, 2016 (WO) DM/089 418

(51) **LOC (10) Cl.** **10-02**

(52) **U.S. Cl.**
USPC **D10/30**

(58) **Field of Classification Search**

USPC D10/1-39, 54, 65, 70, 122-132

CPC G04B 17/00; G04B 17/02; G04B 17/005;

G04B 17/285; G04B 37/00; G04B 37/00;

G04B 37/0058; G04B 45/00; G04B

45/02; G04B 45/038; G04B 45/0069;

G04B 45/0076; G04B 29/00

See application file for complete search history.

(56) **References Cited**

U.S. PATENT DOCUMENTS

D523,358 S * 6/2006 Lillegard D10/39

D545,695 S * 7/2007 Laucella D10/31

D588,943 S * 3/2009 Fasciano D10/38

D650,708 S * 12/2011 Laucella D10/39

D710,714 S * 8/2014 Monachon D10/39

D727,178 S * 4/2015 Abdourahim D10/39

D729,077 S * 5/2015 Kamilindi D10/39

D743,277 S * 11/2015 Riviere D10/125

D758,213 S * 6/2016 Candamil D10/32

D766,745 S * 9/2016 Abdourahim D10/30

D769,738 S * 10/2016 Dominguez D10/30

* cited by examiner

Primary Examiner — Sheryl Lane

Assistant Examiner — Calvin E Vansant

(74) *Attorney, Agent, or Firm* — Donald J. Ranft; Collen

(57) **CLAIM**

The ornamental design for a watchcase, as shown.

DESCRIPTION

FIG. 1 is a front right perspective view of a watchcase showing my new design;

FIG. 2 is a rear right perspective view thereof;

FIG. 3 is a rear left perspective view thereof;

FIG. 4 is a front view thereof;

FIG. 5 is a rear view thereof;

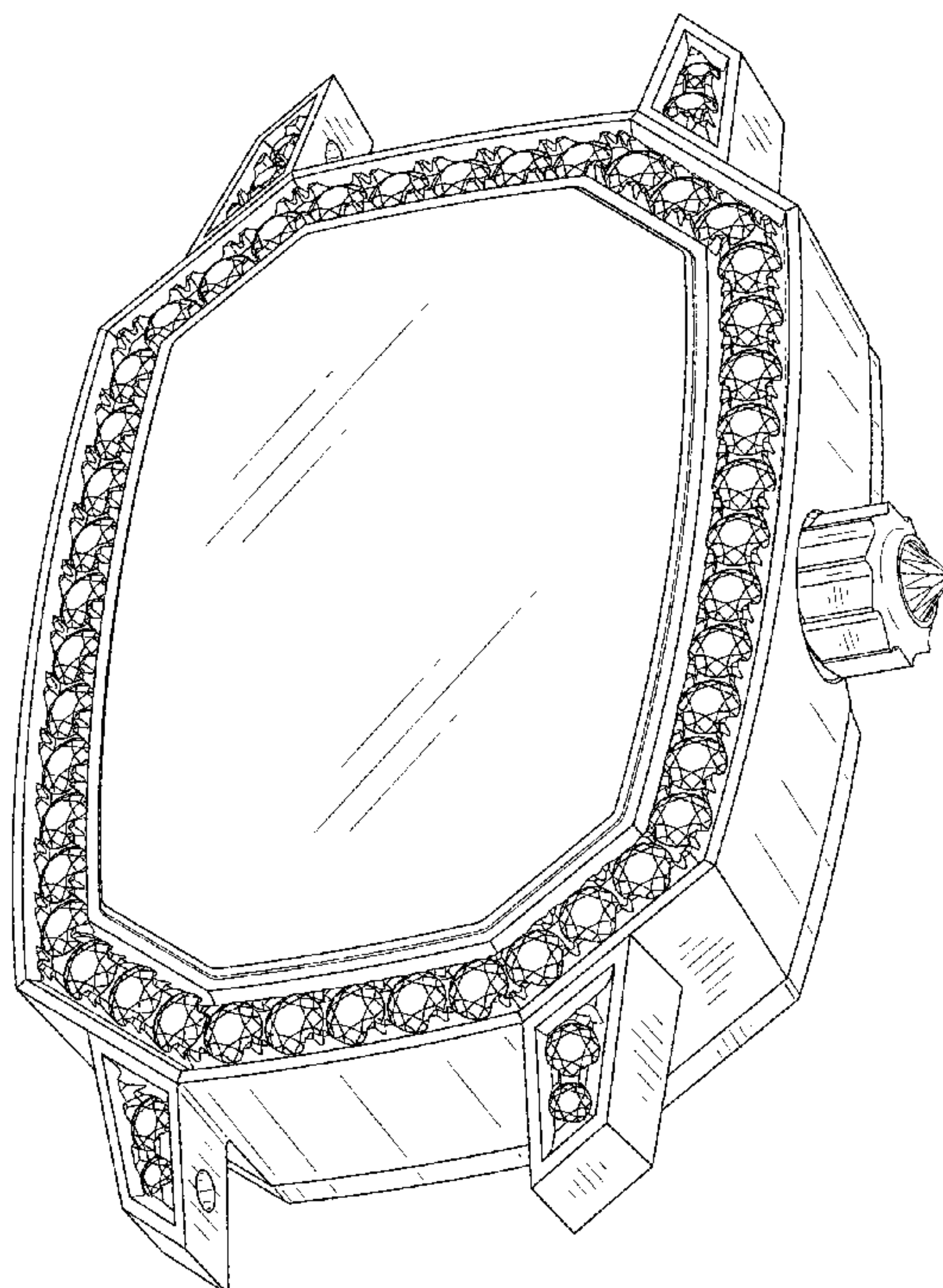
FIG. 6 is a left side view thereof;

FIG. 7 is a right side view thereof;

FIG. 8 is a top view thereof; and,

FIG. 9 is a bottom view thereof.

1 Claim, 7 Drawing Sheets



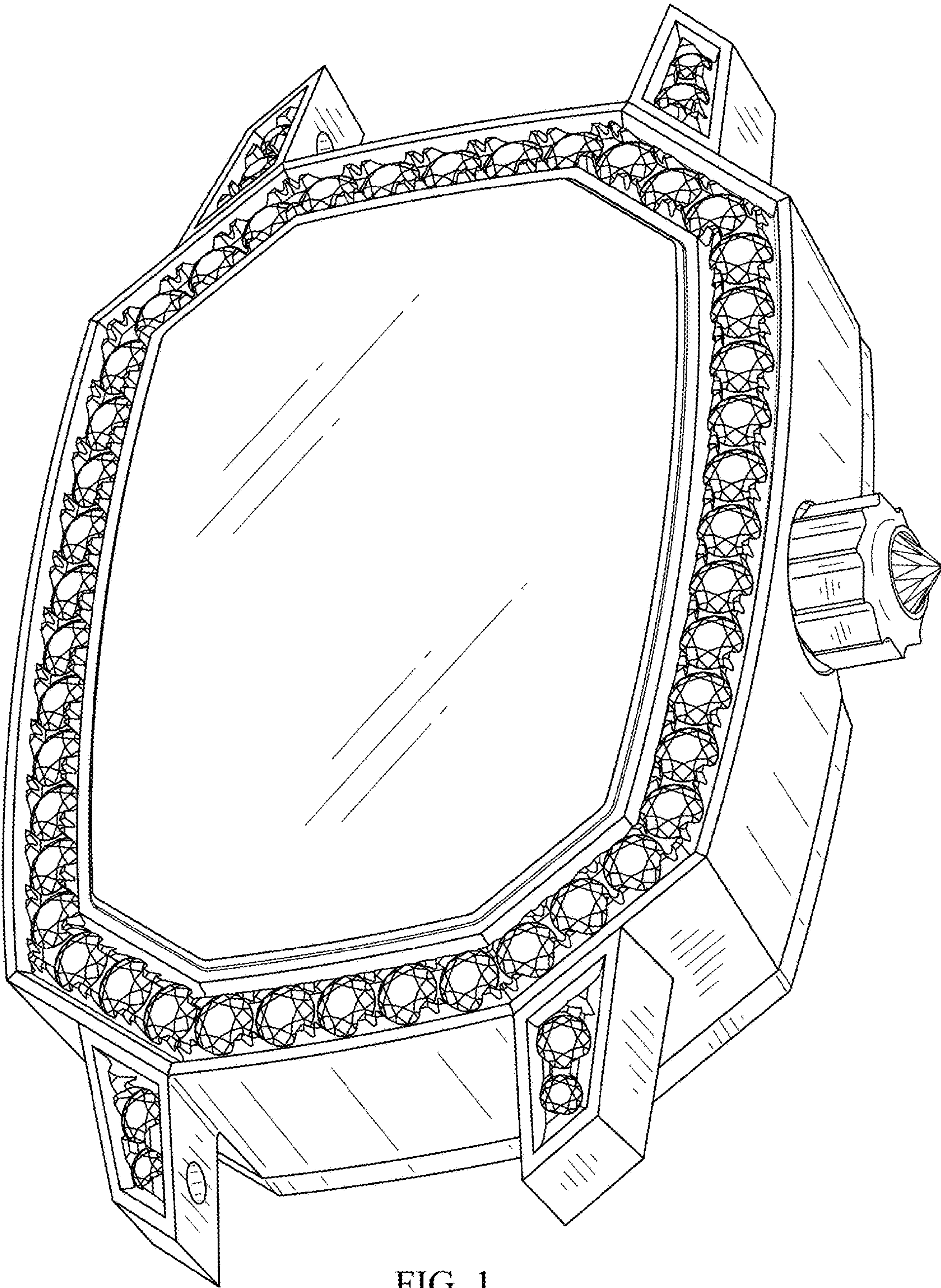


FIG. 1

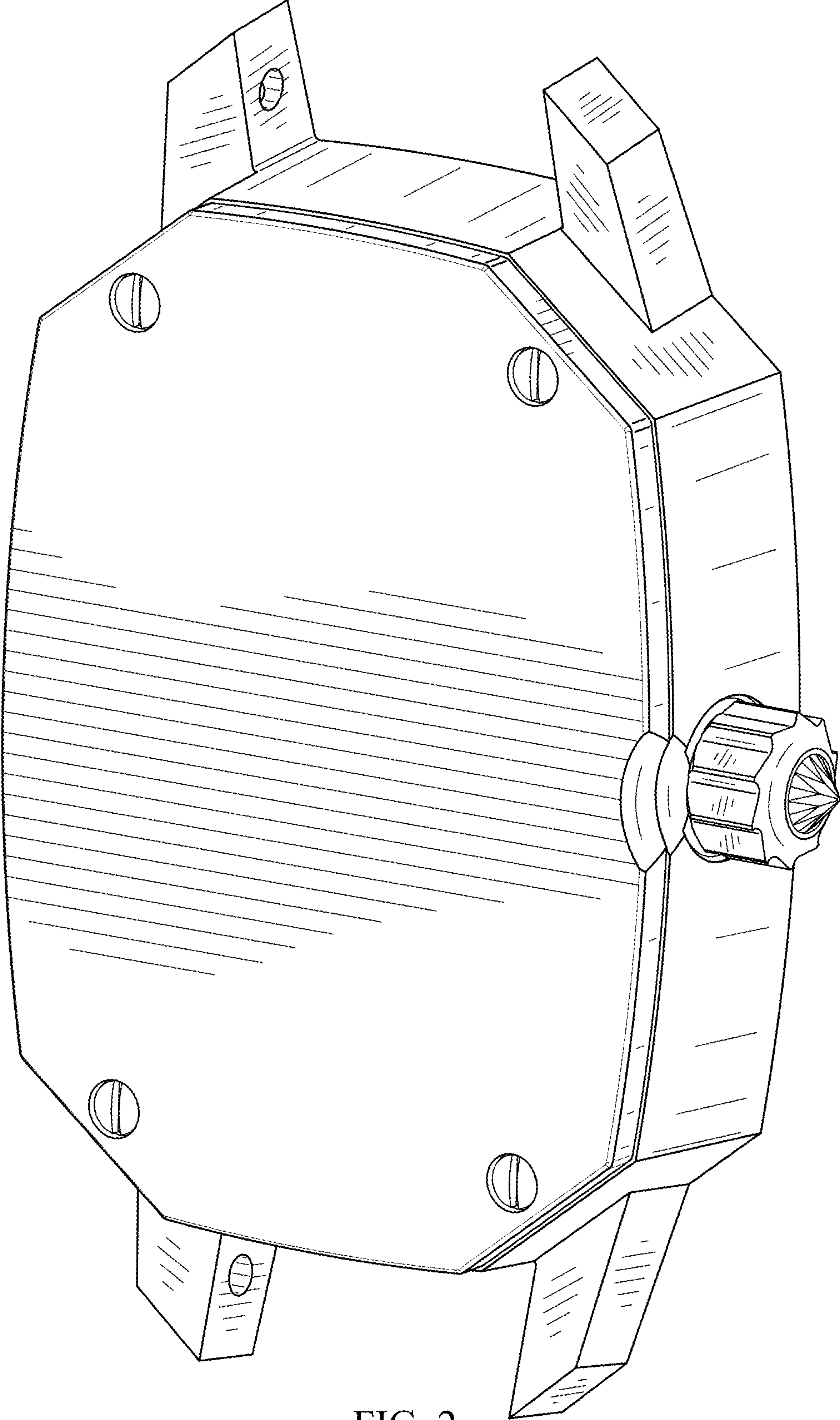


FIG. 2

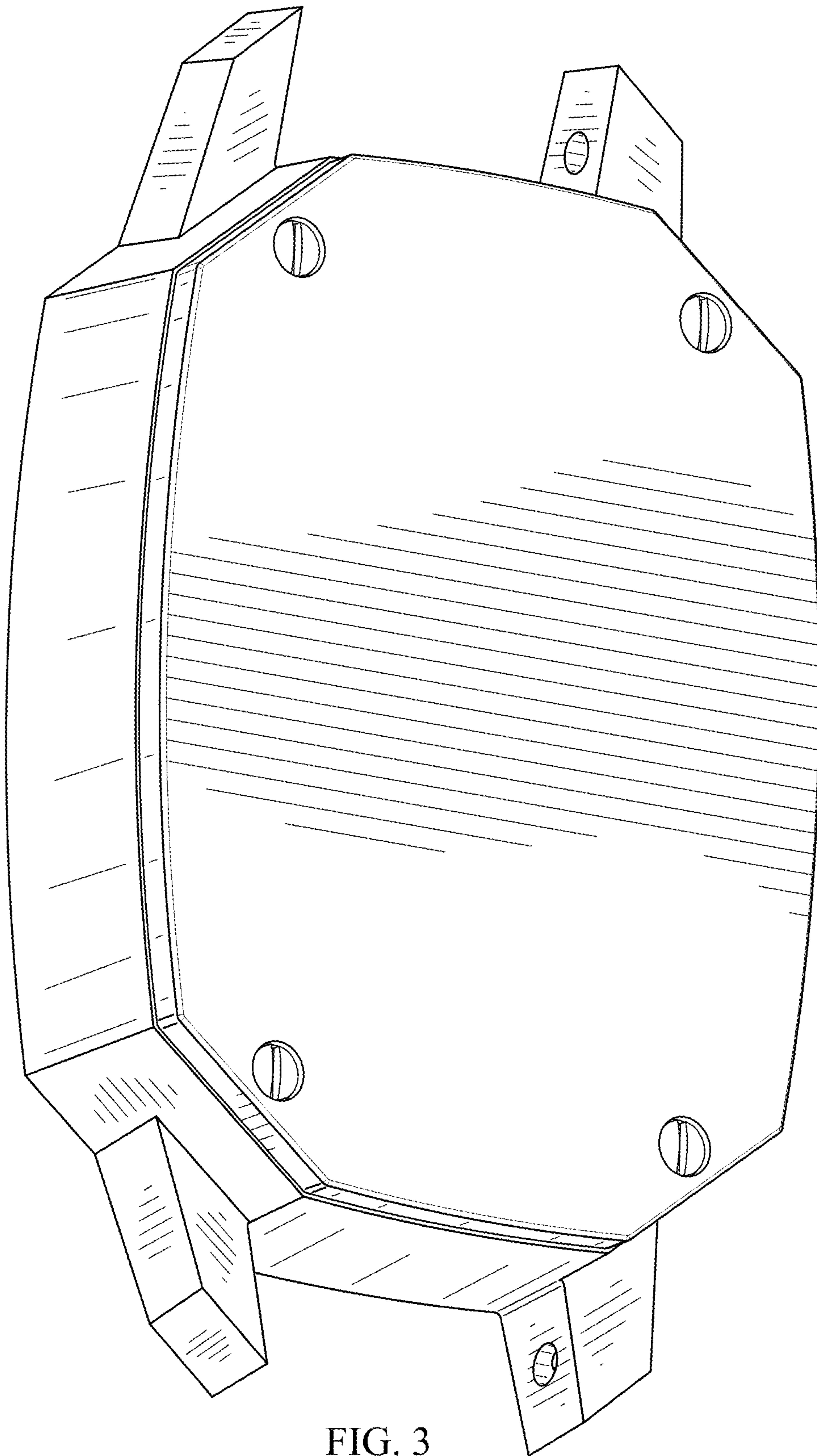


FIG. 3

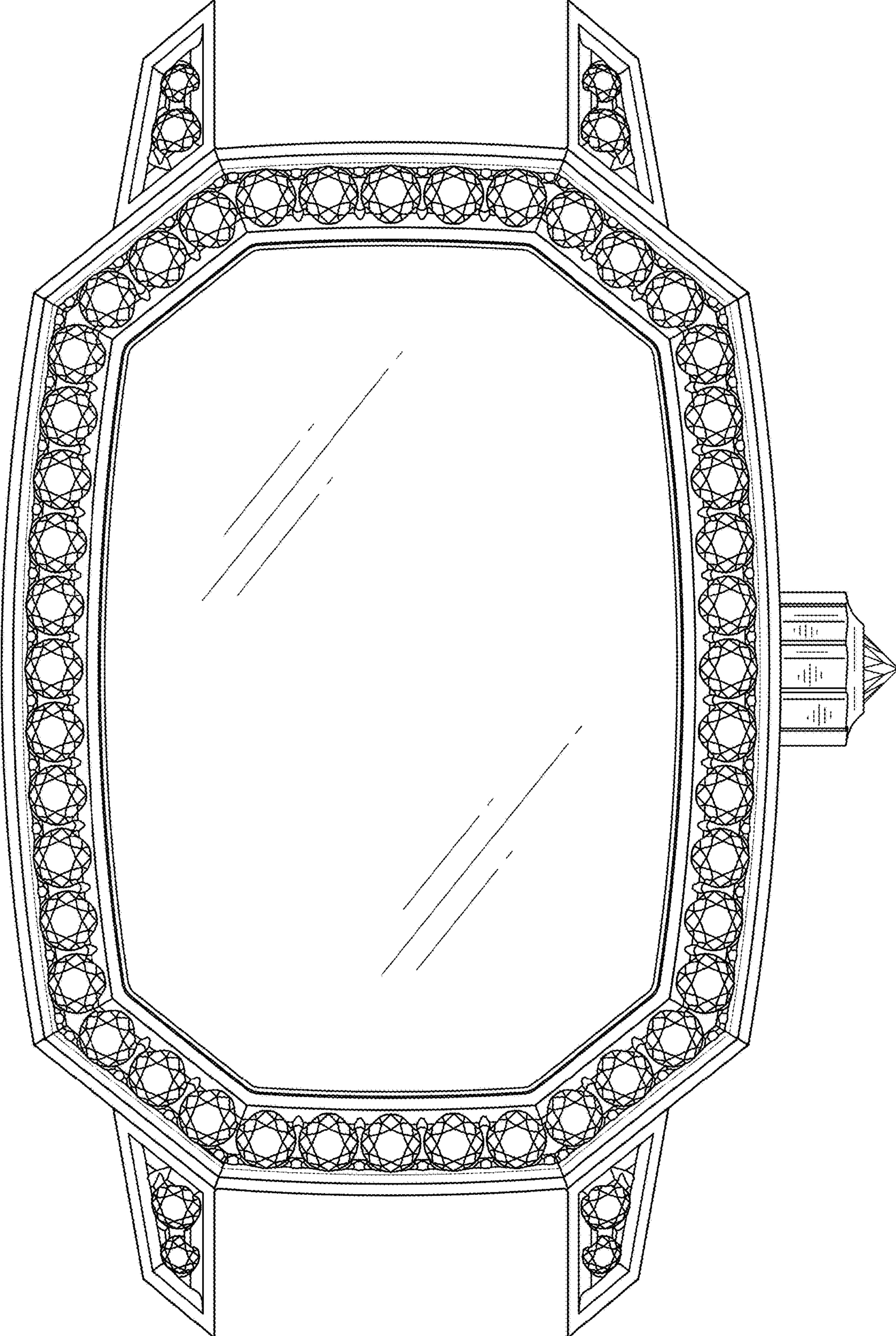


FIG. 4

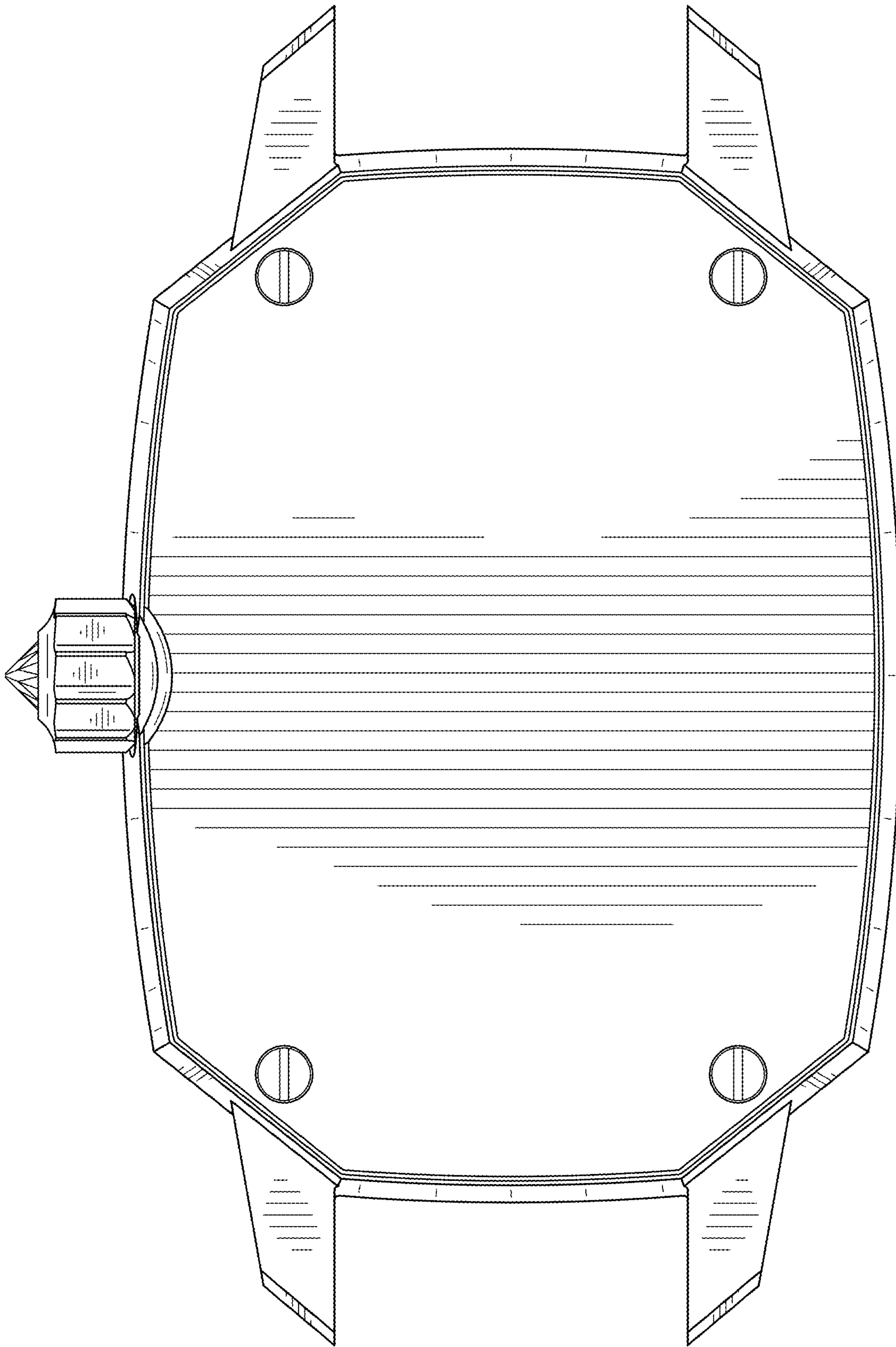


FIG. 5

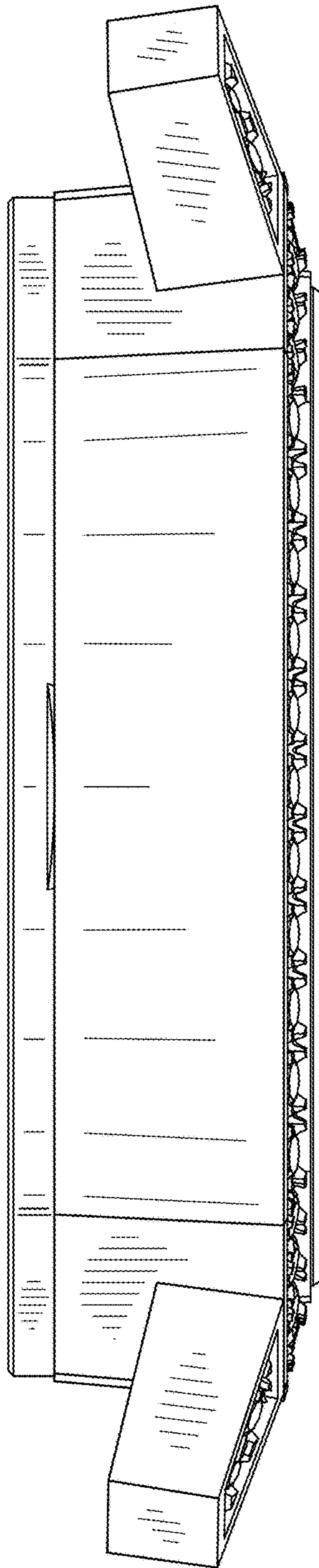


FIG. 6

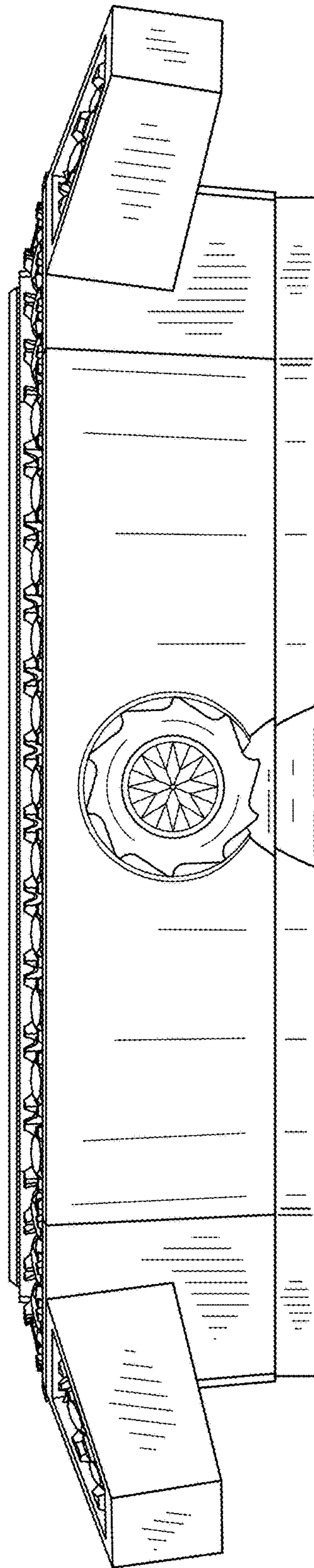


FIG. 7

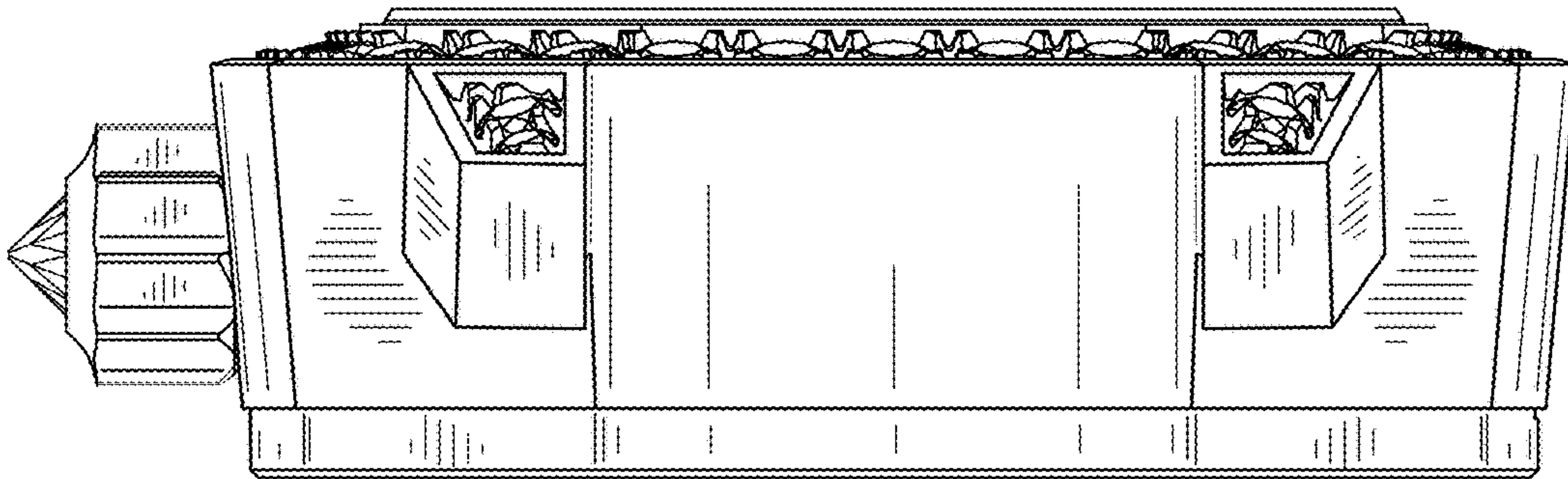


FIG. 8

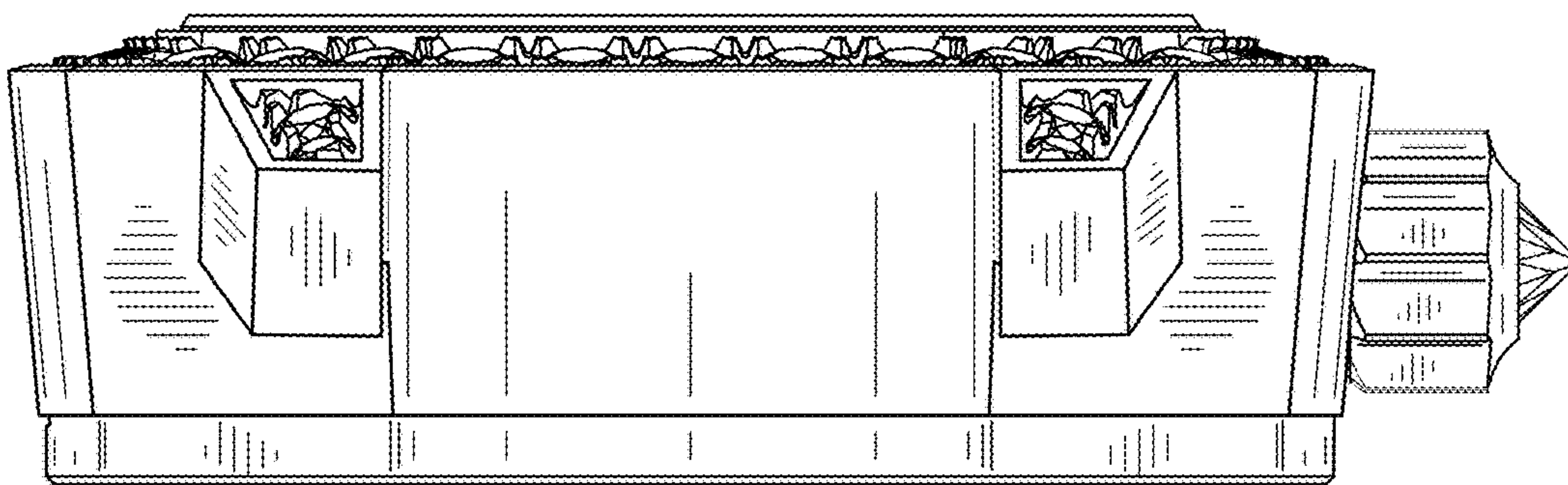


FIG. 9