



US00D800580S

(12) **United States Design Patent**
Lasserre

(10) **Patent No.:** **US D800,580 S**

(45) **Date of Patent:** **** Oct. 24, 2017**

(54) **WATCHCASE**

6,335,906 B1 * 1/2002 Engelmann G04C 17/00

(71) Applicant: **HARRY WINSTON SA,**
Plan-les-Ouates (CH)

D555,516 S * 11/2007 Sugiura D10/31

D648,639 S * 11/2011 Mille D10/39

D677,176 S * 3/2013 Ruffieux D10/39

D705,084 S * 5/2014 Emmenegger D10/32

D717,760 S * 11/2014 Kim D10/38

D726,679 S * 4/2015 Kim D10/38

D752,045 S * 3/2016 Kim D10/38

D756,244 S * 5/2016 Bastian D10/132

D762,488 S * 8/2016 Kishino D10/128

D785,468 S * 5/2017 White D10/30

D786,705 S * 5/2017 Babcock D10/30

(72) Inventor: **Christophe Lasserre,** Geneva (CH)

(73) Assignee: **HARRY WINSTON SA,**
Plan-les-Ouates (CH)

(**) Term: **15 Years**

(21) Appl. No.: **29/574,122**

(22) Filed: **Aug. 12, 2016**

(30) **Foreign Application Priority Data**

Feb. 12, 2016 (WO) DM/089747

(51) **LOC (10) Cl.** **10-02**

(52) **U.S. Cl.**
USPC **D10/30**

(58) **Field of Classification Search**

USPC D10/1-39, 65, 70, 122-132

CPC G04B 17/00; G04B 17/02; G04B 17/005;

G04B 17/285; G04B 37/00; G04B 37/00;

G04B 37/0058; G04B 45/00; G04B

45/02; G04B 45/038; G04B 45/0069;

G04B 45/0076; G04B 29/00; G04B

19/268

See application file for complete search history.

(56) **References Cited**

U.S. PATENT DOCUMENTS

D378,666 S * 4/1997 Kojima D10/30

D423,951 S * 5/2000 Fichter D10/126

* cited by examiner

Primary Examiner — Sheryl Lane

Assistant Examiner — Calvin E Vansant

(74) *Attorney, Agent, or Firm* — Donald J. Ranft; Collen

(57) **CLAIM**

The ornamental design for a watchcase, as shown.

DESCRIPTION

FIG. 1 is a front right perspective view of a watchcase showing my new design;

FIG. 2 is a front left perspective view thereof;

FIG. 3 is a rear right perspective view thereof;

FIG. 4 is a top view thereof;

FIG. 5 is a bottom view thereof;

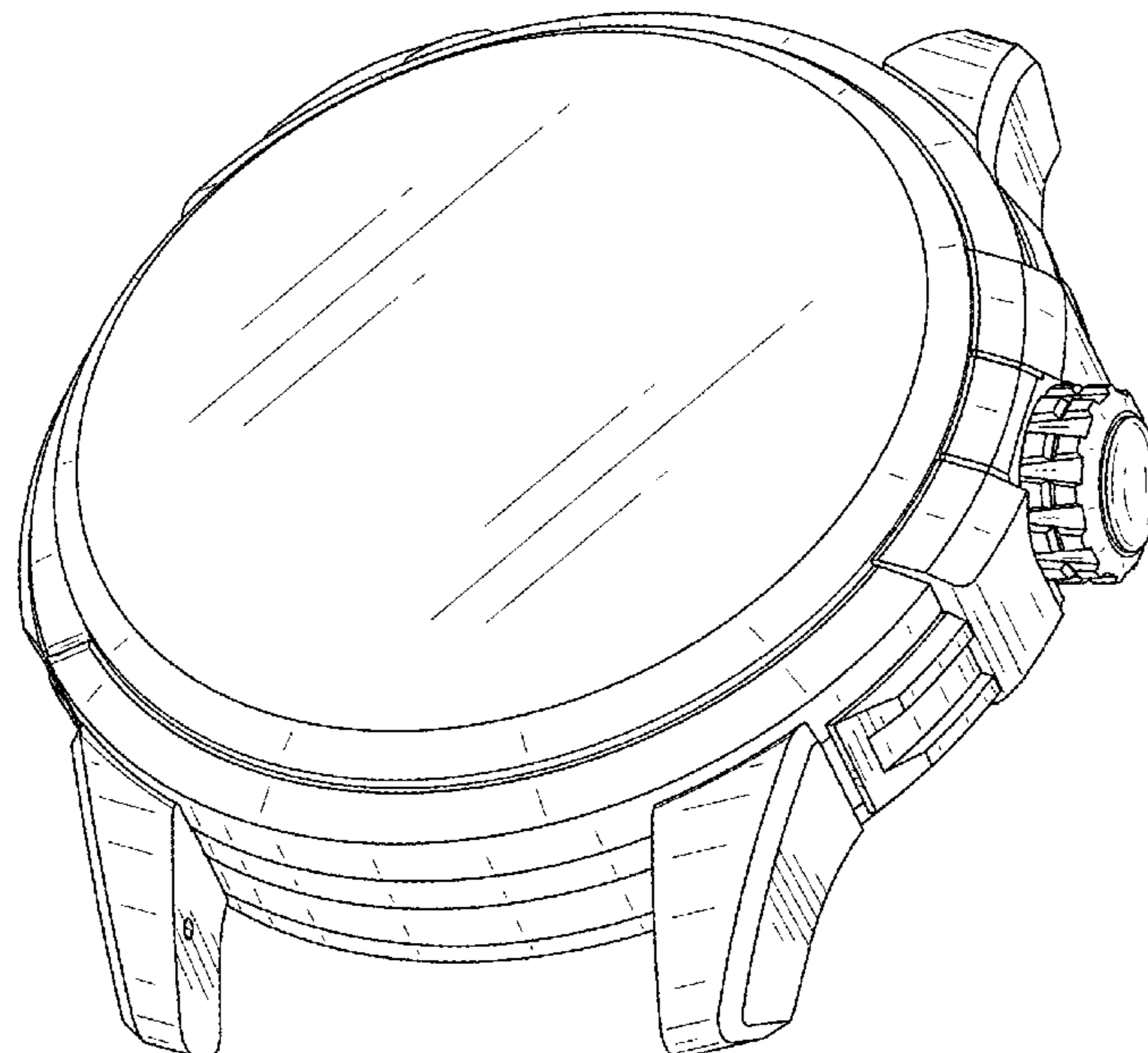
FIG. 6 is a left side view thereof;

FIG. 7 is a right side view thereof;

FIG. 8 is a front view thereof; and,

FIG. 9 is a rear view thereof.

1 Claim, 7 Drawing Sheets



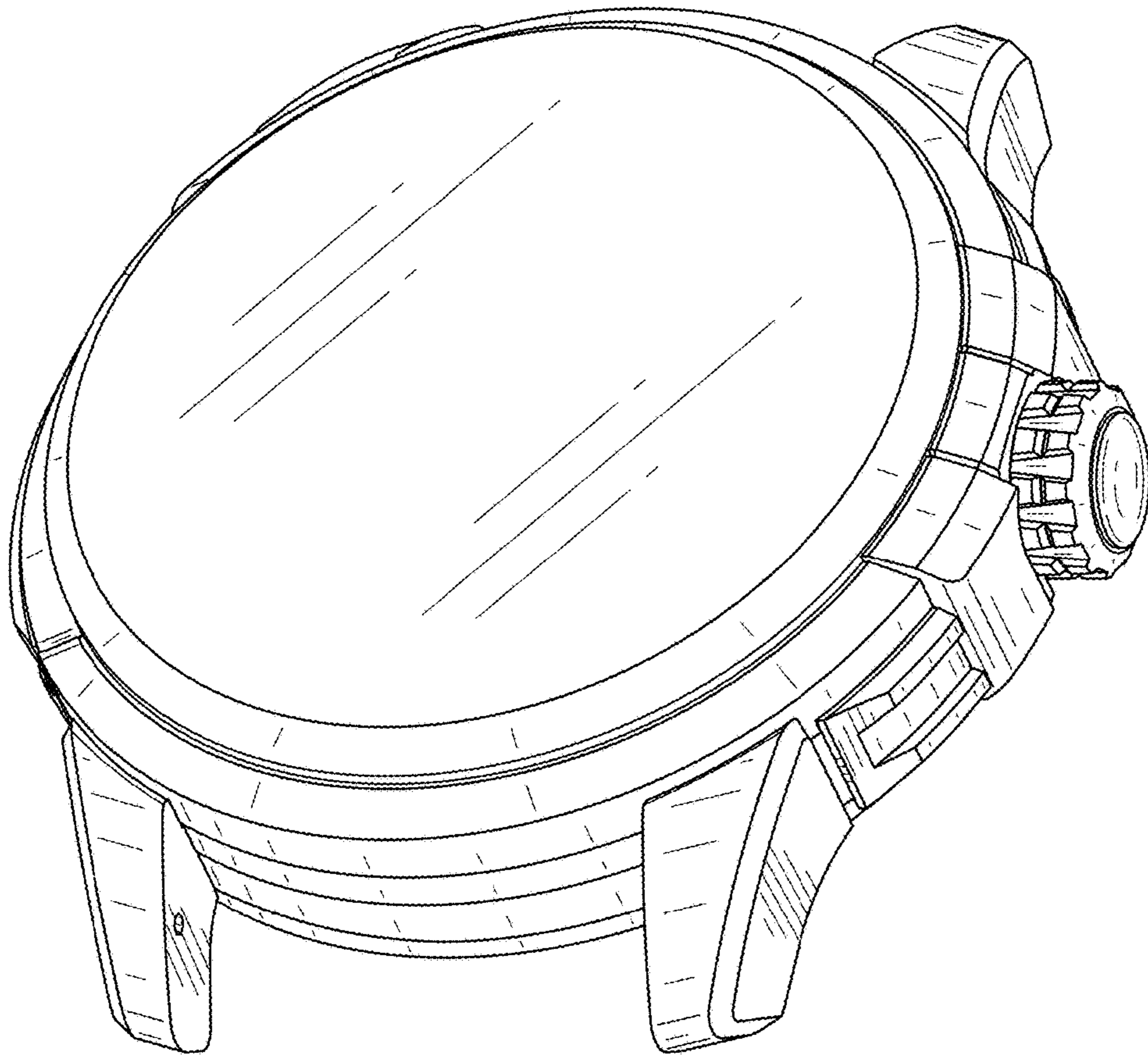


FIG. 1

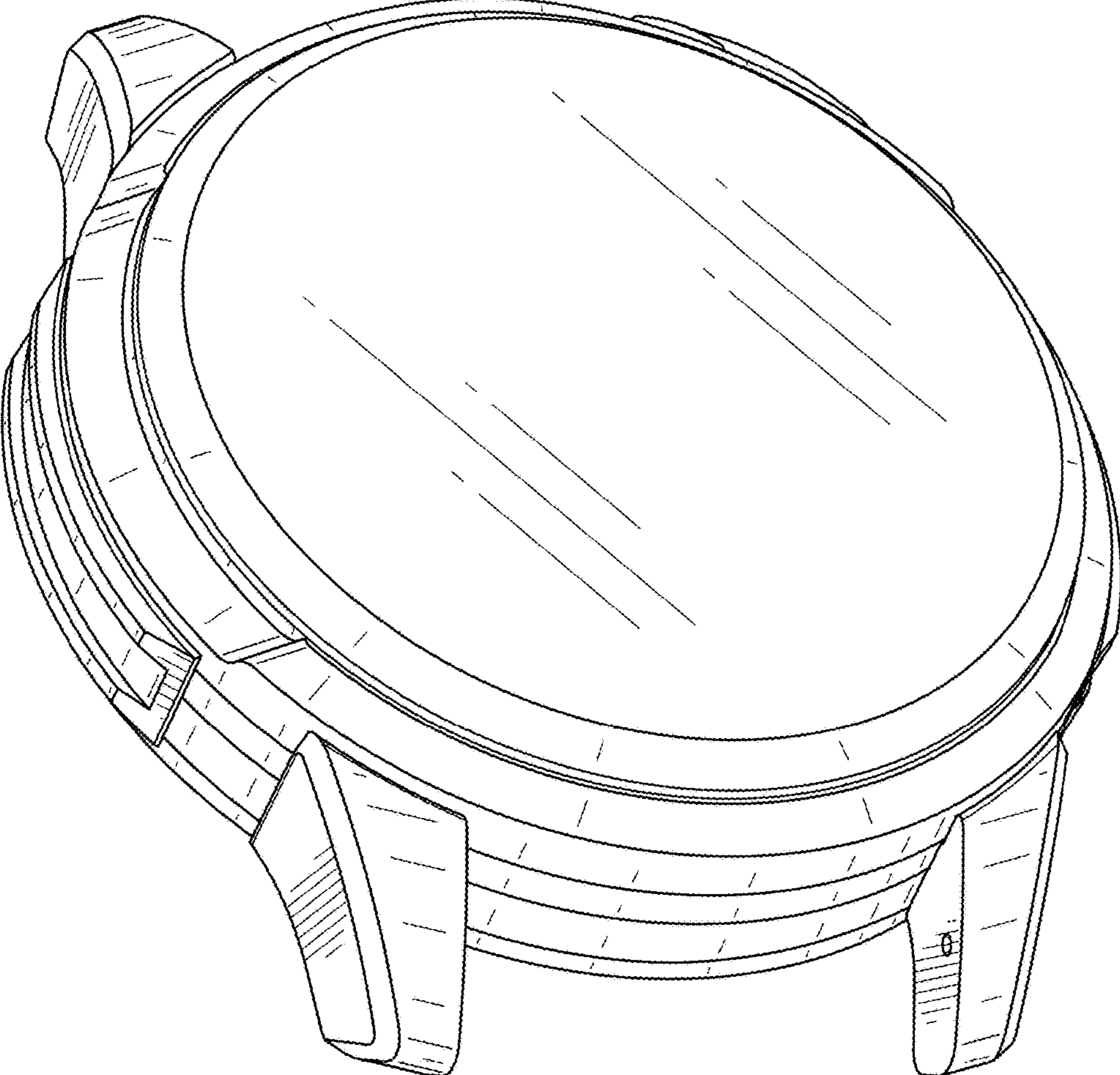


FIG. 2

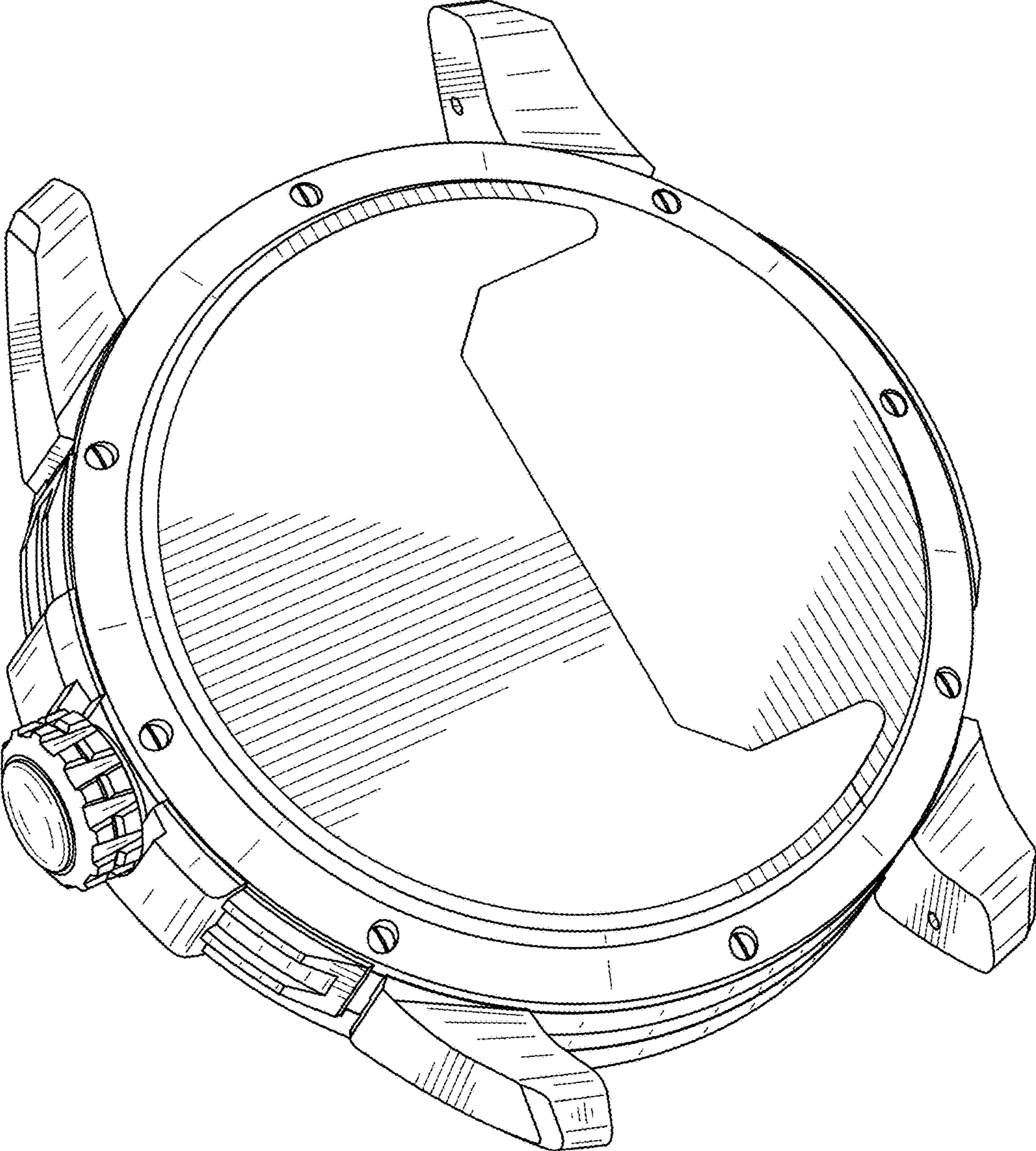


FIG. 3

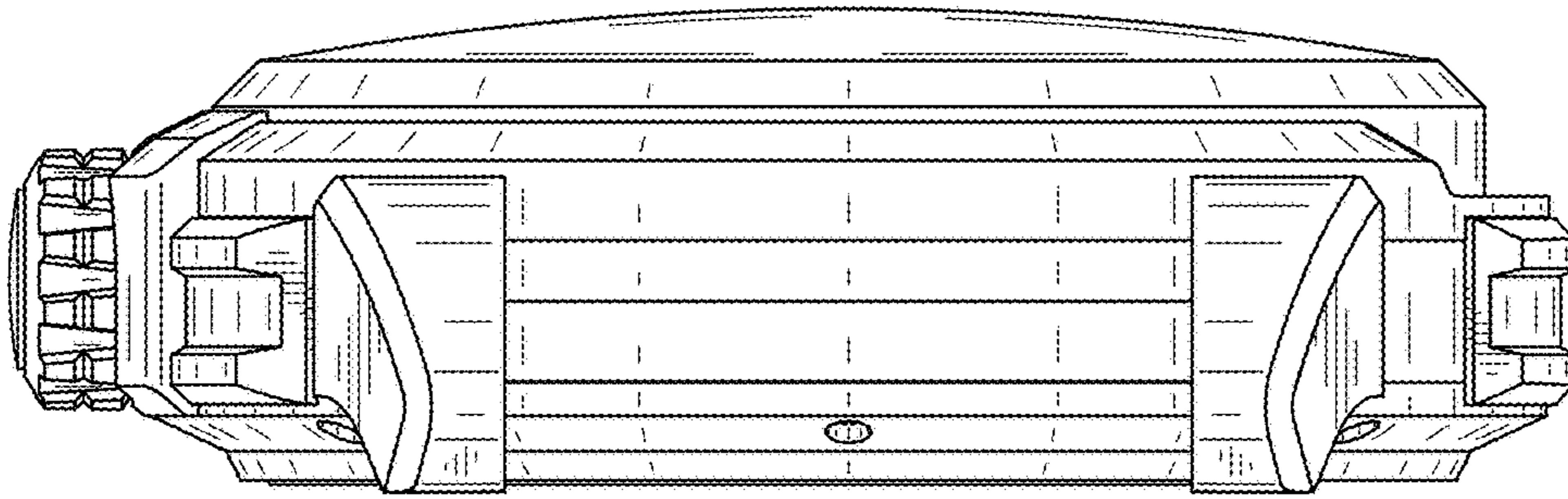


FIG. 4

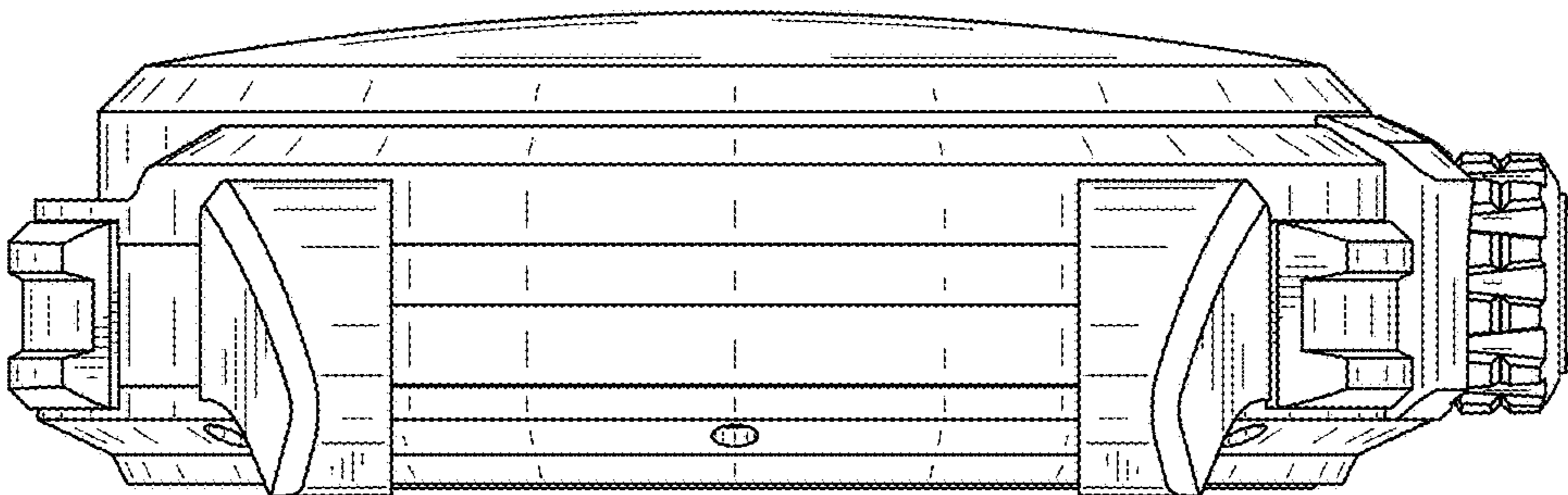


FIG. 5

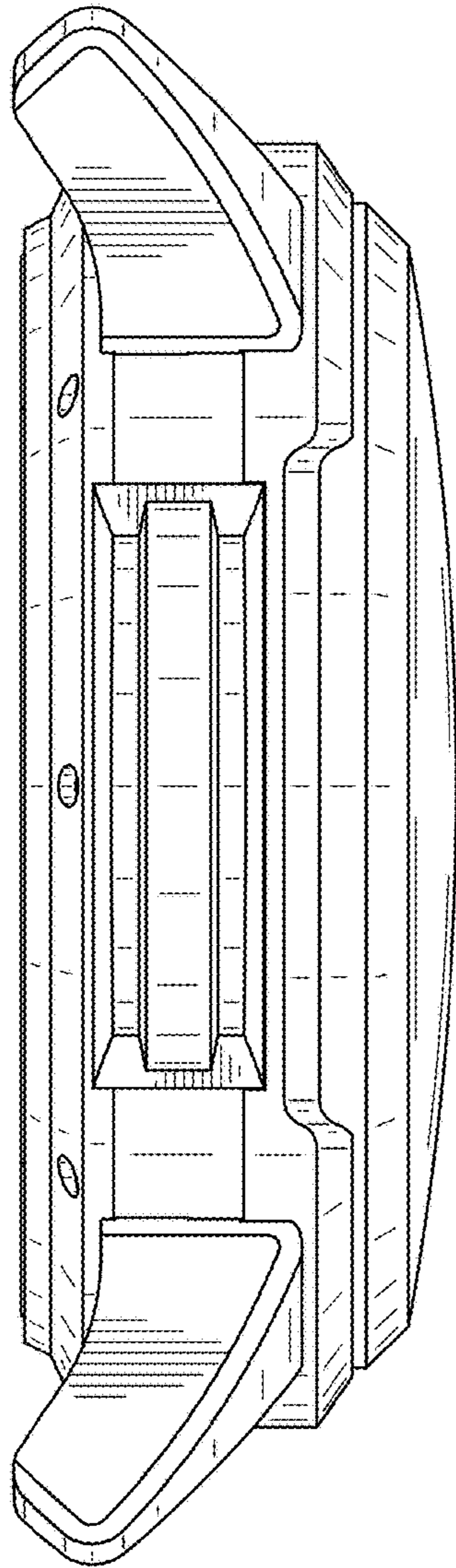


FIG. 6

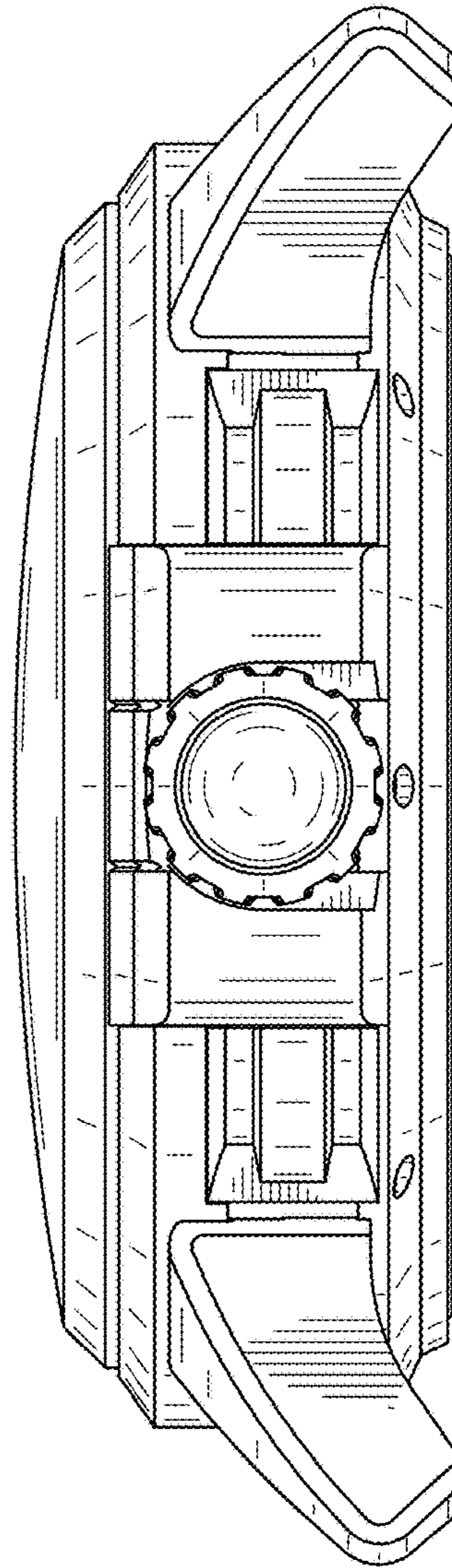


FIG. 7

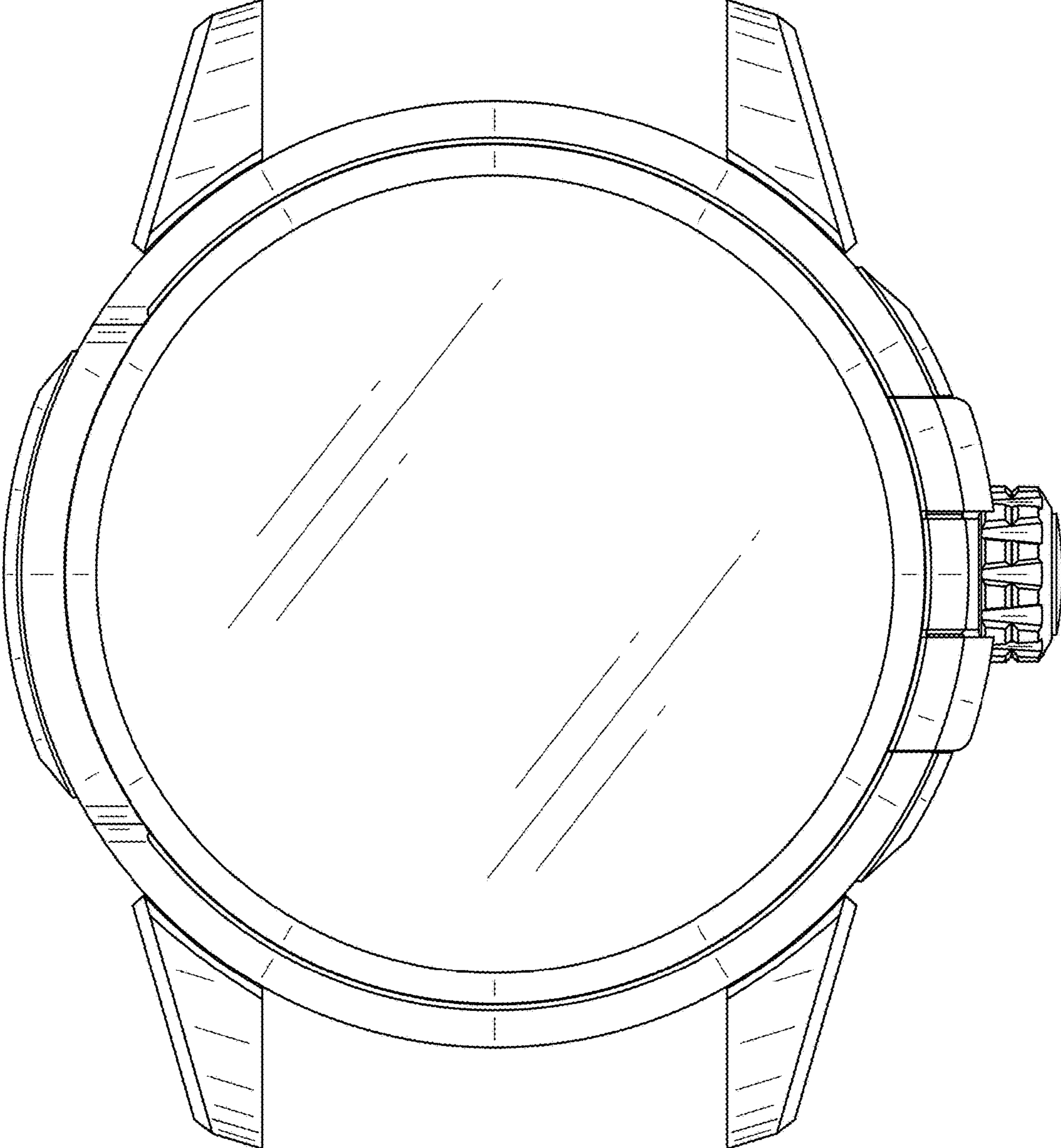


FIG. 8

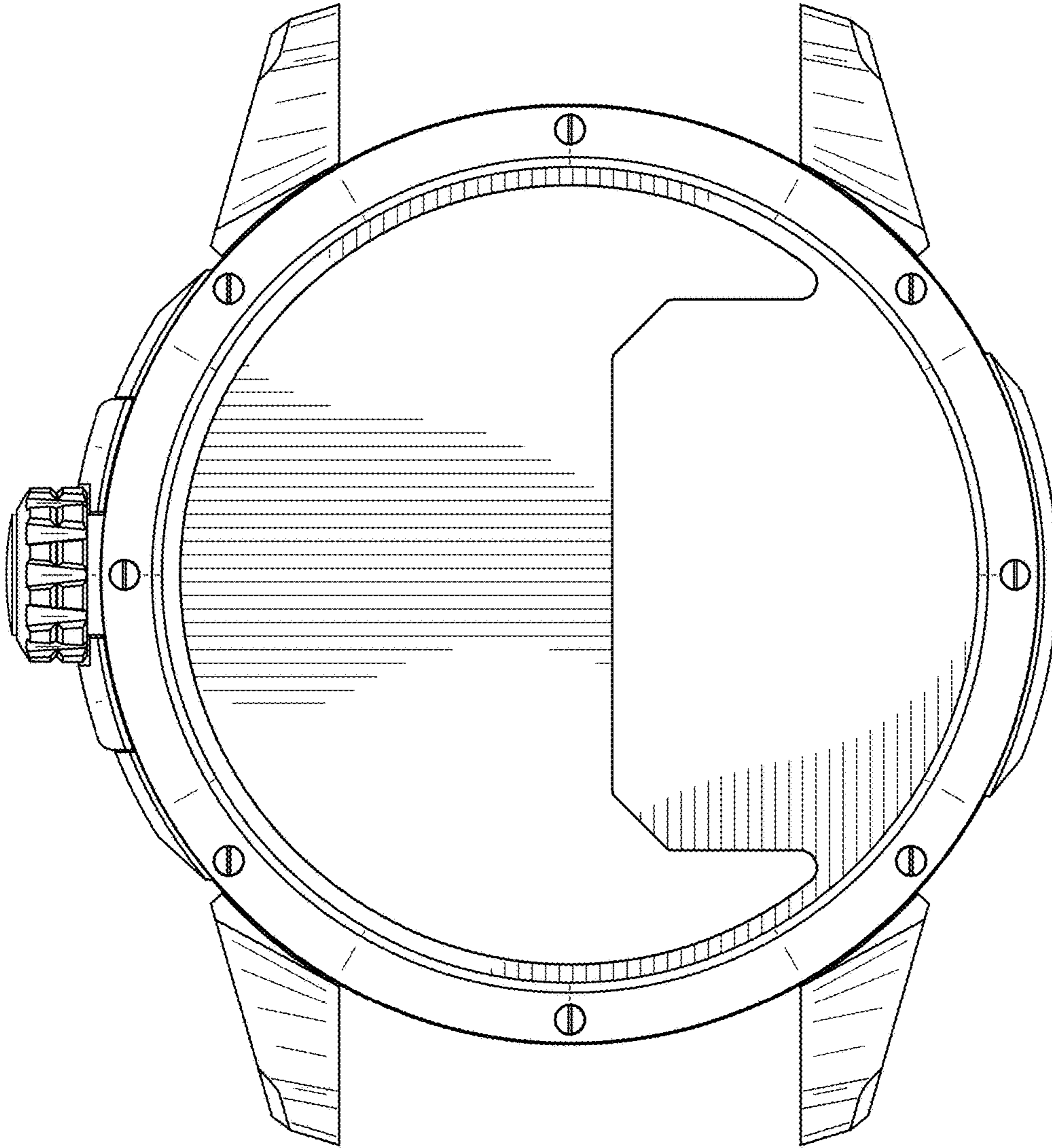


FIG. 9