

US00D800578S

(12) **United States Design Patent**  
**Behling**

(10) **Patent No.:** **US D800,578 S**

(45) **Date of Patent:** **\*\* Oct. 24, 2017**

- (54) **WATCH CASE WITH DIAL**
- (71) Applicant: **LVMH Swiss Manufactures SA**, La Chaux-de-Fonds (CH)
- (72) Inventor: **Christoph Behling**, London (GB)
- (73) Assignee: **LVMH SWISS MANUFACTURES SA**, La-Chaux-de-Fonds (CH)

- D724,464 S \* 3/2015 Behling ..... D10/126
- D724,962 S \* 3/2015 Vaptzarof ..... D10/39
- D736,655 S \* 8/2015 Monachon ..... D10/126
- D742,762 S \* 11/2015 Syoubayashi ..... D10/126
- D744,863 S \* 12/2015 Behling ..... D10/126
- D745,834 S \* 12/2015 Behling ..... D10/126
- D747,982 S \* 1/2016 Miodrag ..... D10/124

(Continued)

- (\*\*) Term: **15 Years**
- (21) Appl. No.: **29/539,056**
- (22) Filed: **Sep. 10, 2015**

(30) **Foreign Application Priority Data**

Mar. 16, 2015 (CH) ..... DM/085979

- (51) **LOC (10) Cl.** ..... **10-02**
- (52) **U.S. Cl.**  
USPC ..... **D10/30**

- (58) **Field of Classification Search**  
USPC ..... D10/1, 17, 22, 30–39, 122–132; D11/3, D11/12, 19, 21  
CPC ..... G04B 45/0069; G04B 45/0076; G04B 47/04; G04B 47/042; G04B 37/0008; G04B 19/06; G04F 7/08  
See application file for complete search history.

(56) **References Cited**

**U.S. PATENT DOCUMENTS**

- D438,473 S \* 3/2001 Dumas ..... D10/39
- D517,432 S \* 3/2006 Laucella ..... D10/39
- D573,488 S \* 7/2008 Sanz ..... D10/39
- D636,692 S \* 4/2011 Pospieszny ..... D10/129
- D655,630 S \* 3/2012 Behling ..... D10/38
- D677,176 S \* 3/2013 Ruffieux ..... D10/39
- D678,082 S \* 3/2013 Mille ..... D10/39
- D686,092 S \* 7/2013 Schoepfer ..... D10/39
- D692,322 S \* 10/2013 Behling ..... D10/39
- D724,446 S \* 3/2015 Favre ..... D10/124

**OTHER PUBLICATIONS**

TAG Heuer—50 Years of Carrera | posted at watch-insider.com Jun. 5, 2013 © Copyright 2017—Watch-Insider.com [online][site visited Jun. 8, 2017]. Available from Internet: <<http://www.watch-insider.com/reportages/tag-heuer-50-years-carrera/>> p. 25.\*

*Primary Examiner* — Katherine Glennon

(74) *Attorney, Agent, or Firm* — Brown Rudnick LLP; Mark S. Leonardo

(57) **CLAIM**

The ornamental design for a watch case with dial, as shown and described.

**DESCRIPTION**

FIG. 1 illustrates a perspective view of a watch case with dial employing an ornamental design in accordance with the present invention;

FIG. 2 illustrates a right side view of the watch case with dial of FIG. 1;

FIG. 3 illustrates a left side view of the watch case with dial of FIG. 1;

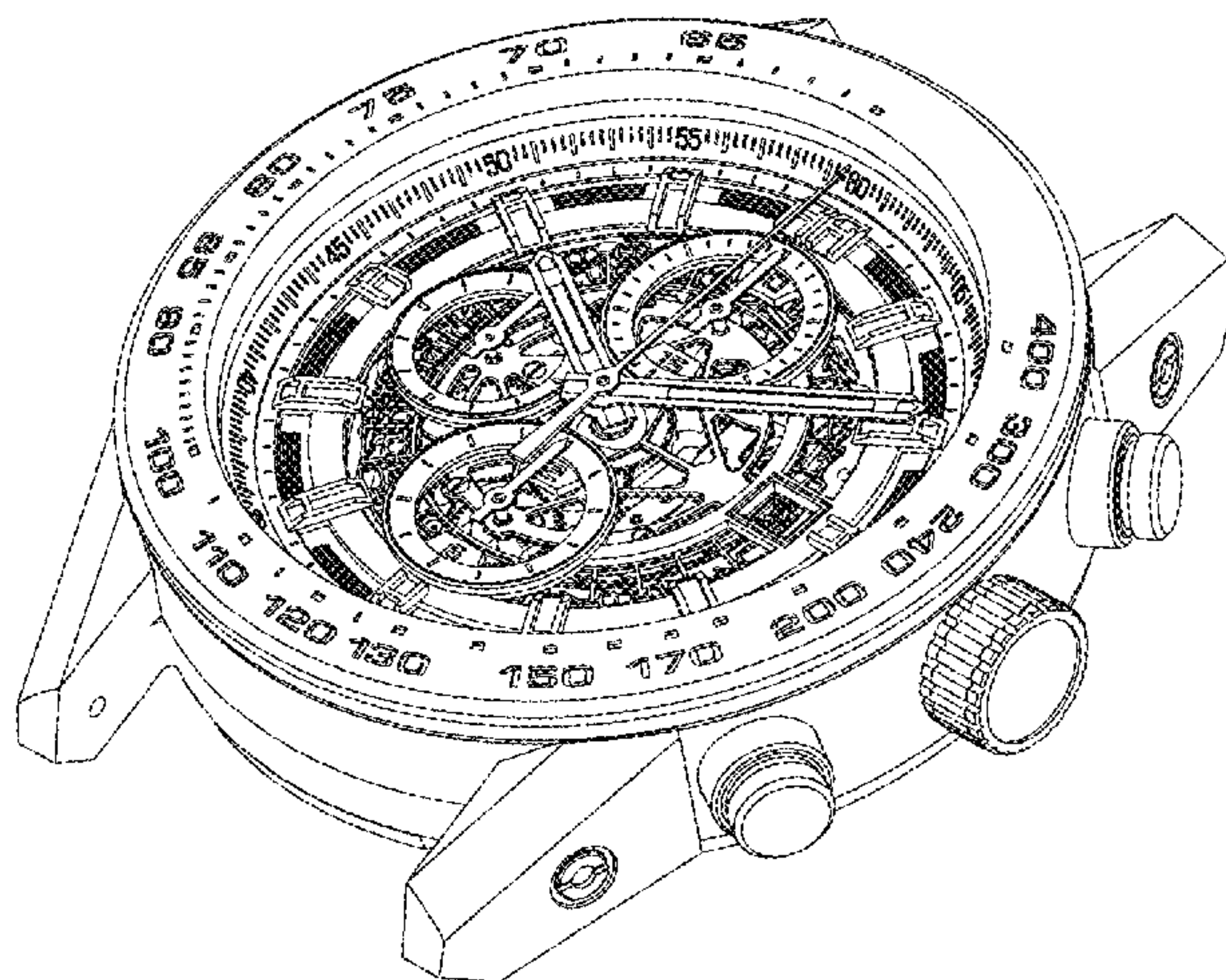
FIG. 4 illustrates a top view of the watch case with dial of FIG. 1;

FIG. 5 illustrates a bottom view of the watch case with dial of FIG. 1;

FIG. 6 illustrates a front view of the watch case with dial of FIG. 1; and,

FIG. 7 illustrates a back view of the watch case with dial of FIG. 1.

**1 Claim, 4 Drawing Sheets**



(56)

**References Cited**

U.S. PATENT DOCUMENTS

D756,245	S	*	5/2016	Mille	.....	D10/126
D769,736	S	*	10/2016	Behling	.....	D10/30
D769,762	S	*	10/2016	Behling	.....	D10/126
D772,728	S	*	11/2016	Nicotra	.....	D10/32
D781,722	S	*	3/2017	Behling	.....	D10/38
D784,829	S	*	4/2017	Kita	.....	D10/38
D786,704	S	*	5/2017	Behling	.....	D10/38
2015/0205263	A1	*	7/2015	Momose	.....	G04B 19/06 368/232

\* cited by examiner

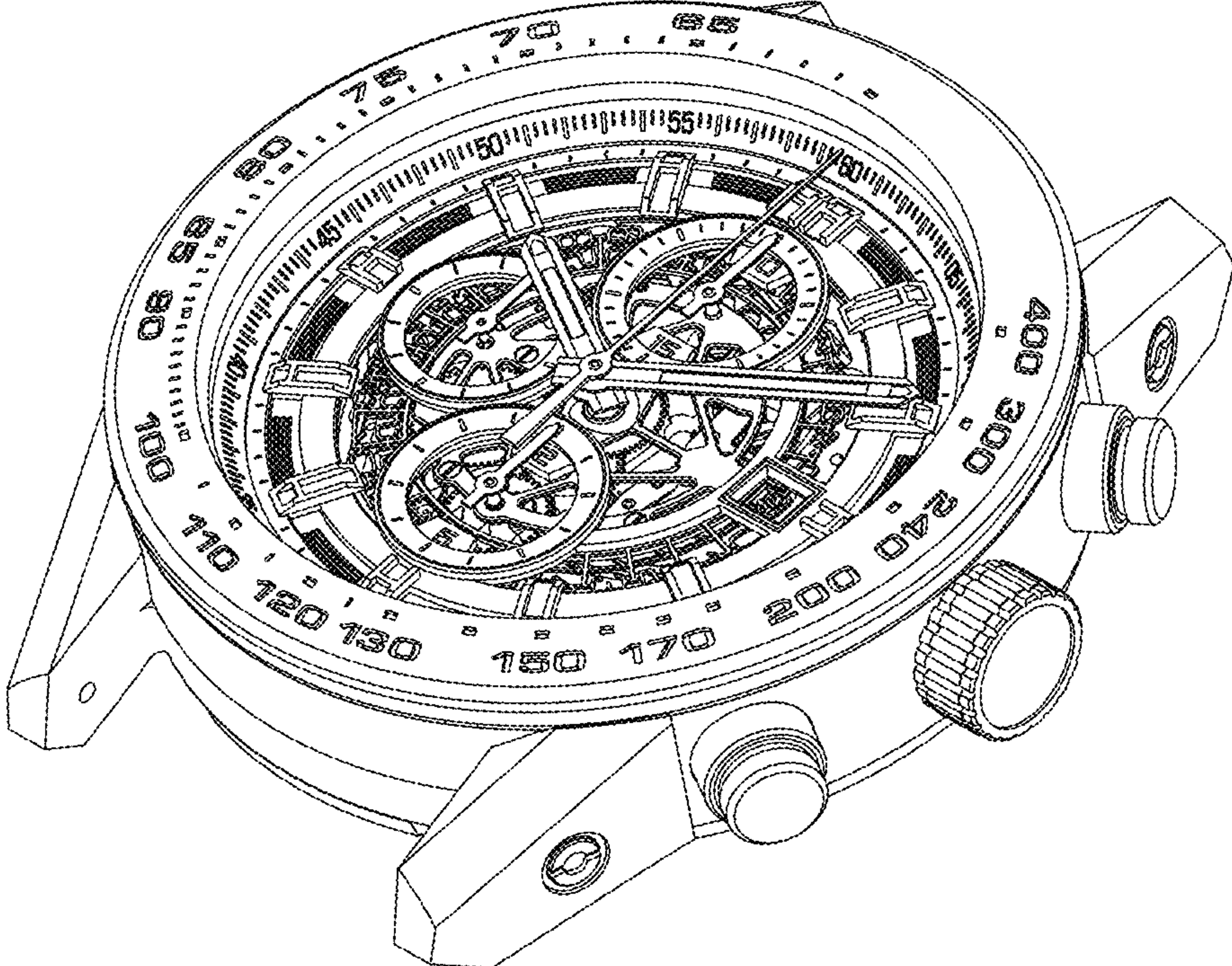
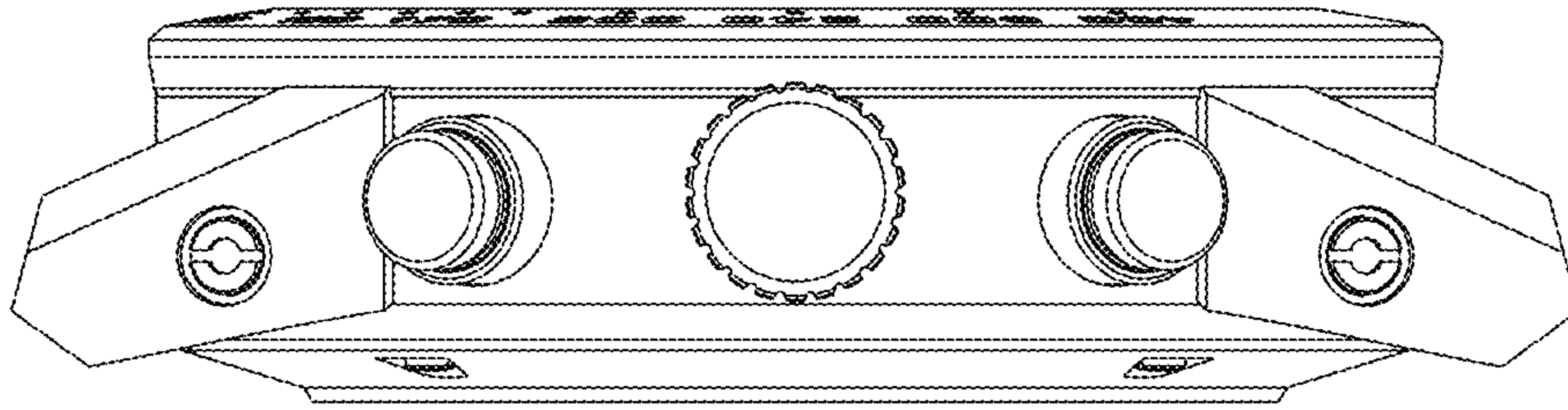
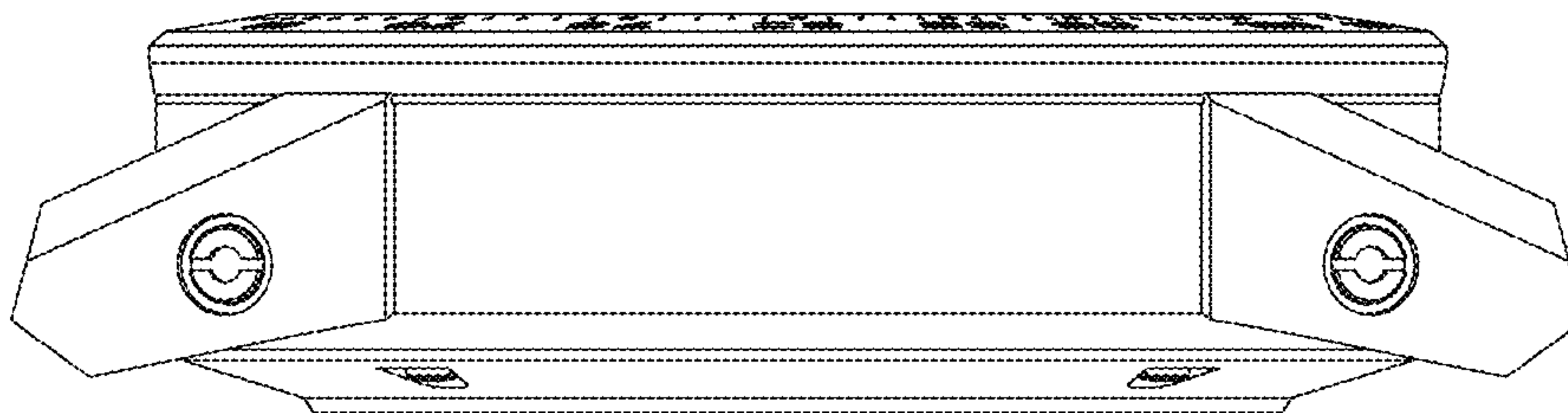


FIG. 1

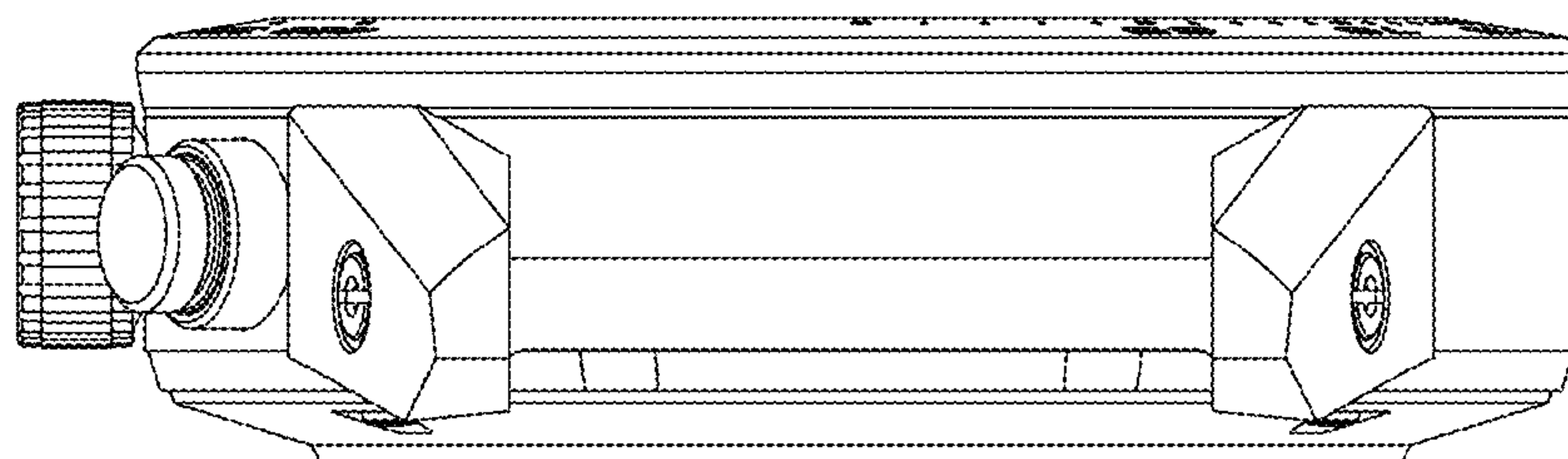




**FIG. 2**



**FIG. 3**



**FIG. 4**

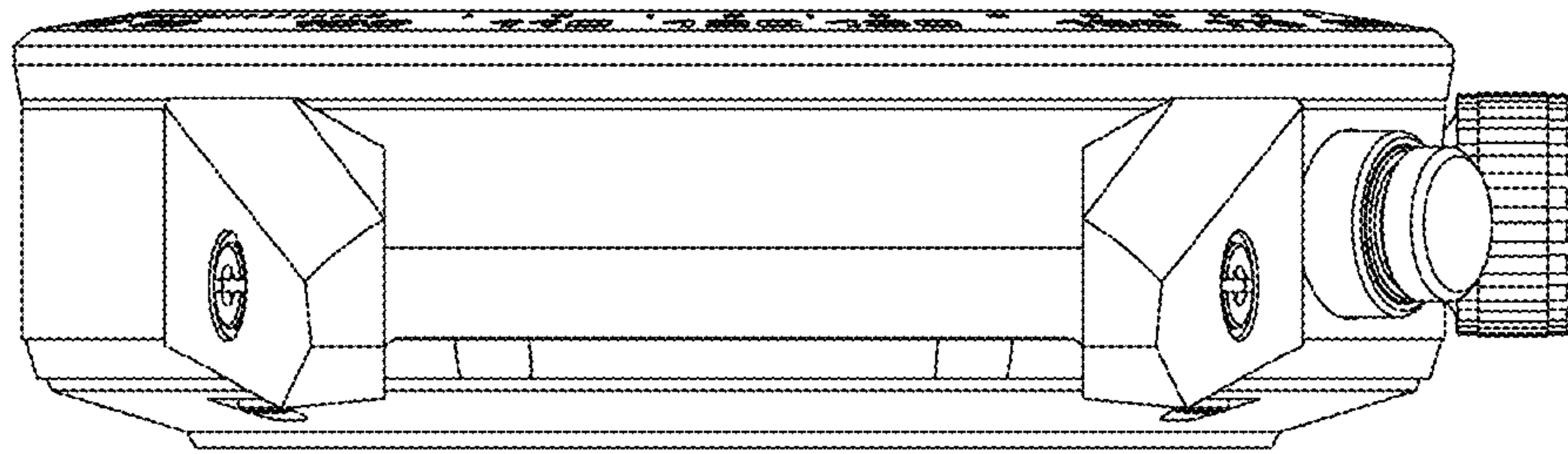


FIG. 5

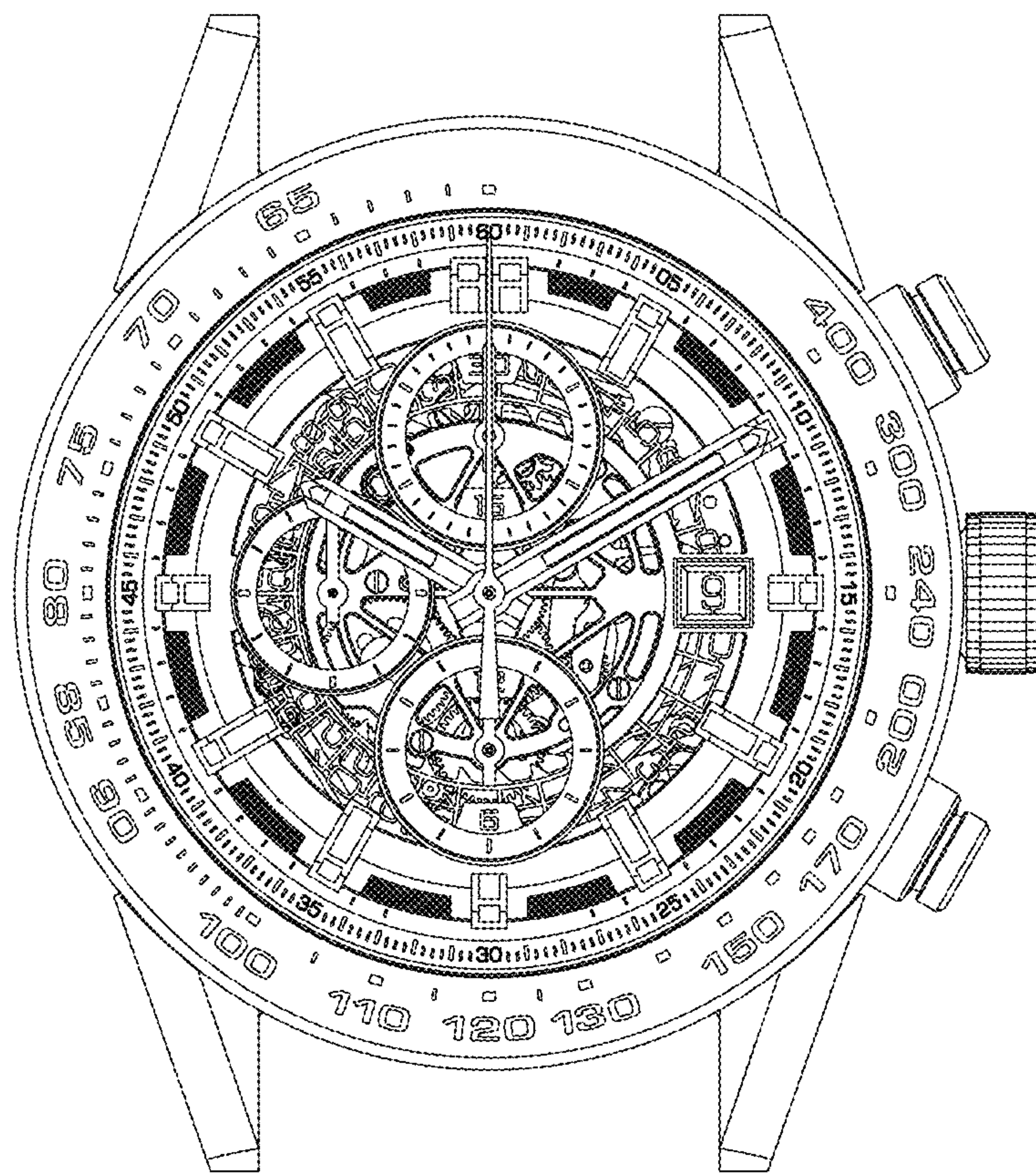


FIG. 6

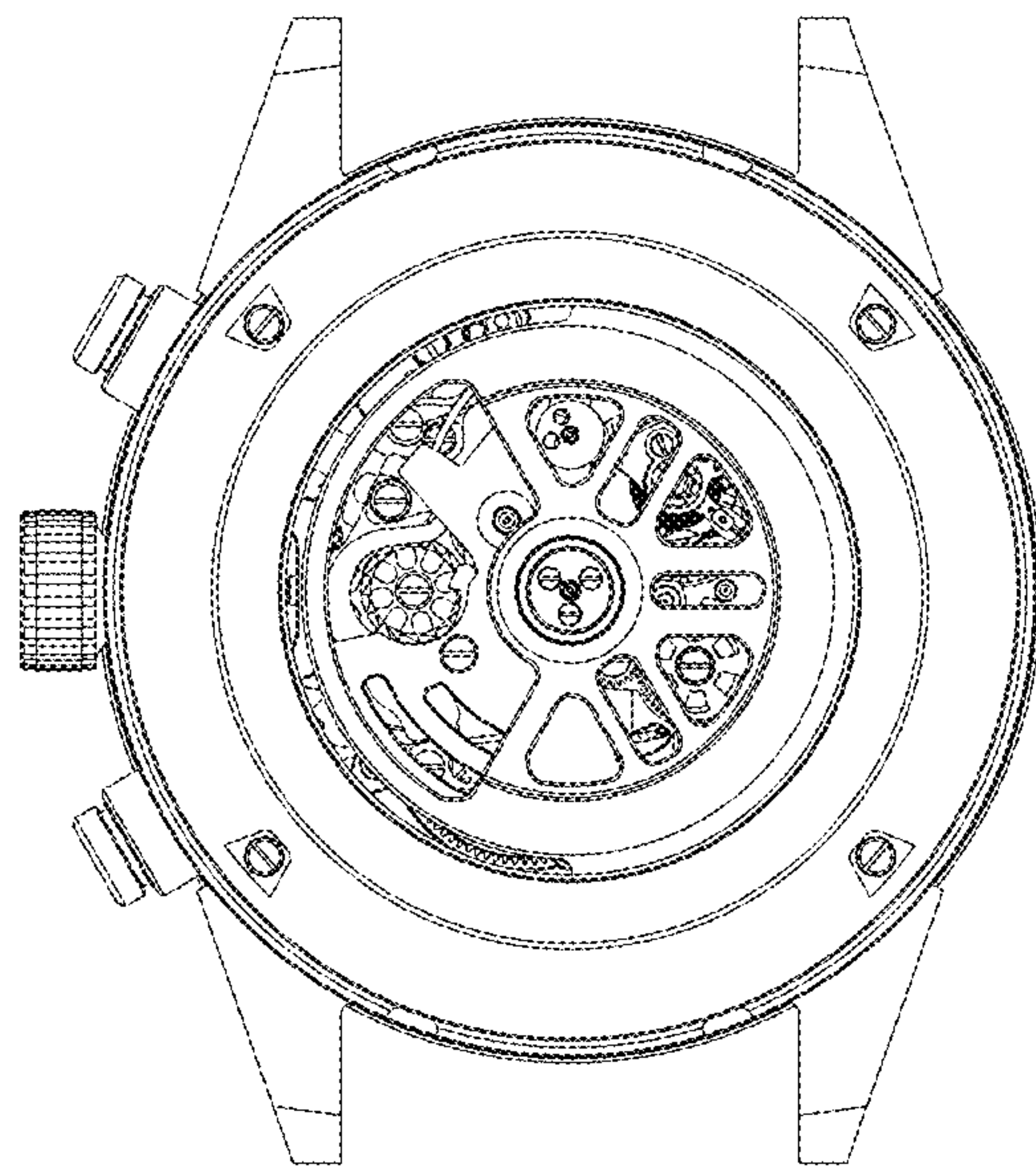


FIG. 7