



US00D800577S

(12) **United States Design Patent** (10) **Patent No.:** **US D800,577 S**
Matos Rodriguez (45) **Date of Patent:** **** Oct. 24, 2017**

(54) **PACKAGING FOR FOODSTUFFS**

(71) Applicant: **Donana 1998, S.L.**, Almonte (Huelva) (ES)

(72) Inventor: **Manuel Matos Rodriguez**, Almonte (ES)

(73) Assignee: **Donana, 1998 S.L.** (ES)

(**) Term: **15 Years**

(21) Appl. No.: **29/558,810**

(22) Filed: **Mar. 22, 2016**

(30) **Foreign Application Priority Data**

Sep. 25, 2015 (EM) 2779157-0001

(51) **LOC (10) Cl.** **09-03**

(52) **U.S. Cl.**
USPC **D9/762; D9/757**

(58) **Field of Classification Search**
USPC D9/341, 345, 347, 348, 414, 415, 430, D9/432, 456, 732, 737, 750, 756-762, D9/418-426, 501, 72, 739, 742, 753, 741; D7/701, 601, 703, 708, 611, 550.1, 605, D7/553.1, 553.2, 614, 555; D3/201, D3/203.3, 263, 272-274, 304, 311, D3/313-315, 318, 319, 901, 903, 905; D6/682, 682.2-682.4, 683, 683.1, 702, D6/703, 396, 397, 449, 450, 466, 469, D6/629; D24/230, 227, 118, 207; 206/139, 292, 557, 558, 564-566, 206/201-203, 427, 265, 504, 518, 519, 206/524.1, 561, 703-705, 523, 586, 515, 206/521.1, 521.15, 521.3, 521.6, 521.8, 206/521.4, 521.9, 406; 211/71.01, 88.01, 211/90.01, 126

CPC A47B 88/20; A47B 88/00; A47B 88/04; A47B 2088/0403; B65D 2543/00361; B65D 2543/00194

See application file for complete search history.

(56) **References Cited**

U.S. PATENT DOCUMENTS

1,345,483 A * 7/1920 Ewry A01K 41/06
119/323

1,967,040 A * 7/1934 Pickett B65D 85/324
217/26.5

2,039,486 A * 5/1936 Lincoln B65D 85/32
217/28

D216,100 S * 11/1969 Dintsman D9/456

(Continued)

OTHER PUBLICATIONS

Deviled Egg Platter (via FOOD52), available Oct. 25, 2016, [online]. [site visited Oct. 26, 2016]. Available from internet, <URL: <https://food52.com/shop/products/2696-deviled-egg-platter>.*

Primary Examiner — Cathron Brooks
Assistant Examiner — Teddy Falloway

(74) *Attorney, Agent, or Firm* — Hayes Soloway PC

(57) **CLAIM**

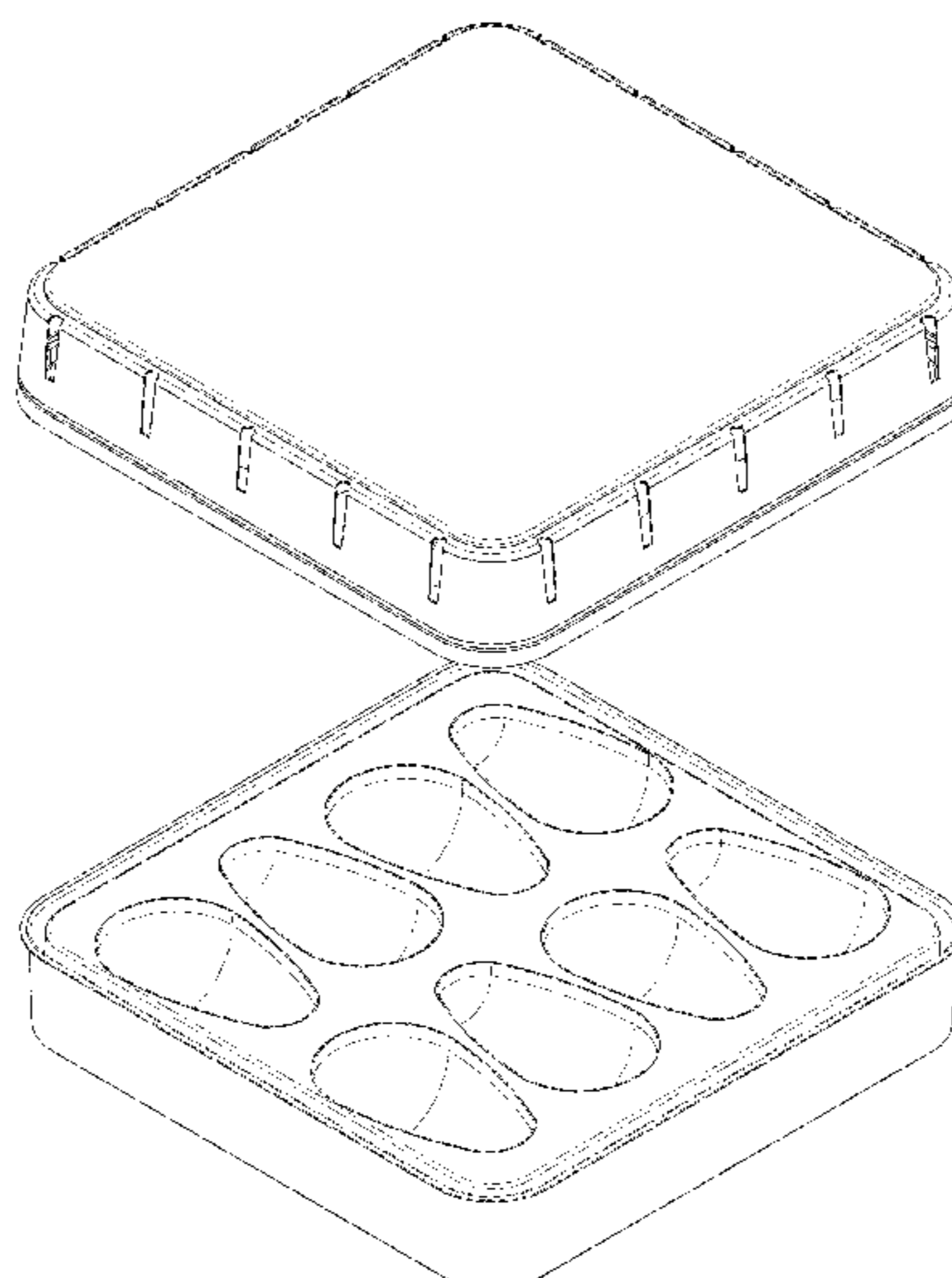
I claim the ornamental design for a packaging for foodstuffs, as shown and described.

DESCRIPTION

FIG. 1 is a perspective view of a packaging for foodstuffs showing my new design;
 FIG. 2 is a front side view thereof;
 FIG. 3 is a top side view thereof;
 FIG. 4 is a right side view thereof;
 FIG. 5 is a bottom side view thereof;
 FIG. 6 is a left side view thereof; and,
 FIG. 7 is a perspective view thereof showing the package open.

The broken lines shown in FIG. 5 illustrate portions of the packaging for foodstuffs that form no part of the claimed design.

1 Claim, 7 Drawing Sheets



(56)

References Cited

U.S. PATENT DOCUMENTS

4,789,601	A *	12/1988	Banes	A61L 27/18 428/116
4,822,741	A *	4/1989	Banes	A61L 27/18 427/2.24
D365,502	S *	12/1995	Runge	D7/610
D382,974	S *	8/1997	Lahm	D24/216
5,786,011	A *	7/1998	Desjardins	B65D 1/24 206/545
D407,827	S *	4/1999	Lahm	D24/216
D411,308	S *	6/1999	Pandey	D24/216
D506,146	S *	6/2005	Hall	D9/757
D506,397	S *	6/2005	Hall	D9/757
D514,954	S *	2/2006	Kim	D9/757
D560,695	S *	1/2008	Marchionda	D15/90
D569,268	S *	5/2008	Markowicz	D9/715
D637,733	S *	5/2011	Wei	D24/226
D666,878	S *	9/2012	Siegel	D7/629
D697,095	S *	1/2014	Chan	D15/90
D703,001	S *	4/2014	Gross	D7/555
8,778,430	B2 *	7/2014	Dietrich	B65B 5/06 426/110
D741,703	S *	10/2015	Janson	D9/424
D763,104	S *	8/2016	Akana	D9/756
2014/0027338	A1 *	1/2014	Brown	B65D 81/113 206/521.6

* cited by examiner

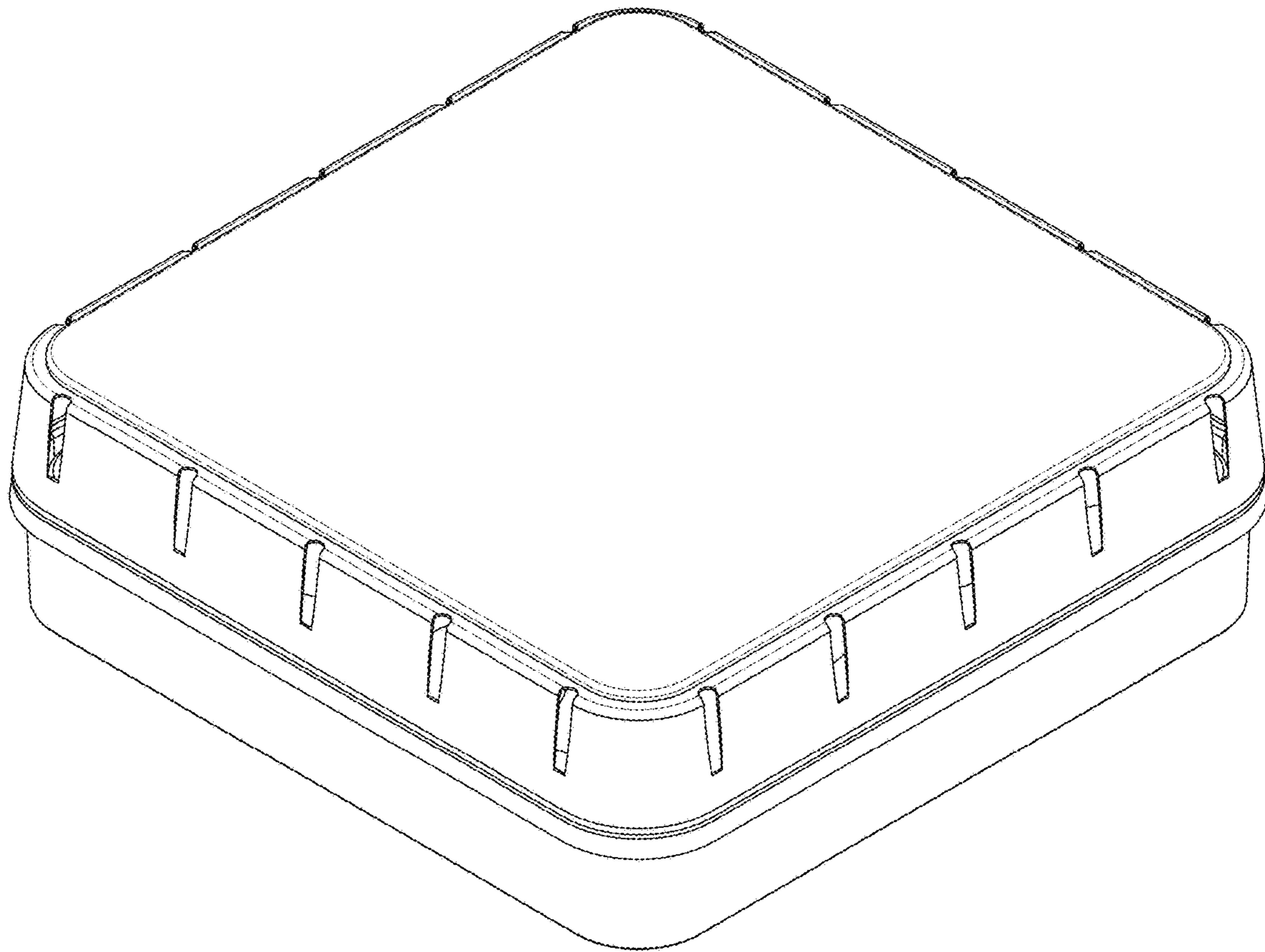


FIG. 1

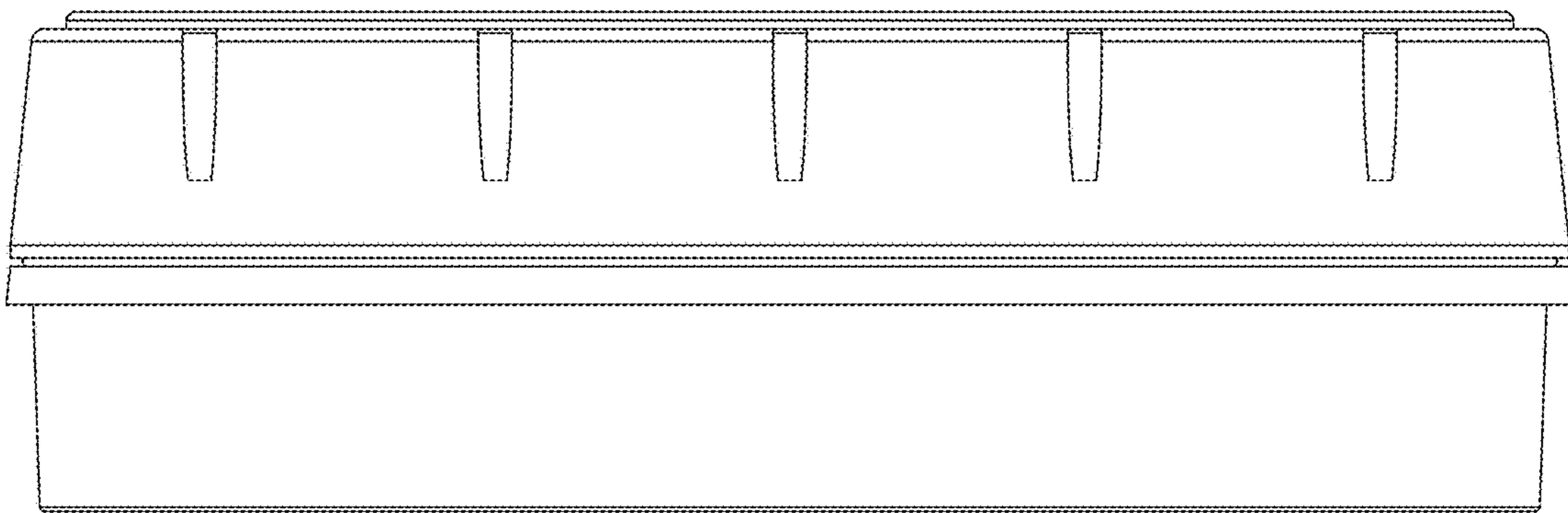


FIG. 2

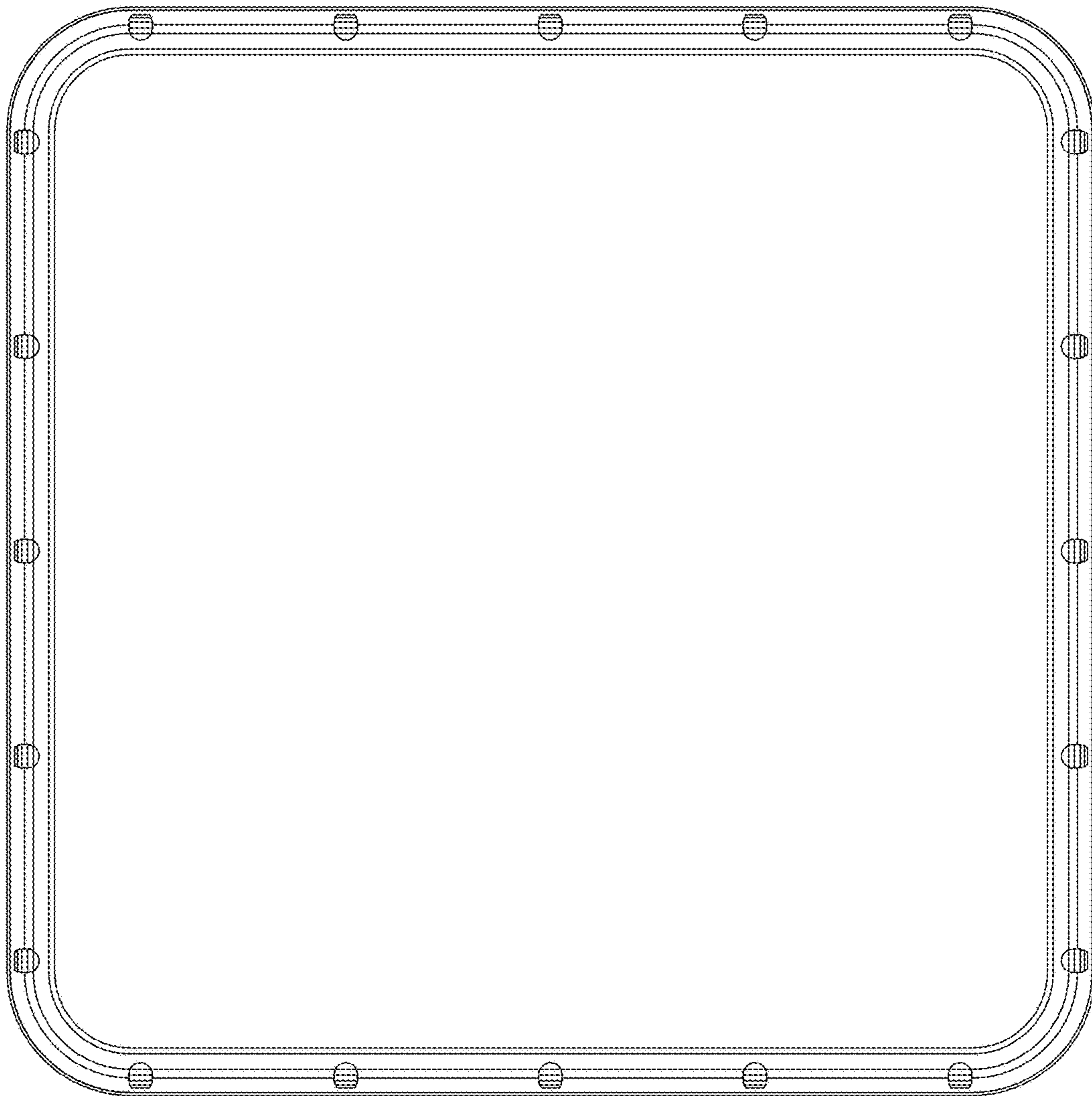


FIG. 3

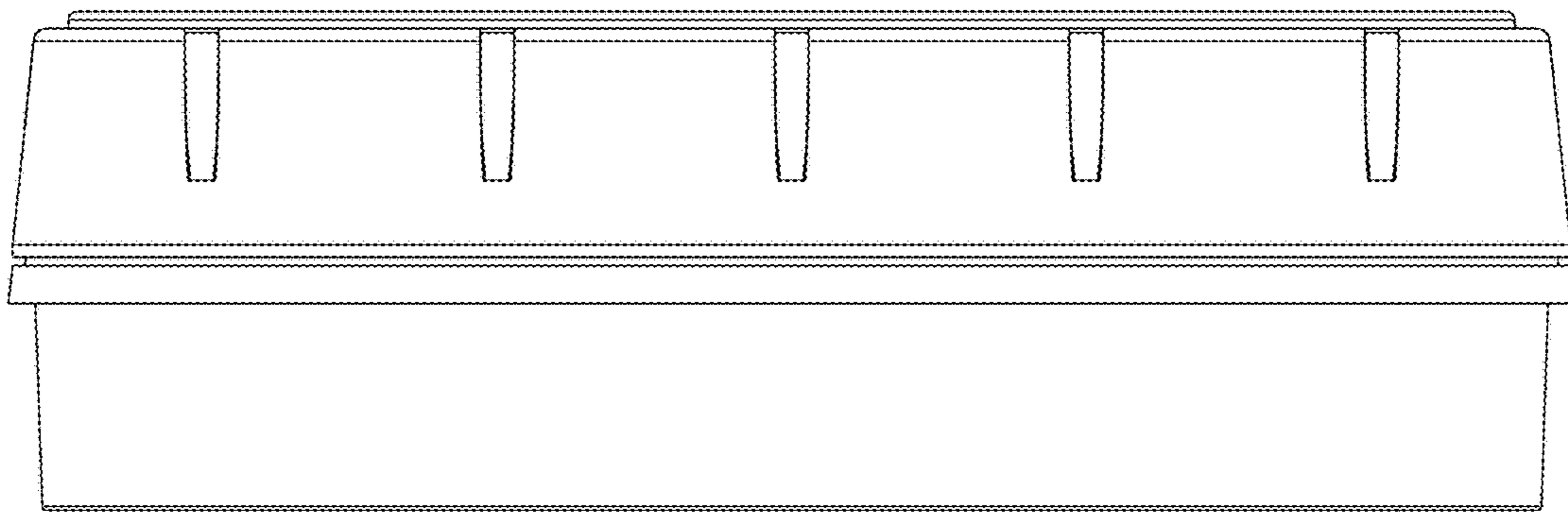


FIG. 4

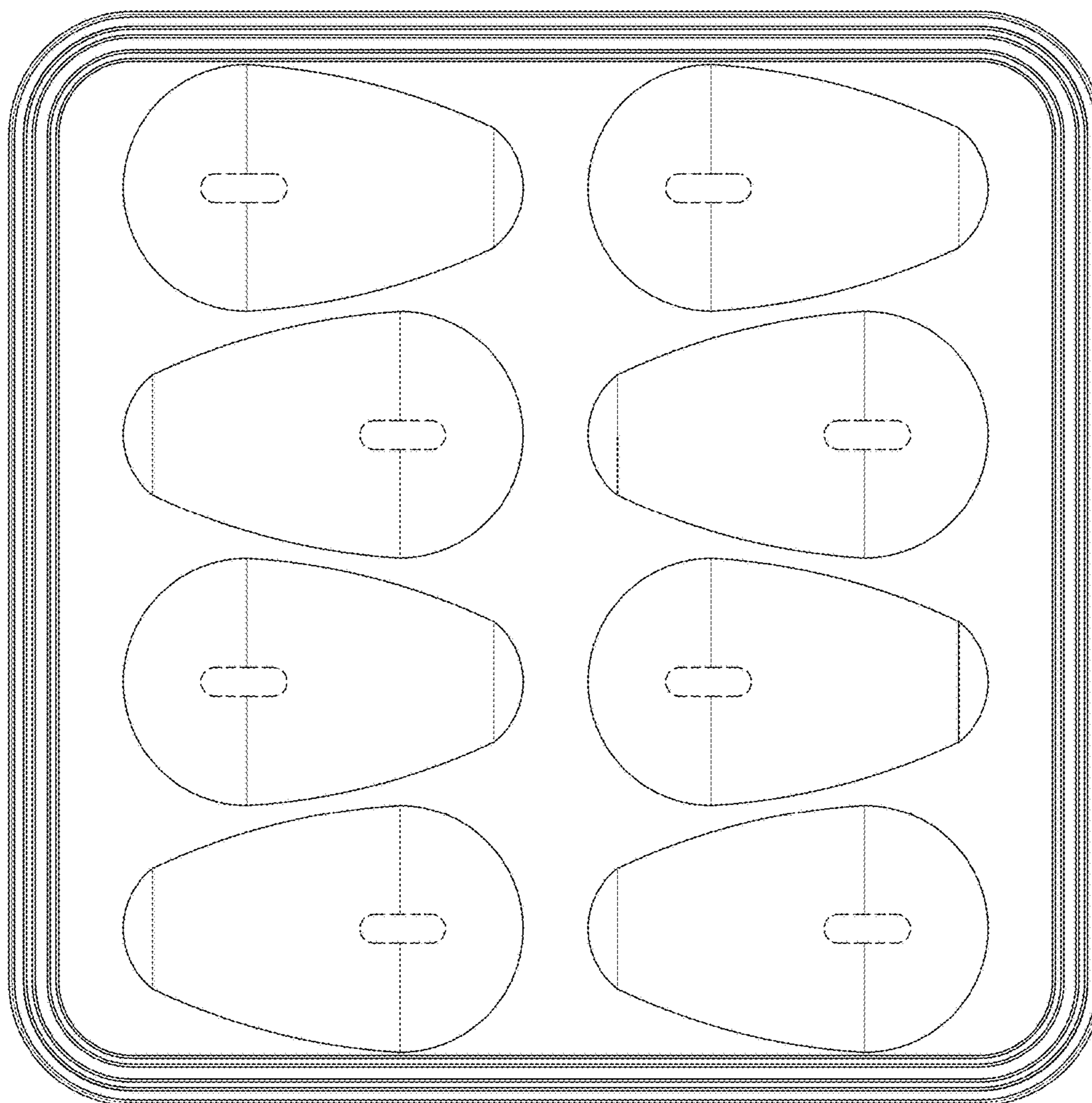


FIG. 5

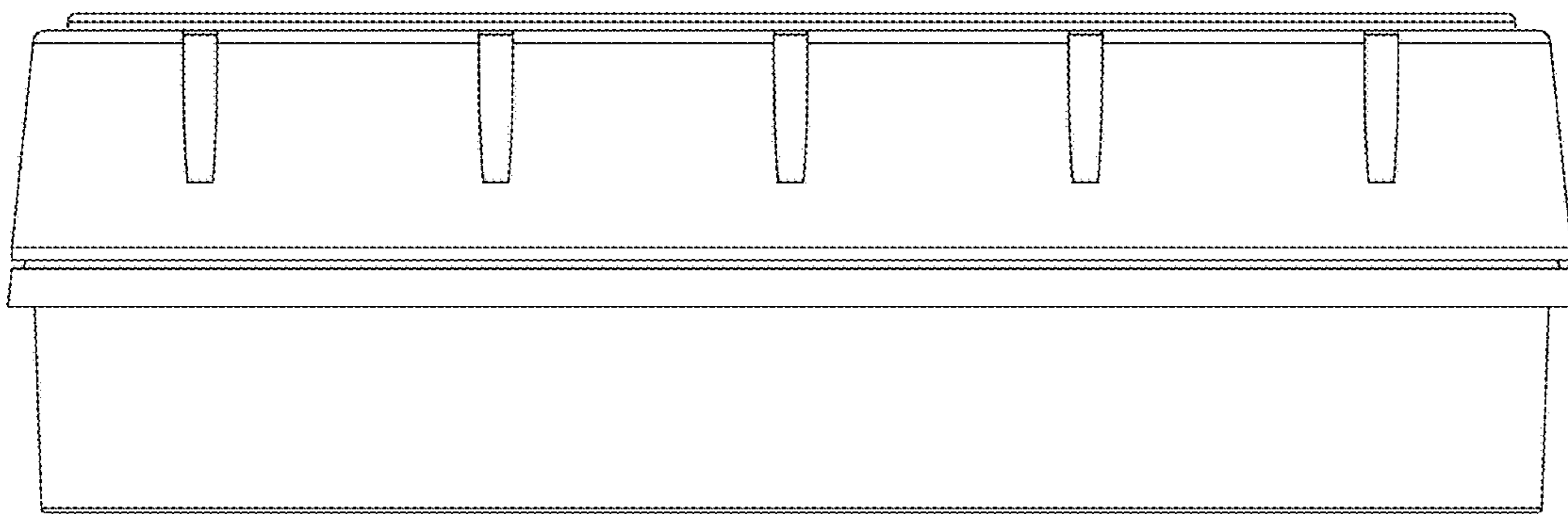


FIG. 6

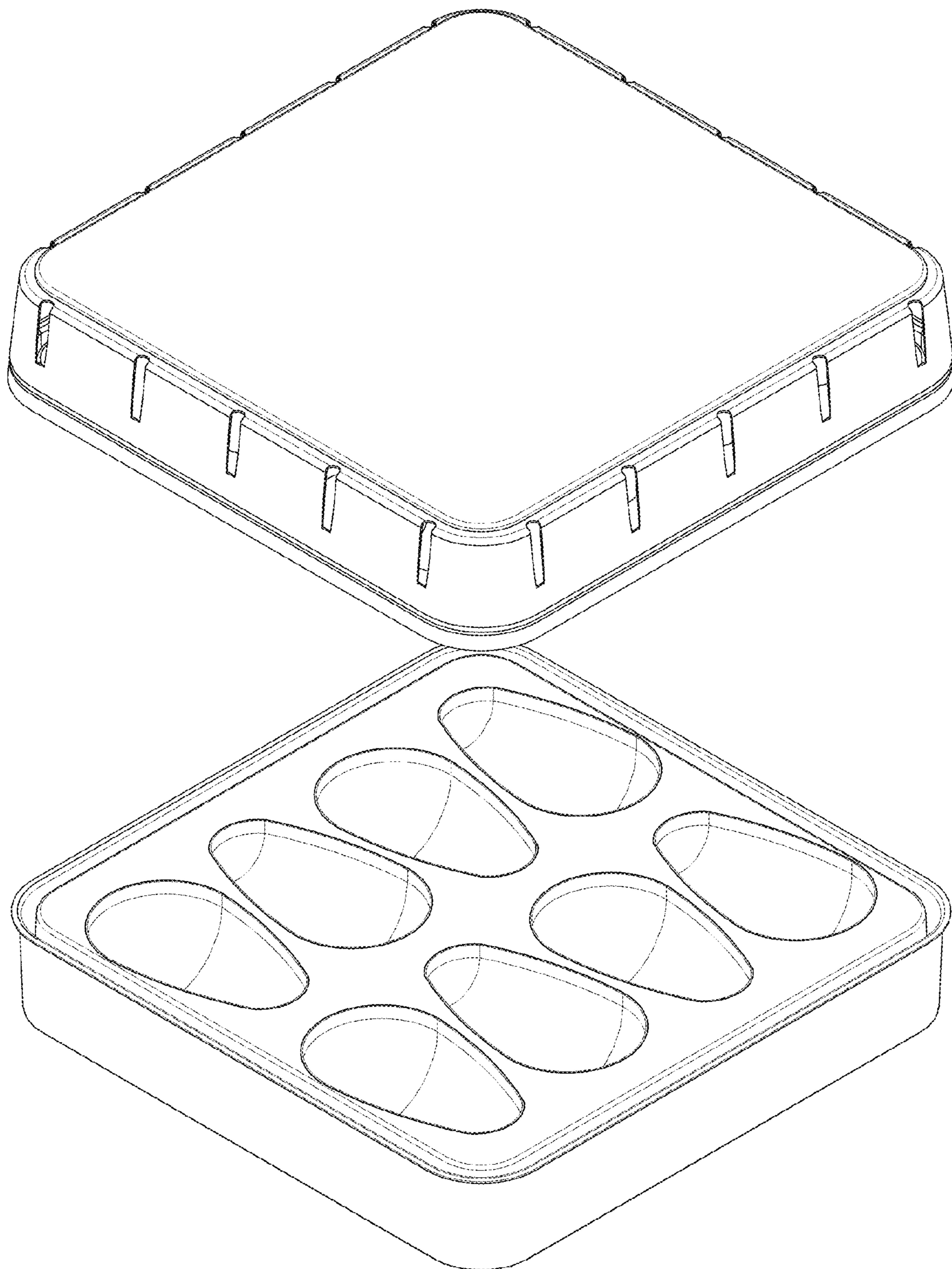


FIG. 7