



US00D800576S

(12) **United States Design Patent**
Ben Shoushan

(10) **Patent No.:** **US D800,576 S**

(45) **Date of Patent:** **** Oct. 24, 2017**

(54) **DUAL CHAMBER BAG**

(71) Applicant: **Yakov Ben Shoushan**, Cincinnati, OH (US)

(72) Inventor: **Yakov Ben Shoushan**, Cincinnati, OH (US)

(**) Term: **15 Years**

(21) Appl. No.: **29/583,417**

(22) Filed: **Nov. 4, 2016**

(51) **LOC (10) Cl.** **09-05**

(52) **U.S. Cl.**
USPC **D9/703**

(58) **Field of Classification Search**

USPC D9/702-703, 707, 709, 711, 713, D9/430-431, 761, 414-417, 695-696, D9/737, 419, 424-426, 734, 499; 426/106, 115, 119, 120, 122, 132, 134, 426/108, 112; 222/82, 92, 107, 527, 129; 206/229, 484, 527, 271-273, 390, 438, 206/449, 820; D24/118, 207; 383/207, 383/200, 63, 209; 229/87.01, 87.05, 229/87.03, 87.14, 87.08; 220/495.11, 220/495.03, 495.01, 908, 908.1, 908.2, 220/908.3; D3/203.1, 203.2, 303; D11/152-154; D7/601-603
CPC B65D 31/00; B65D 33/00; B65D 33/14; B65D 33/16; B65D 75/58; B65D 25/04
See application file for complete search history.

(56) **References Cited**

U.S. PATENT DOCUMENTS

4,428,484 A * 1/1984 Rattay A45C 3/04 206/548
5,022,767 A * 6/1991 Cardulla B65D 33/007 141/390

5,540,333 A * 7/1996 Gonzalez B65D 31/005 206/541
6,036,363 A * 3/2000 Behnk B65D 31/12 383/37
D673,462 S * 1/2013 Ingels D9/702
2012/0134604 A1 * 5/2012 Lindquist B65D 31/08 383/40
2017/0050763 A1 * 2/2017 Gharibjanians B65D 25/04

* cited by examiner

Primary Examiner — Abraham Bahta

(74) *Attorney, Agent, or Firm* — Dunlap Bennett & Ludwig PLLC

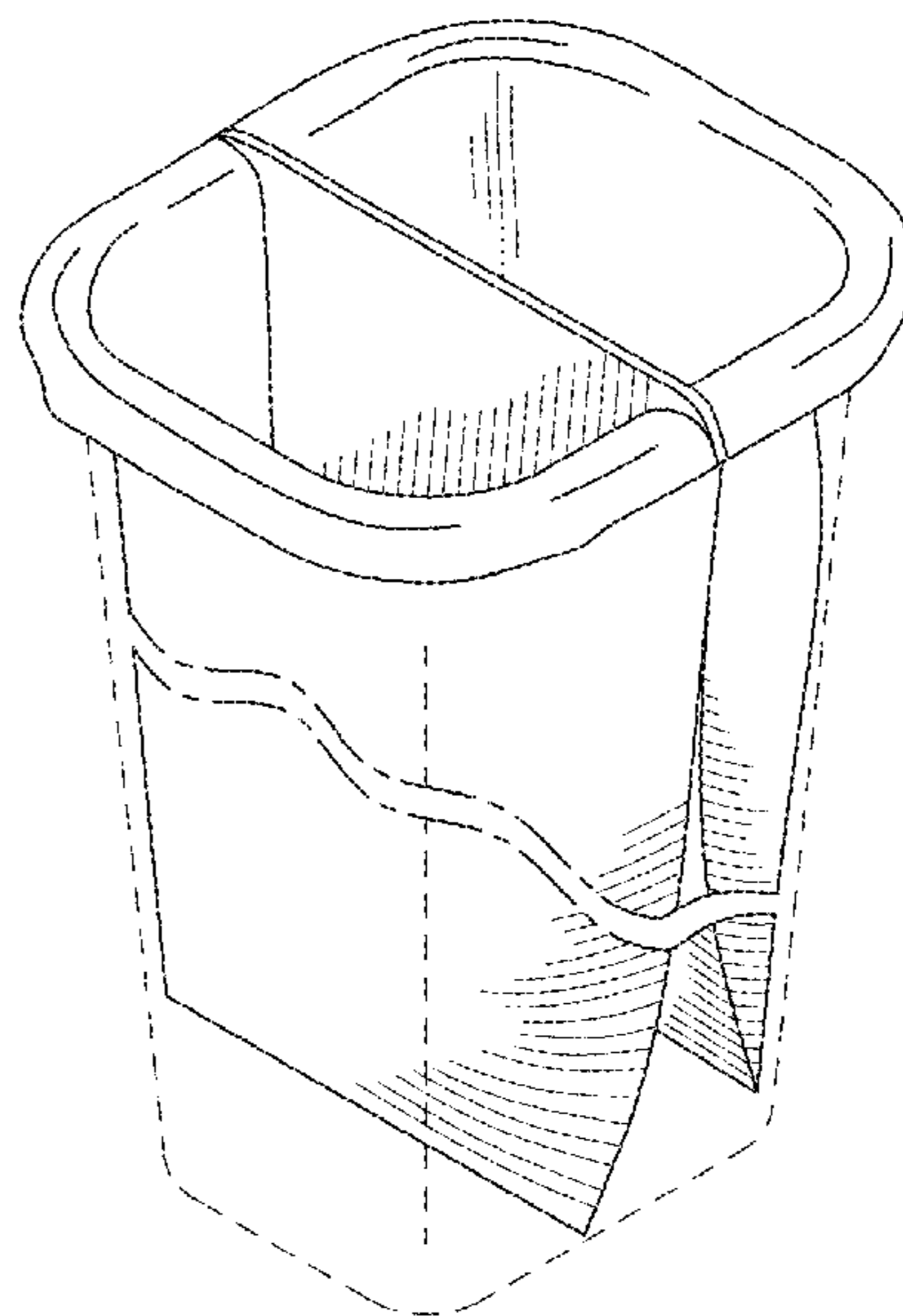
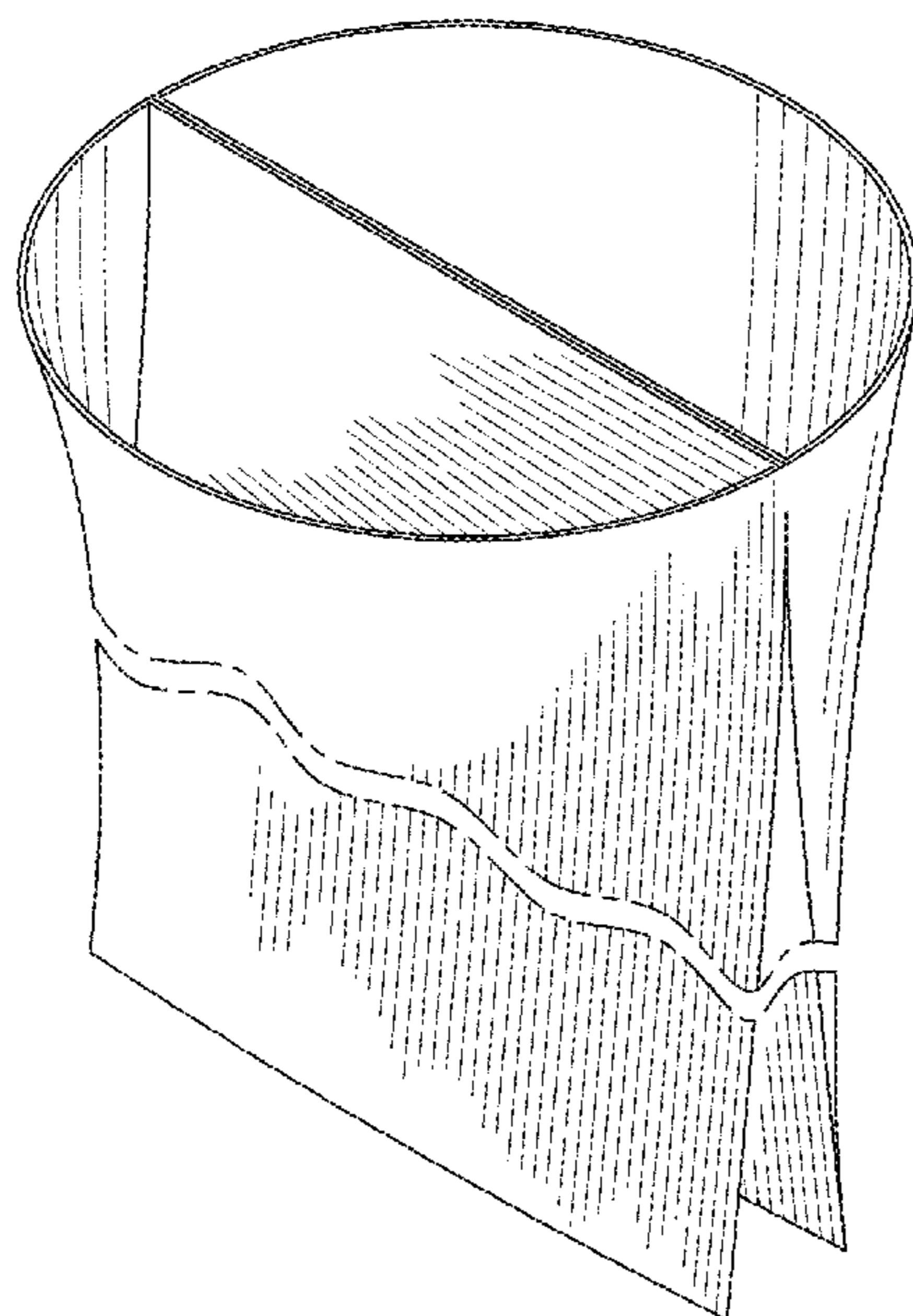
(57) **CLAIM**

The ornamental design for a dual chamber bag, as shown and described.

DESCRIPTION

FIG. 1 is a top front perspective view of the dual chamber bag showing my new design;
FIG. 2 is a front elevation view thereof, with the rear elevation view being a mirror image thereof;
FIG. 3 is a right elevation view thereof, with the left elevation view being a mirror image thereof;
FIG. 4 is a top elevation view thereof;
FIG. 5 is a bottom elevation view thereof; and,
FIG. 6 is a top front perspective view thereof, shown in use. The dual chamber bag is shown with a symbolic break in its length. The appearance of any portion of the article between the break lines forms no part of the claimed design. The broken lines in FIG. 6 showing the dual chamber bag in use illustrates environment and forms no part of the claim.

1 Claim, 4 Drawing Sheets



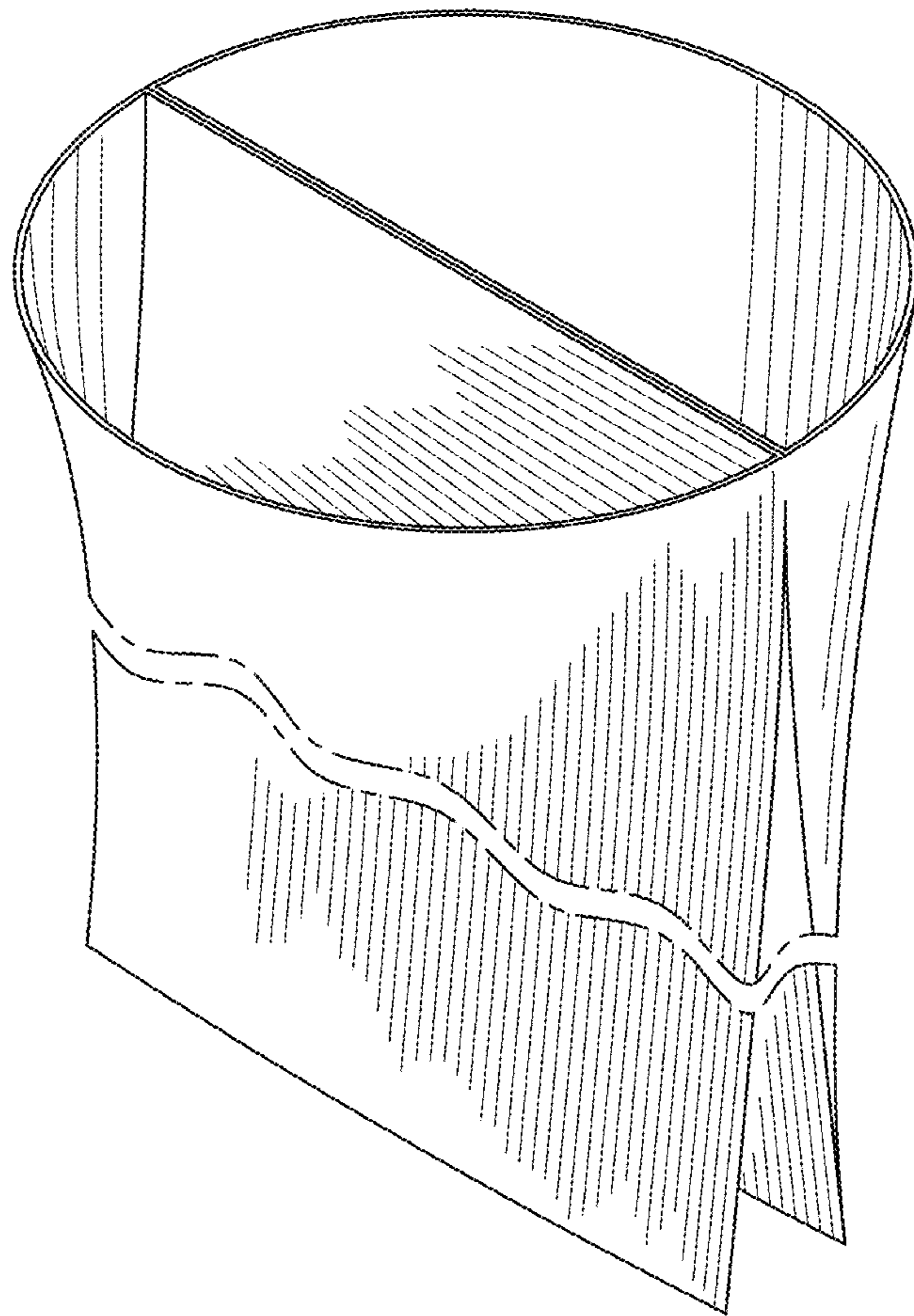


FIG. 1

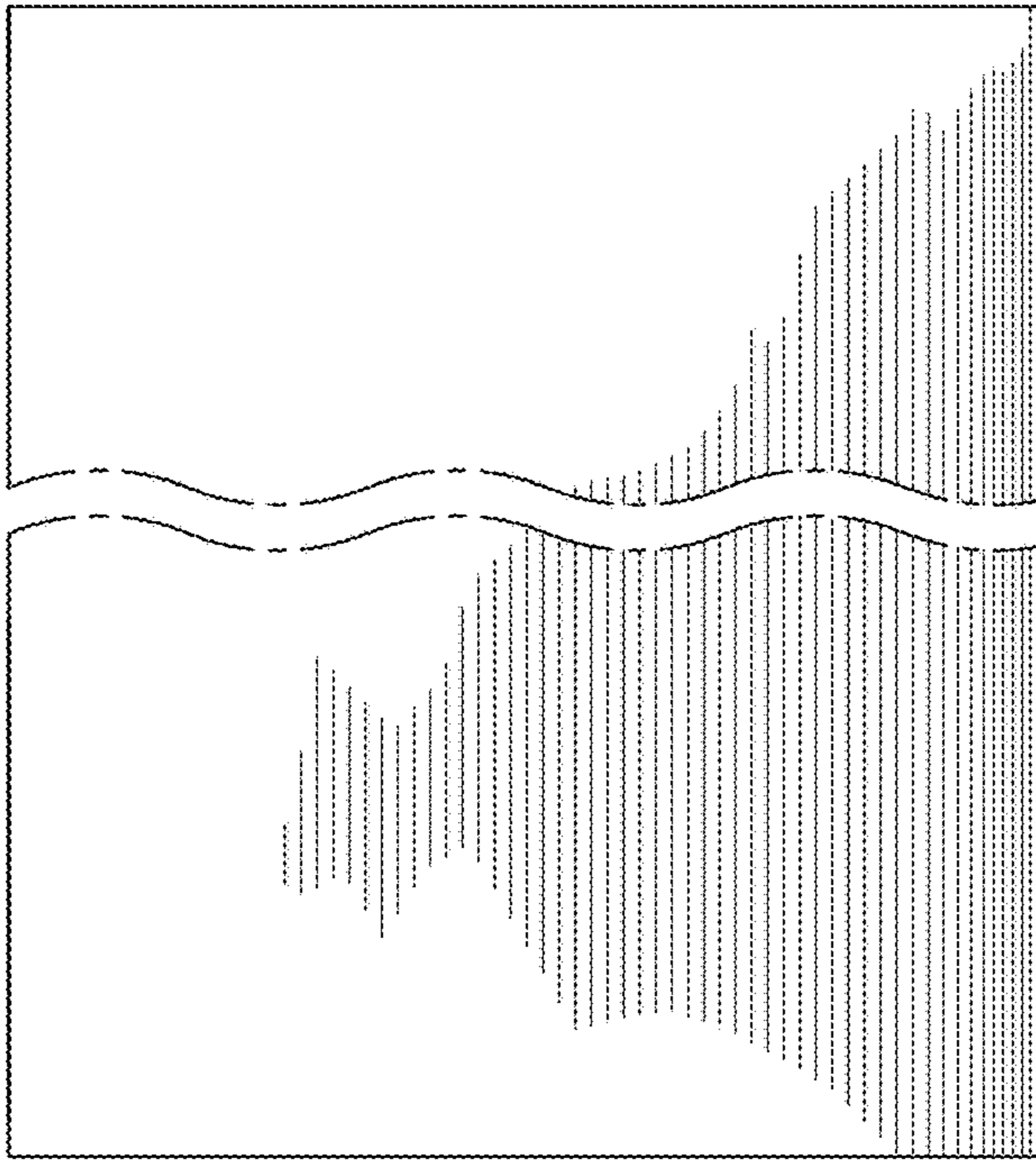


FIG. 2

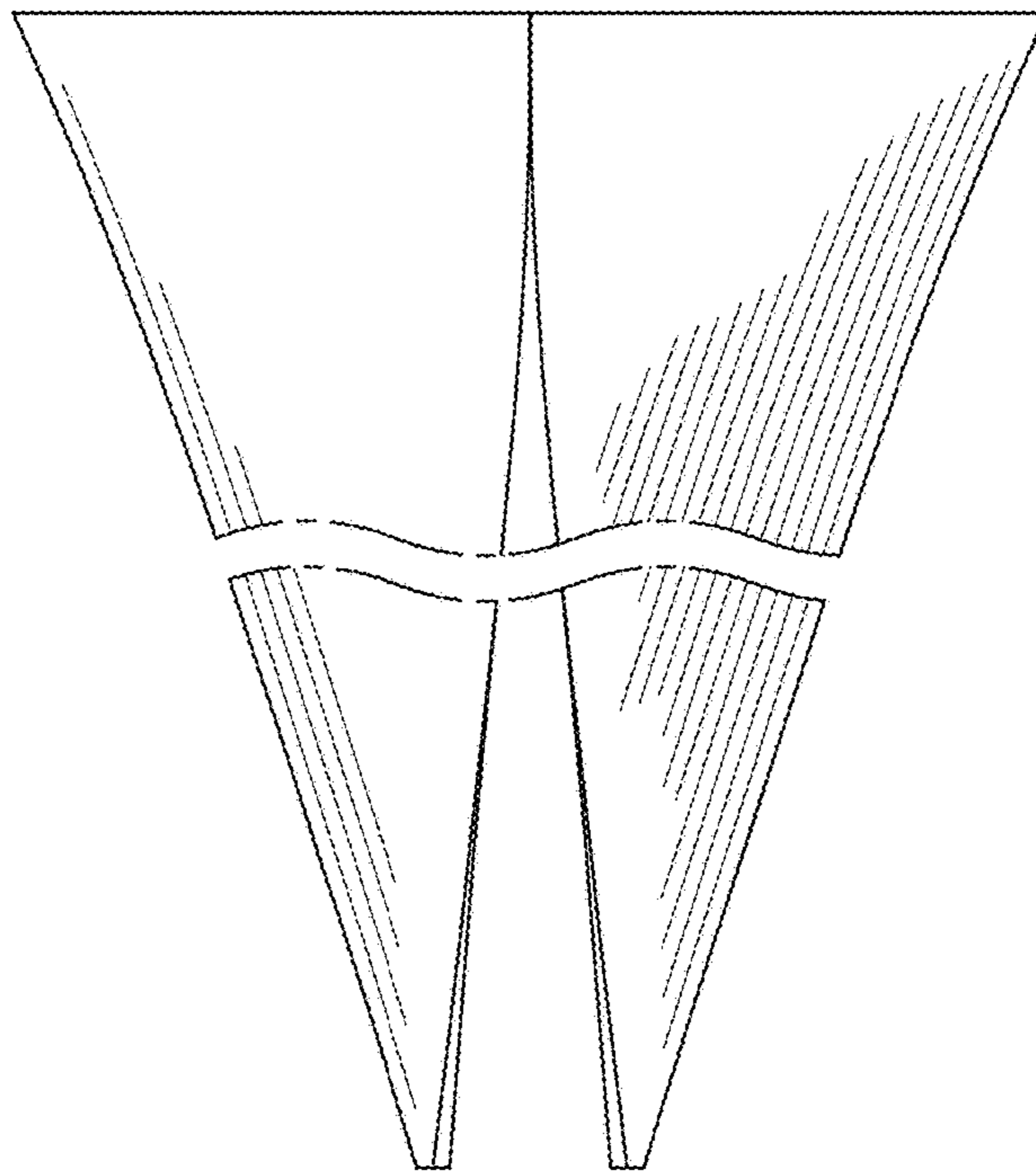


FIG. 3

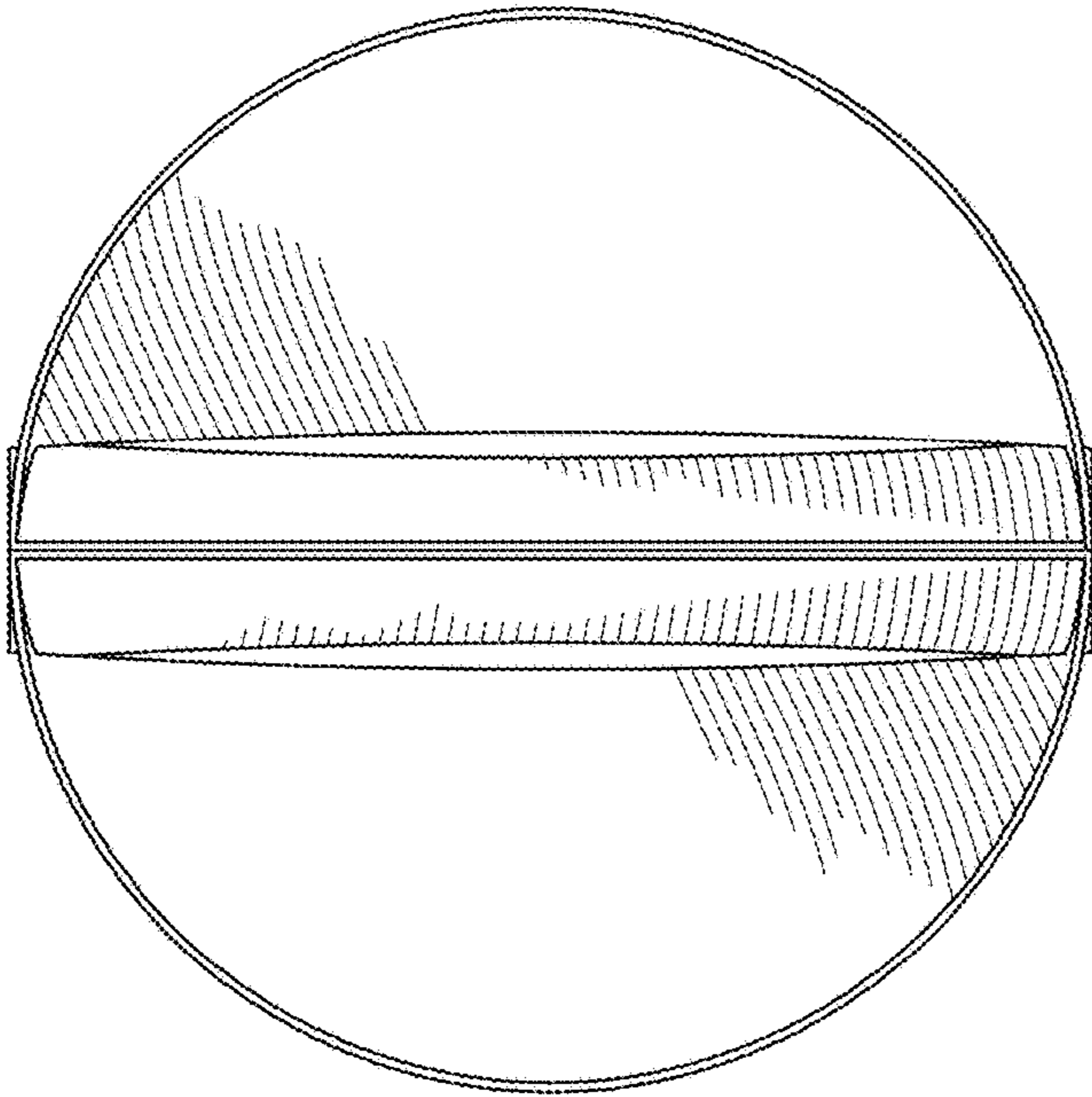


FIG. 4

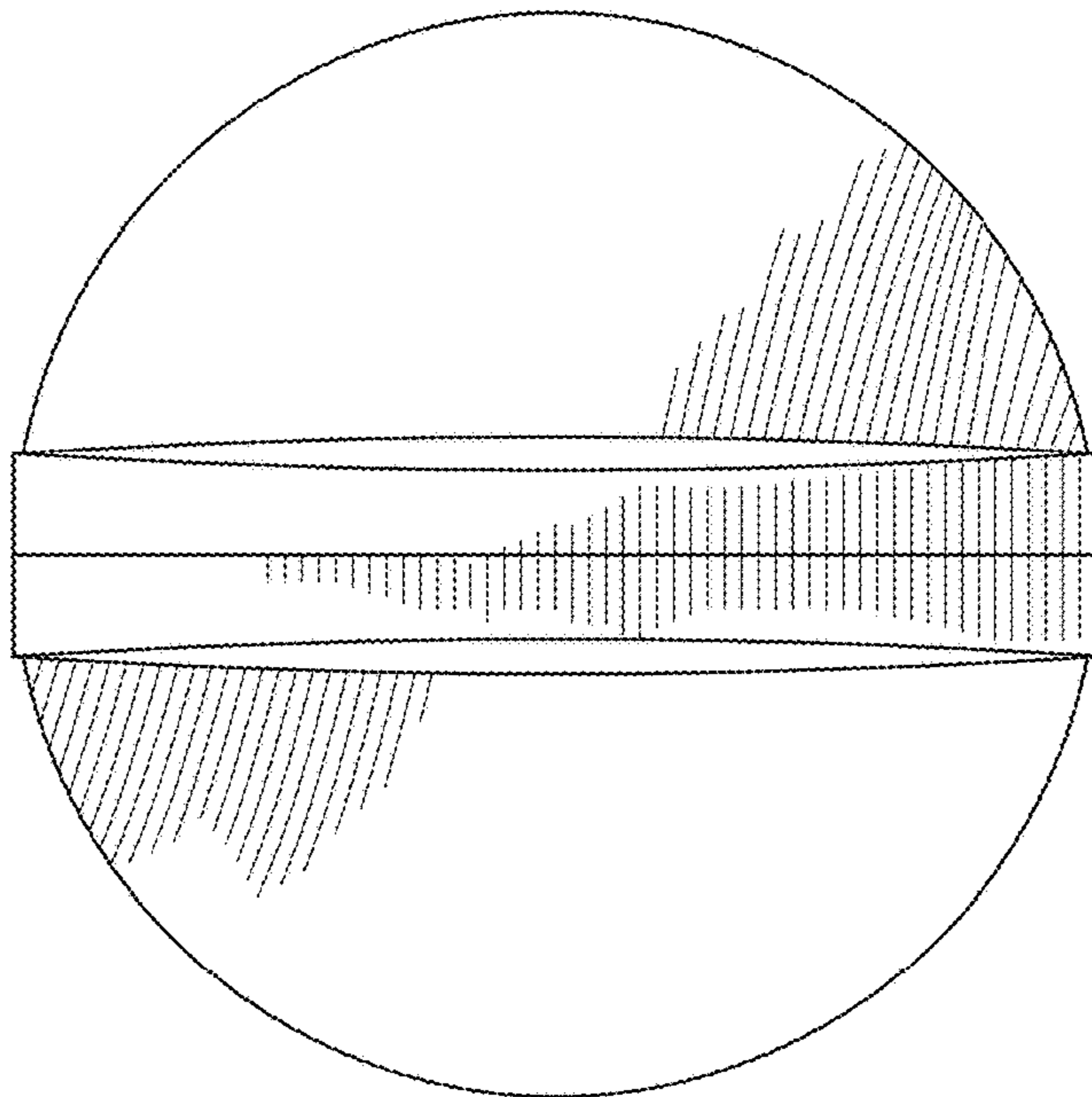


FIG. 5

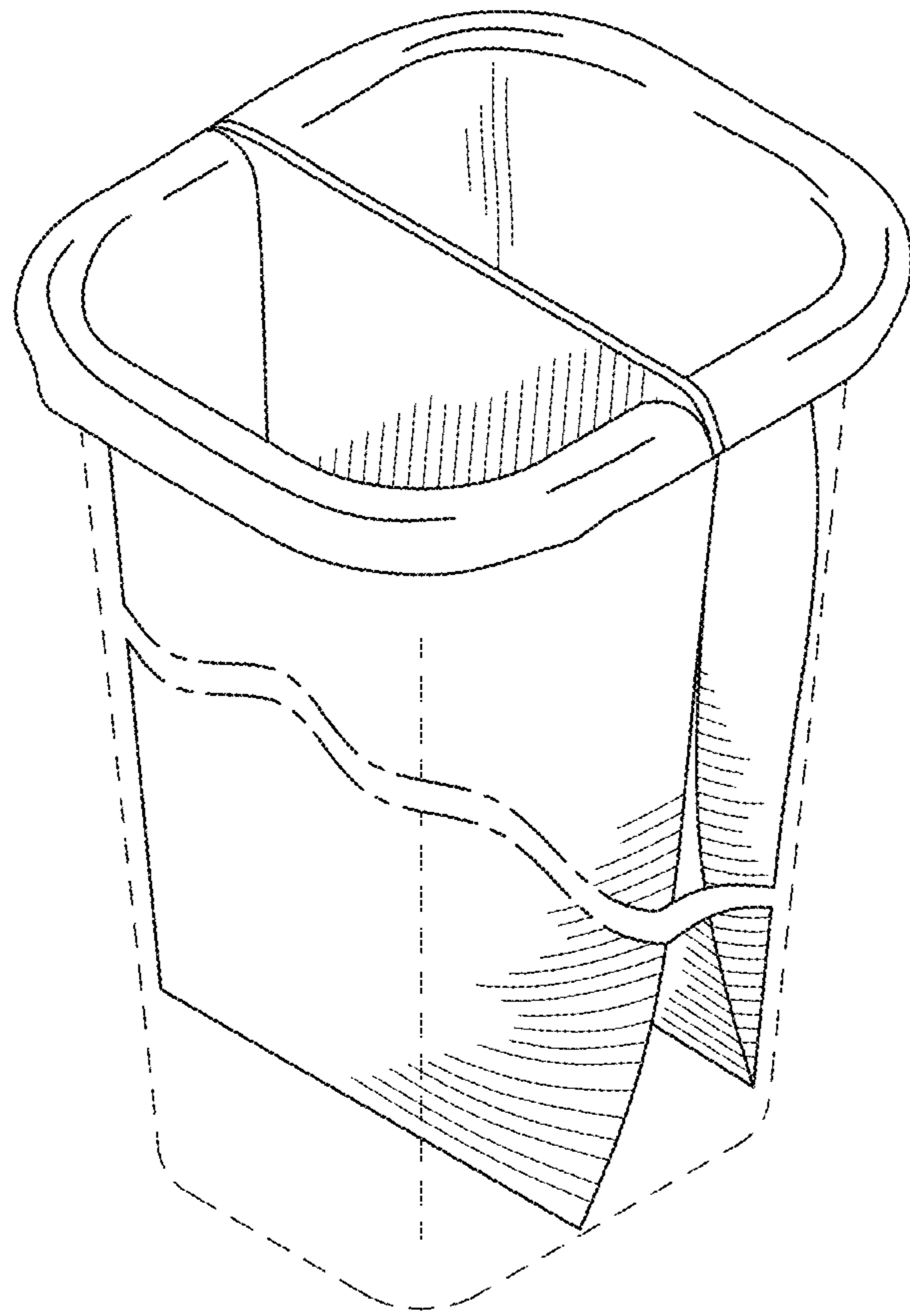


FIG. 6