



US00D800572S

(12) **United States Design Patent**
Creighton

(10) **Patent No.:** **US D800,572 S**

(45) **Date of Patent:** **** Oct. 24, 2017**

(54) **SPRAY CANISTER WITH CHILD-RESISTANT CAP**

B05B 11/30-11/3098; A45D 34/00; A45D 34/04; A45D 2034/007; A45D 2200/05; A45D 2200/055; A45D 2200/056; A45D 2200/057

(71) Applicant: **Reckitt Benckiser (Brands) Limited**, Slough (GB)

See application file for complete search history.

(72) Inventor: **Michael Creighton**, Warminster, PA (US)

(56) **References Cited**

(73) Assignee: **RECKITT BENCKISER (BRANDS) LIMITED**, Slough (GB)

U.S. PATENT DOCUMENTS

(**) Term: **15 Years**

D138,925 S *	9/1944	Ostrin et al.	D24/197
D139,004 S *	10/1944	Weeks	D9/517
2,790,576 A *	4/1957	Lawrence	B65D 43/0222
			215/316
3,206,081 A *	9/1965	Sagarin	B65D 83/205
			222/182
D207,070 S *	2/1967	Gould	D9/504
3,422,996 A *	1/1969	Elmer	B05B 11/3059
			222/384

(21) Appl. No.: **29/572,177**

(22) Filed: **Jul. 26, 2016**

(51) **LOC (10) Cl.** **09-01**

(52) **U.S. Cl.**
USPC **D9/556; D9/689; D9/503; D9/538; D9/445**

(Continued)

Primary Examiner — Catherine A Tuttle
(74) *Attorney, Agent, or Firm* — Troutman Sanders LLP; Ryan Schneider

(58) **Field of Classification Search**

USPC D9/682-694, 719, 516, 517, 520, 521, D9/523-529, 549-575, 434-436, D9/443-448, 503, 504, 414, 417, 418, D9/424, 428, 429; D28/76, 77, 82, 86, D28/88, 89, 91.1

CPC B65D 1/00; B65D 1/0223; B65D 1/023; B65D 1/0246; B65D 1/04; B65D 1/06; B65D 1/40; B65D 1/02; B65D 23/102; B65D 83/14; B65D 83/20; B65D 83/28; B65D 83/38; B65D 83/384; B65D 83/40; B65D 83/42; B65D 41/00; B65D 41/02; B65D 41/17; B65D 41/18; B65D 41/26; B65D 41/62; B65D 43/02; B65D 43/0202; B65D 43/0206; B65D 43/021; B65D 50/00-50/069; B65D 2215/00-2215/08; B65D 2251/02; B65D 2251/023; B05B 11/00; B05B 11/0005; B05B 11/0027; B05B 11/0035; B05B 11/0037; B05B 11/0054; B05B 11/02;

(57) **CLAIM**

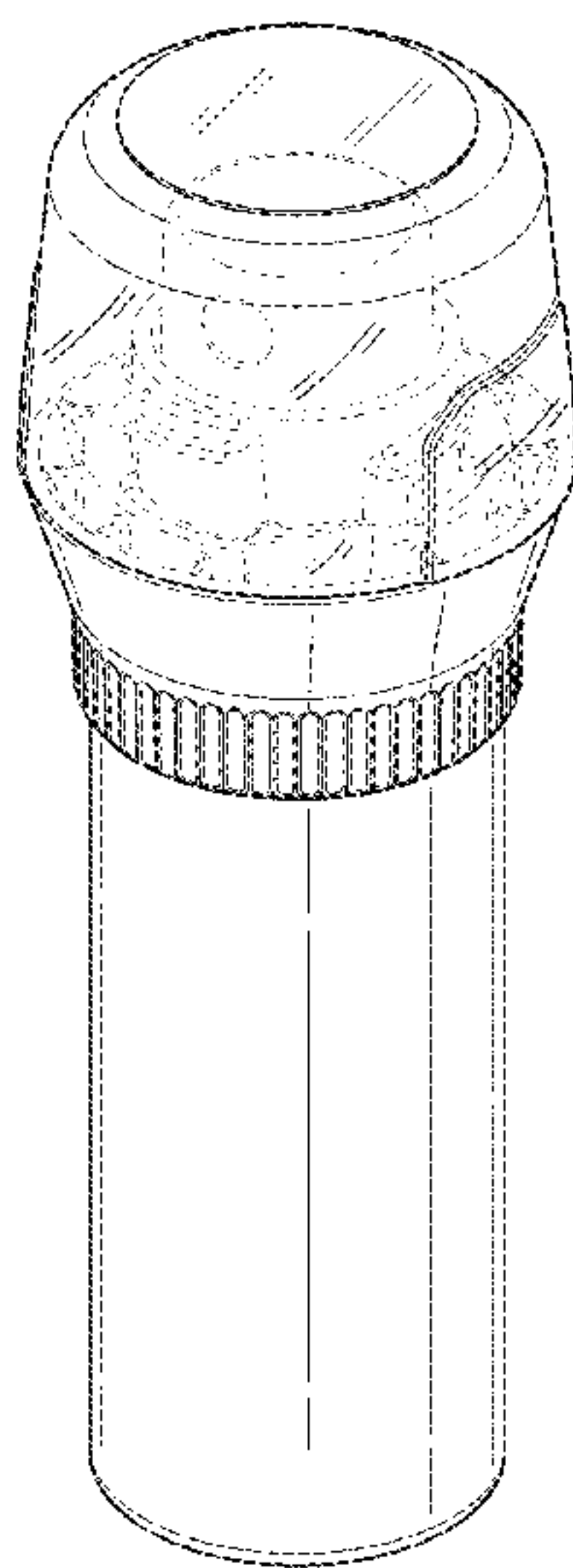
The ornamental designs for a spray canister with child-resistant cap, as shown and described.

DESCRIPTION

FIG. 1 is a front perspective view of the spray canister with child resistant cap showing our new design;
 FIG. 2 is a front elevational view thereof;
 FIG. 3 is a back elevational view thereof;
 FIG. 4 is a side elevational view thereof;
 FIG. 5 is an elevational view of the opposing side of FIG. 4;
 FIG. 6 is a top plan view thereof; and,
 FIG. 7 is a bottom plan view thereof.

The broken lines showing the structures visible behind the transparent cap are for illustrative purposes only and form no part of the claimed design.

1 Claim, 4 Drawing Sheets



(56)

References Cited

U.S. PATENT DOCUMENTS

D229,120 S * 11/1973 Bell D26/49
D240,799 S * 8/1976 Lewis D9/503
D246,893 S * 1/1978 Eron D9/689
D255,990 S * 7/1980 Lucas D9/726
5,051,017 A * 9/1991 Yorks A45D 34/041
401/209
5,242,089 A * 9/1993 Knickerbocker B05B 11/007
222/321.7
D371,304 S * 7/1996 Onneweer D7/511
5,551,582 A * 9/1996 Robinson B65D 50/048
215/216
D375,679 S * 11/1996 Russell D20/7
D385,779 S * 11/1997 Sokol D9/529
D550,571 S * 9/2007 Diaz D9/719
D618,561 S * 6/2010 Lee D9/726
D666,908 S * 9/2012 Dabah D9/445
2003/0129142 A1 * 7/2003 Schroeder A45D 34/041
424/47
2010/0320168 A1 * 12/2010 Bull B65D 50/046
215/219
2016/0068317 A1 * 3/2016 Petit B29C 45/006
206/438
2016/0280429 A1 * 9/2016 Piscopo B65D 50/046

* cited by examiner

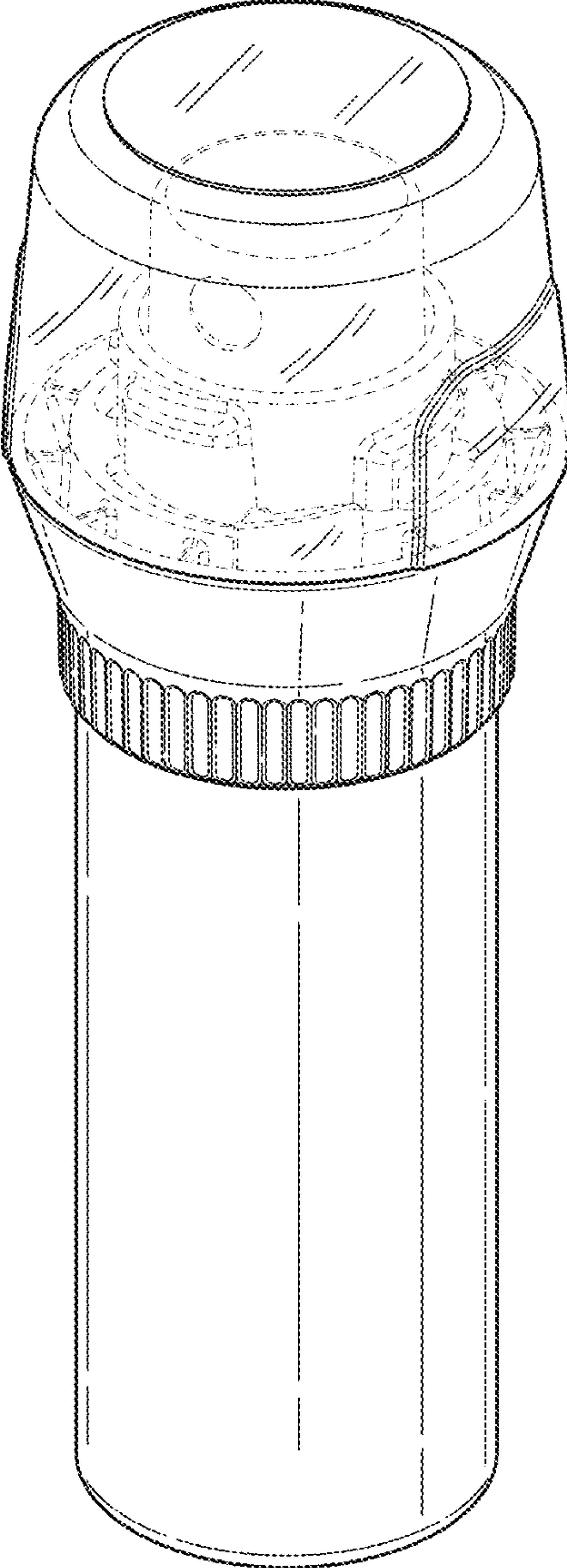


Fig. 1

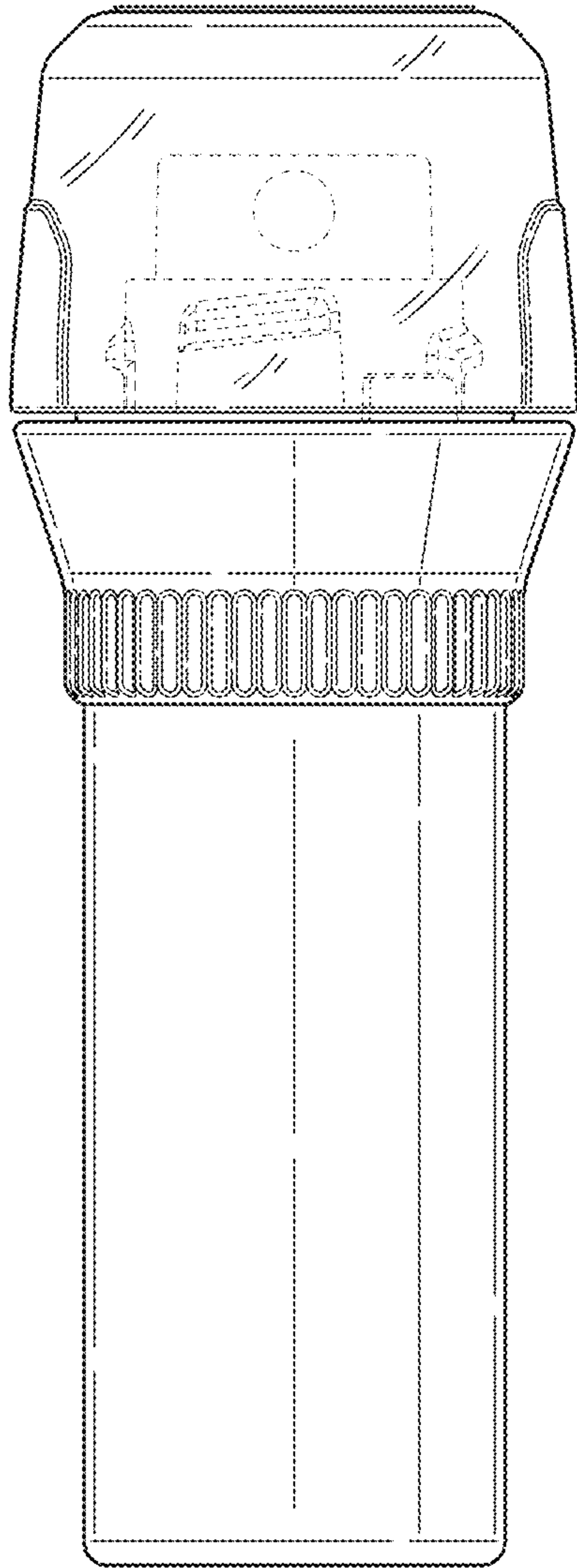


Fig. 2

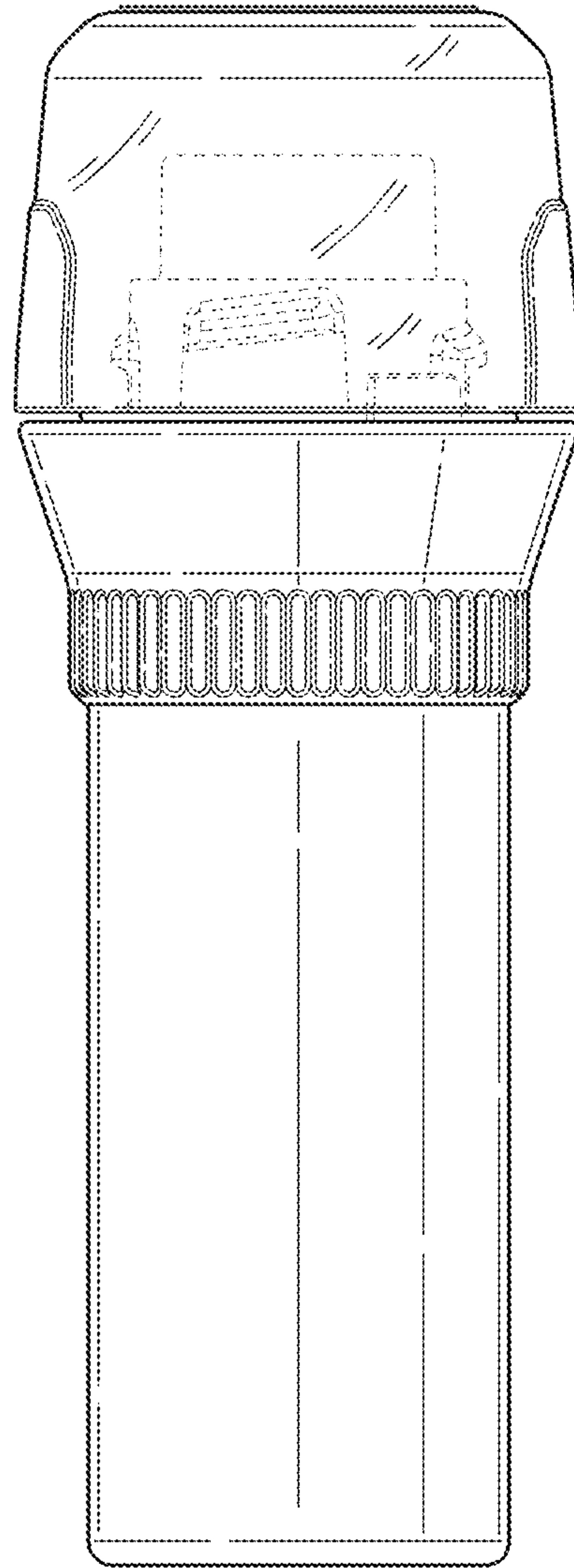


Fig. 3

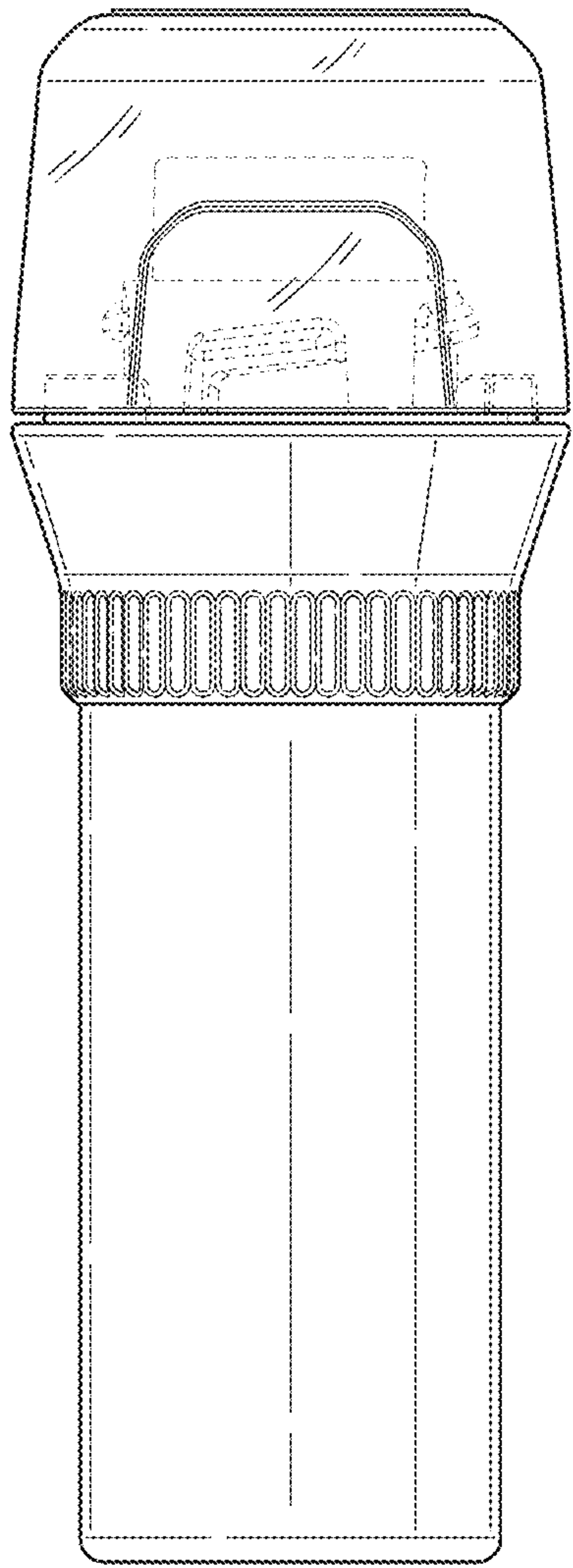


Fig. 4

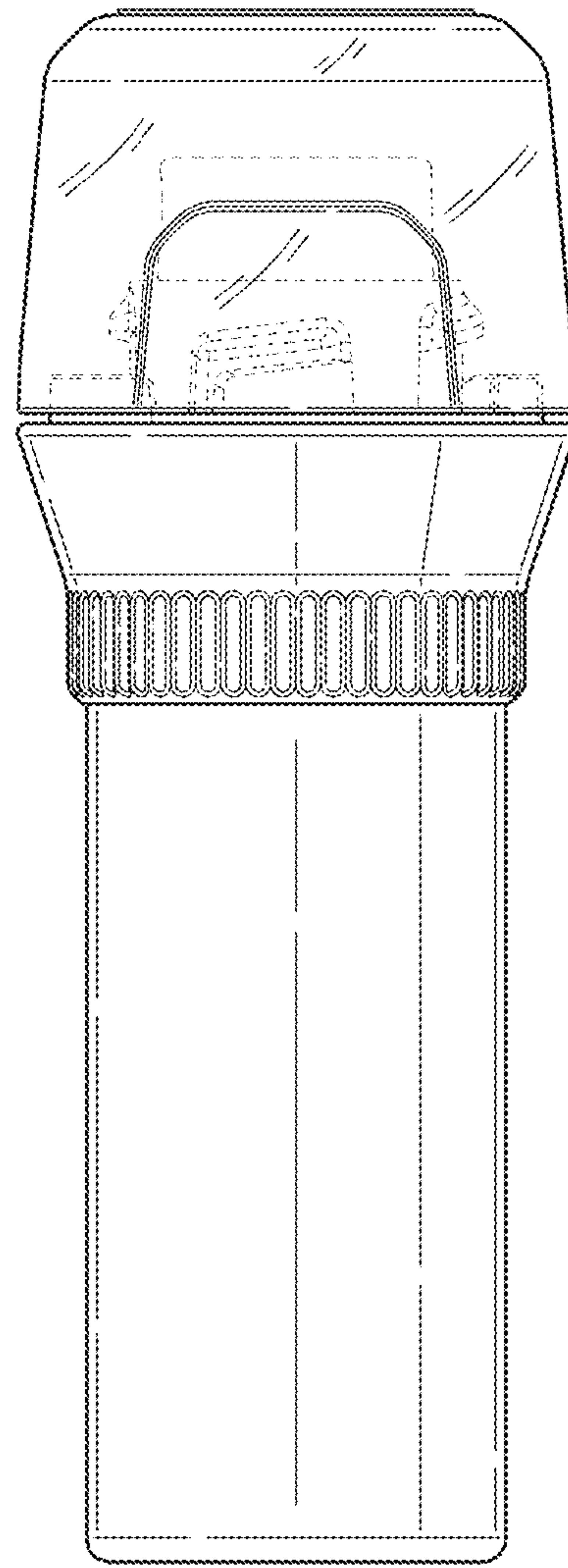


Fig. 5

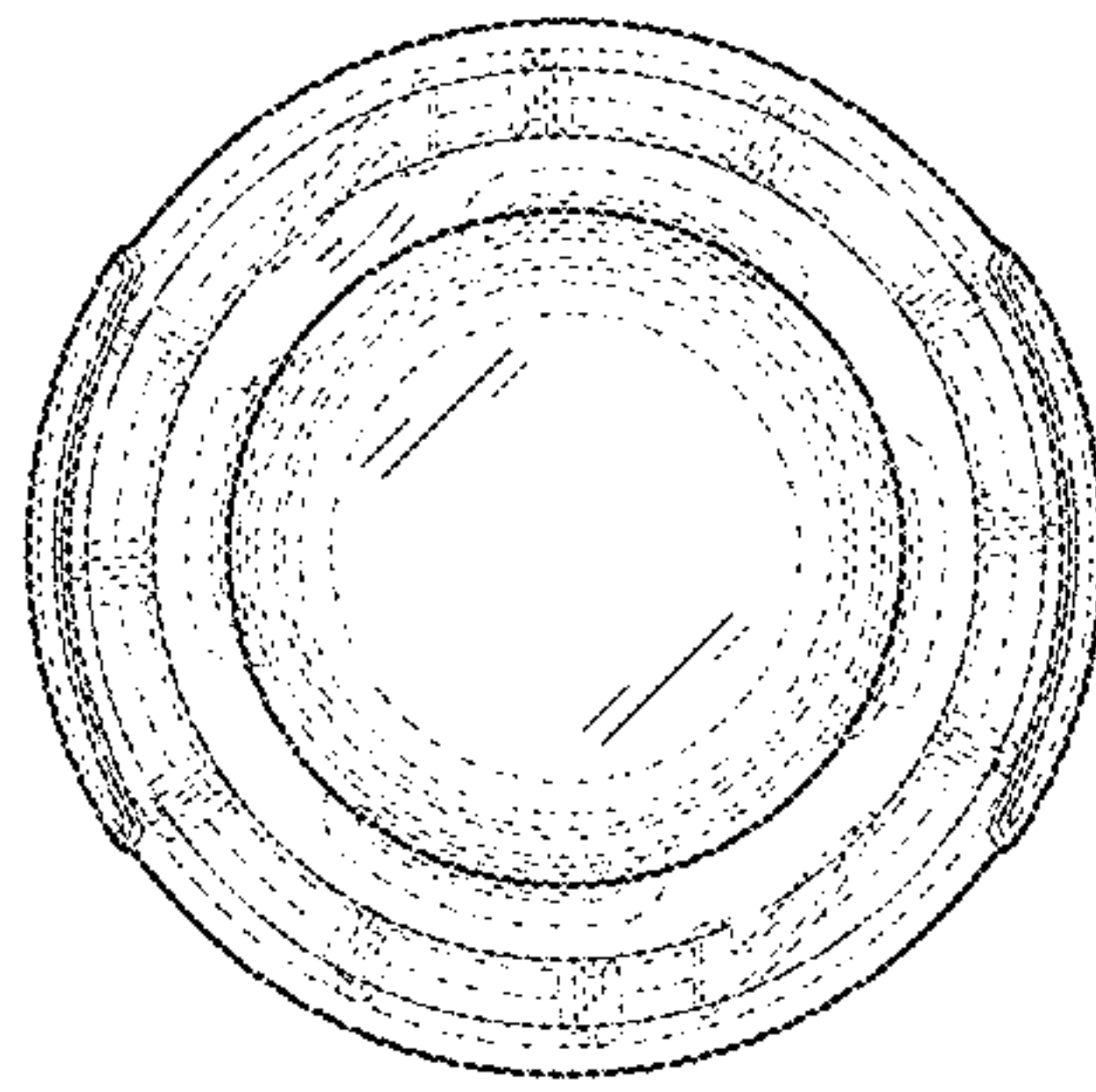


Fig. 6

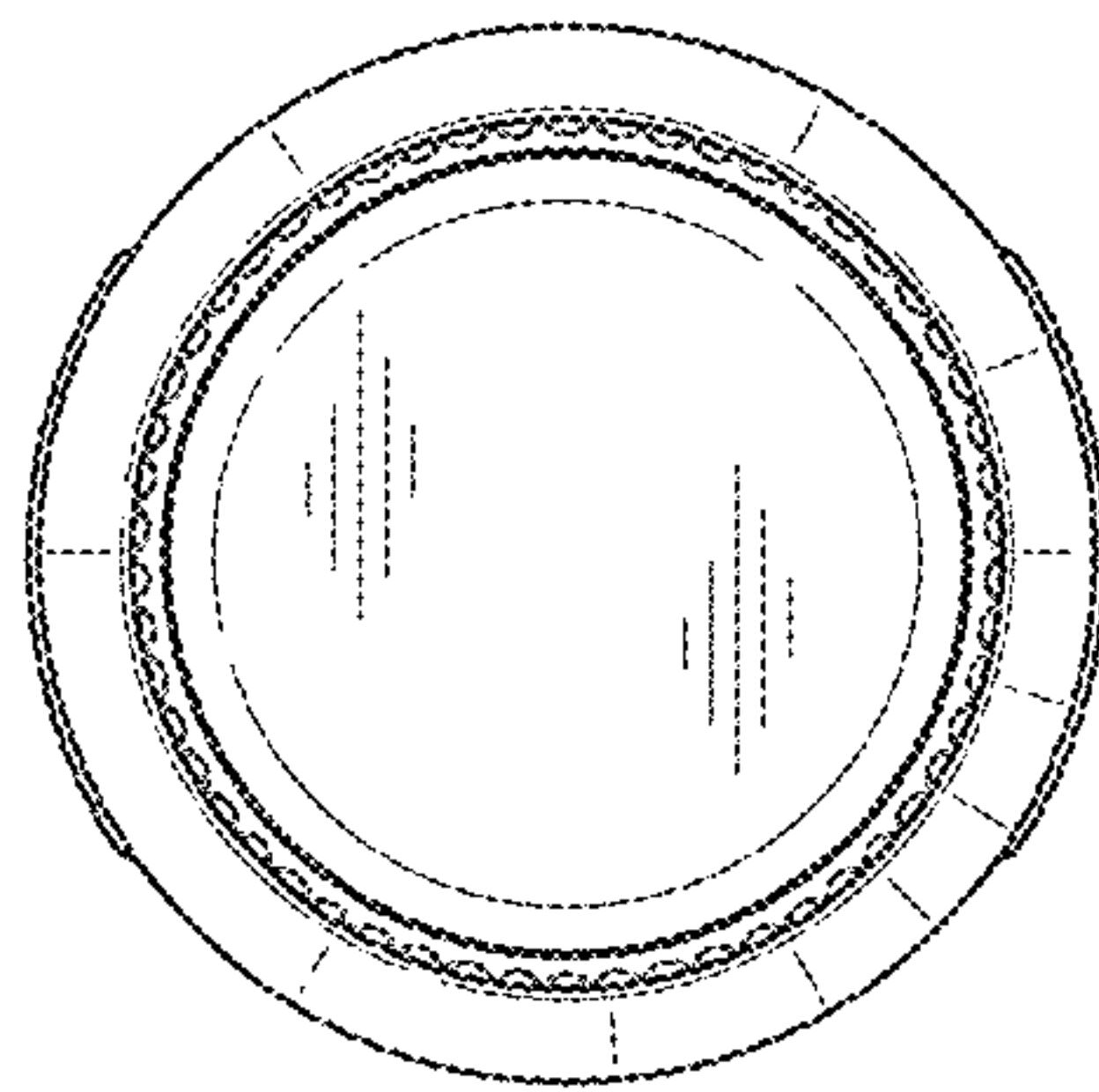


Fig. 7