



US00D800568S

(12) **United States Design Patent** (10) **Patent No.:** **US D800,568 S**  
**Matthieu** (45) **Date of Patent:** **\*\* Oct. 24, 2017**

(54) **AEROSOL CONTAINER**  
(71) Applicant: **PLASTIPAK BAWT S.À R.L.**,  
Bascharage (LU)  
(72) Inventor: **Natalia Matthieu**, Antwerp (BE)  
(73) Assignee: **Plastipak BAWT S.ar.l.**, Bascharage  
(LU)  
(\*\*) Term: **15 Years**  
(21) Appl. No.: **35/500,525**  
(22) Filed: **Nov. 17, 2015**  
(80) **Hague Agreement Data**  
Int. Filing Date: **Nov. 17, 2015**  
Int. Reg. No.: **DM/088958**  
Int. Reg. Date: **Nov. 17, 2015**  
Int. Reg. Pub. Date: **Jan. 29, 2016**

D409,919 S \* 5/1999 Young ..... D9/520  
D435,219 S \* 12/2000 Williams ..... D9/520  
D443,519 S \* 6/2001 Warner ..... D9/538  
D469,697 S \* 2/2003 Herrin ..... D9/538  
D534,080 S \* 12/2006 Mody ..... D9/516  
D556,044 S \* 11/2007 Hirata ..... D9/520  
D556,580 S \* 12/2007 Yamada ..... D9/454  
D565,961 S \* 4/2008 Dellevigne ..... D9/550  
D576,049 S \* 9/2008 Trollope ..... D9/520  
D576,886 S \* 9/2008 Venkataraman ..... D9/550  
D577,291 S \* 9/2008 Kinmont ..... D9/516  
D587,120 S \* 2/2009 Meillerais ..... D9/520  
D608,209 S \* 1/2010 Lepoitevin ..... D9/538  
D609,108 S \* 2/2010 George ..... D9/520  
D617,204 S \* 6/2010 Lauret ..... D9/520  
D624,826 S \* 10/2010 Lepoitevin ..... D9/520  
D664,038 S \* 7/2012 Jenkins ..... D9/503  
D727,159 S \* 4/2015 Barjon ..... D9/500  
D752,445 S \* 3/2016 Jasso Gomez ..... D9/537  
D760,084 S \* 6/2016 Steward ..... D9/537

\* cited by examiner

*Primary Examiner* — Richard E Chilcot  
(74) *Attorney, Agent, or Firm* — Fishman Stewart PLLC

(30) **Foreign Application Priority Data**  
May 18, 2015 (EP) ..... 002702621-0001  
(51) **LOC (10) Cl.** ..... **09-01**  
(52) **U.S. Cl.**  
USPC ..... **D9/537**  
CPC ..... **B65D 1/00** (2013.01)  
(58) **Field of Classification Search**  
USPC ..... D9/516–575  
CPC ..... B65D 1/00; B65D 1/0223; B65D 1/0261;  
B65D 1/40; B65D 1/42; B65D 1/44;  
B65D 23/00; B65D 23/102; B65D  
2501/00; B65D 2501/0009; B65D  
2501/0018; B65D 2501/0027; B65D  
2501/0036; B65D 2501/004  
See application file for complete search history.

(56) **References Cited**  
U.S. PATENT DOCUMENTS  
D358,547 S \* 5/1995 Darr ..... D9/520  
D383,677 S \* 9/1997 Darr ..... D9/520

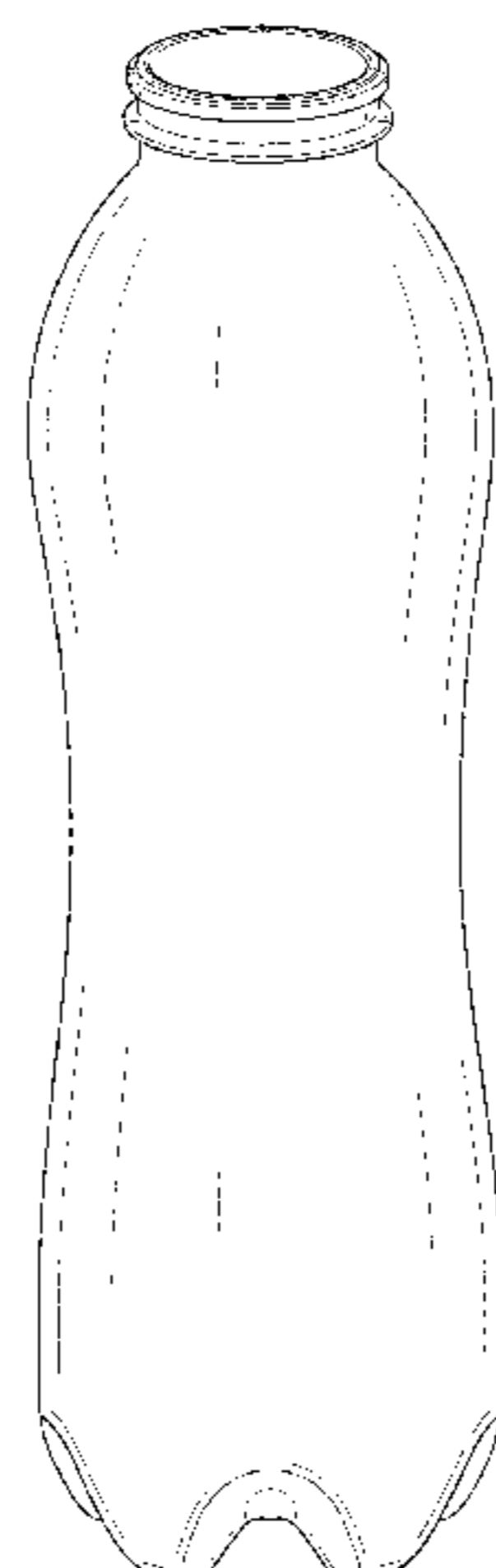
(57) **CLAIM**

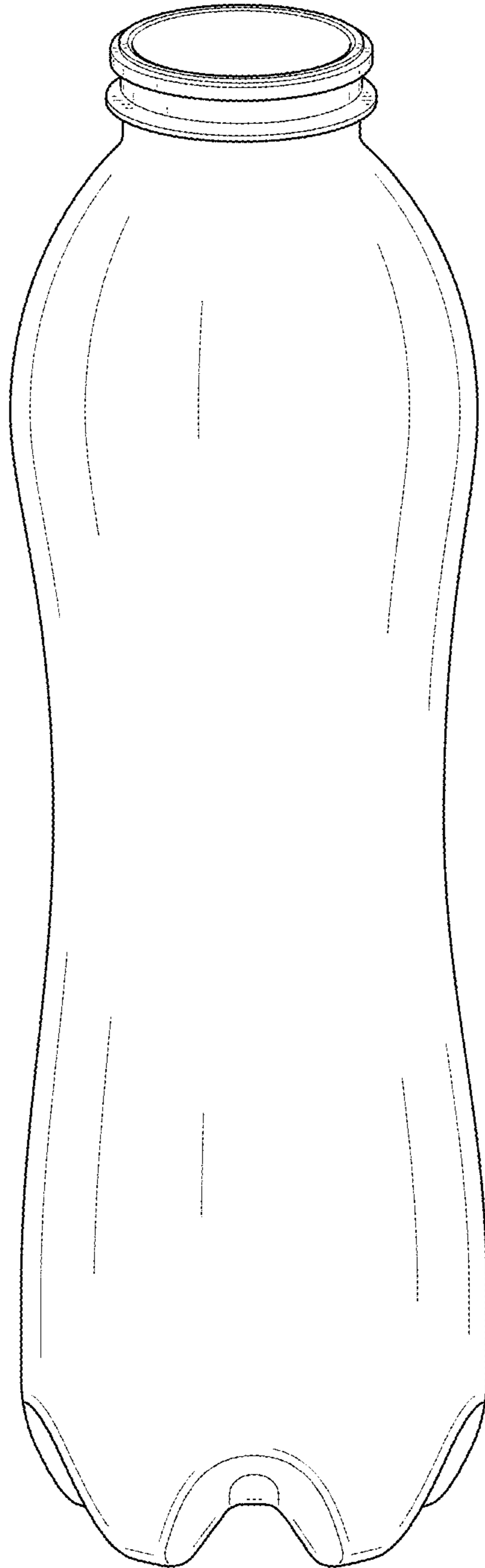
The ornamental design for an aerosol container, as shown and described.

**DESCRIPTION**

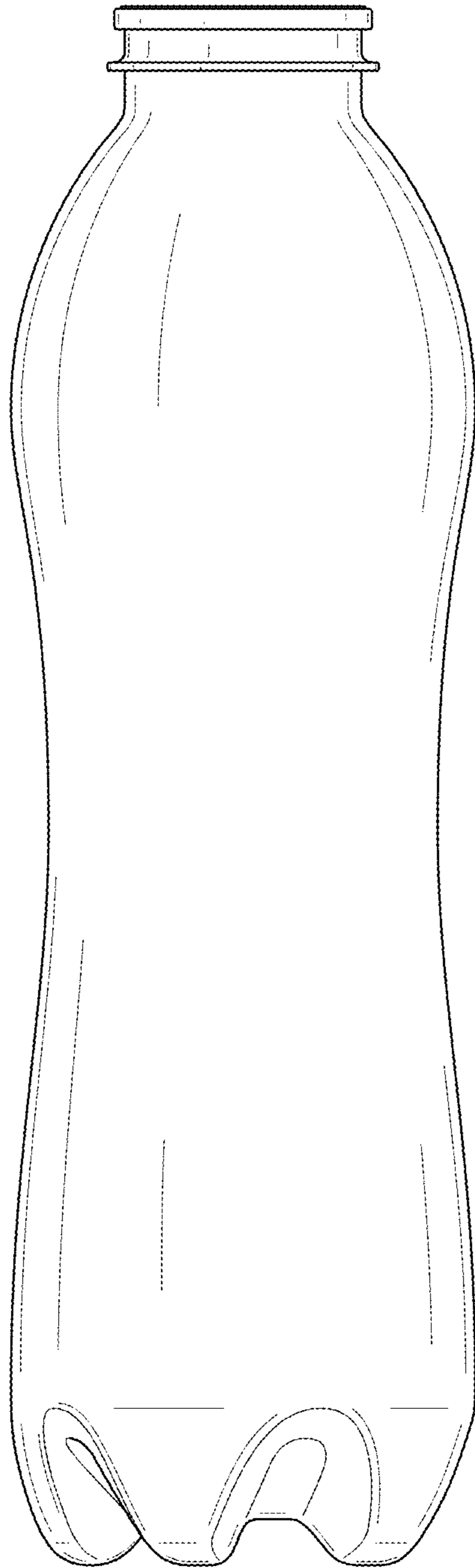
- 1. Aerosol container
- 1.1 : Perspective
- 1.2 : Front
- 1.3 : Bottom
- 1.4 : Back
- 1.5 : Top
- 1.6 : Right
- 1.7 : Left
- 1.8 : Perspective of aerosol container of Figure 1.1 rotated slightly

**1 Claim, 8 Drawing Sheets**

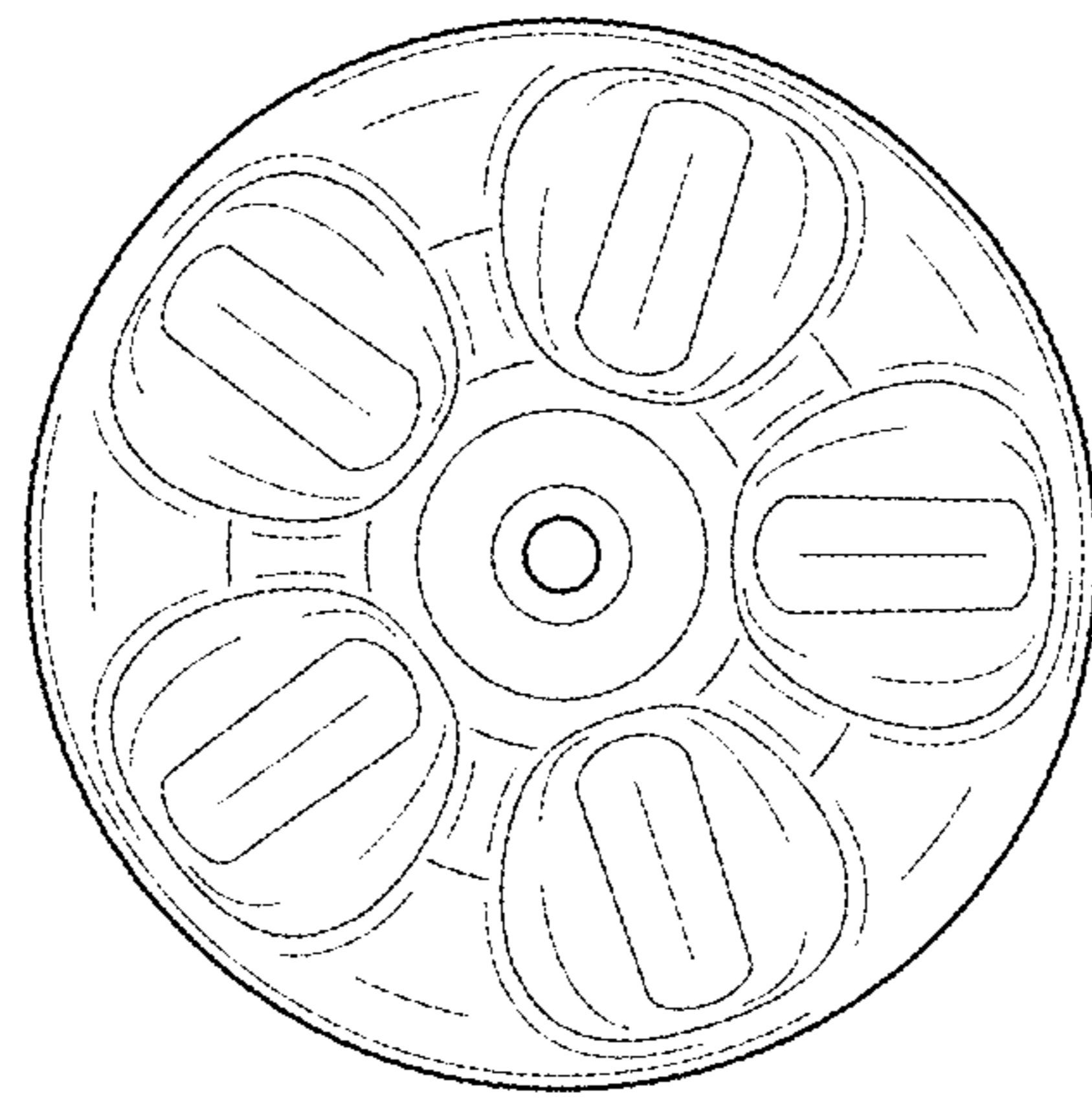




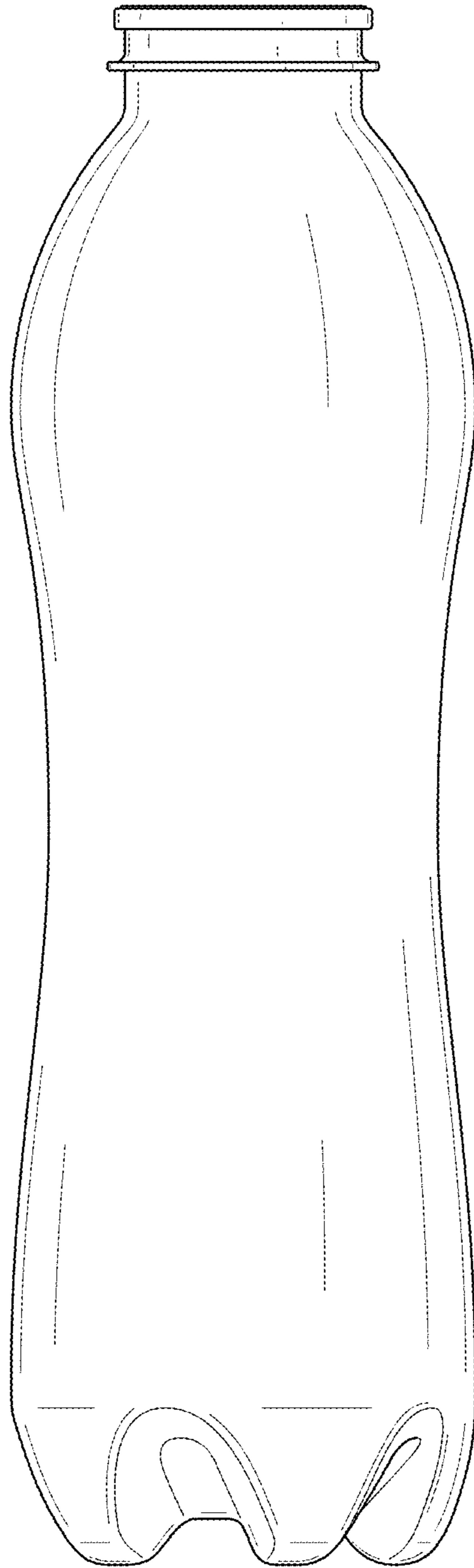
1.1



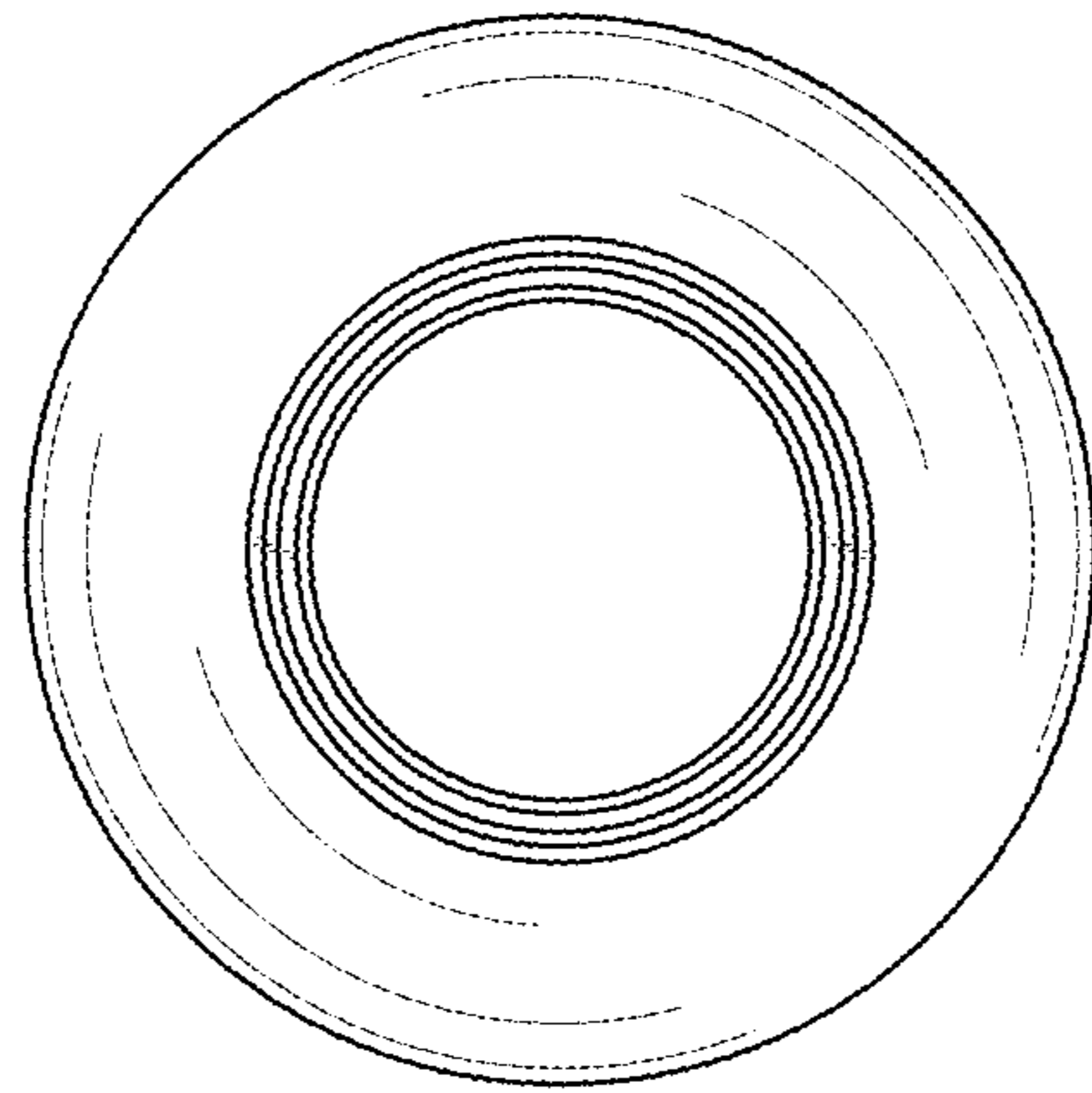
1.2



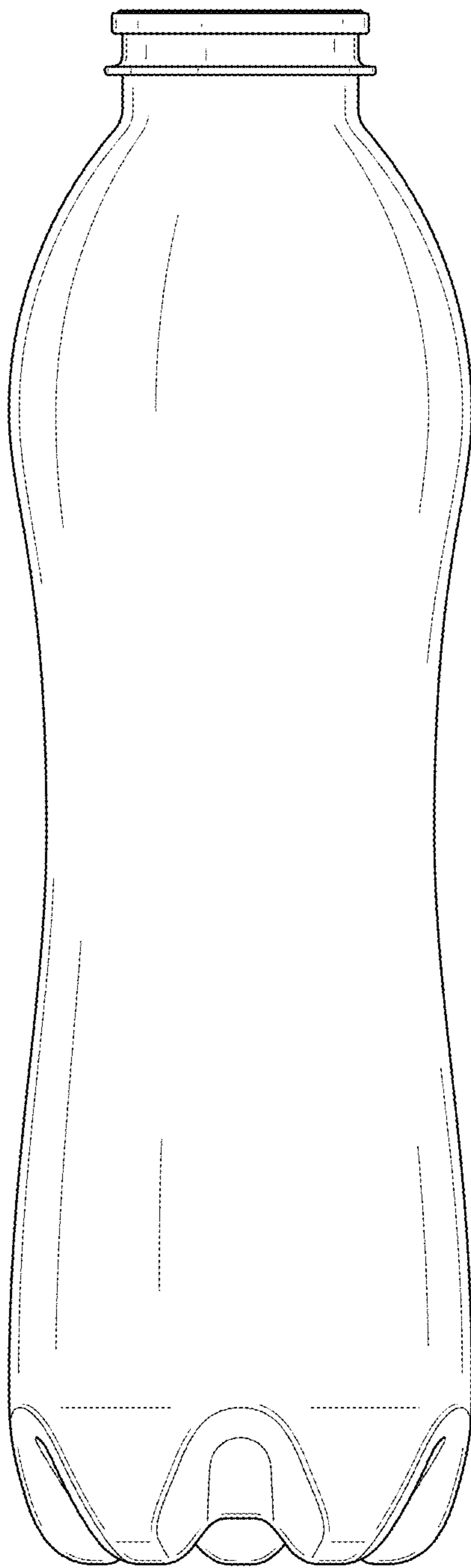
1.3



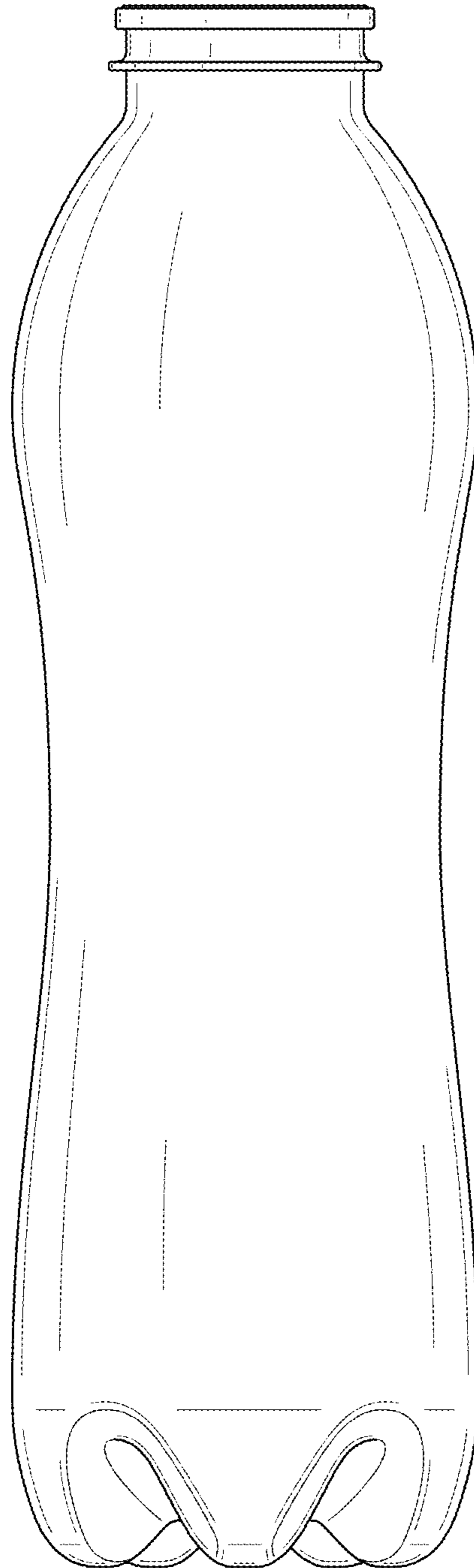
1.4



1.5

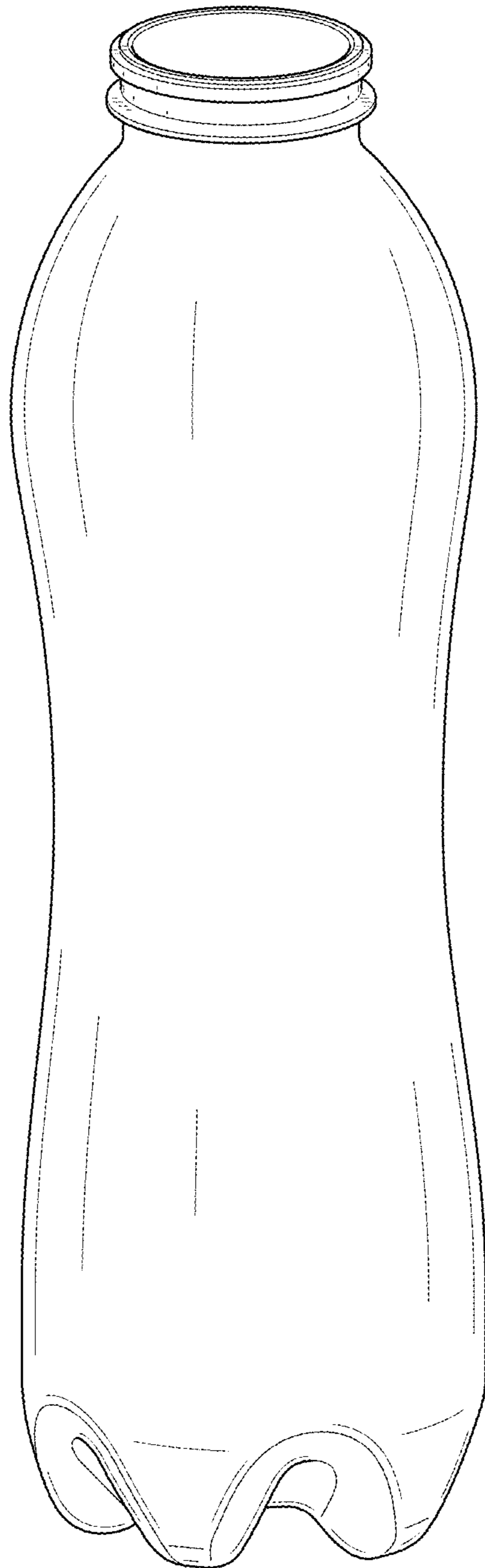


1.6



1.7





1.8