



US00D800565S

(12) **United States Design Patent** (10) **Patent No.:** **US D800,565 S**
Bonaventura (45) **Date of Patent:** **** Oct. 24, 2017**

(54) **SPRAYER CONTAINER**
(71) Applicant: **Jason Bonaventura**, New York Mills, NY (US)
(72) Inventor: **Jason Bonaventura**, New York Mills, NY (US)
(73) Assignee: **The Fountainhead Group, Inc.**, New York Mills, NY (US)
(**) Term: **15 Years**

5,064,101 A * 11/1991 Richter B65D 1/20
141/351
D404,640 S * 1/1999 Dunnegan D15/152
D431,472 S * 10/2000 Cain D9/524
D515,931 S * 2/2006 Lintermans D9/523
D527,639 S * 9/2006 Voss B65D 1/18
D9/528
D543,465 S * 5/2007 Meeker D9/528
D543,855 S * 6/2007 Cardinal D9/524
D549,100 S * 8/2007 Bonaldes D9/516
D718,634 S * 12/2014 DiBiasio D9/516
D742,236 S * 11/2015 Jacobs D9/528
D767,719 S * 9/2016 Henshaw D23/225

* cited by examiner

(21) Appl. No.: **29/573,462**
(22) Filed: **Aug. 5, 2016**
(51) **LOC (10) Cl.** **09-01**
(52) **U.S. Cl.**
USPC **D9/524; D9/520; D9/528; D23/225**

Primary Examiner — Anhdao Doan
Assistant Examiner — Mary Malley
(74) *Attorney, Agent, or Firm* — Bond Schoeneck & King, PLLC; George McGuire

(58) **Field of Classification Search**
USPC D9/651, 658, 523–524, 528, 530–535, D9/548, 549–550, 574, 575, 520, 522, D9/526, 527, 553, 555, 556, 557, D9/563–570, 742, 516, 719; 215/381–385, 10; 220/660, 669, 679, 220/752; D23/211.1, 225; 206/510
CPC B65D 23/00; B65D 23/10; B65D 1/00; B65D 1/02; B65D 21/00; B65D 21/02; B65D 21/0201; B65D 21/0209; B65D 21/0233; B65D 21/0234; B65D 21/0237; B65D 1/10; B65D 1/40; B65D 1/42; B65D 11/04; B65D 2501/0081; B65D 2101/0053; B65D 1/0223; B65D 25/282; B65D 25/2811; B65D 25/2808; B65D 25/2805; B65D 1/20; B65D 21/0231
See application file for complete search history.

(57) **CLAIM**

The ornamental design for a sprayer container, as shown and described.

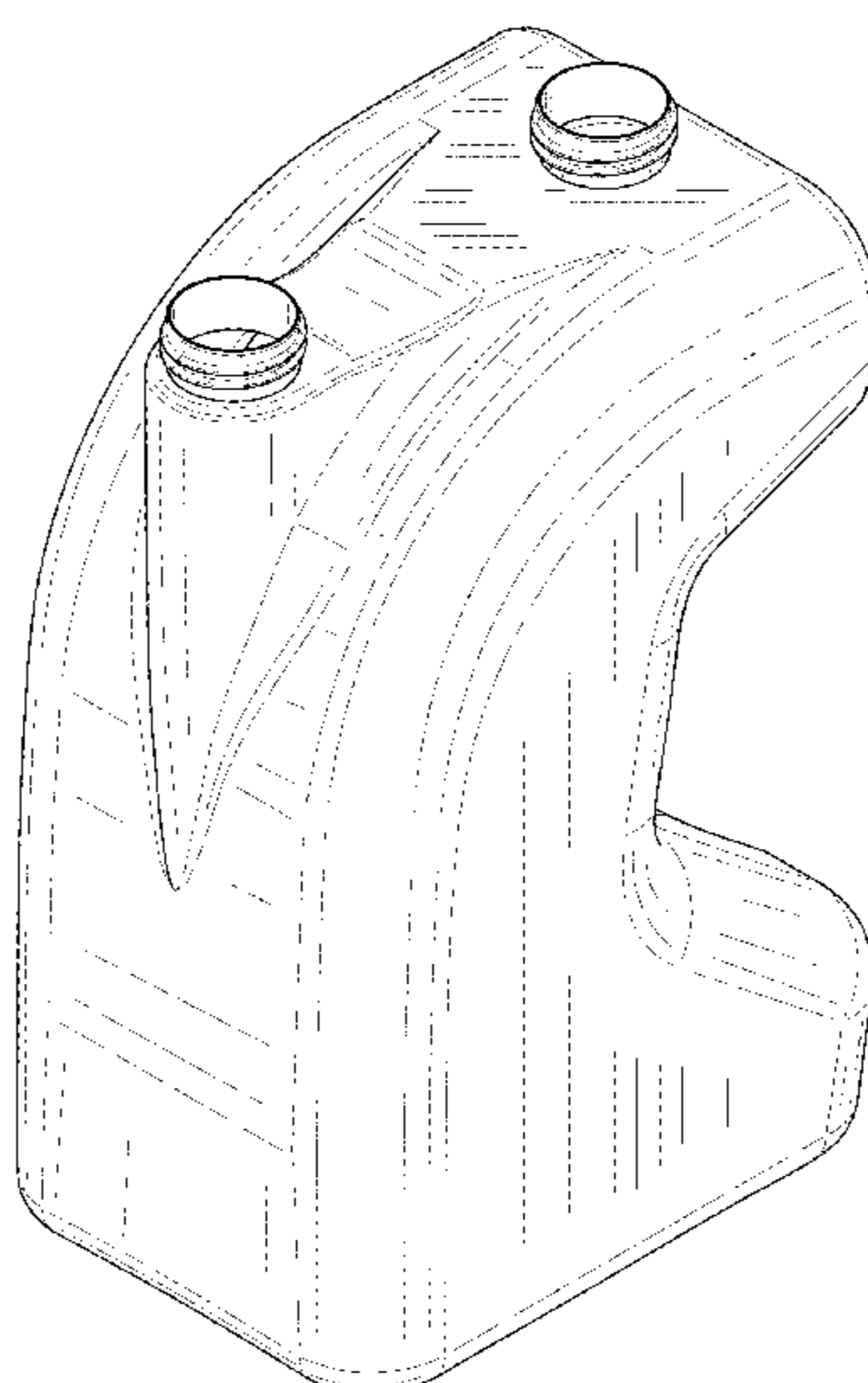
DESCRIPTION

FIG. 1 is a front perspective view of a sprayer container; FIG. 2 is a rear perspective view of the sprayer container shown in FIG. 1; FIG. 3 is a front elevation view of the sprayer container shown in FIG. 1; and FIG. 4 is a rear elevation view of the sprayer container shown in FIG. 1; FIG. 5 is a left side elevation view of the sprayer container shown in FIG. 1; FIG. 6 is a right side elevation view of the sprayer container shown in FIG. 1; FIG. 7 is a top plan view of the sprayer container shown in FIG. 1; and, FIG. 8 is a bottom plan view of the sprayer container shown in FIG. 1.

(56) **References Cited**
U.S. PATENT DOCUMENTS

D245,577 S * 8/1977 Smythe D9/524
D258,937 S * 4/1981 Kneer D9/520

1 Claim, 8 Drawing Sheets



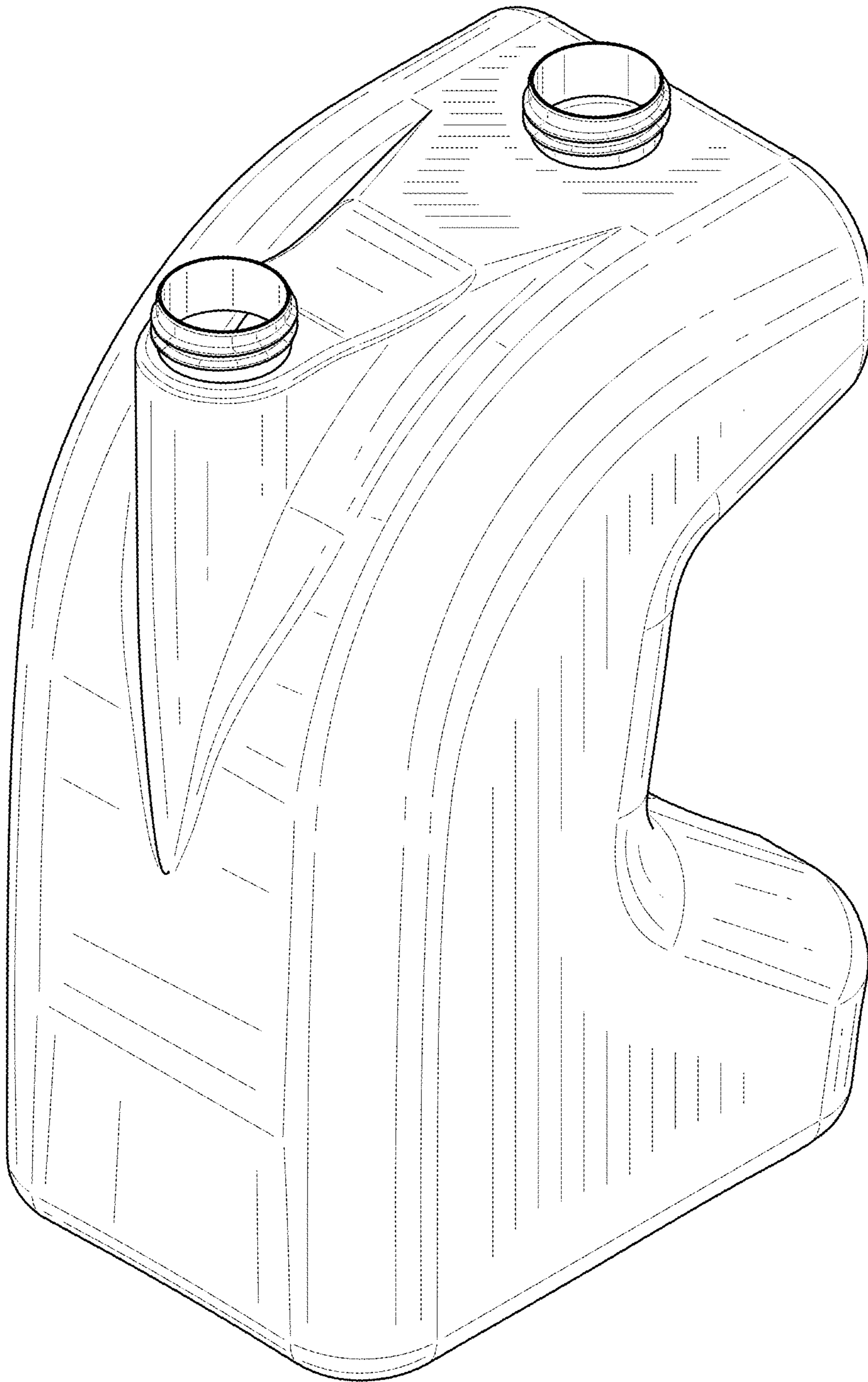


FIG. 1

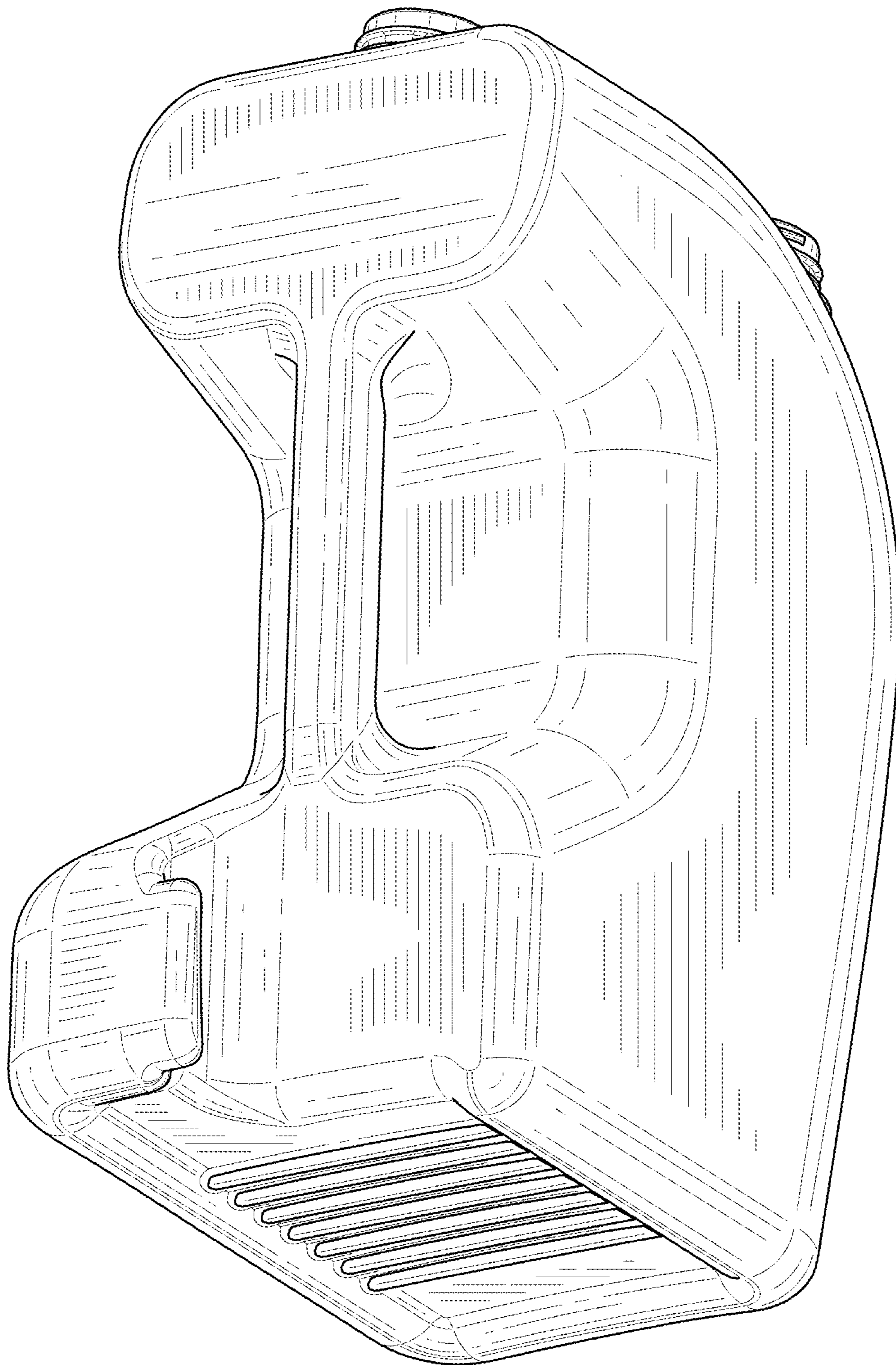


FIG. 2

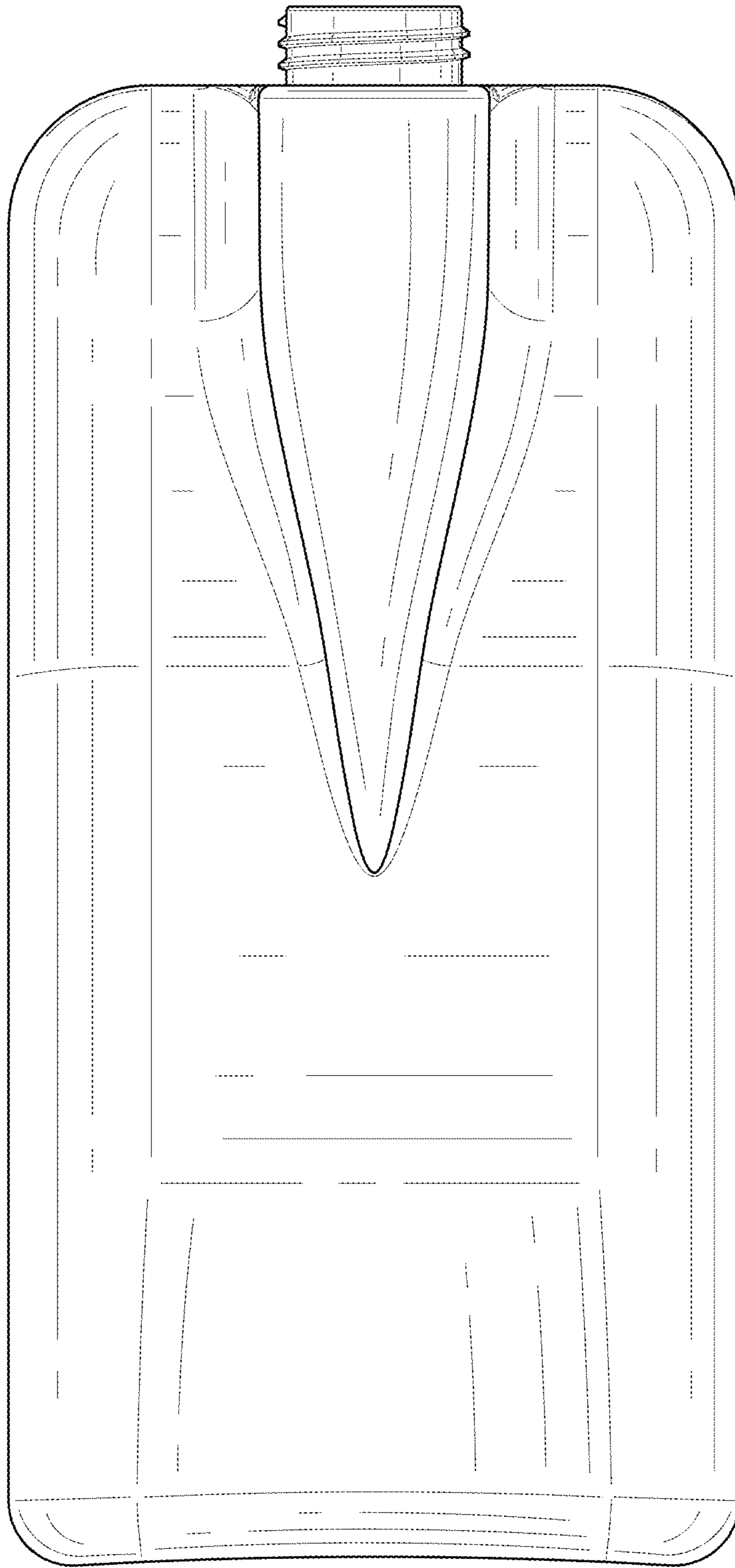


FIG. 3

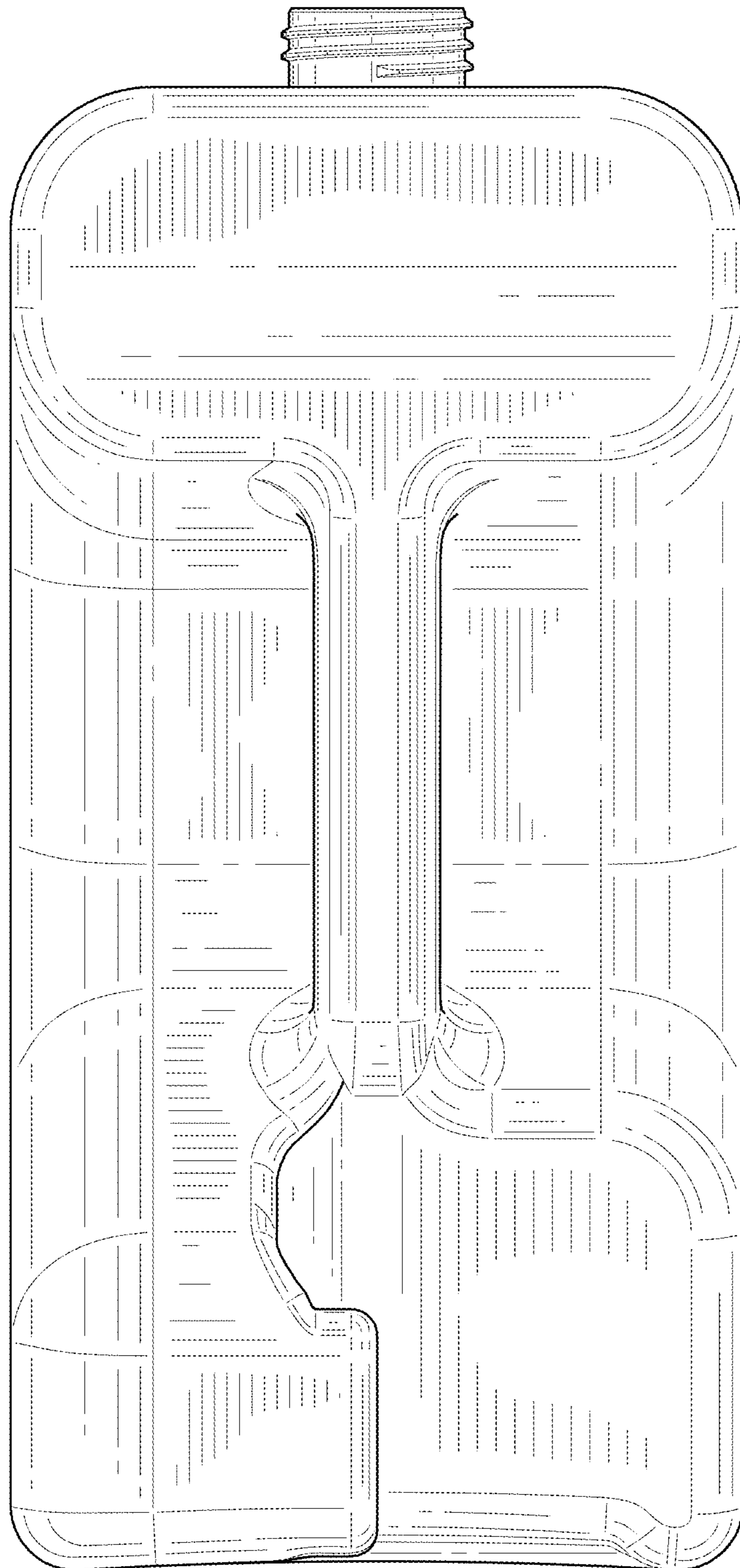


FIG. 4

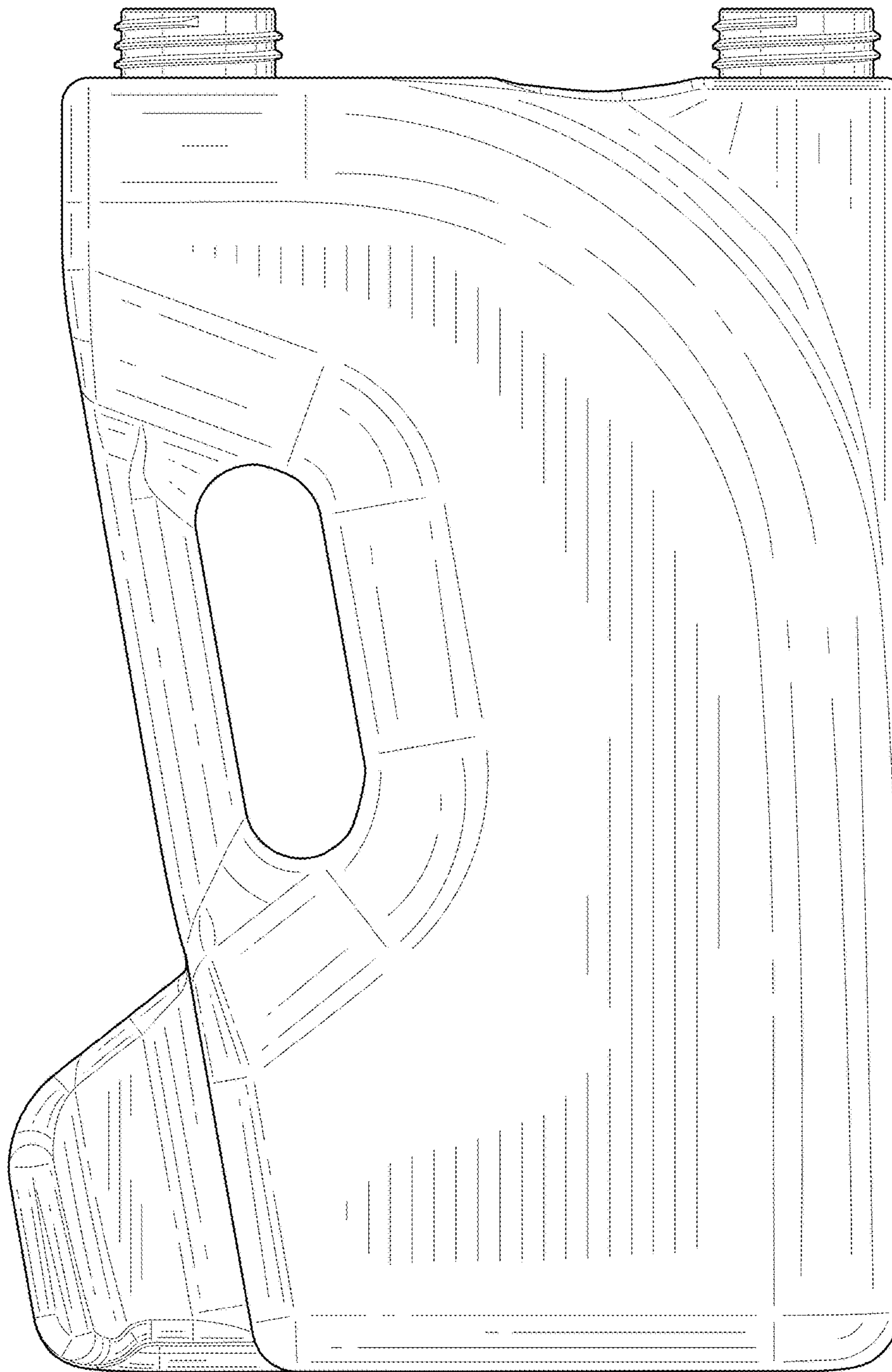


FIG. 5

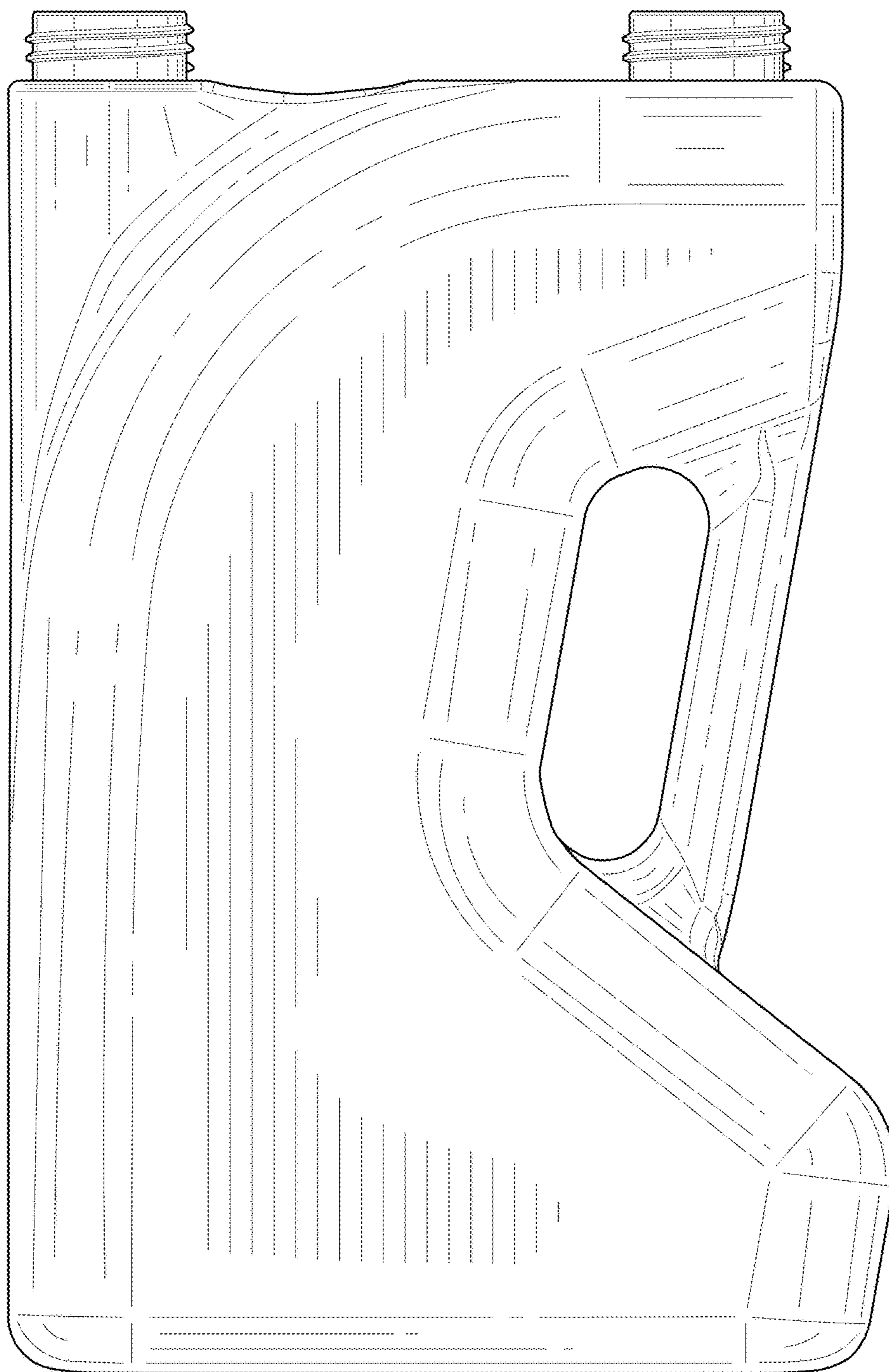


FIG. 6

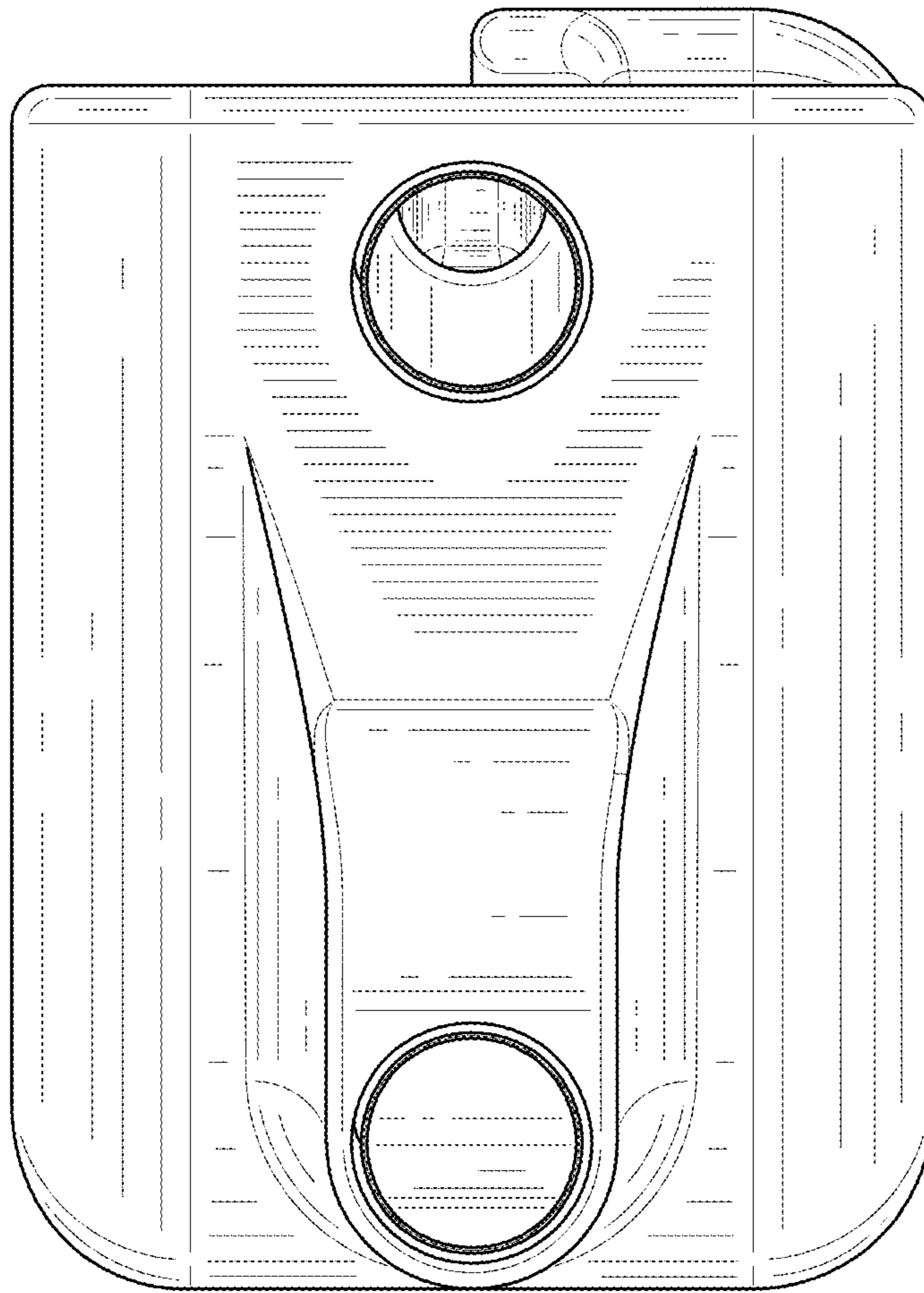


FIG. 7

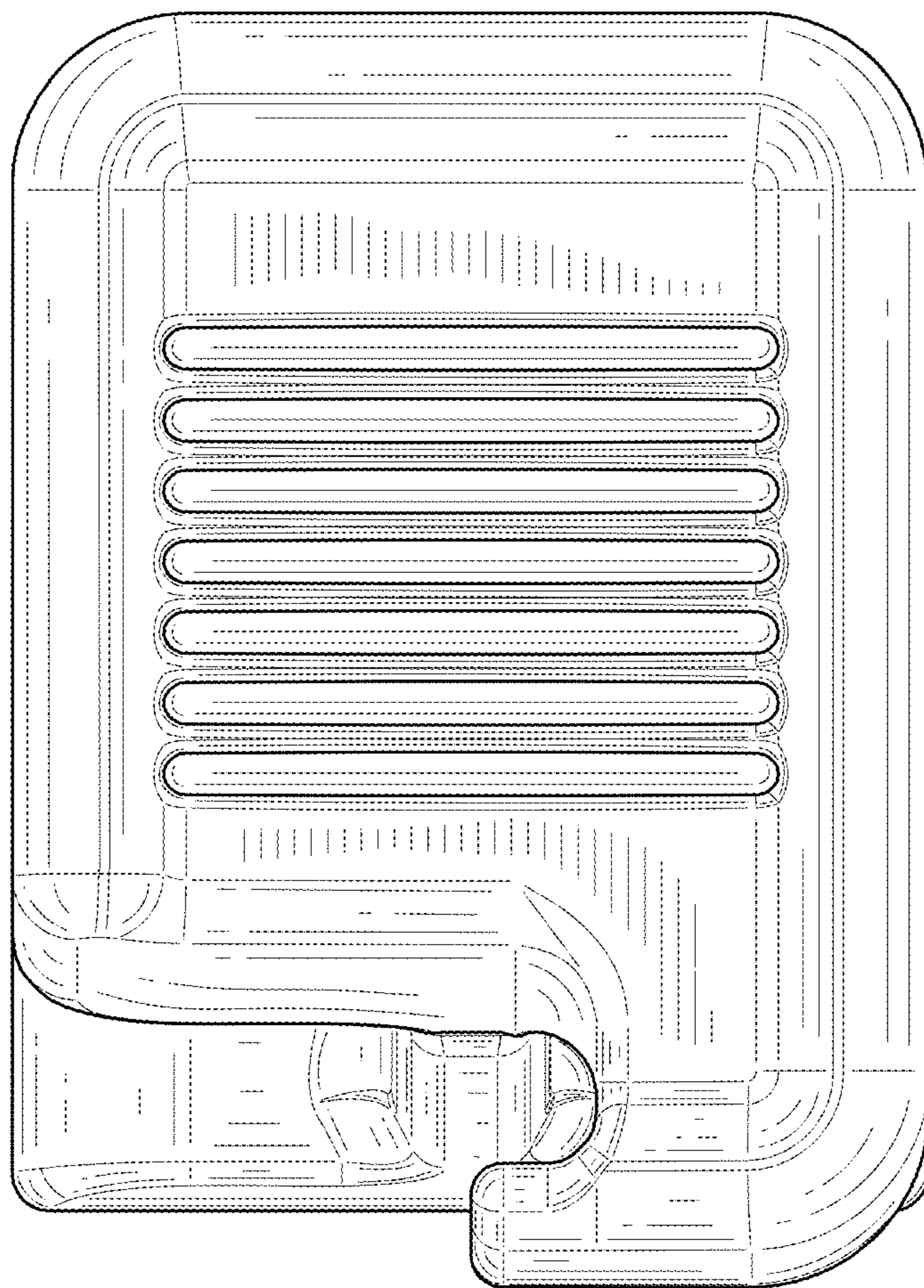


FIG. 8