



US00D800560S

(12) **United States Design Patent**
Lang et al.

(10) **Patent No.:** **US D800,560 S**

(45) **Date of Patent:** **** Oct. 24, 2017**

(54) **BOTTLE**

(71) Applicant: **S.C. Johnson & Son, Inc.**, Racine, WI (US)

(72) Inventors: **Christopher F. Lang**, Racine, WI (US);
James R. Crapser, Racine, WI (US);
Thomas A. Helf, New Berlin, WI (US);
Jeffrey L. Crull, McFarland, WI (US);
Evan A. Sparks, Madison, WI (US);
Jonathan M. Dalton, Marietta, GA (US);
David J. Trettin, Atlanta, GA (US);
Spencer Dodge, Stone Mountain, GA (US);
Hee Seung Lim, Duluth, GA (US)

(73) Assignee: **S. C. Johnson & Son, Inc.**, Racine, WI (US)

(**) Term: **15 Years**

(21) Appl. No.: **29/591,538**

(22) Filed: **Jan. 20, 2017**

Related U.S. Application Data

(62) Division of application No. 29/542,604, filed on Oct. 15, 2015, now Pat. No. Des. 780,584, which is a division of application No. 29/477,411, filed on Dec. 20, 2013, now Pat. No. Des. 743,806.

(51) **LOC (10) Cl.** **09-01**

(52) **U.S. Cl.**
USPC **D9/500**

(58) **Field of Classification Search**
USPC D9/500–505, 682–694, 719, 776–782,
D9/516, 517, 519–521, 537–546,
D9/549–558, 723–726, 434–436, 440,
D9/447, 454, 499; D24/115, 117;
D28/76, 77, 91.1; D6/542
CPC B65D 1/00; B65D 1/02; B65D 1/0223;
B65D 1/023; B65D 1/0238; B65D
1/0246; B65D 1/0253; B65D 1/0261;
B65D 1/08; B65D 1/09; B65D 1/40;
B65D 1/12–1/20; B65D 83/14; B65D

83/16; B65D 83/20; B65D 83/205; B65D
83/206; B65D 83/207; B65D 83/38;
B65D 83/382; B65D 83/384; B65D
83/386; B65D 83/753; B65D 83/756;
B05B 11/00–11/3098

See application file for complete search history.

(56) **References Cited**

U.S. PATENT DOCUMENTS

D35,069	S	*	9/1901	Lorenz	D9/772
D93,940	S	*	11/1934	McManus	D9/500
D148,101	S	*	12/1947	Wilde	D9/777
3,214,830	A	*	11/1965	Piker	B65D 23/00
						215/12.2
3,343,579	A	*	9/1967	Clark	B65D 41/08
						215/335
D221,836	S	*	9/1971	Giles	D9/500
3,696,963	A	*	10/1972	Saunders	B65D 41/16
						220/315
D238,750	S	*	2/1976	Coffy	D9/500

(Continued)

Primary Examiner — Catherine Tuttle

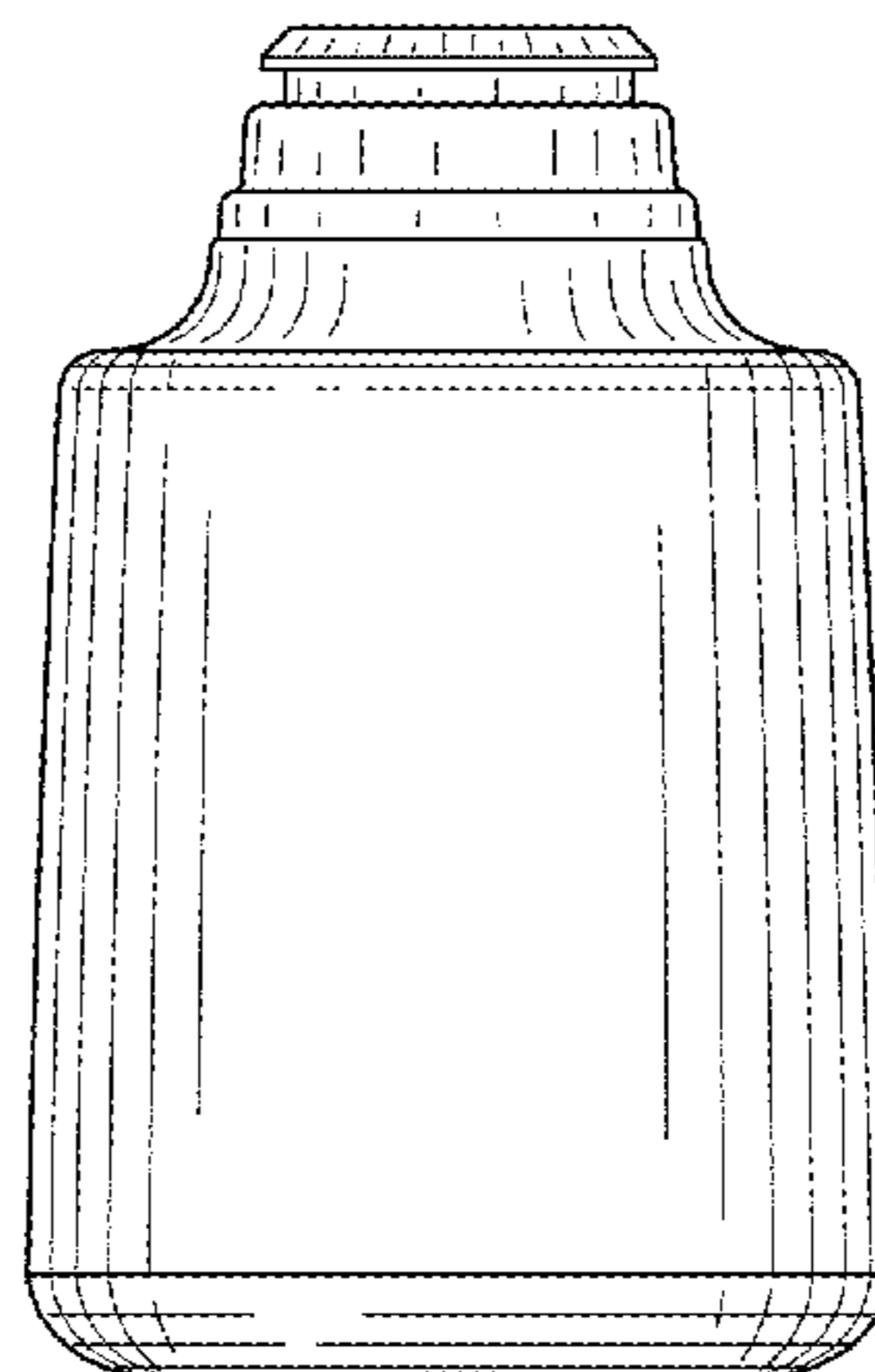
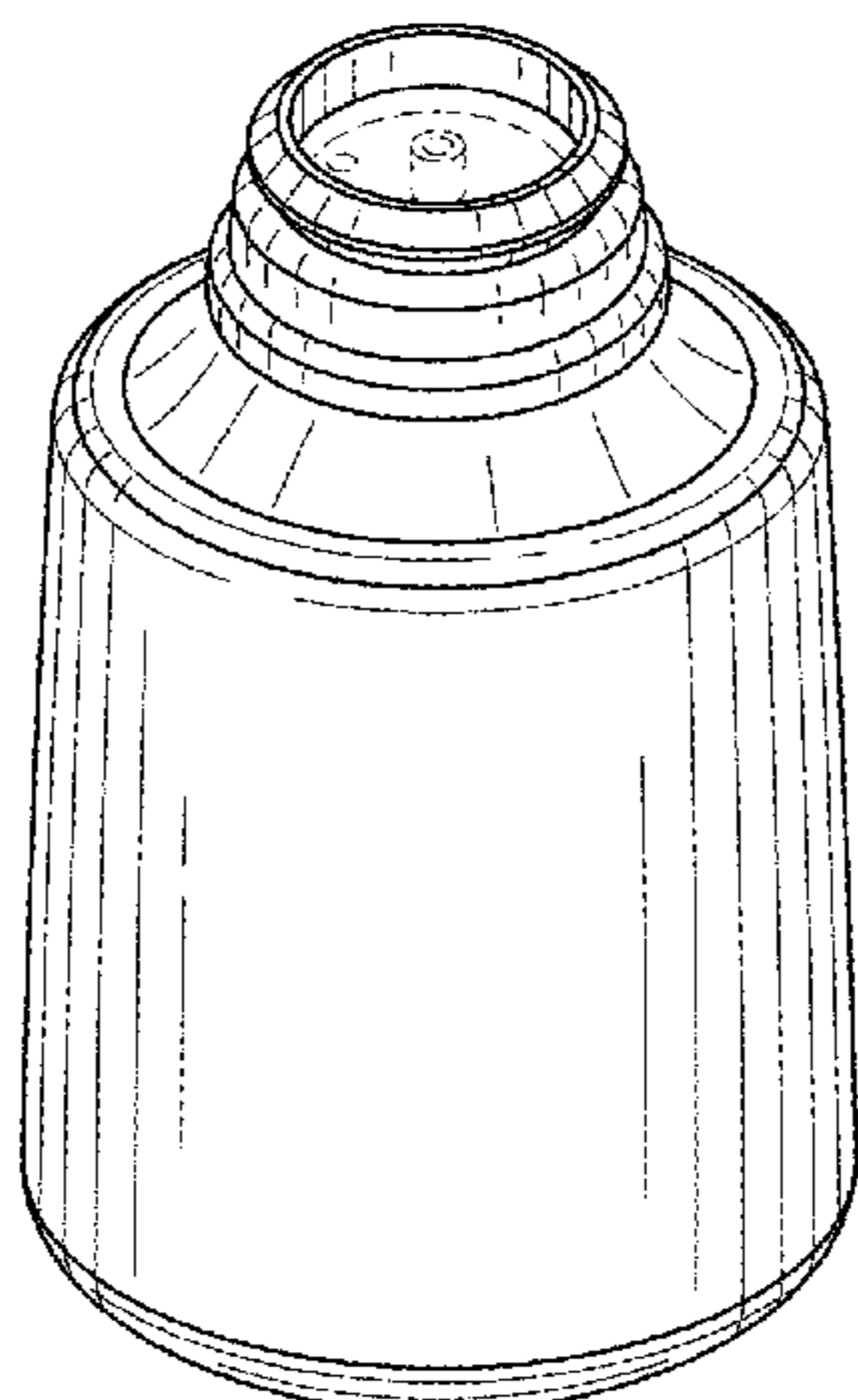
(57) **CLAIM**

The ornamental design for a bottle, as shown and described.

DESCRIPTION

FIG. 1 is a top, right, front perspective view showing our new design for a bottle;
FIG. 2 is a front elevational view thereof, the rear elevational view, the left side elevational view, and the right side elevational view being identical; and,
FIG. 3 is a top plan view thereof.
The dashed broken lines shown in FIGS. 1 and 3 are included for the purpose of illustrating a portion of the bottle that forms no part of the claimed design.

1 Claim, 2 Drawing Sheets



(56)

References Cited

U.S. PATENT DOCUMENTS

D242,599 S * 12/1976 Plummer D9/502
D253,454 S * 11/1979 Earle D9/500
D349,856 S * 8/1994 Linner D9/435
5,988,443 A * 11/1999 Smith B05B 11/0043
222/321.9
6,010,026 A * 1/2000 Diekhoff B21D 51/26
215/335
D467,805 S * 12/2002 Restrepo D9/500
6,659,313 B1 * 12/2003 MacMurdo B05B 11/0005
222/530
D633,794 S * 3/2011 Cresswell D9/500
D697,404 S * 1/2014 Johnson D9/500
D780,584 S * 3/2017 Lang D9/516
2007/0293842 A1 * 12/2007 Knight B65D 1/14
604/403
2009/0057259 A1 * 3/2009 Johnson B01L 3/508
215/247
2009/0294481 A1 * 12/2009 Sawicki B65D 1/32
222/207
2009/0311389 A1 * 12/2009 Zoss B65D 51/247
426/120
2012/0187067 A1 * 7/2012 Maas B29B 11/14
215/12.1
2014/0061233 A1 * 3/2014 Lang B05B 11/0018
222/1
2016/0256016 A1 * 9/2016 Yang A47K 5/14
2016/0362225 A1 * 12/2016 Boaventura-
Delanoe B65D 1/023

* cited by examiner

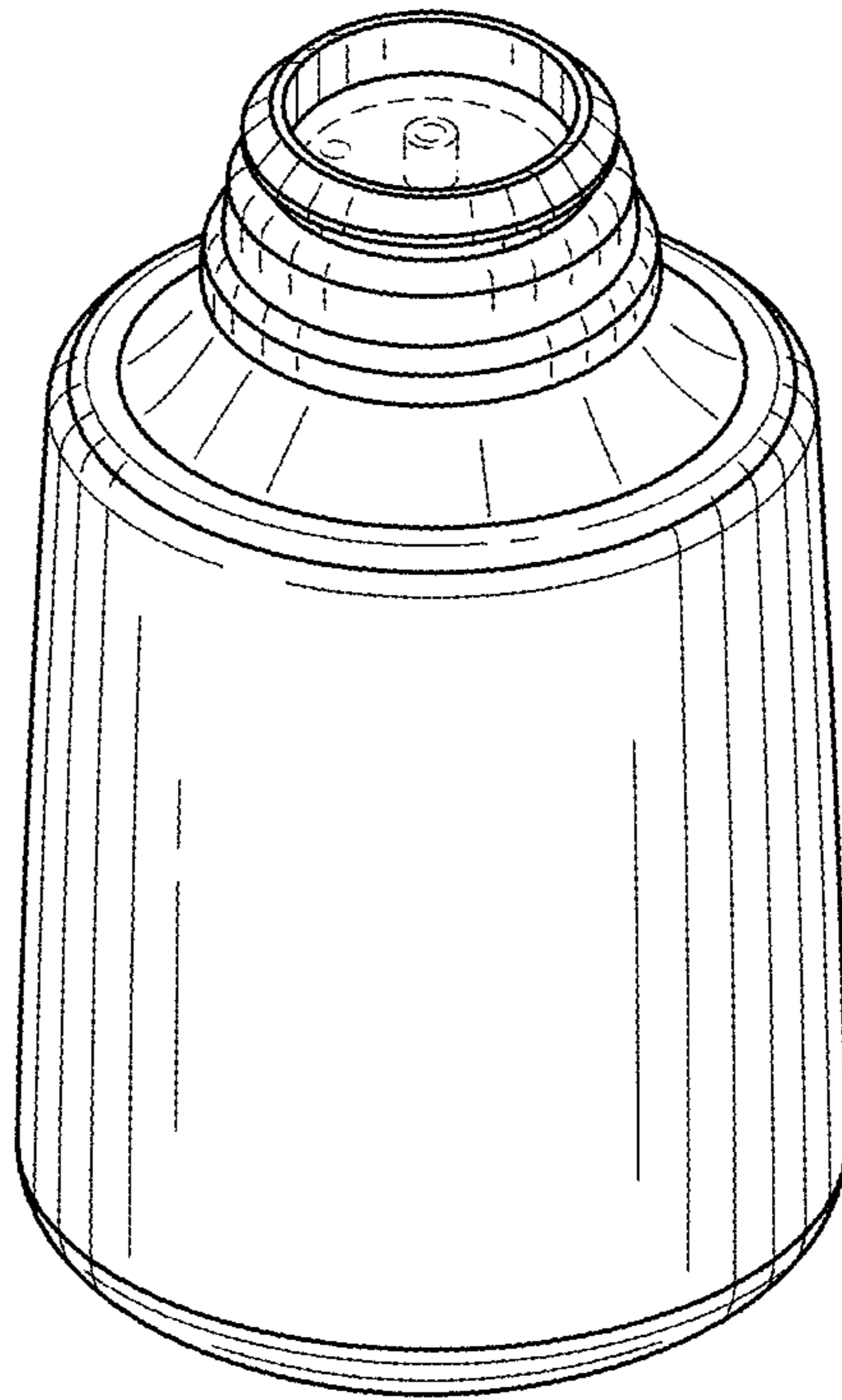


FIG. 1

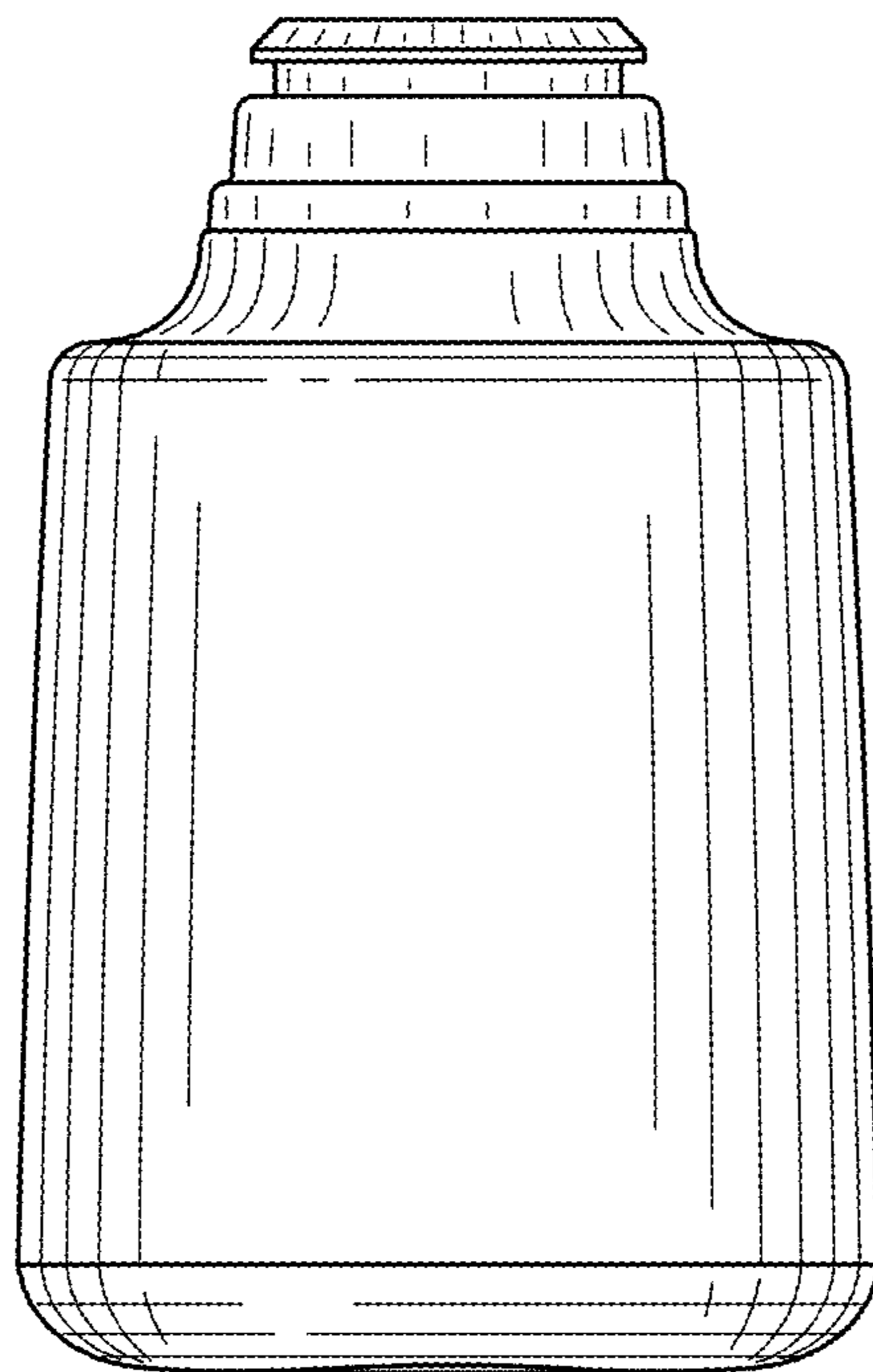


FIG. 2

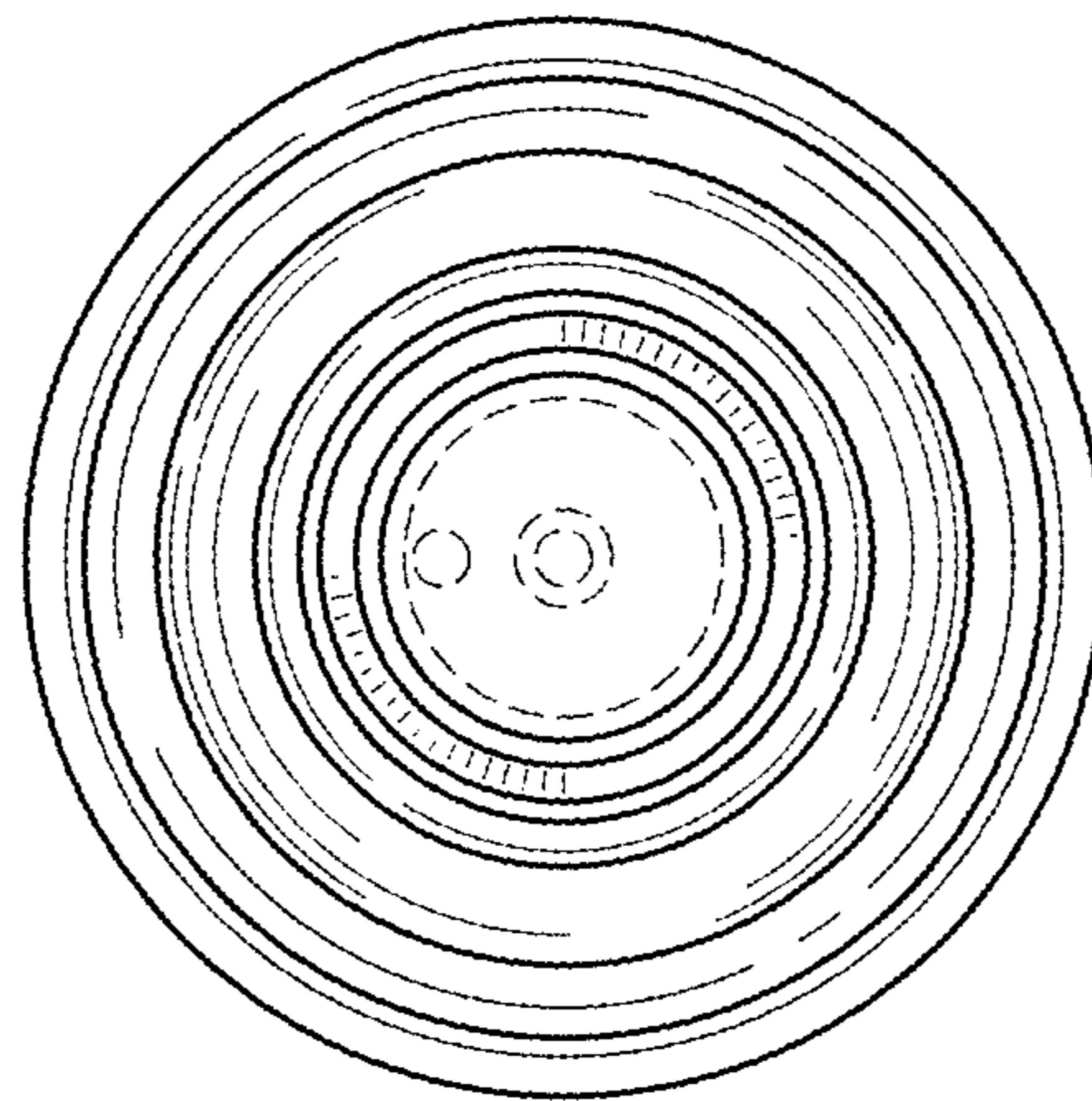


FIG. 3