



US00D800557S

(12) **United States Design Patent**  
**Nestor**

(10) **Patent No.:** **US D800,557 S**

(45) **Date of Patent:** **\*\* \*Oct. 24, 2017**

(54) **DISPOSABLE LID**

(71) Applicant: **Kathleen Nestor**, Palos Park, IL (US)

(72) Inventor: **Kathleen Nestor**, Palos Park, IL (US)

(\*) Notice: This patent is subject to a terminal disclaimer.

(\*\*) Term: **14 Years**

(21) Appl. No.: **29/489,591**

(22) Filed: **Apr. 30, 2014**

(51) **LOC (10) Cl.** ..... **09-07**

(52) **U.S. Cl.**

USPC ..... **D9/449**; D9/454

(58) **Field of Classification Search**

USPC ..... D9/435, 438, 440, 445, 447, 449, 452,  
D9/453, 454, 499, 600; D7/392.1, 396.2;  
220/254.1, 254.3–254.9, 254, 266, 268,  
220/709, 711, 712, 713; 229/906.1;  
446/48; D21/443

CPC ..... B65D 41/16; B65D 47/00

See application file for complete search history.

(56) **References Cited**

**U.S. PATENT DOCUMENTS**

D179,344 S \* 12/1956 Greenstein ..... D9/451  
4,302,901 A \* 12/1981 Psyra ..... 446/46  
4,337,950 A \* 7/1982 Gidge ..... 473/590

5,080,624 A \* 1/1992 Brinker ..... 446/48  
D420,285 S \* 2/2000 Sagan et al. .... D9/429  
D472,146 S \* 3/2003 Stone et al. .... D9/454  
D473,791 S \* 4/2003 Loris ..... D9/447  
D509,259 S \* 9/2005 Dennis ..... D21/444  
D513,983 S \* 1/2006 Erdie ..... D9/439  
D518,377 S \* 4/2006 Kortleven ..... D9/435  
D562,134 S \* 2/2008 Studee ..... D9/452  
D637,906 S \* 5/2011 Rigling et al. .... D9/446  
D704,553 S \* 5/2014 Cassens et al. .... D9/434

\* cited by examiner

*Primary Examiner* — Robert M Spear

(74) *Attorney, Agent, or Firm* — Richards Patent Law P.C.

(57) **CLAIM**

The ornamental design for a disposable lid, as shown and described.

**DESCRIPTION**

FIG. 1 is a perspective view of a disposable lid showing my new design, wherein the opening is open;

FIG. 2 is a perspective view of the disposable lid, wherein the opening is closed;

FIG. 3 is a top view thereof;

FIG. 4 is a bottom view thereof;

FIG. 5 is a front view thereof; and,

FIG. 6 is a side view thereof.

The broken lines in the drawings represent unclaimed environmental subject matter and form no part of the claim.

**1 Claim, 5 Drawing Sheets**

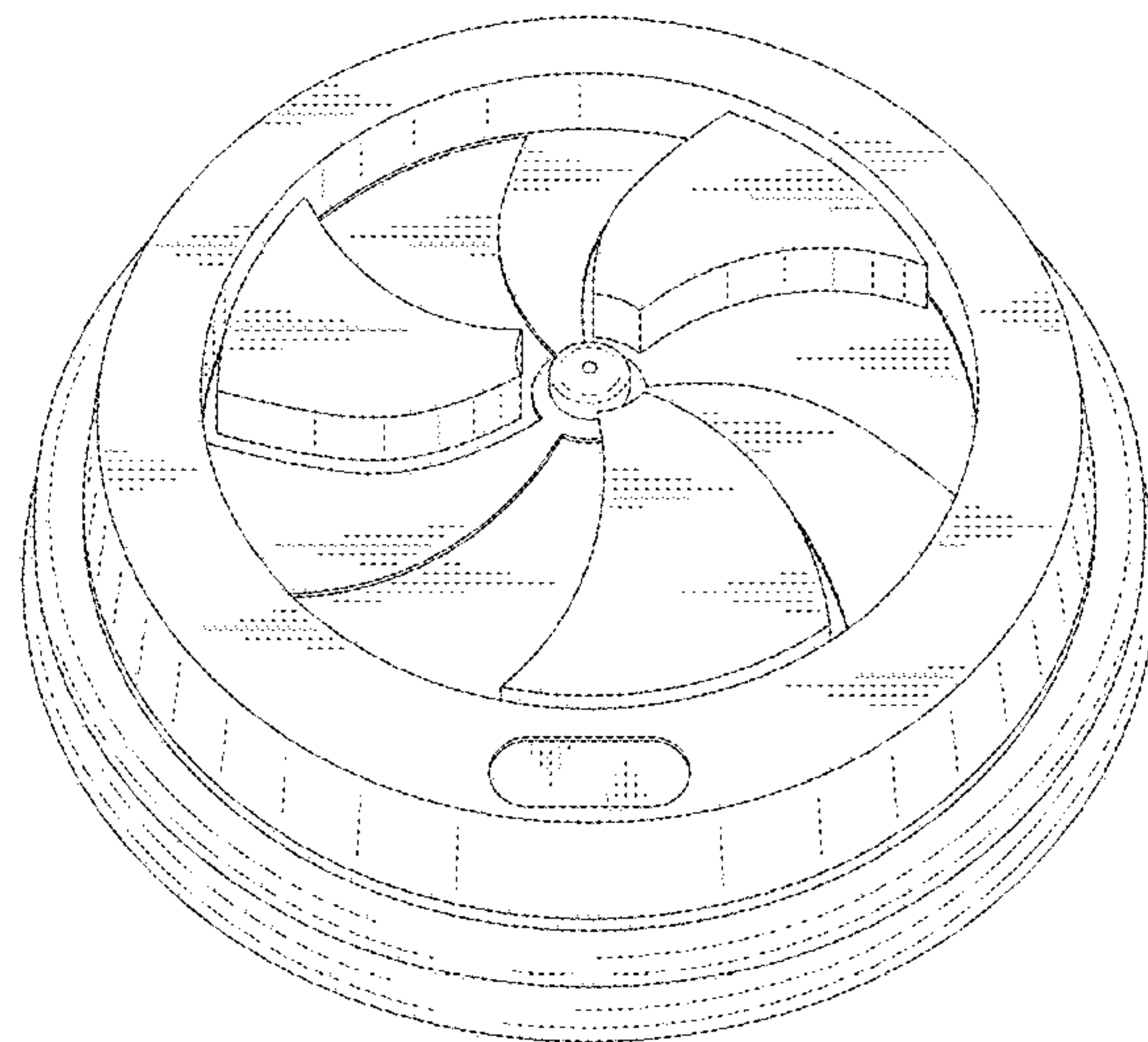
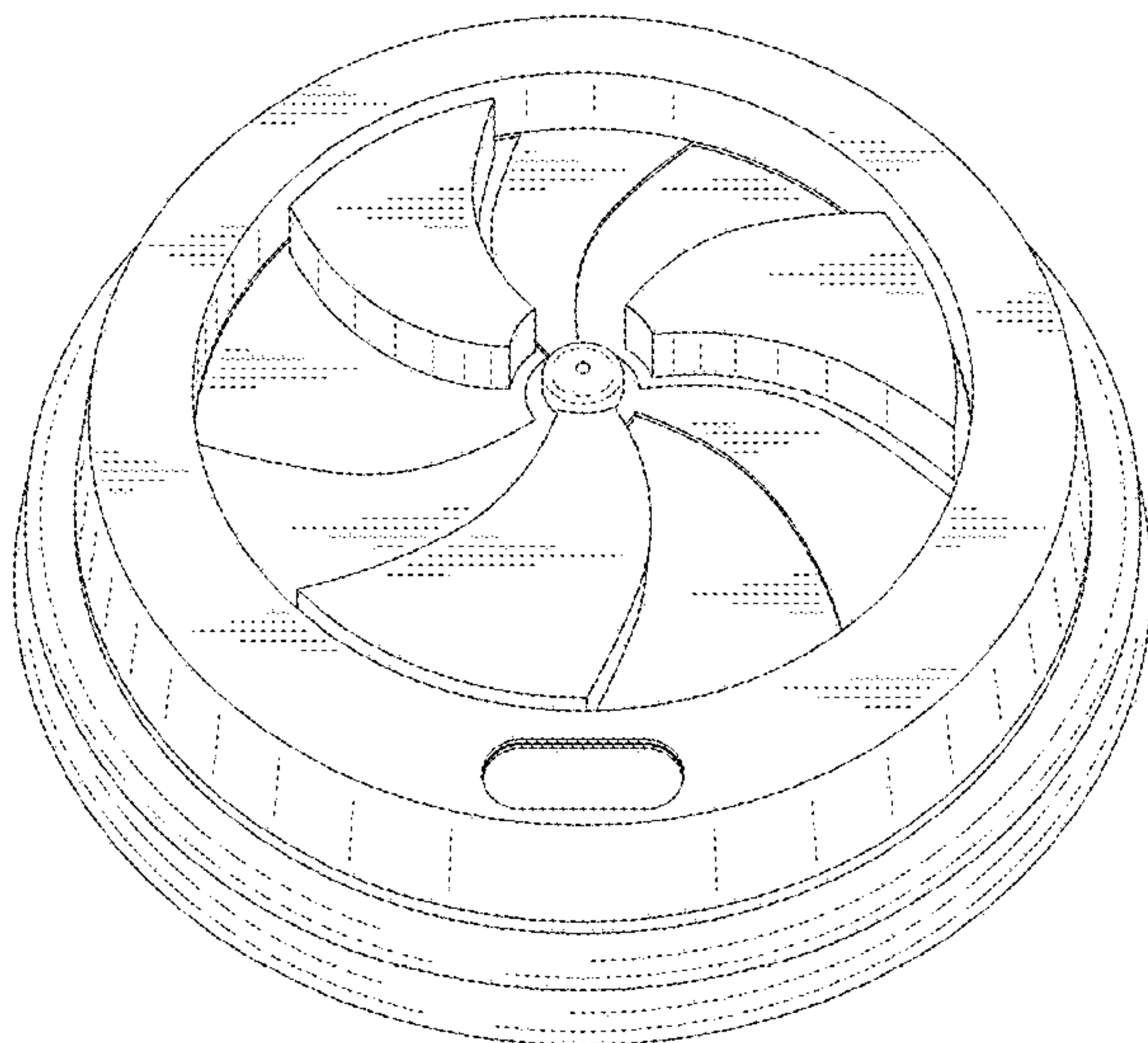


FIG. 1

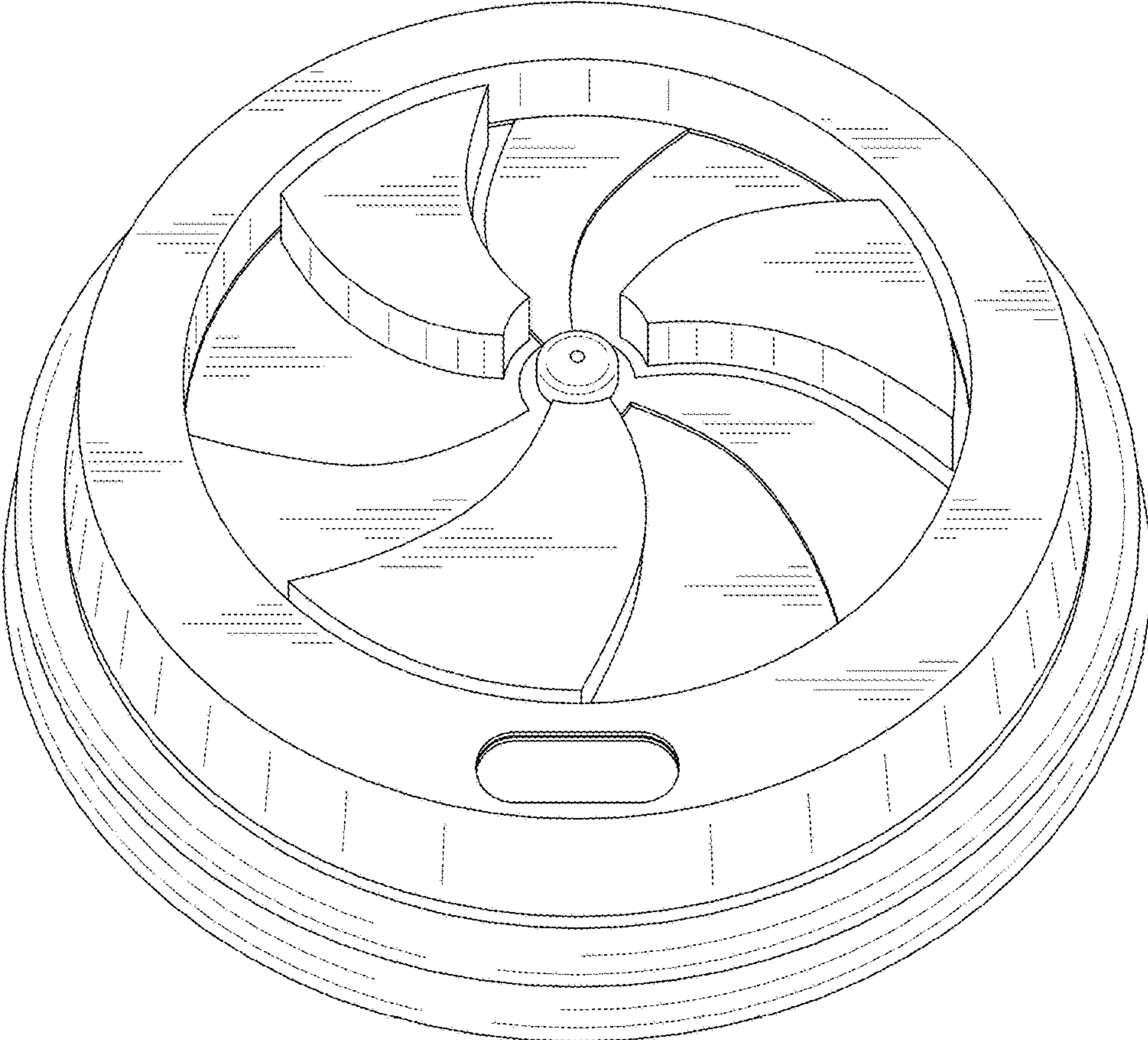


FIG. 2

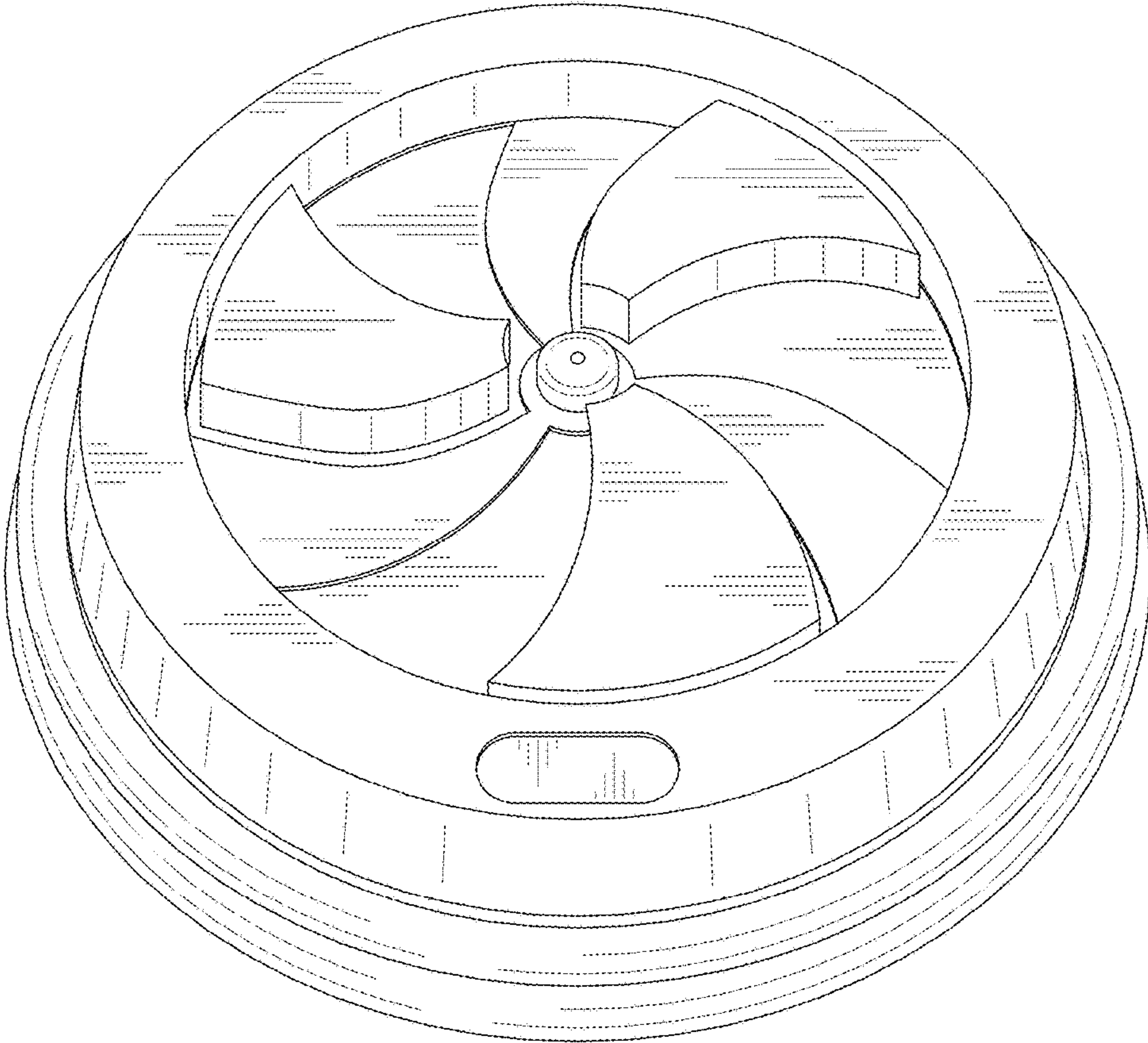




FIG. 3

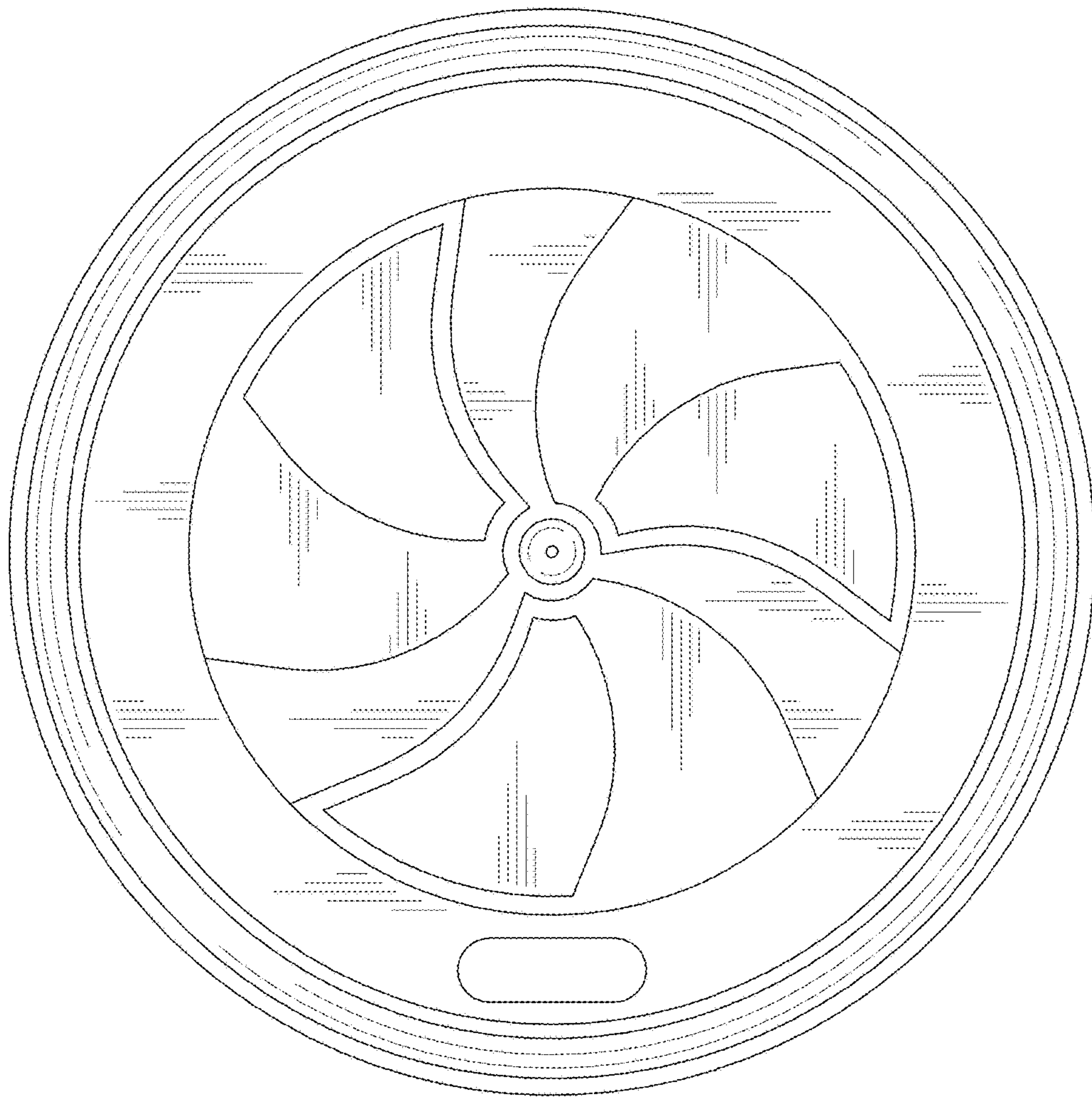


FIG. 4

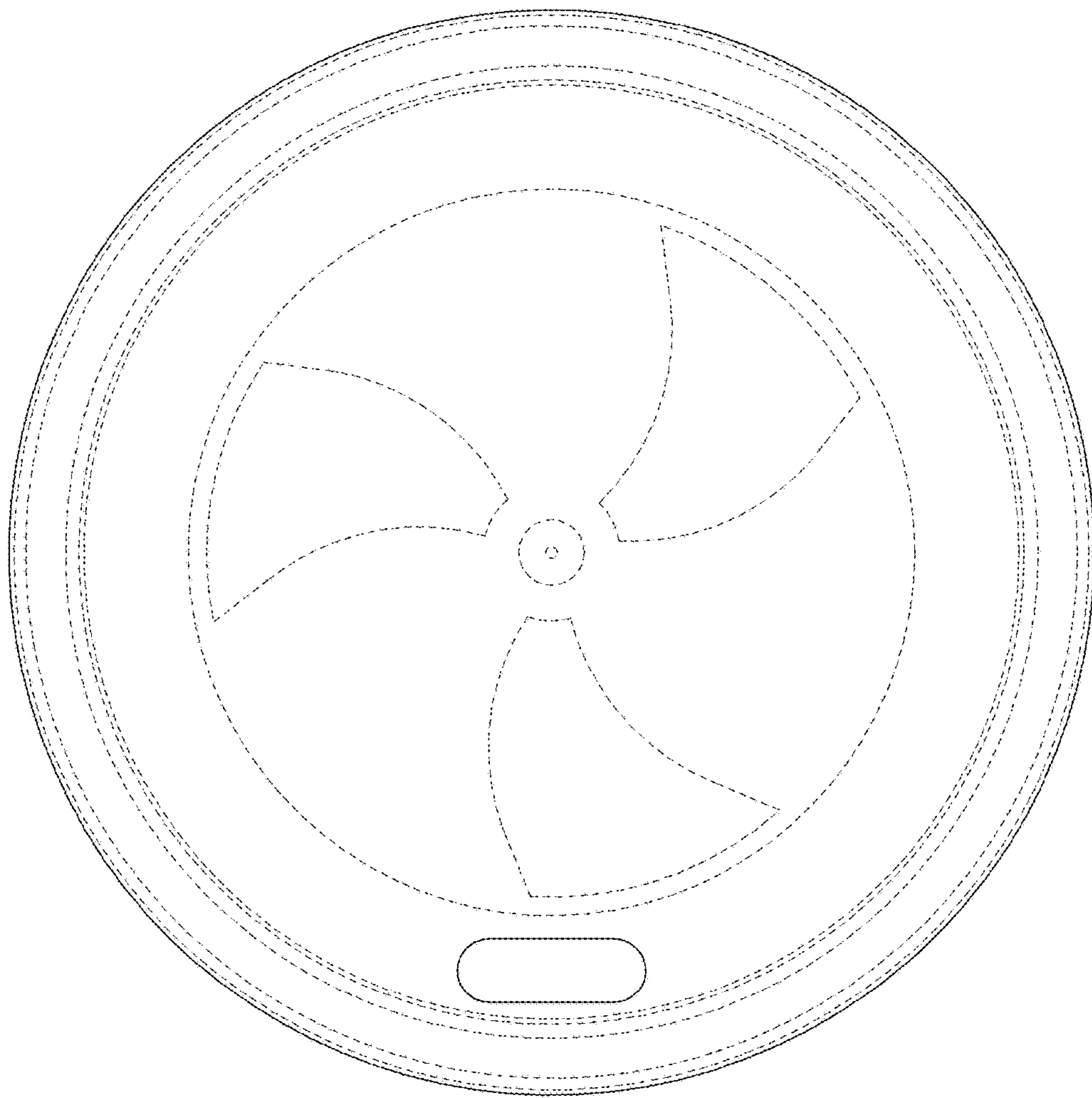


FIG. 5

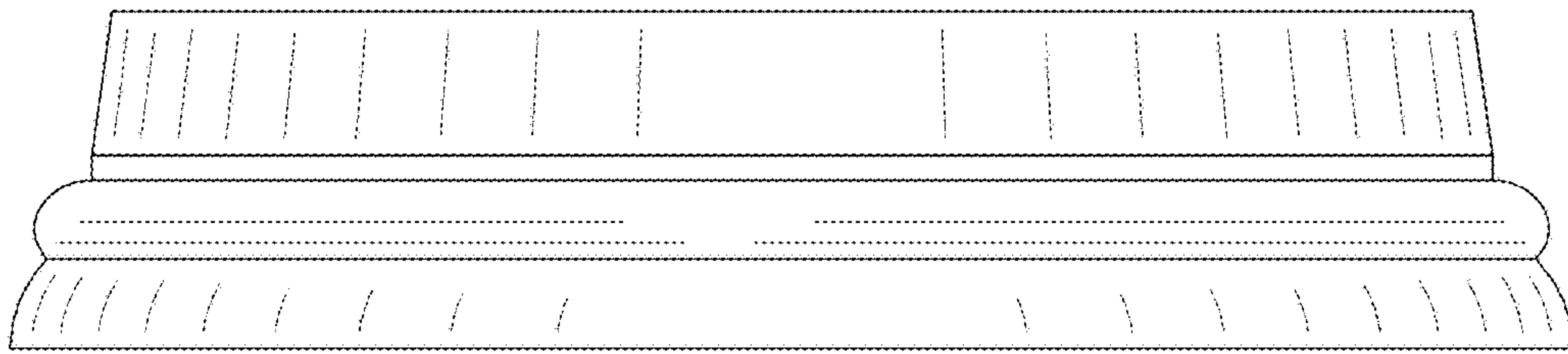


FIG. 6

