



US00D800554S

(12) **United States Design Patent** (10) **Patent No.:** **US D800,554 S**
Kizaki et al. (45) **Date of Patent:** **** Oct. 24, 2017**

(54) **FLUID DISPENSING ADAPTOR FOR CONTAINER**

D645,344 S * 9/2011 Liebowitz D9/435
D675,088 S * 1/2013 West D9/418
D676,942 S * 2/2013 Kluss D23/262

(Continued)

(71) Applicant: **Kao Corporation**, Chuo-ku (JP)

FOREIGN PATENT DOCUMENTS

(72) Inventors: **Hidesato Kizaki**, Chuo-ku (JP);
Tomohisa Hirata, Chuo-ku (JP)

JP D1390113 6/2010
JP D1399832 10/2010

(Continued)

(73) Assignee: **KAO CORPORATION**, Chuo-ku (JP)

(**) Term: **15 Years**

OTHER PUBLICATIONS

(21) Appl. No.: **29/546,893**

TDR Explorer. Kao Corporation begins sponsorship at Tokyo Disneyland and Tokyo DisneySea. Jul. 1, 2015 [earliest online date], [site visited Mar. 9, 2017]. Available from Internet, <URL:http://tdrexplorer.com/kao-corporation-begins-sponsorship-at-tokyo-disneyland-and-tokyo-disneysea/>.*

(22) Filed: **Nov. 27, 2015**

(30) **Foreign Application Priority Data**

May 29, 2015 (JP) 2015-012023
May 29, 2015 (JP) 2015-012025

(51) **LOC (10) Cl.** **09-07**

(52) **U.S. Cl.**
USPC **D9/447**

(58) **Field of Classification Search**
USPC D7/629; D9/420, 428, 434-438, 440,
D9/443, 447, 449, 499; D23/259, 262,
D23/265, 266, 269
CPC A23F 3/18; B65D 1/20; B65D 47/06
See application file for complete search history.

Primary Examiner — Robert M Spear
Assistant Examiner — Darcey E Hefflin
(74) *Attorney, Agent, or Firm* — Oblon, McClelland,
Maier & Neustadt, L.L.P.

(57) **CLAIM**

The ornamental design for a fluid dispensing adaptor for container, as shown and described.

DESCRIPTION

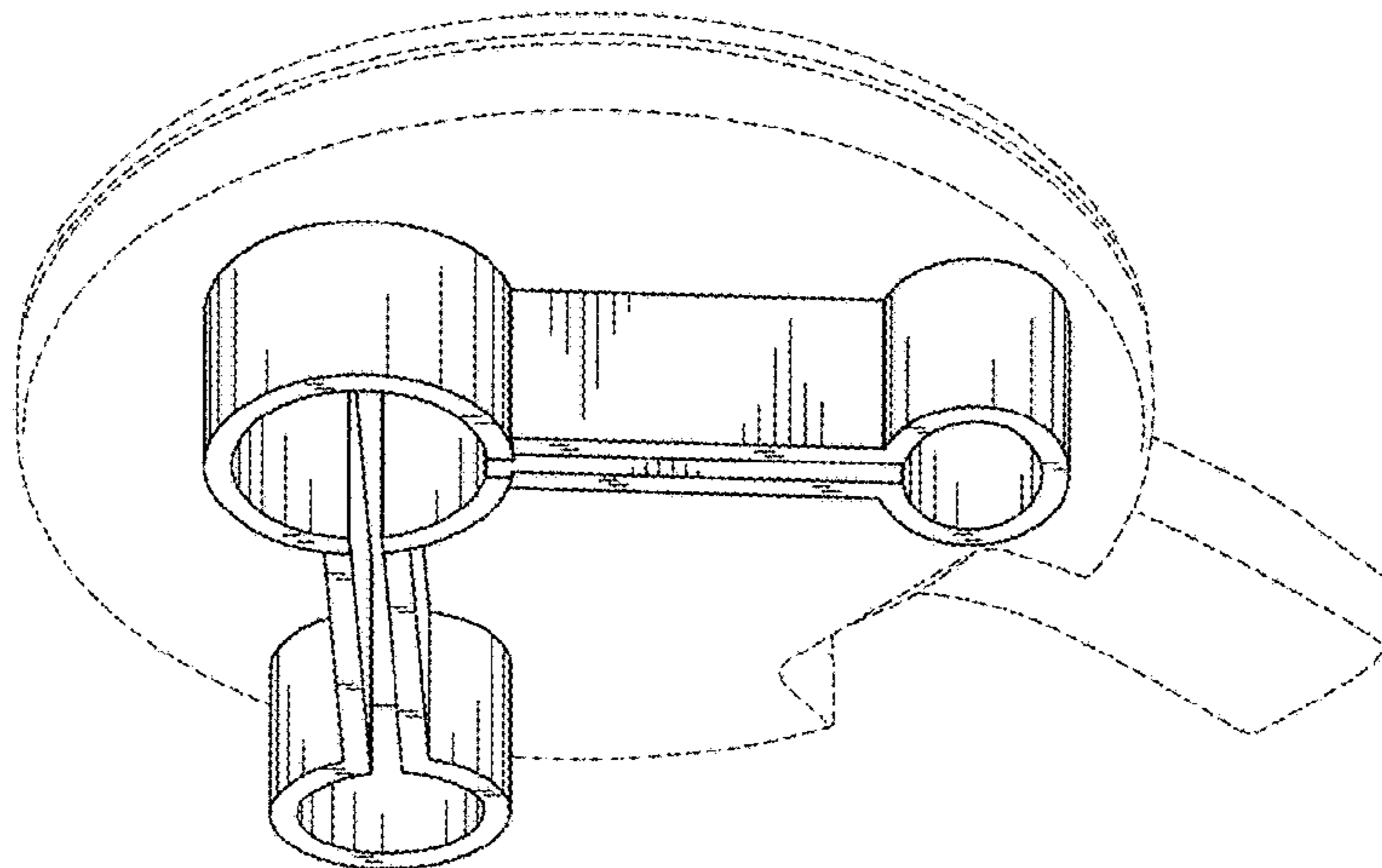
FIG. 1 is a top, front perspective view of a fluid dispensing adaptor for container according to our design; FIG. 2 is a bottom, front perspective view thereof; FIG. 3 is a front elevational view thereof; FIG. 4 is a left side elevational view thereof; FIG. 5 is a right side elevational view thereof; FIG. 6 is a top plan view thereof; and, FIG. 7 is a bottom plan view thereof. The dashed lines in the drawings depict environmental subject matter only and form no part of the claimed design. The dash-dot-dash lines in FIG. 7 form boundary portions and form no part of the claimed design.

(56) **References Cited**

U.S. PATENT DOCUMENTS

D229,920 S * 1/1974 Swett D7/629
D239,602 S * 4/1976 Newman D9/447
D242,128 S * 11/1976 Chase D9/447
D247,848 S * 5/1978 Croyle D9/447
D272,807 S * 2/1984 Ruhl D9/449
D310,868 S * 9/1990 Wilder D23/265
D401,851 S * 12/1998 Teags D9/431
D437,782 S * 2/2001 Haley D9/440
D532,298 S * 11/2006 Vogel D9/447
D582,271 S * 12/2008 Vogel D9/447

1 Claim, 3 Drawing Sheets



(56)

References Cited

U.S. PATENT DOCUMENTS

D682,608 S * 5/2013 Audette D7/392
D703,527 S * 4/2014 Fuller D9/418
D705,059 S * 5/2014 Hutchison D9/447
D723,022 S * 2/2015 Miles D14/253
D732,958 S * 6/2015 Peneda D9/449
D744,823 S * 12/2015 Holley, Jr. D9/415
D755,355 S * 5/2016 Knight D23/262

FOREIGN PATENT DOCUMENTS

JP 2010-269233 12/2010
JP D1399833 10/2013
JP D1399834 10/2013

* cited by examiner

Fig.1

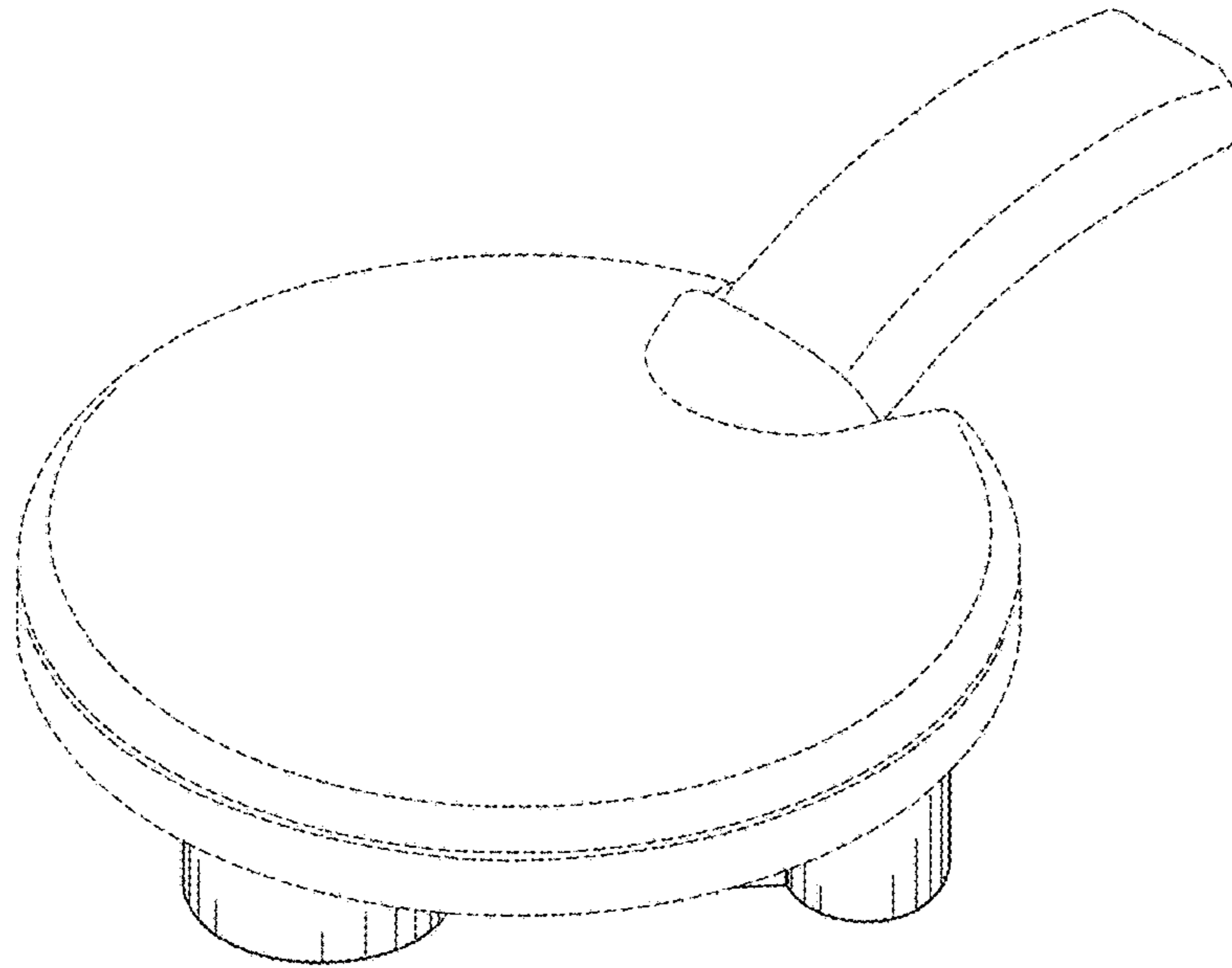


Fig.2

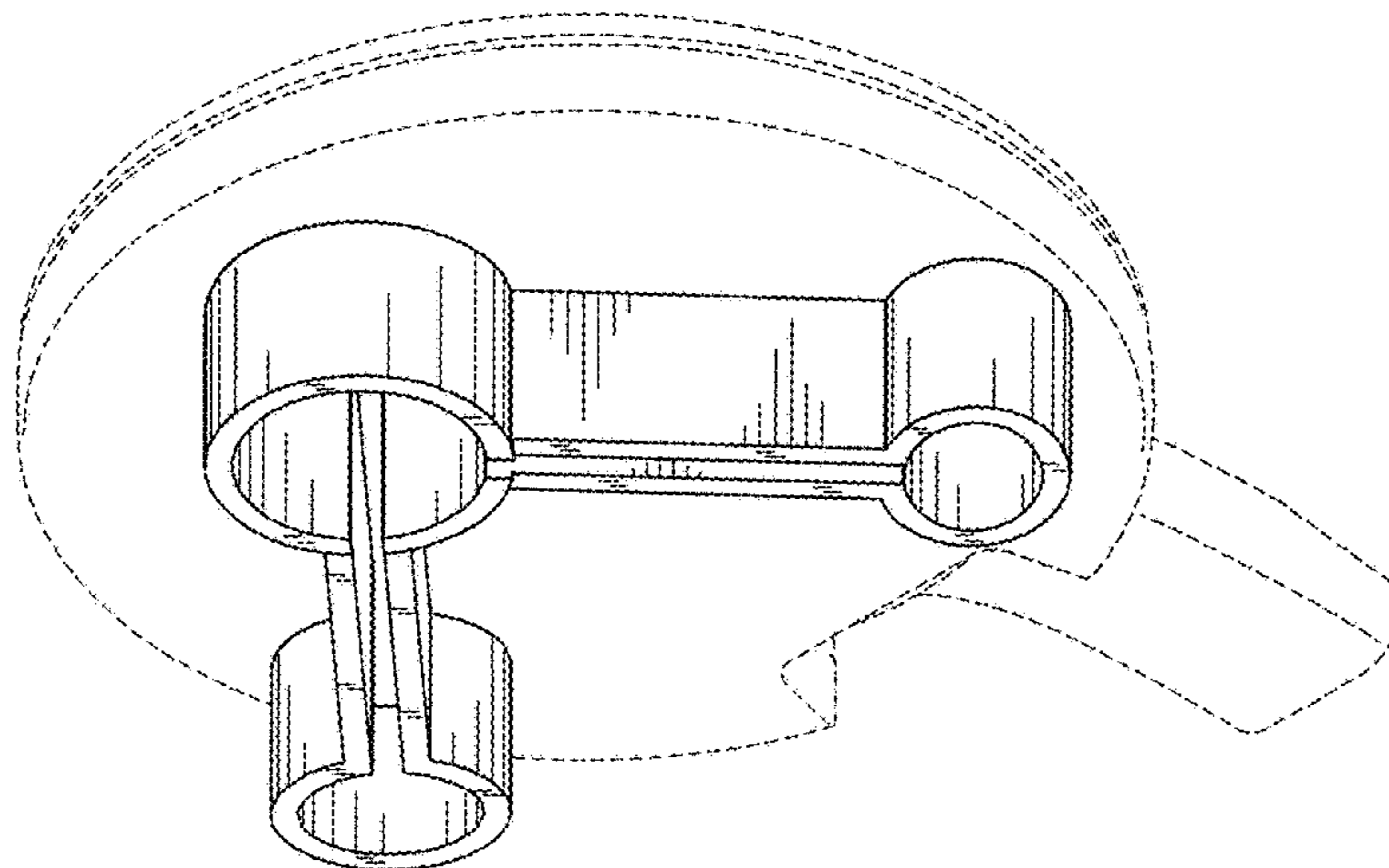


Fig.3

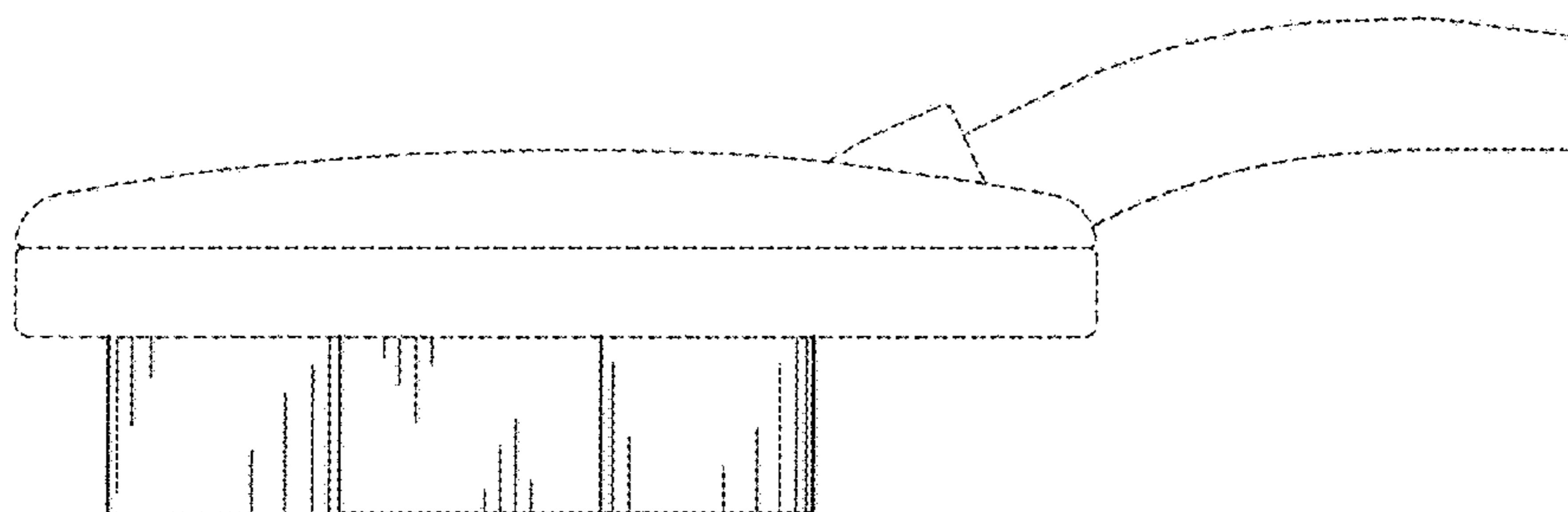


Fig.4

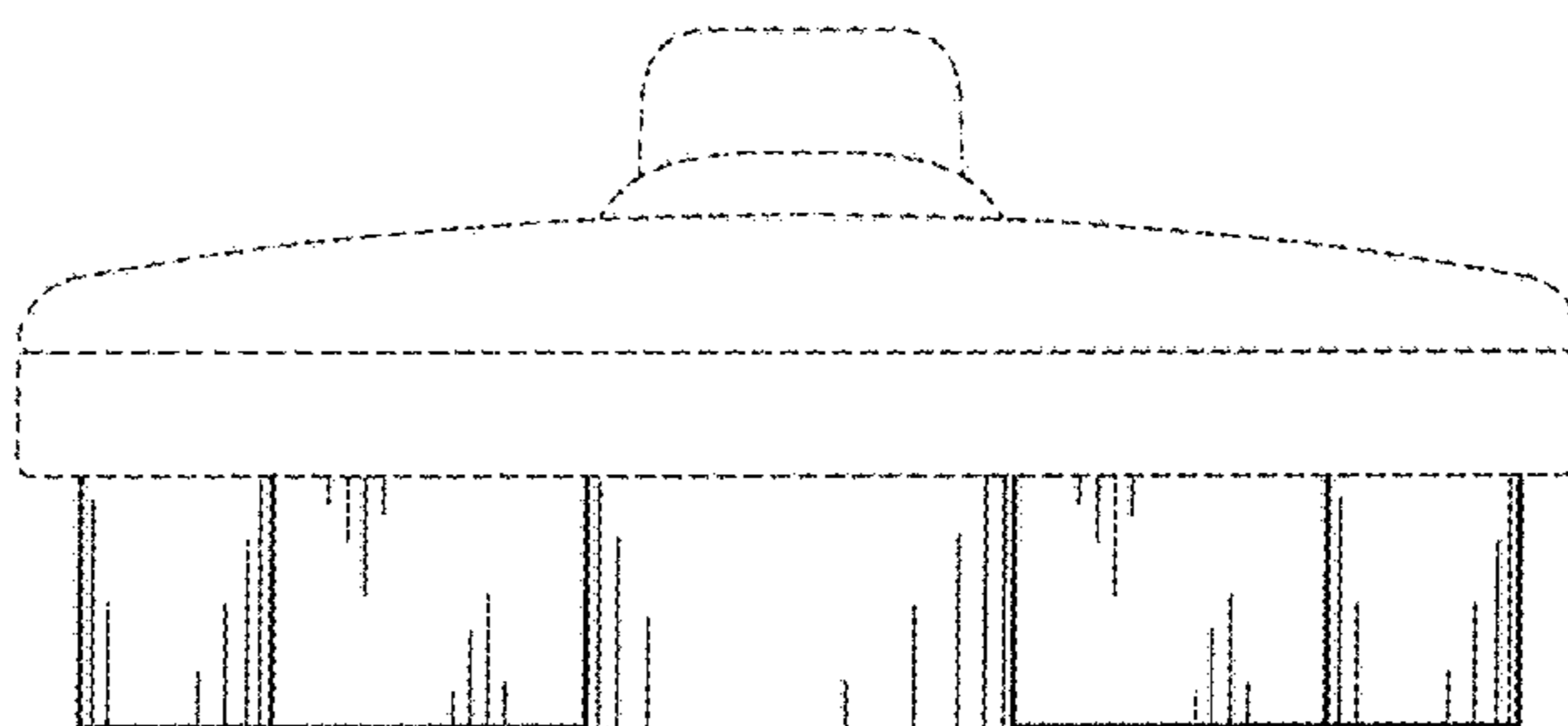


Fig.5

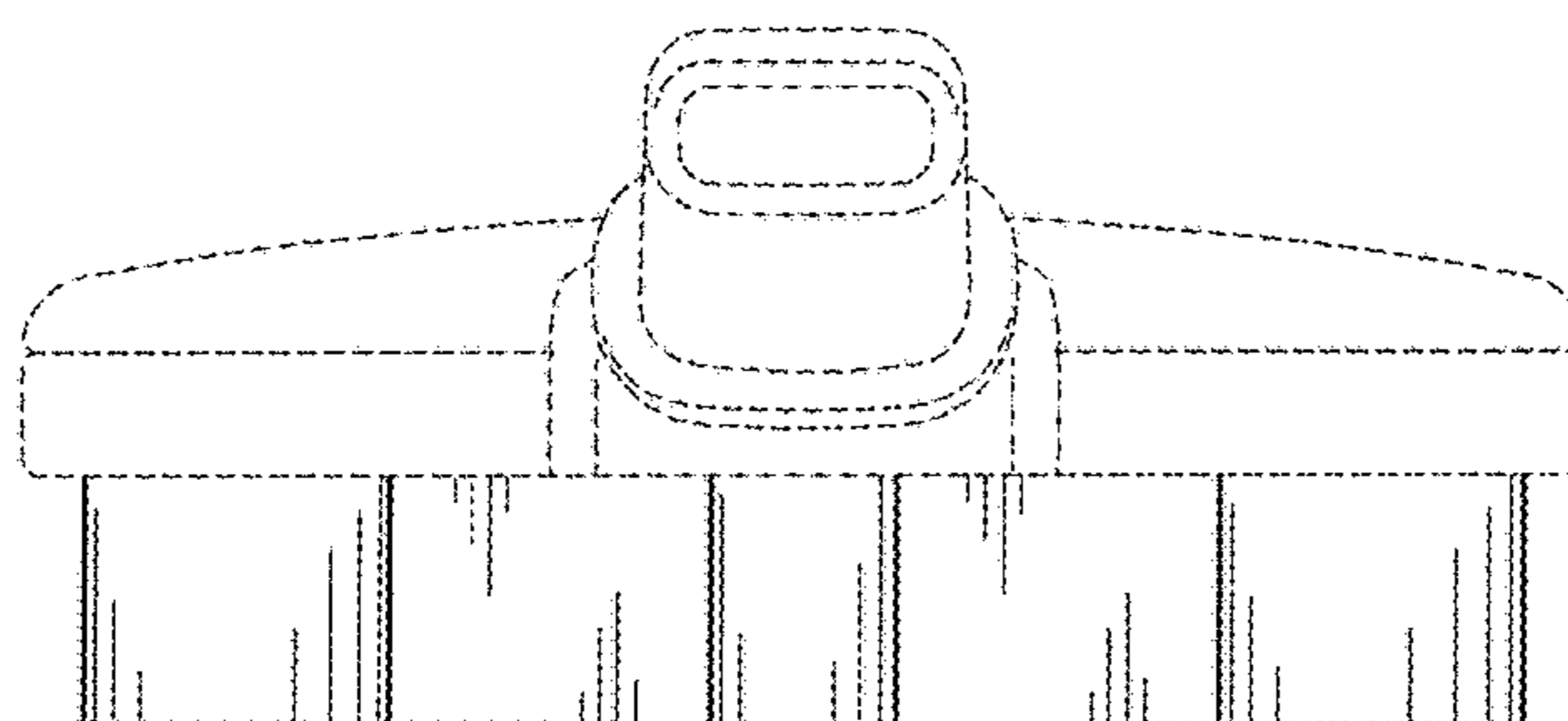


Fig.6

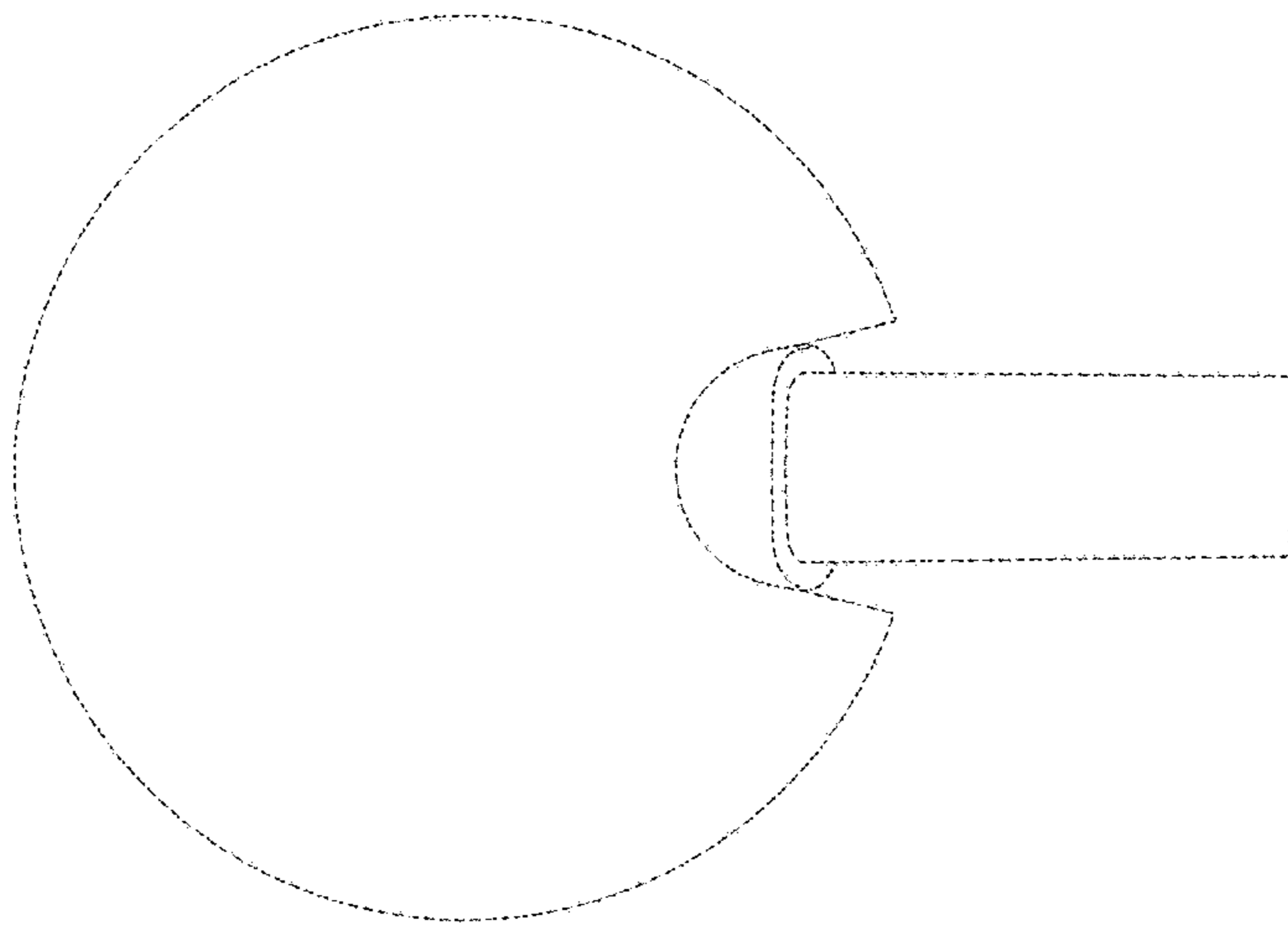


Fig.7

