



US00D800551S

(12) **United States Design Patent**
Fang

(10) **Patent No.:** **US D800,551 S**

(45) **Date of Patent:** **** Oct. 24, 2017**

(54) **PACKING BOX**

(71) Applicant: **Shangyi Fang, Cixi (CN)**

(72) Inventor: **Shangyi Fang, Cixi (CN)**

(**) Term: **15 Years**

(21) Appl. No.: **29/567,989**

(22) Filed: **Jun. 14, 2016**

(30) **Foreign Application Priority Data**

Jun. 1, 2016 (CN) 2016 3 0216803

(51) **LOC (10) Cl.** **09-03**

(52) **U.S. Cl.**
USPC **D9/423**

(58) **Field of Classification Search**
USPC D9/414, 418, 423, 432, 456, 499, 737;
D7/601, 555, 554.3; D3/272, 294, 900,
D3/905; D99/28
CPC . B65D 1/00; B65D 3/00; B65D 23/00; B65D
81/00; A45C 5/00; A45C 5/03; A45C
2005/032; A45C 2005/037; A45C 11/00;
E05G 1/005; E05G 2700/00; E05G
2700/02

See application file for complete search history.

(56) **References Cited**

U.S. PATENT DOCUMENTS

D402,137 S * 12/1998 Blazeovich D6/682.4
D523,244 S * 6/2006 Peterson D3/295
D556,571 S * 12/2007 Jalet D9/432
D578,307 S * 10/2008 Chan D3/295
D588,908 S * 3/2009 Silvenis D3/203.1
D621,614 S * 8/2010 Zuniga D3/282

D681,937 S * 5/2013 Peterson D3/203.6
D685,178 S * 7/2013 Lv D3/206
D710,104 S * 8/2014 Tivoly D3/282
D722,870 S * 2/2015 Fohner D9/424
D746,671 S * 1/2016 Fohner D9/414
D749,847 S * 2/2016 Koeniger D3/294
D750,478 S * 3/2016 Kiss D9/423
D752,430 S * 3/2016 Stevenson D9/425
D758,851 S * 6/2016 Binder D9/432
D759,378 S * 6/2016 West D3/294
D772,559 S * 11/2016 Binder D3/203.6
D777,044 S * 1/2017 Lehmann D9/418
D788,462 S * 6/2017 Zhu D3/294
D792,708 S * 7/2017 Tazawa D3/276
2004/0007583 A1 * 1/2004 Lin B65D 43/162
220/835
2006/0065557 A1 * 3/2006 Brunson B25H 3/003
206/273

* cited by examiner

Primary Examiner — Wan Laymon

Assistant Examiner — Clint A Samuel

(74) *Attorney, Agent, or Firm* — Wang Law Firm, Inc.

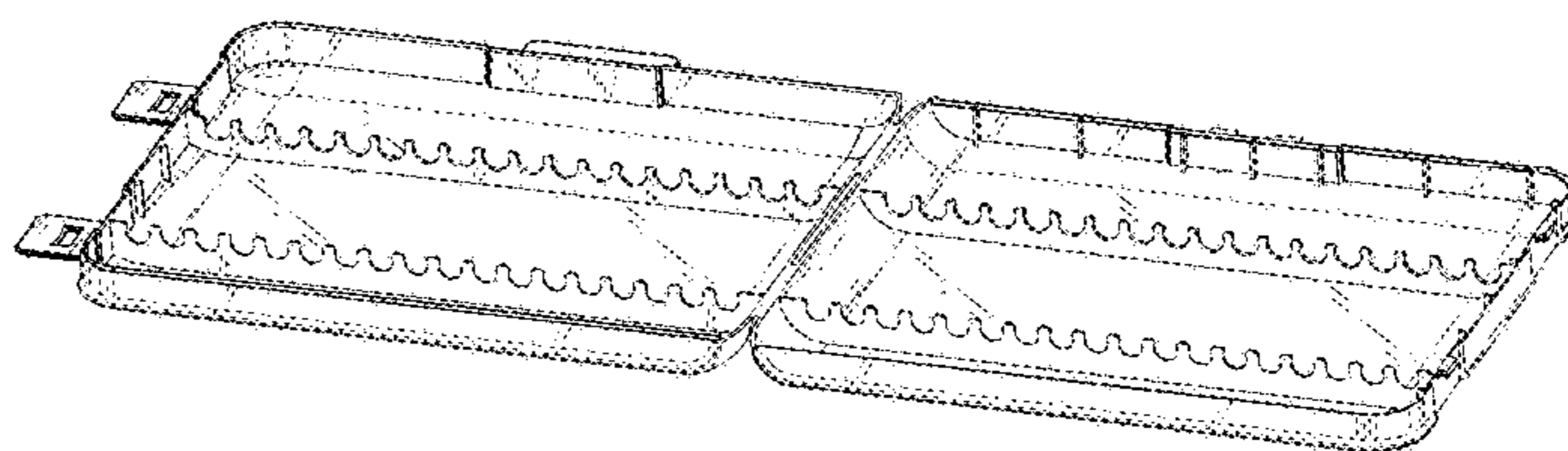
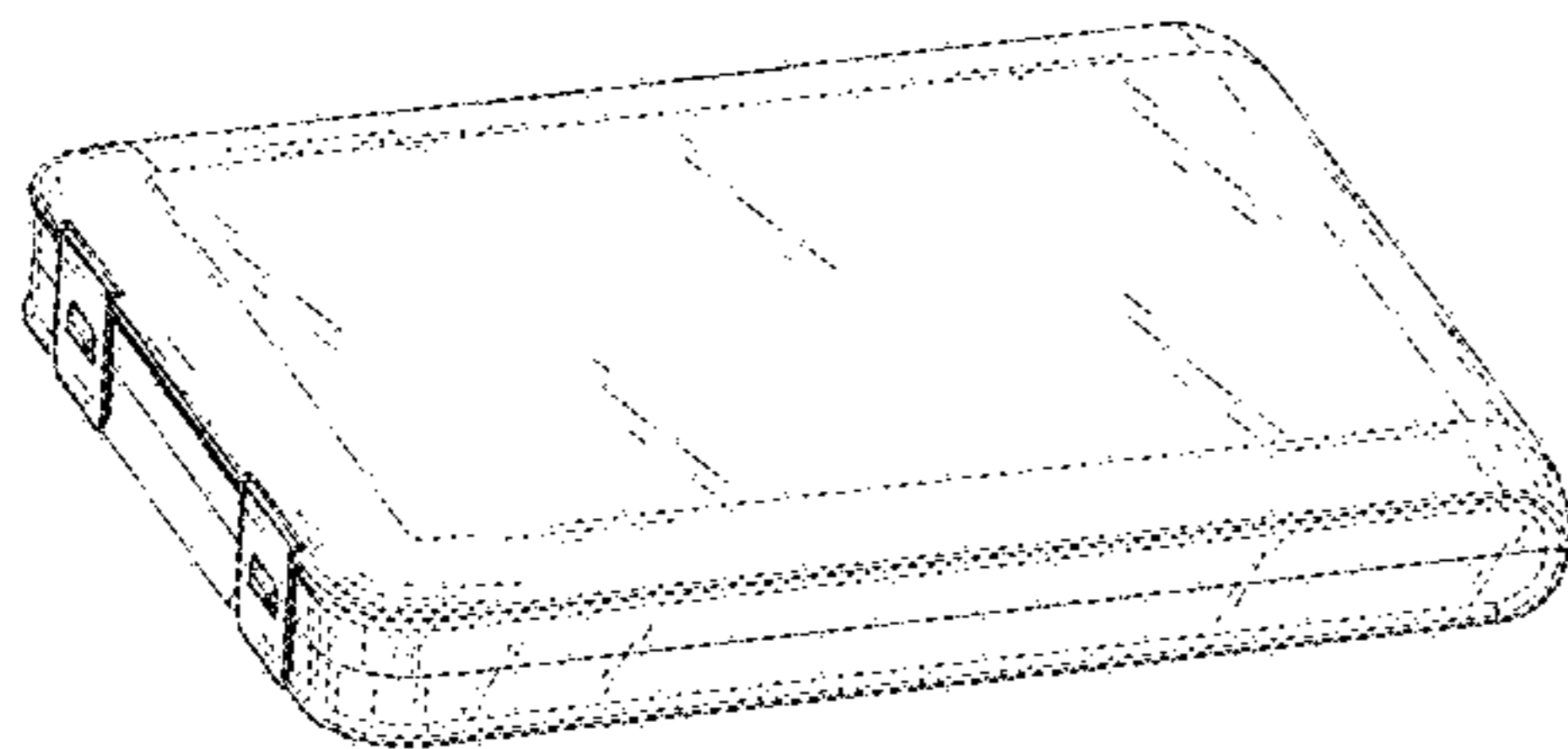
(57) **CLAIM**

The ornamental design for a packing box, as shown and described.

DESCRIPTION

FIG. 1 is a front view showing my new design;
FIG. 2 is a left view thereof;
FIG. 3 is a right view thereof;
FIG. 4 is a rear view thereof;
FIG. 5 is a bottom view thereof;
FIG. 6 is a top view thereof;
FIG. 7 is a perspective view thereof; and,
FIG. 8 is a view of the packing box when open.

1 Claim, 6 Drawing Sheets



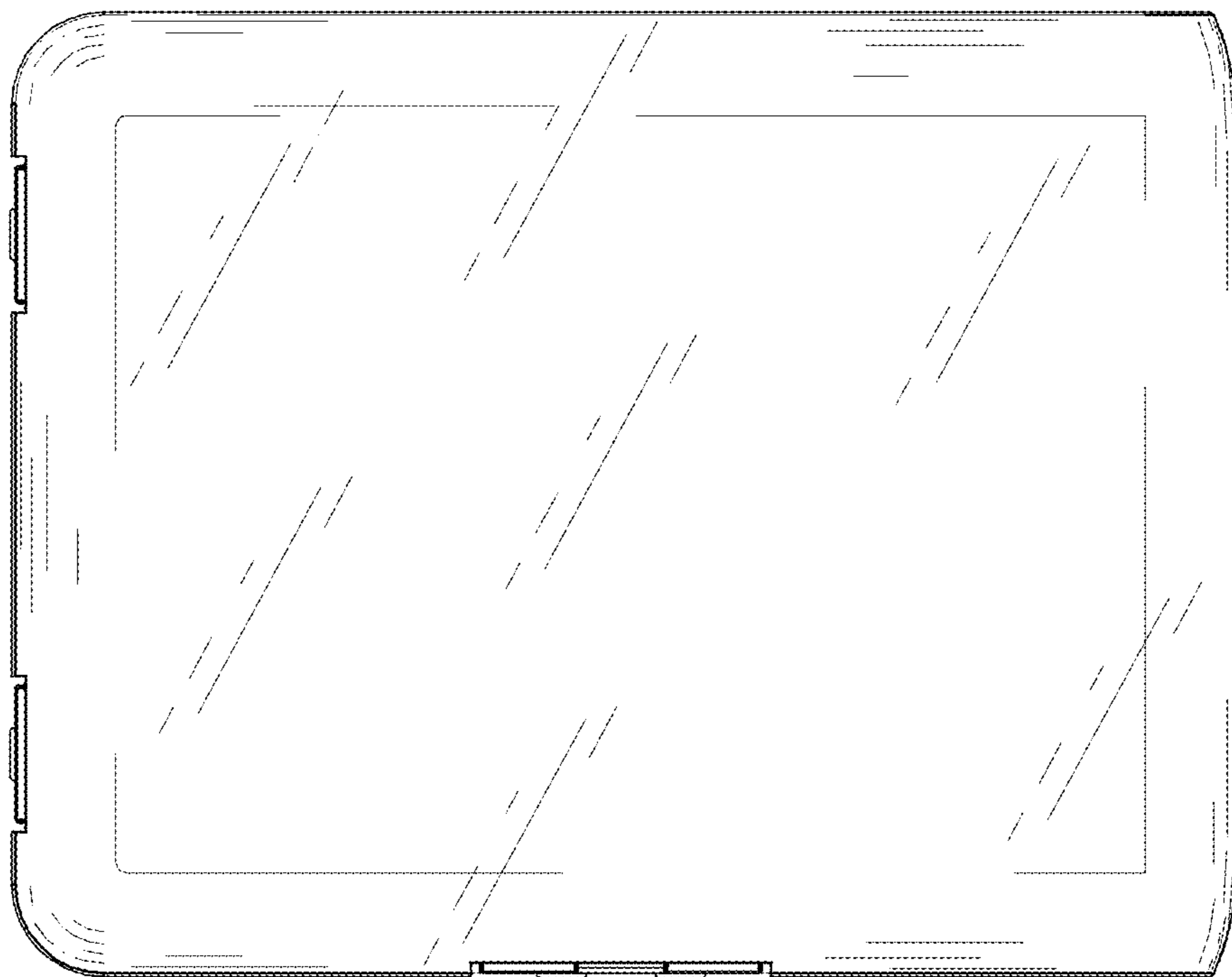


FIG. 1

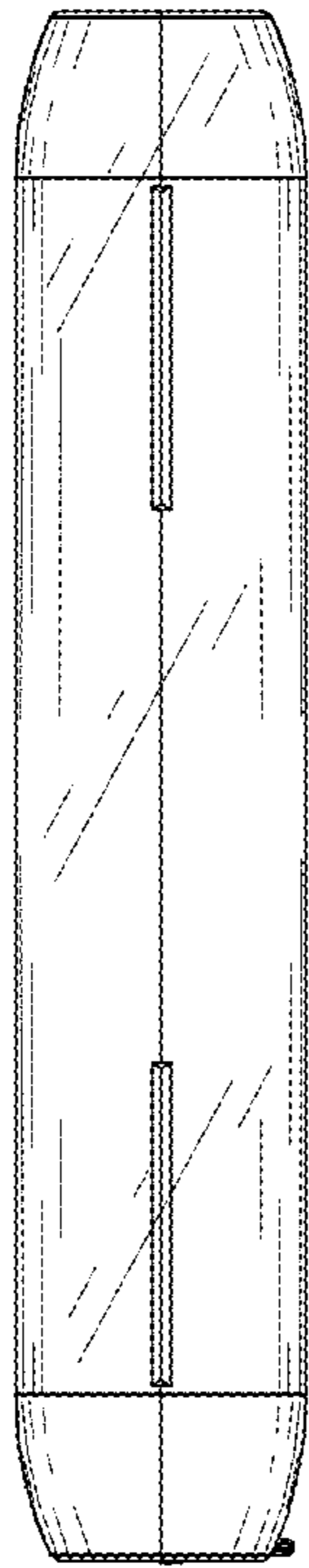


FIG. 2

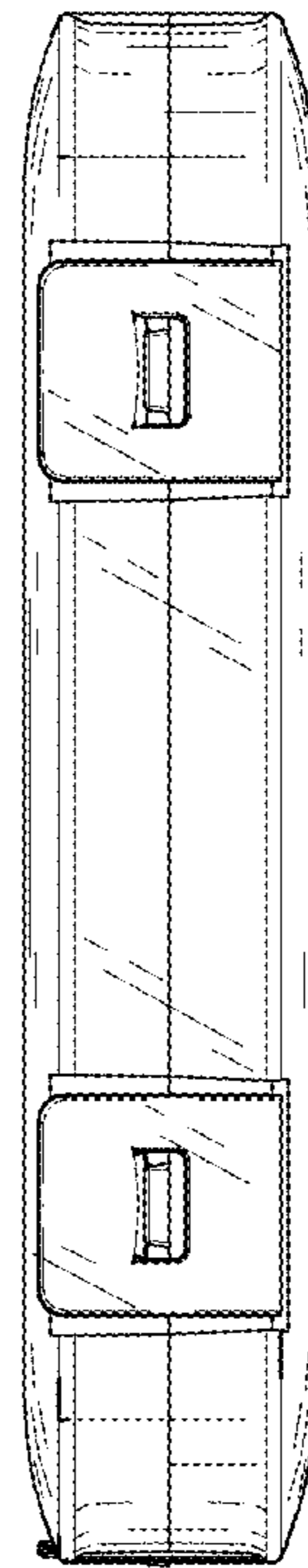


FIG. 3

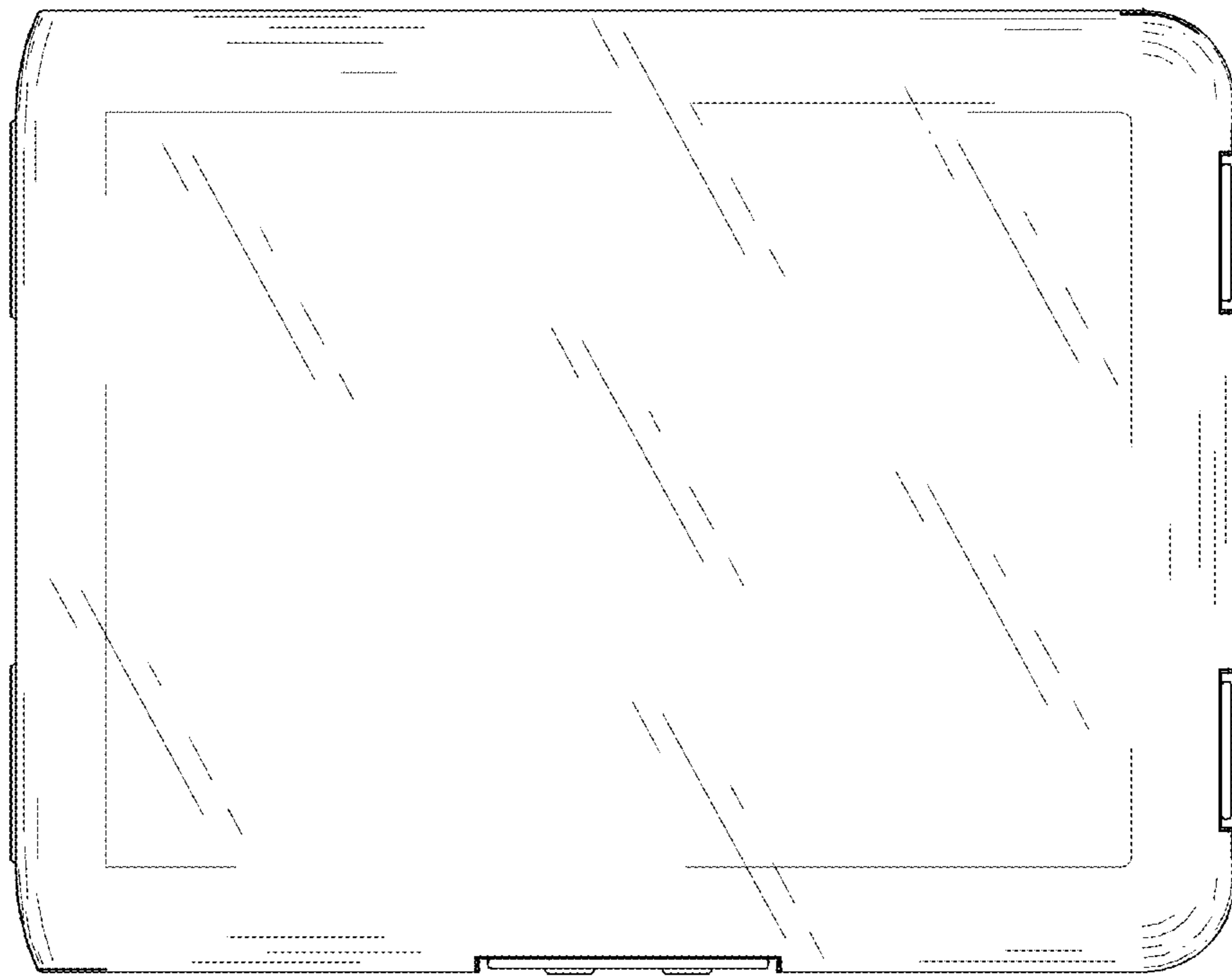


FIG. 4

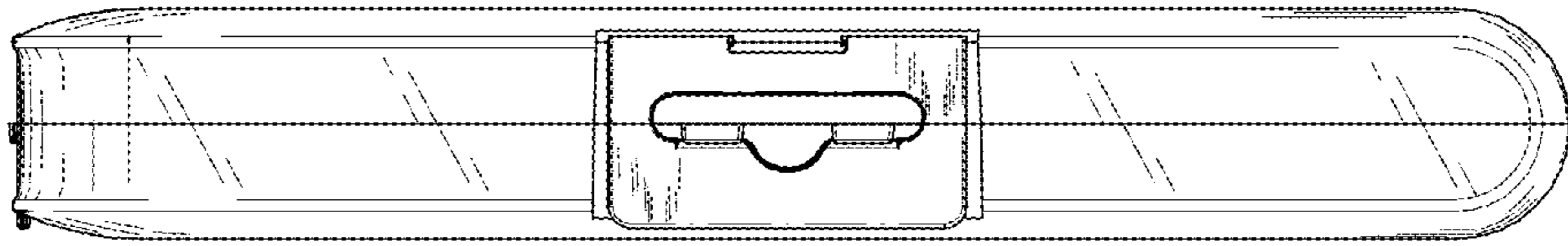


FIG. 5

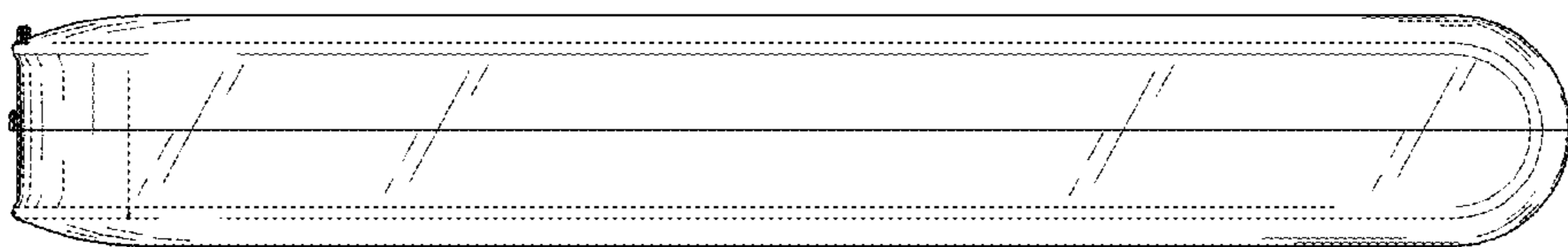


FIG. 6

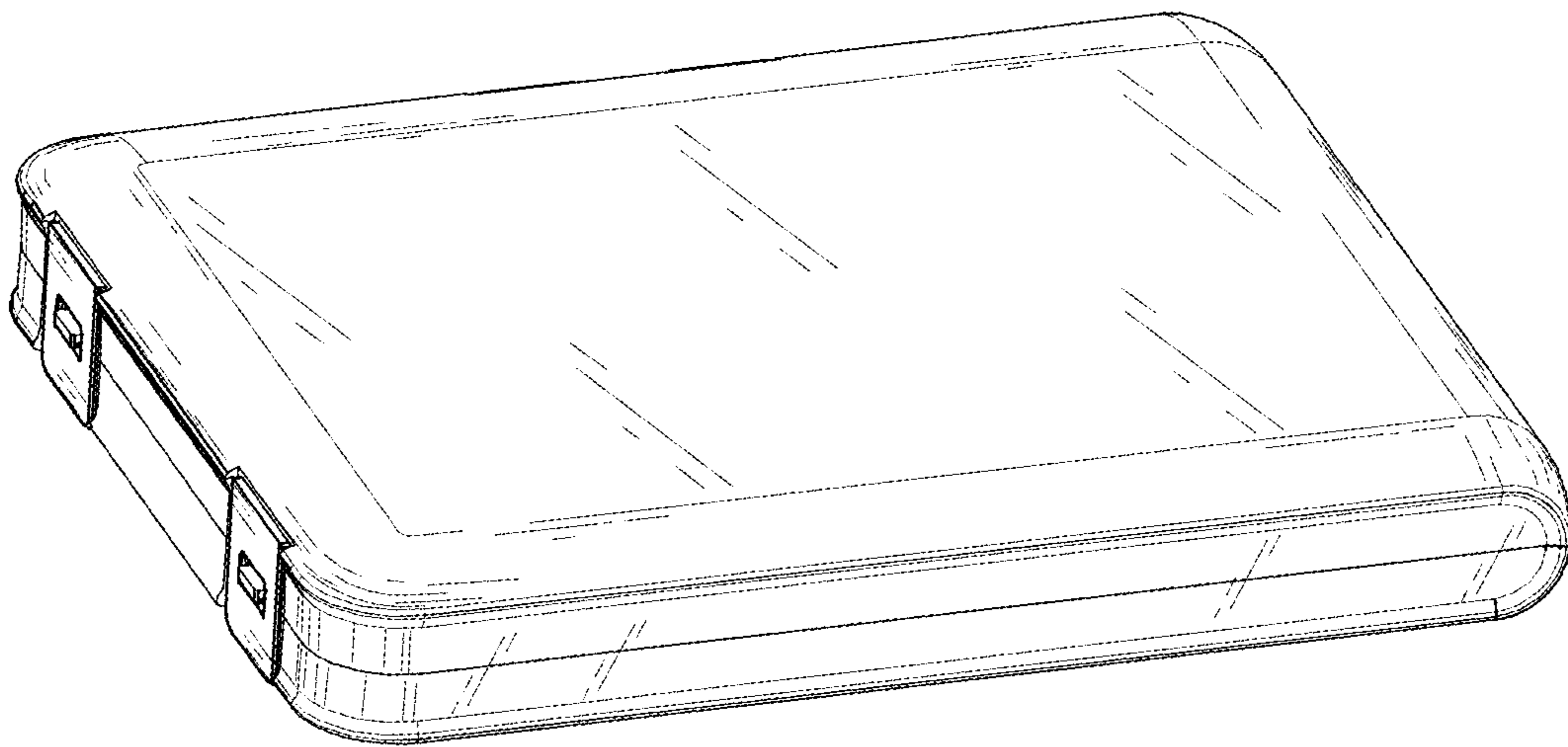


FIG. 7

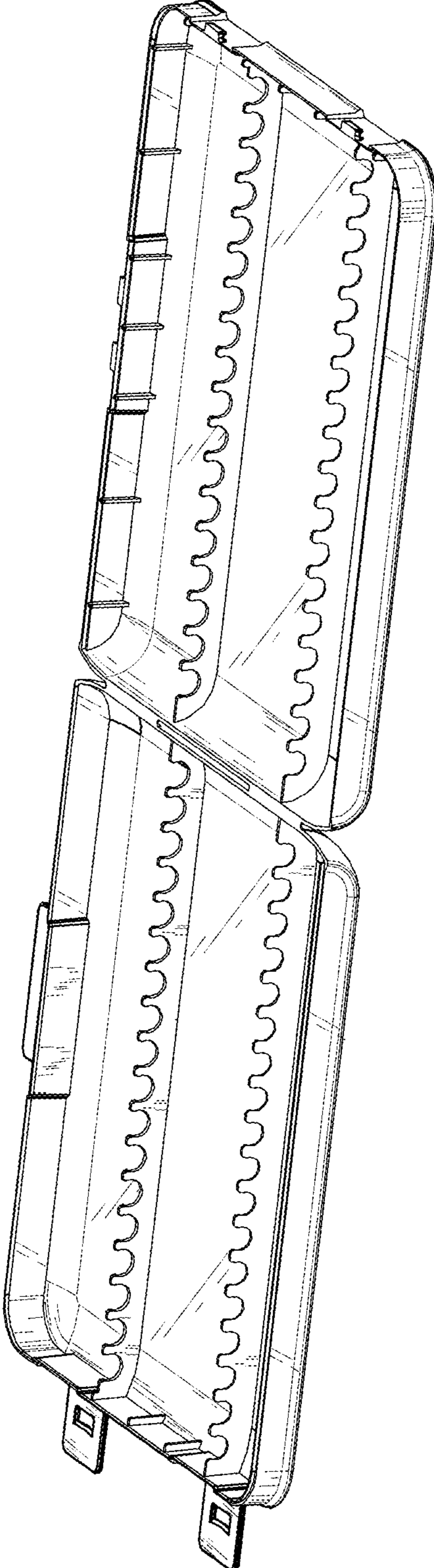


FIG. 8