



US00D800550S

(12) **United States Design Patent**  
**Zeitlin et al.**

(10) **Patent No.:** **US D800,550 S**

(45) **Date of Patent:** **\*\* Oct. 24, 2017**

(54) **CLAMSHELL CONTAINER**

(71) Applicant: **Altria Client Services LLC**,  
Richmond, VA (US)

(72) Inventors: **Gavriel Zeitlin**, Beit Shemesh (IL);  
**David Rubli**, Revava (IL); **Uzi**  
**Malimovka**, Givat Shmuel (IL)

(73) Assignee: **ALTRIA CLIENT SERVICES LLC**,  
Richmond, VA (US)

(\*\*) Term: **15 Years**

(21) Appl. No.: **29/542,286**

(22) Filed: **Oct. 13, 2015**

(51) **LOC (10) Cl.** ..... **09-03**

(52) **U.S. Cl.**  
USPC ..... **D9/420**

(58) **Field of Classification Search**  
USPC ..... D3/202, 212, 318; D7/602; D9/414,  
D9/420, 423, 425, 426, 430-434,  
D9/455-457, 499

(Continued)

(56) **References Cited**

**U.S. PATENT DOCUMENTS**

D48,897 S \* 4/1916 Hubbard ..... D9/423  
D182,654 S \* 4/1958 Glaberson ..... D9/420

(Continued)

**OTHER PUBLICATIONS**

Ecigarette reviewed. Green Smoke Review. Jan. 2, 2016 [earliest  
online date], [site visited Nov. 15, 2016]. Available from Internet,  
<URL:http://ecigarettereviwed.com/green-smoke-reviews>.\*

(Continued)

*Primary Examiner* — Robert M Spear  
*Assistant Examiner* — Darcey E Helfin

(74) *Attorney, Agent, or Firm* — Harness, Dickey &  
Pierce, PLC

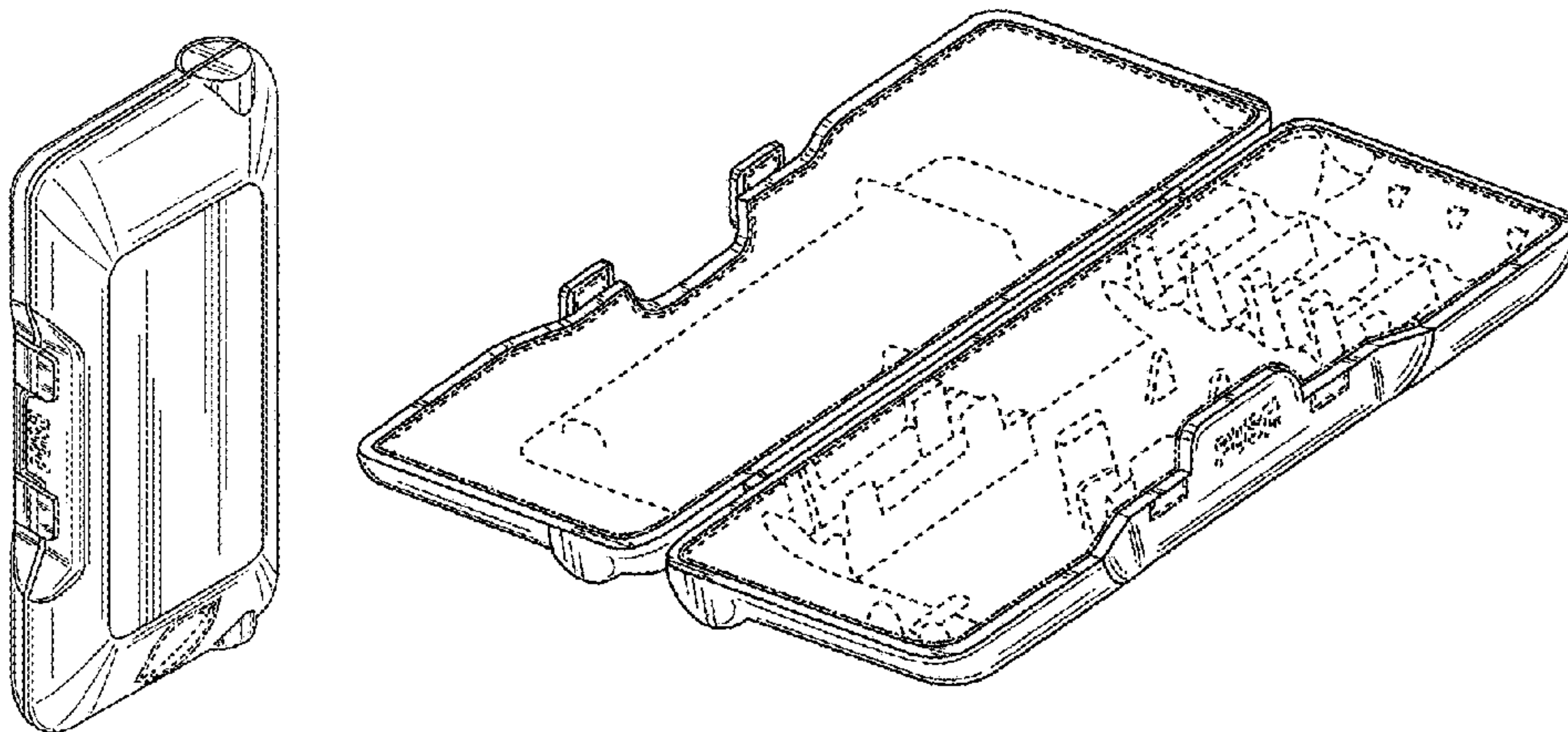
(57) **CLAIM**

The ornamental design for a clamshell container, as shown  
and described.

**DESCRIPTION**

FIG. 1 is a front perspective view of a first configuration of  
a first clamshell container embodiment;  
FIG. 2 is a front elevation view of the first configuration of  
the first clamshell container embodiment of FIG. 1;  
FIG. 3 is a rear elevation view of the first configuration of  
the first clamshell container embodiment of FIG. 1;  
FIG. 4 is a left side elevation view of the first configuration  
of the first clamshell container embodiment of FIG. 1;  
FIG. 5 is a right side elevation view of the first configuration  
of the first clamshell container embodiment of FIG. 1;  
FIG. 6 is a top plan view of the first configuration of the first  
clamshell container embodiment of FIG. 1;  
FIG. 7 is a bottom plan view of the first configuration of the  
first clamshell container embodiment of FIG. 1;  
FIG. 8 of a perspective view of an alternate configuration of  
the first clamshell container embodiment of FIG. 1;  
FIG. 9 is a front perspective view of a first configuration of  
a second clamshell container embodiment;  
FIG. 10 is a front elevation view of the first configuration of  
the second clamshell container embodiment of FIG. 1;  
FIG. 11 is a rear elevation view of the first configuration of  
the second clamshell container embodiment of FIG. 1;  
FIG. 12 is a left side elevation view of the first configuration  
of the second clamshell container embodiment of FIG. 1;  
FIG. 13 is a right side elevation view of the first configura-  
tion of the second clamshell container embodiment of  
FIG. 1;  
FIG. 14 is a top plan view of the first configuration of the  
second clamshell container embodiment of FIG. 1;  
FIG. 15 is a bottom plan view of the first configuration of the  
second clamshell container embodiment of FIG. 1; and,  
FIG. 16 of a perspective view of an alternate configuration  
of the second clamshell container embodiment of FIG. 1.  
The stippled shading in the drawings indicates a contrast in  
appearance.

(Continued)



In the drawings, the broken line showing portions of a clamshell container depicts environment and forms no part of the claim. Alternating dashed-dot lines are boundary lines, the area within which is unclaimed and represented by dashed lines.

**1 Claim, 16 Drawing Sheets**

(58) **Field of Classification Search**

CPC ..... B65D 77/00  
See application file for complete search history.

(56) **References Cited**

U.S. PATENT DOCUMENTS

D245,762 S \* 9/1977 Takacs ..... D9/420  
D278,412 S \* 4/1985 Yeung ..... D9/420  
D337,049 S \* 7/1993 Morgan ..... D9/420  
D386,308 S 11/1997 Chen

D458,127 S \* 6/2002 de Groote ..... D3/294  
D482,609 S \* 11/2003 Weinstock ..... D9/414  
D592,399 S 5/2009 Sage  
D623,050 S \* 9/2010 Giraud ..... D9/420  
D672,952 S 12/2012 Yang  
D675,434 S 2/2013 Vernall et al.  
D735,476 S 8/2015 Duvigneau  
D746,671 S \* 1/2016 Fohner ..... D9/414  
D758,805 S \* 6/2016 Myoung ..... D7/629

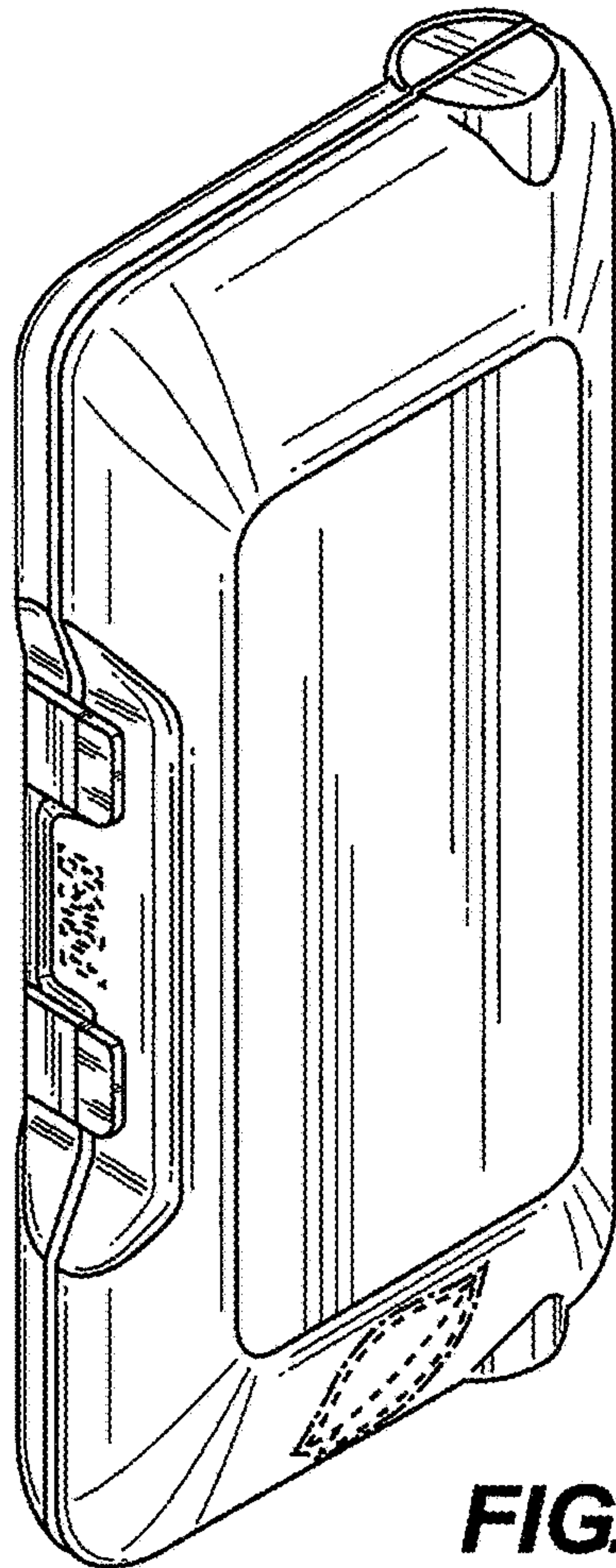
OTHER PUBLICATIONS

The Gadgeteer. White Cloud Cirrus E-Cigarette Review. Oct. 6, 2009 [earliest online date], [site visited Nov. 15, 2016]. Available from Internet, <URL:<http://the-gadgeteer.com/2009/10/06/white-cloud-cirrus-e-cigarette-review/>>.\*

U.S. Office Action dated Dec. 22, 2016 issued in related U.S. Appl. No. 29/548,425.

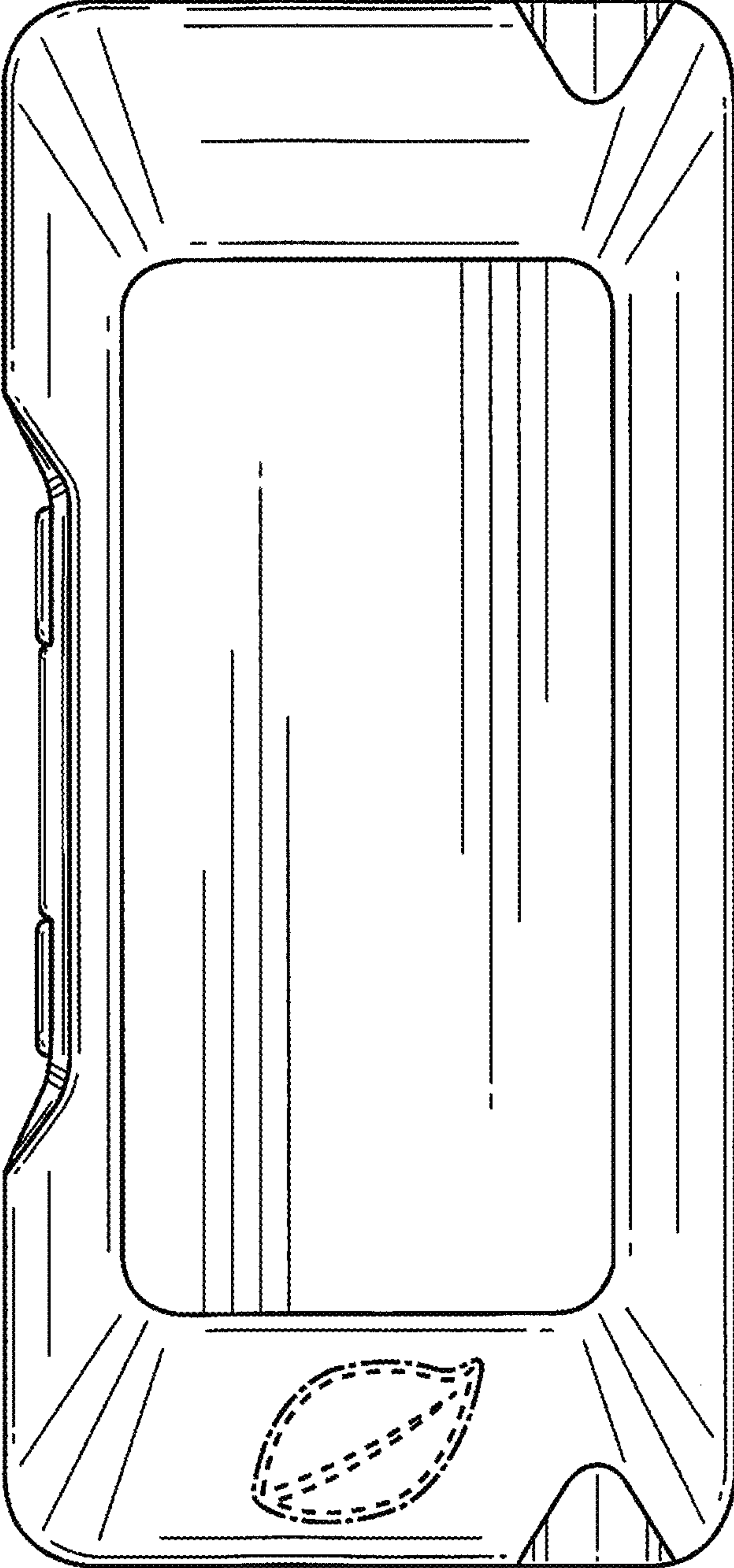
Notice of Allowance dated Apr. 11, 2017 issued in related U.S. Appl. No. 29/548,425.

\* cited by examiner

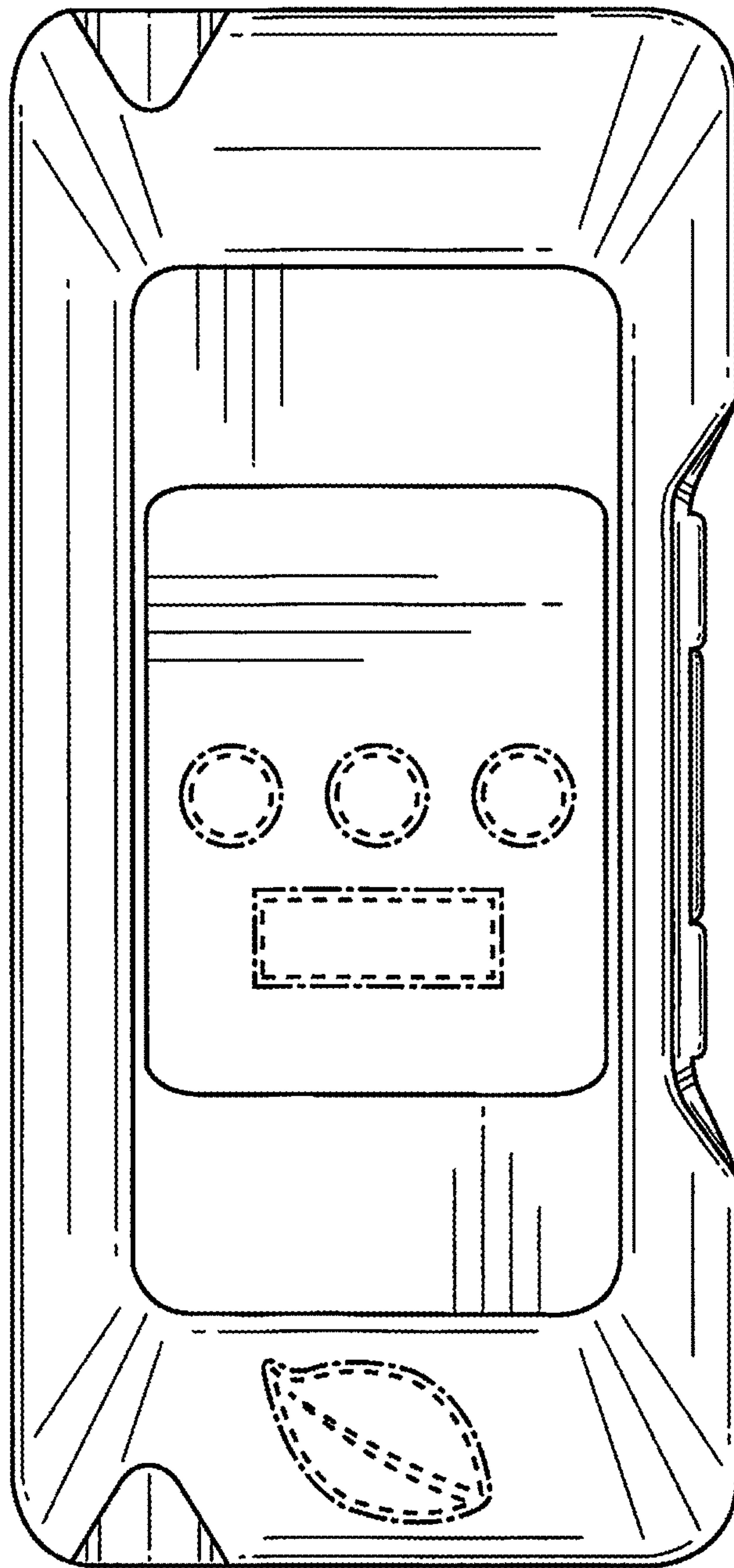


**FIG. 1**

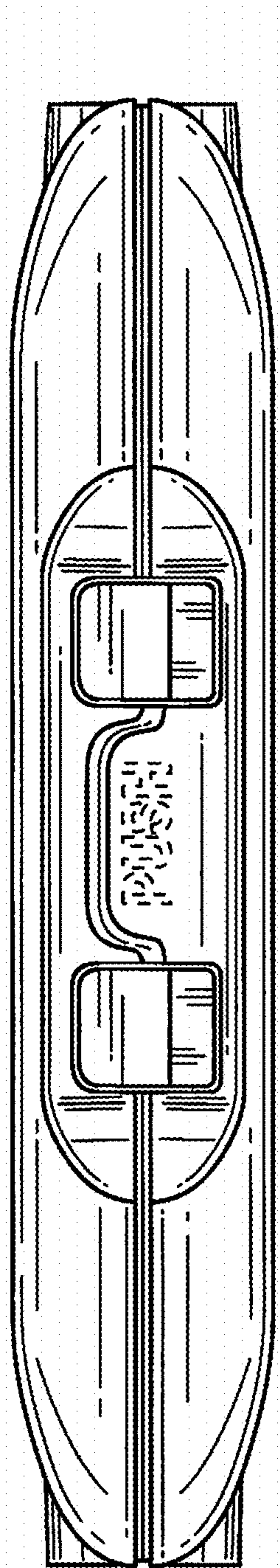




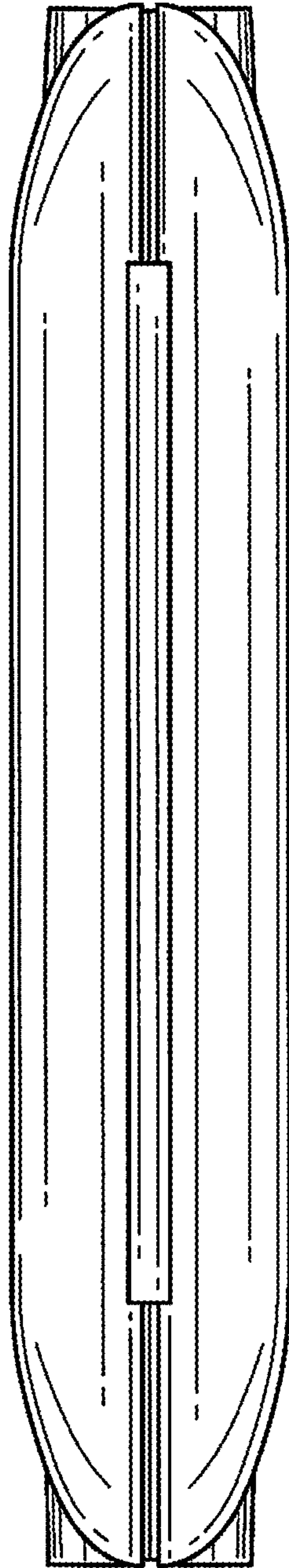
**FIG. 2**



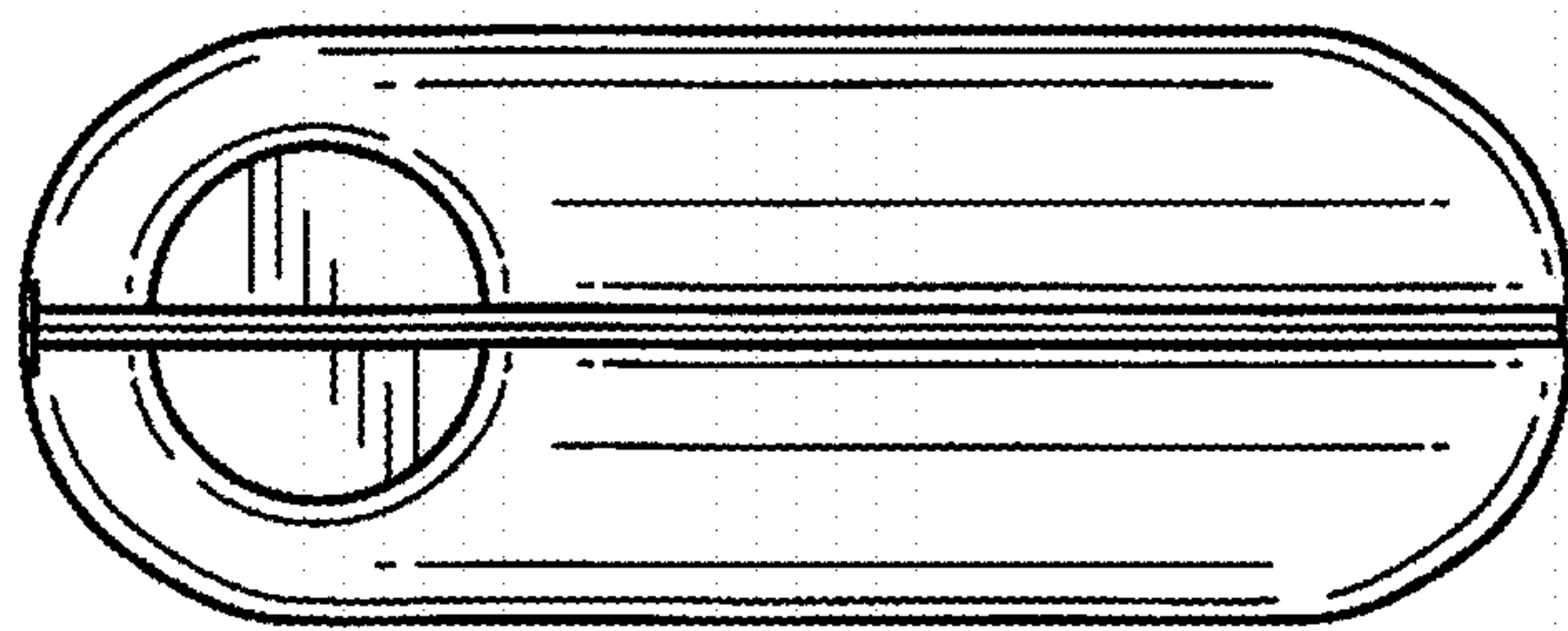
**FIG. 3**



**FIG. 4**

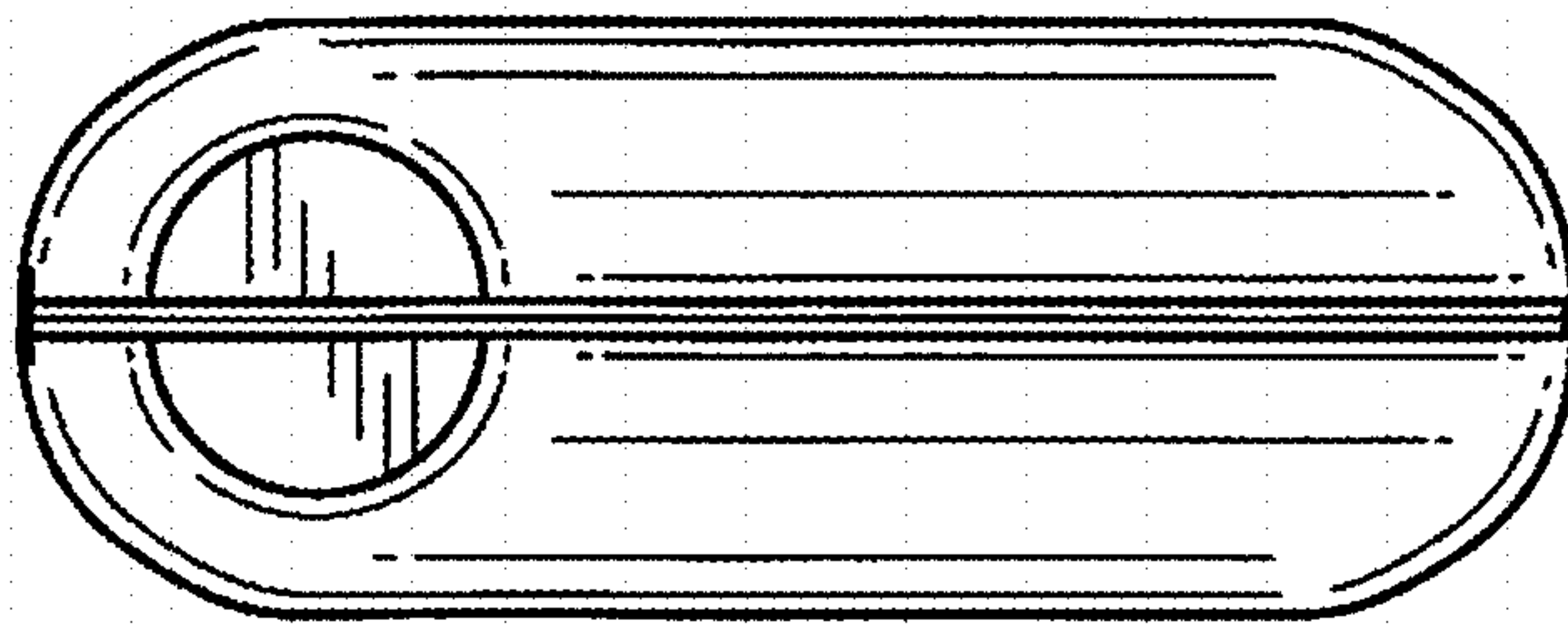


**FIG. 5**



**FIG. 6**





**FIG. 7**

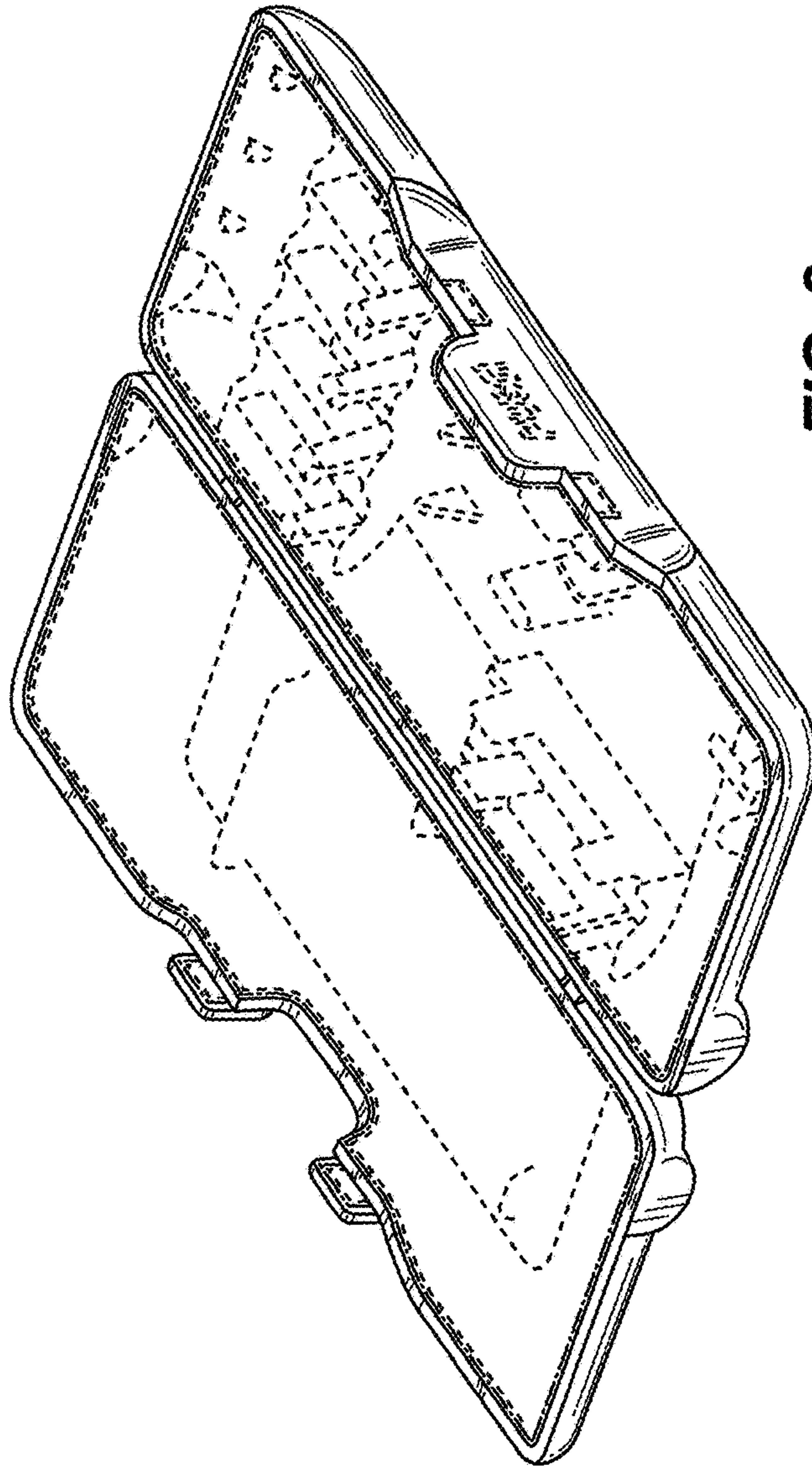
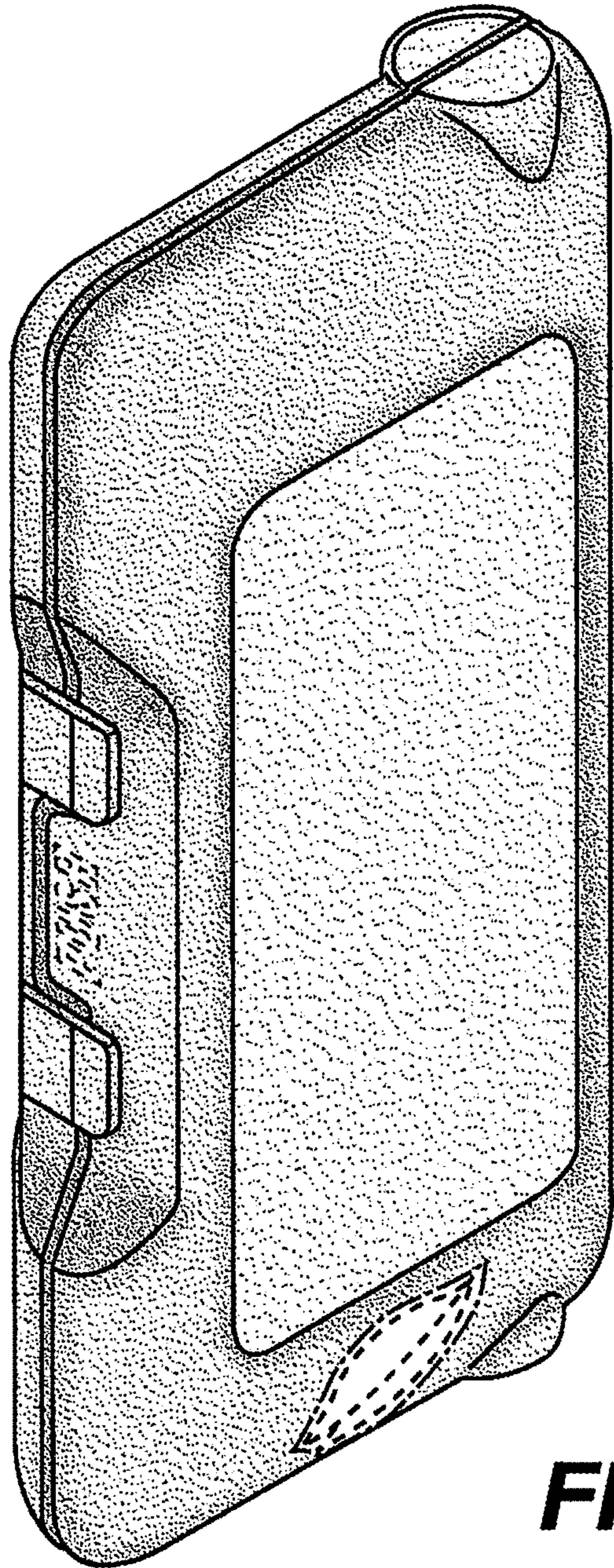
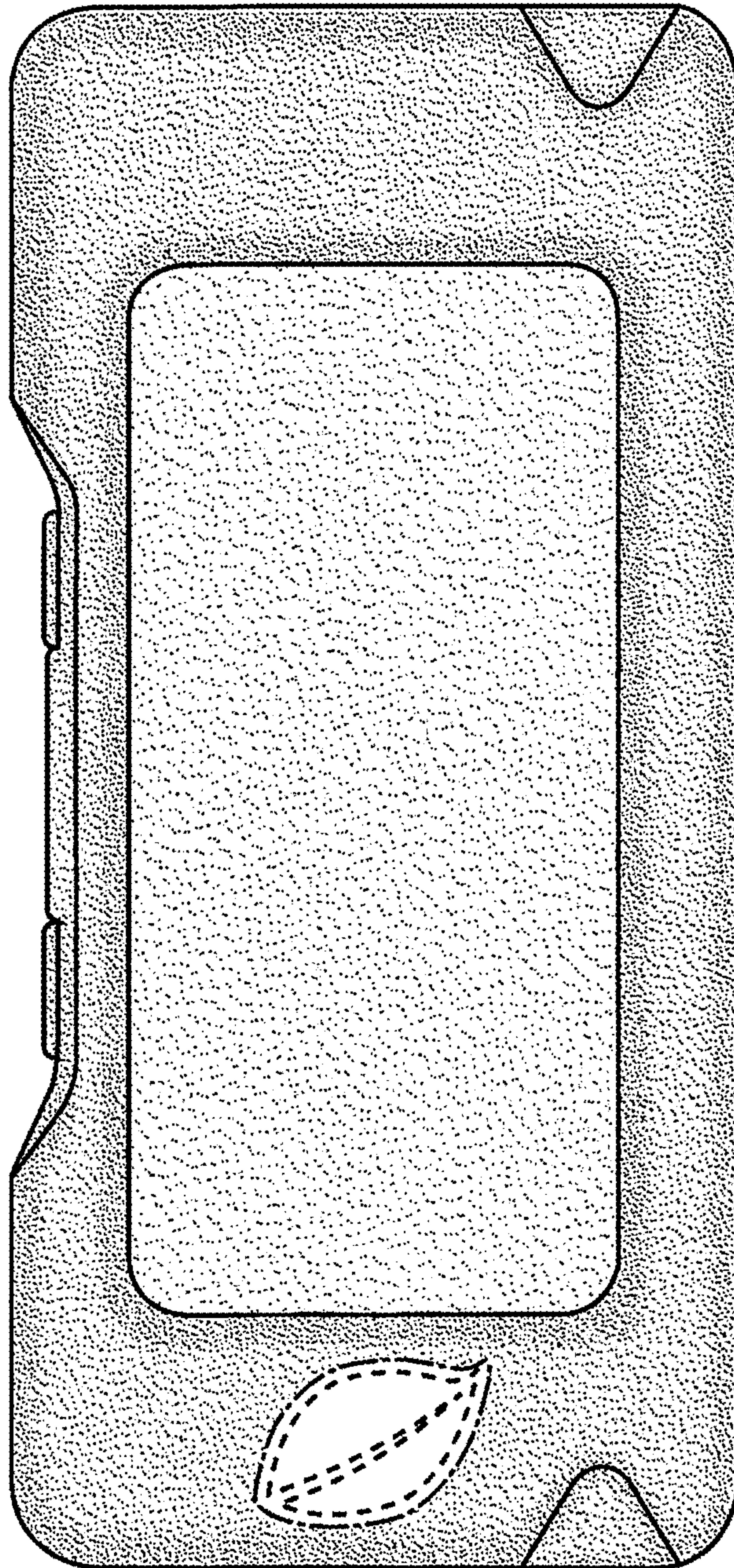


FIG. 8



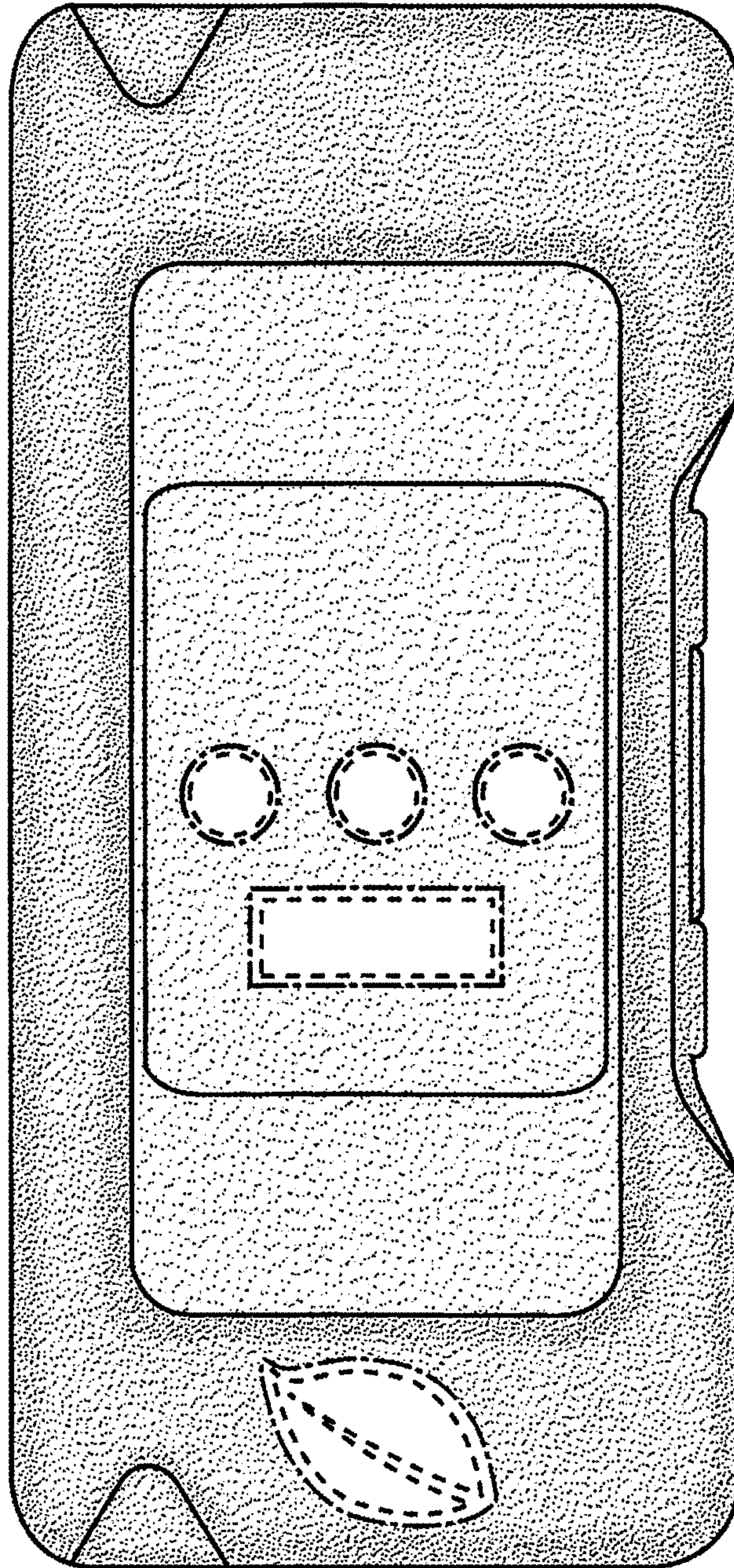
**FIG. 9**





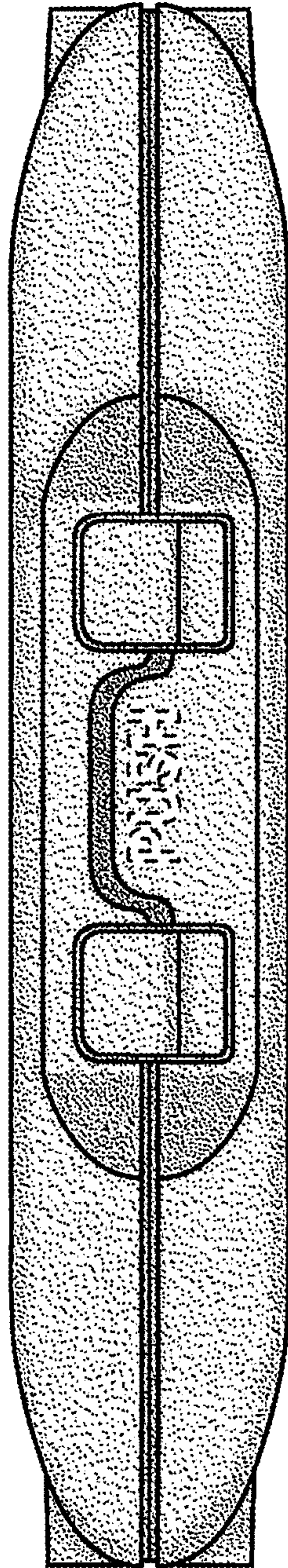
**FIG. 10**



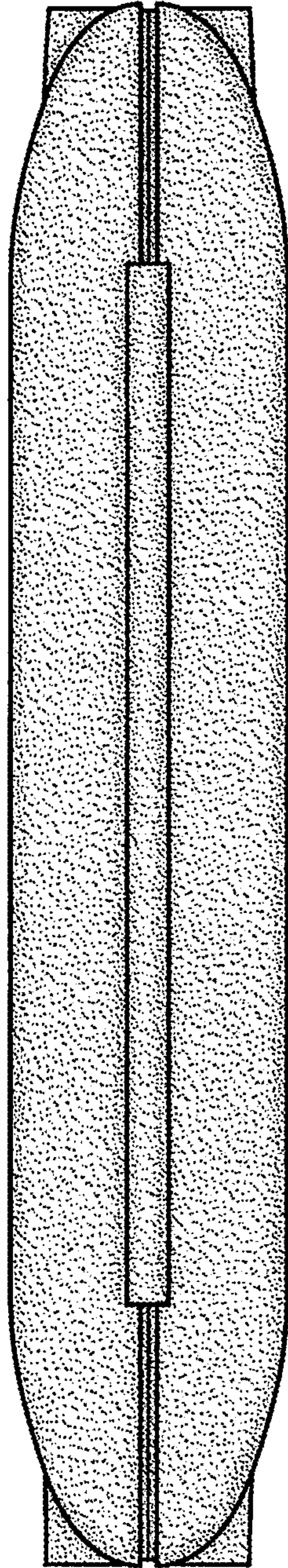


**FIG. 11**

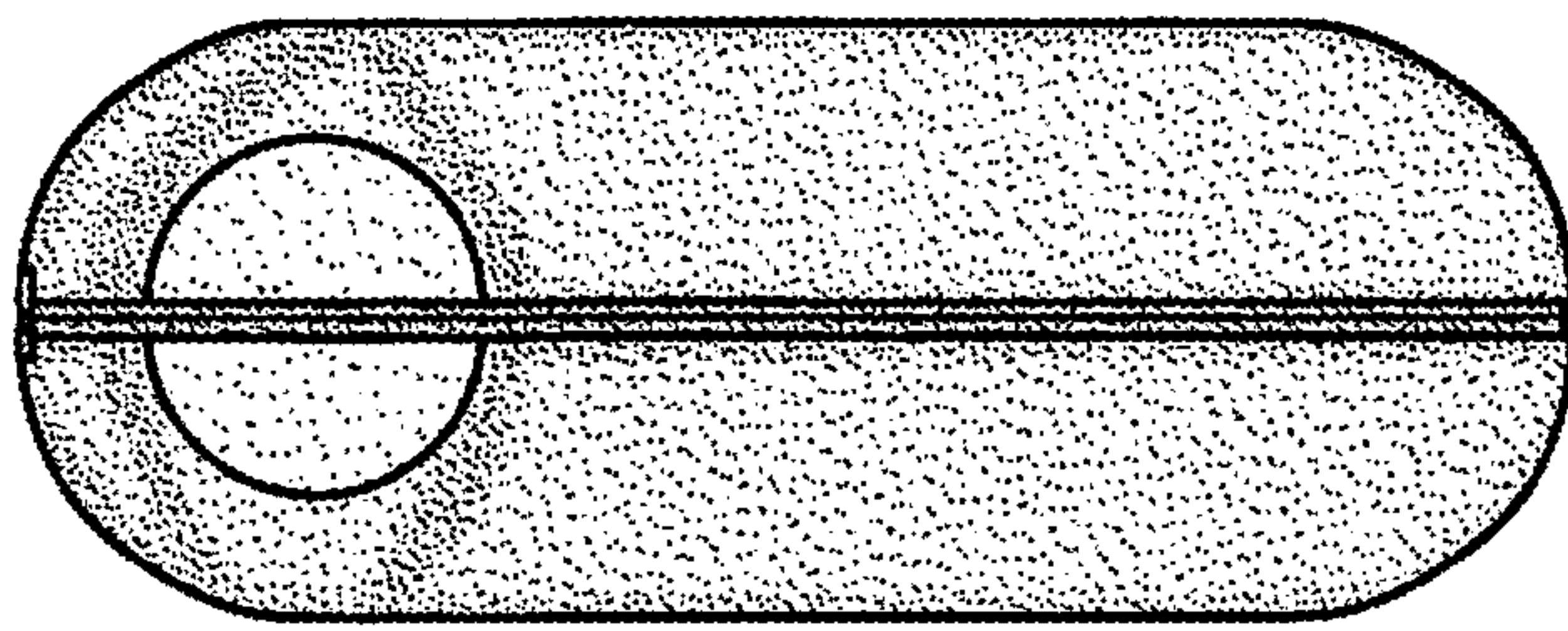




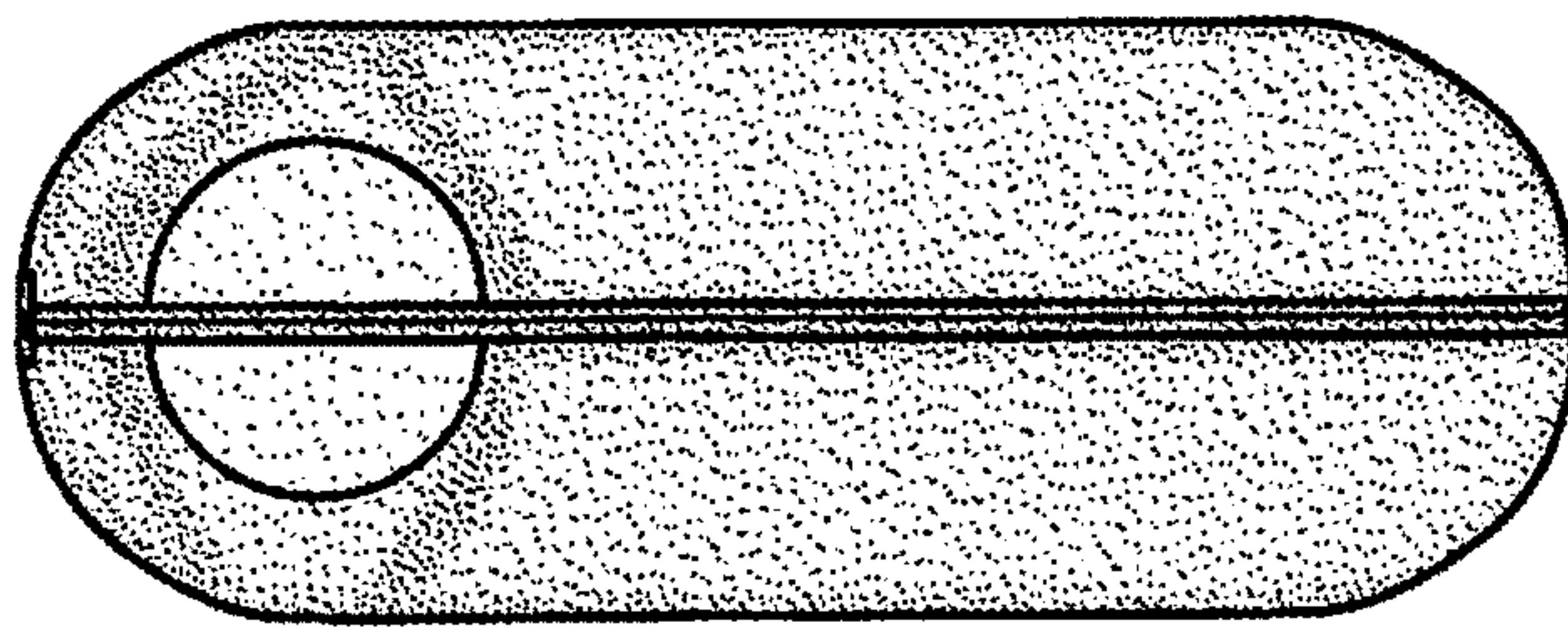
**FIG. 12**



**FIG. 13**

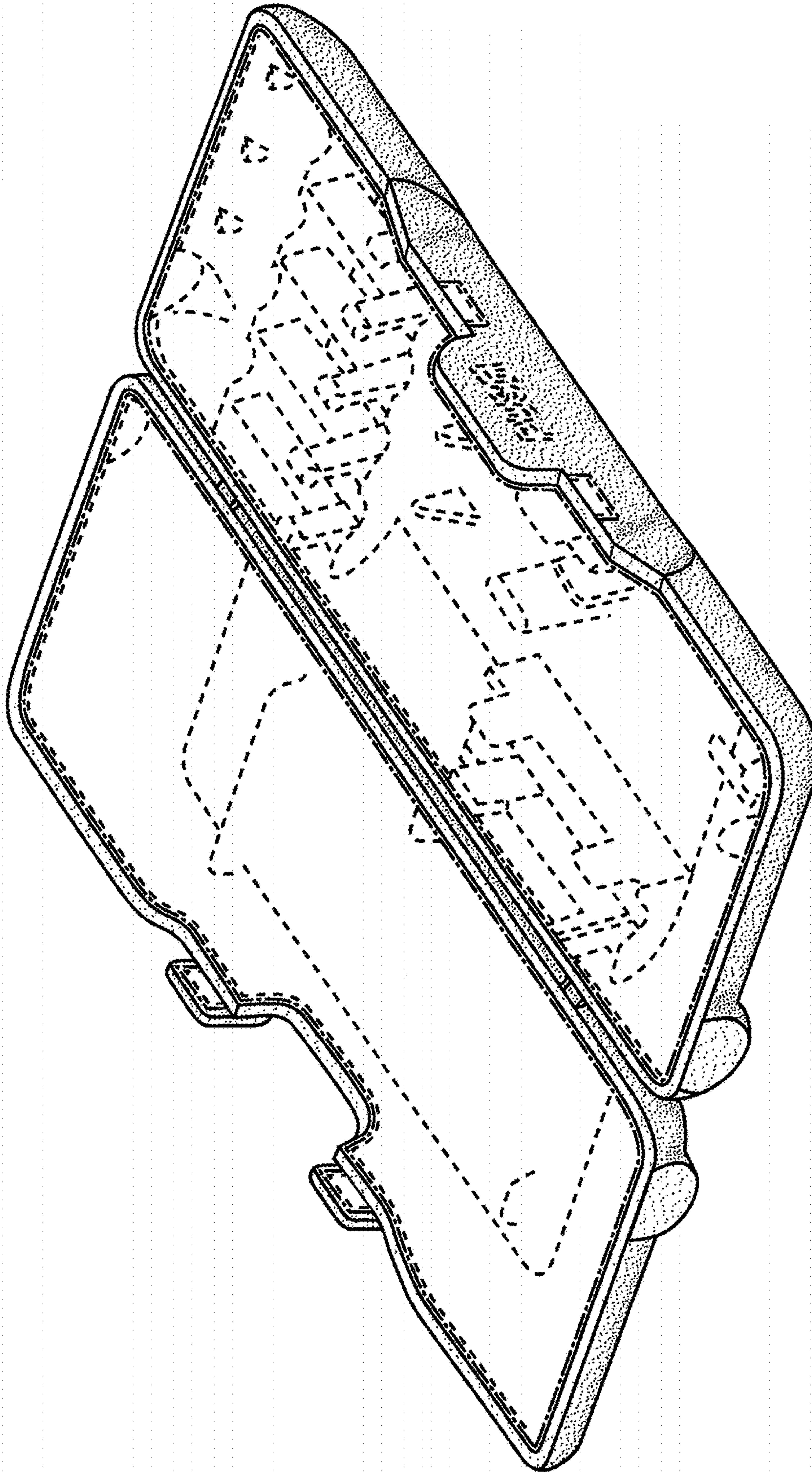


**FIG. 14**



**FIG. 15**





**FIG. 16**