



US00D800548S

(12) **United States Design Patent** (10) **Patent No.:** **US D800,548 S**
Sill et al. (45) **Date of Patent:** **** Oct. 24, 2017**

(54) **CLOSEABLE CONTAINER**
(71) Applicant: **Inno-Pak, LLC**, Delaware, OH (US)
(72) Inventors: **Jonathan D. Sill**, Powell, OH (US);
Steven A. Mayer, Indianapolis, IN (US)

D536,245 S 2/2007 Bruun
D536,612 S 2/2007 Geurts et al.
D578,883 S 10/2008 Kisch
D580,751 S 11/2008 Blick
D587,998 S * 3/2009 Kaisanlahti D9/433
D593,211 S 5/2009 Dewitt

(Continued)

(73) Assignee: **Inno-Pak, LLC**, Delaware, OH (US)
(**) Term: **15 Years**

Primary Examiner — Wan Laymon
Assistant Examiner — Clint A Samuel
(74) *Attorney, Agent, or Firm* — Ward and Smith, P.A.;
Ryan K. Simmons

(21) Appl. No.: **29/567,062**
(22) Filed: **Jun. 6, 2016**
(51) **LOC (10) Cl.** **09-03**
(52) **U.S. Cl.**
USPC **D9/418**
(58) **Field of Classification Search**
USPC D9/414, 418–422, 431–433, 499;
D7/612; D19/91
CPC B65D 5/4204
See application file for complete search history.

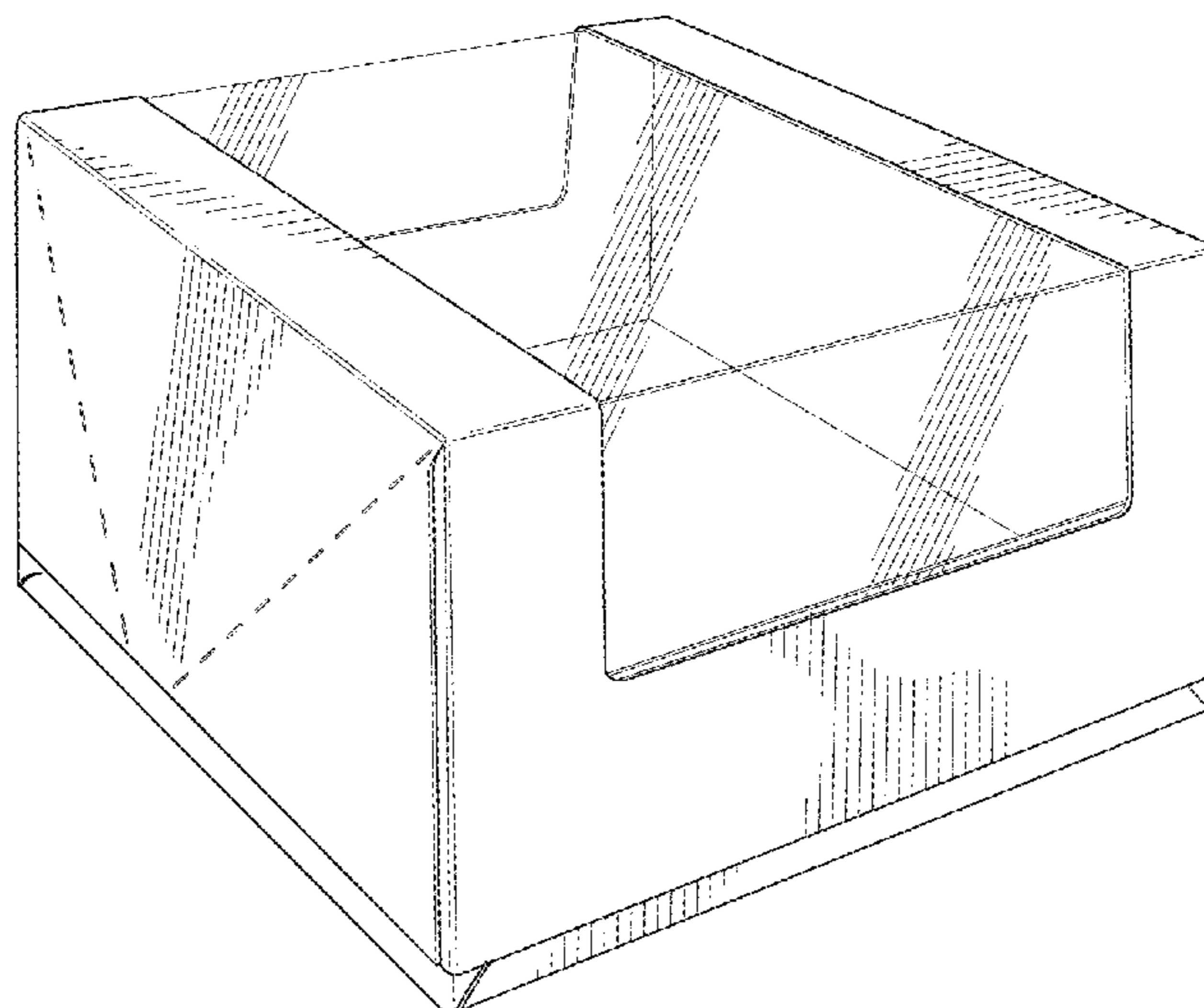
(57) **CLAIM**
The ornamental design for a closeable container, as shown and described.

(56) **References Cited**
U.S. PATENT DOCUMENTS

D259,253 S 5/1981 Nelson
D291,065 S 7/1987 Pugh
D295,958 S 5/1988 Pugh
4,911,298 A 3/1990 Miyagawa
D309,262 S 7/1990 Coiner
D332,347 S 1/1993 Raadt
D332,744 S 1/1993 McCooey
D333,781 S 3/1993 Kobel
D365,755 S 1/1996 Kanfer et al.
D372,401 S 8/1996 Lillelund et al.
D401,147 S 11/1998 Miller
D415,960 S 11/1999 Majdanski et al.
D464,878 S 10/2002 Thompson
D469,349 S 1/2003 Meeker et al.
D469,692 S 2/2003 Meeker et al.
D485,172 S 1/2004 Defino
D519,366 S 4/2006 Epstein

DESCRIPTION
FIG. 1 is a perspective view of a closeable container showing a new design;
FIG. 2 is a front view thereof;
FIG. 3 is a rear view thereof;
FIG. 4 is a left side view thereof, the right side being a mirror image;
FIG. 5 is a top view thereof;
FIG. 6 is a bottom view thereof;
FIG. 7 is a perspective view of the closeable container showing the closeable container in an open configuration;
FIG. 8 is a perspective view of a closeable container in accordance with a second embodiment of the invention;
FIG. 9 is a front view thereof;
FIG. 10 is a left side view thereof, the right side being a mirror image;
FIG. 11 is a top view thereof; and,
FIG. 12 is a perspective view of the closeable container showing the closeable container in an open configuration.
The broken lines shown in the figures are included for the purpose of illustrating perforations and form part of the claimed design.

1 Claim, 10 Drawing Sheets



(56)

References Cited

U.S. PATENT DOCUMENTS

| | | | | | | |
|--------------|---------|--------------------|-------------------|---------|----------------|--------------------------|
| D595,104 S | 6/2009 | Goodrich | D713,716 S | 9/2014 | Oja et al. | |
| D602,353 S | 10/2009 | Anderson et al. | D716,649 S | 11/2014 | McAdam | |
| D607,987 S | 1/2010 | Paxton | D717,162 S | 11/2014 | Baker | |
| D617,636 S | 6/2010 | Vanhoutte | D717,163 S | 11/2014 | Paulsen | |
| D618,543 S | 6/2010 | Polaski | D717,645 S | 11/2014 | Wilmsers | |
| 7,780,004 B2 | 8/2010 | Carlozzi | D719,440 S | 12/2014 | Matloff | |
| D623,939 S | 9/2010 | Tearle | D727,732 S | 4/2015 | Petty | |
| D626,831 S | 11/2010 | Nicholas | D728,357 S | 5/2015 | Pierce | |
| D636,662 S | 4/2011 | Ignacio et al. | D729,055 S | 5/2015 | Lemnios et al. | |
| D637,078 S | 5/2011 | Peng | D729,058 S | 5/2015 | Ishikawa | |
| D638,702 S | 5/2011 | Lowery | D739,228 S | 9/2015 | Jondal et al. | |
| D644,099 S | 8/2011 | Martinez Rodriguez | D746,673 S | 1/2016 | Sanfilippo | |
| D644,508 S | 9/2011 | Martinez Rodriguez | D746,700 S | 1/2016 | Boehnen et al. | |
| D646,964 S | 10/2011 | Ampadu | D753,919 S | 4/2016 | Parker | |
| D647,398 S | 10/2011 | Winkler | D760,598 S | 7/2016 | White | |
| D649,067 S | 11/2011 | Birdwell et al. | D762,113 S * | 7/2016 | Mayer | D9/418 |
| D649,886 S | 12/2011 | Ocampo | D766,108 S | 9/2016 | Brown | |
| D651,074 S | 12/2011 | Lacey | D774,891 S * | 12/2016 | Mayer | D9/418 |
| D655,153 S | 3/2012 | Mitten | D774,893 S * | 12/2016 | Mayer | D9/418 |
| D668,540 S | 10/2012 | Lutzig | D774,895 S * | 12/2016 | Mayer | D9/418 |
| D675,092 S | 1/2013 | Sill | D774,896 S * | 12/2016 | Mayer | D9/418 |
| D675,920 S * | 2/2013 | Sill | D774,897 S * | 12/2016 | Mayer | D9/418 |
| D678,779 S | 3/2013 | Lee | D774,898 S * | 12/2016 | Mayer | D9/418 |
| D679,950 S | 4/2013 | Cooper | D776,522 S * | 1/2017 | Mayer | D9/418 |
| D681,444 S | 5/2013 | Oja et al. | D786,663 S * | 5/2017 | Mayer | D9/418 |
| D685,633 S | 7/2013 | Thomas | D787,313 S * | 5/2017 | Mayer | D9/418 |
| D688,568 S | 8/2013 | Noel | D787,314 S * | 5/2017 | Sill | D9/418 |
| D693,215 S | 11/2013 | Sill | D787,315 S * | 5/2017 | Sill | D9/418 |
| D693,216 S | 11/2013 | Sill | D787,316 S * | 5/2017 | Sill | D9/418 |
| D693,217 S | 11/2013 | Sill | D787,929 S * | 5/2017 | Sill | D9/418 |
| D693,218 S | 11/2013 | Sill | D787,933 S * | 5/2017 | Sill | D9/418 |
| D695,104 S | 12/2013 | Sill | 2009/0236351 A1 | 9/2009 | Chu et al. | |
| D696,725 S | 12/2013 | Sasken-Duff et al. | 2010/0059579 A1 * | 3/2010 | House | B65D 5/4204 229/120 |
| 8,607,987 B2 | 12/2013 | Oja et al. | 2014/0103100 A1 * | 4/2014 | Falcon | B65D 5/4204 229/103.2 |
| D706,132 S | 6/2014 | Sill | 2015/0344216 A1 | 12/2015 | Petty et al. | |
| D708,511 S | 7/2014 | Green | 2016/0362220 A1 * | 12/2016 | Kearns | B65D 5/4204 |
| D712,275 S | 9/2014 | Irek | 2017/0066586 A1 * | 3/2017 | Petty | B65D 85/36 |

* cited by examiner

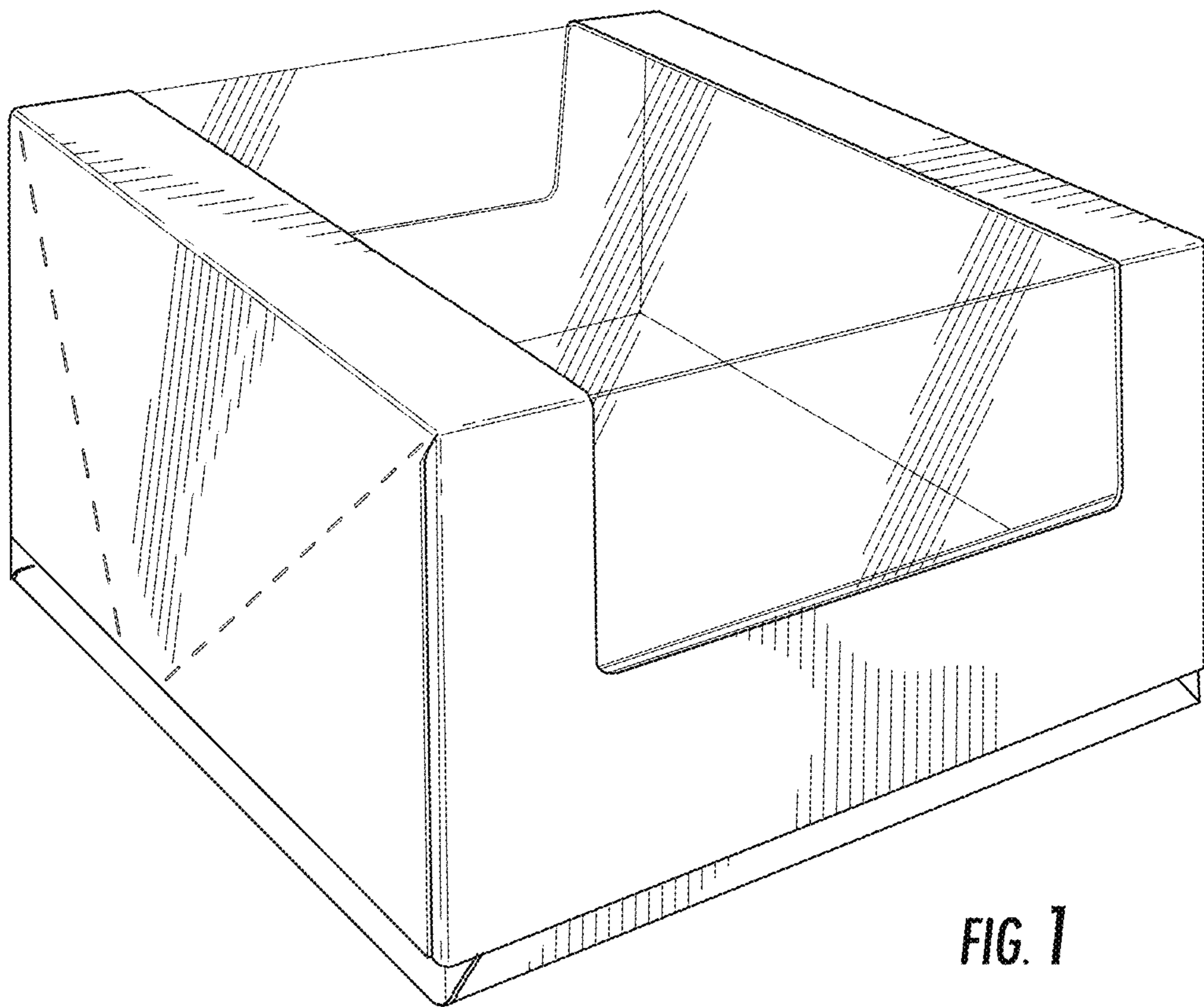


FIG. 1

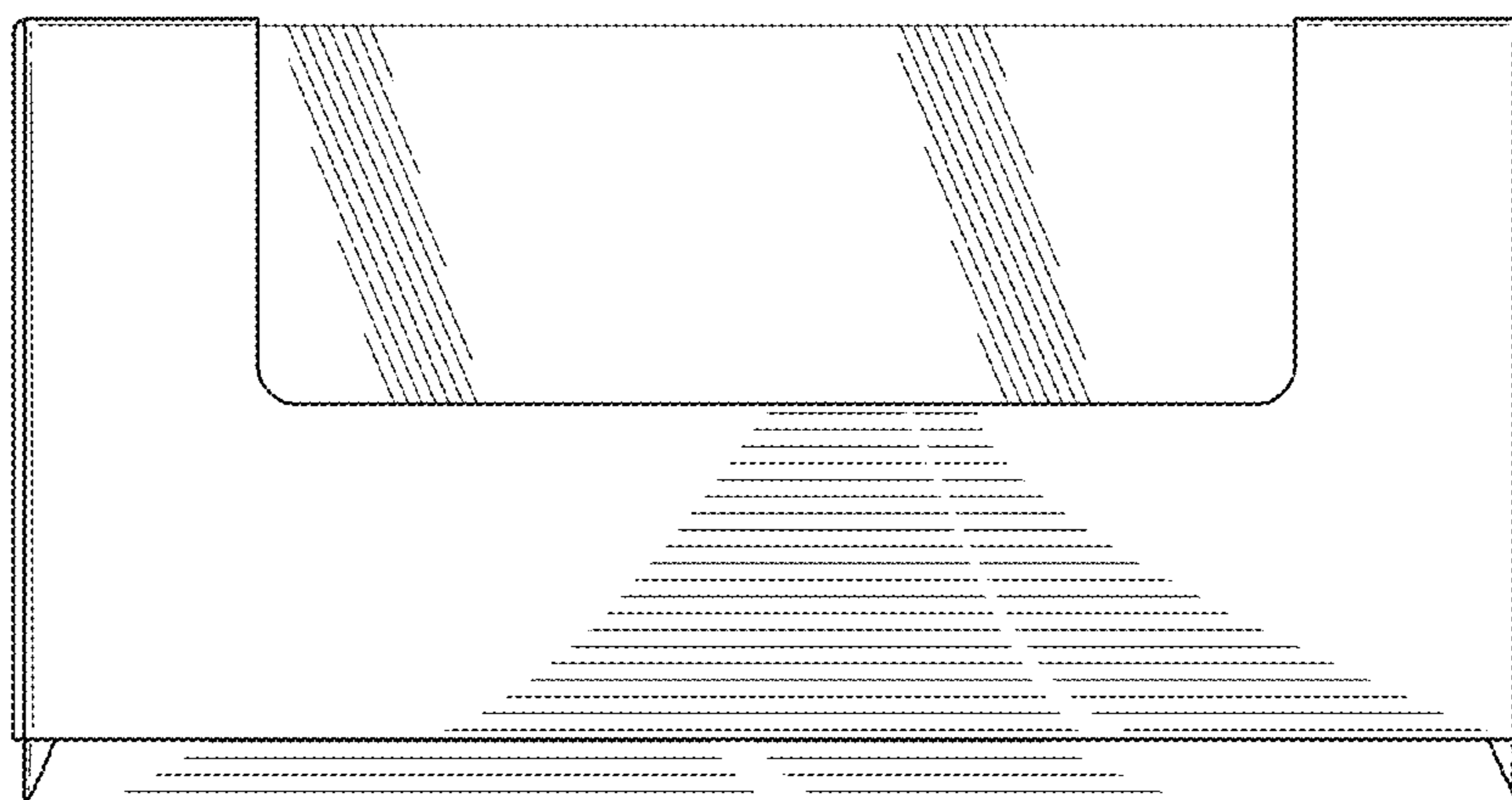


FIG. 2

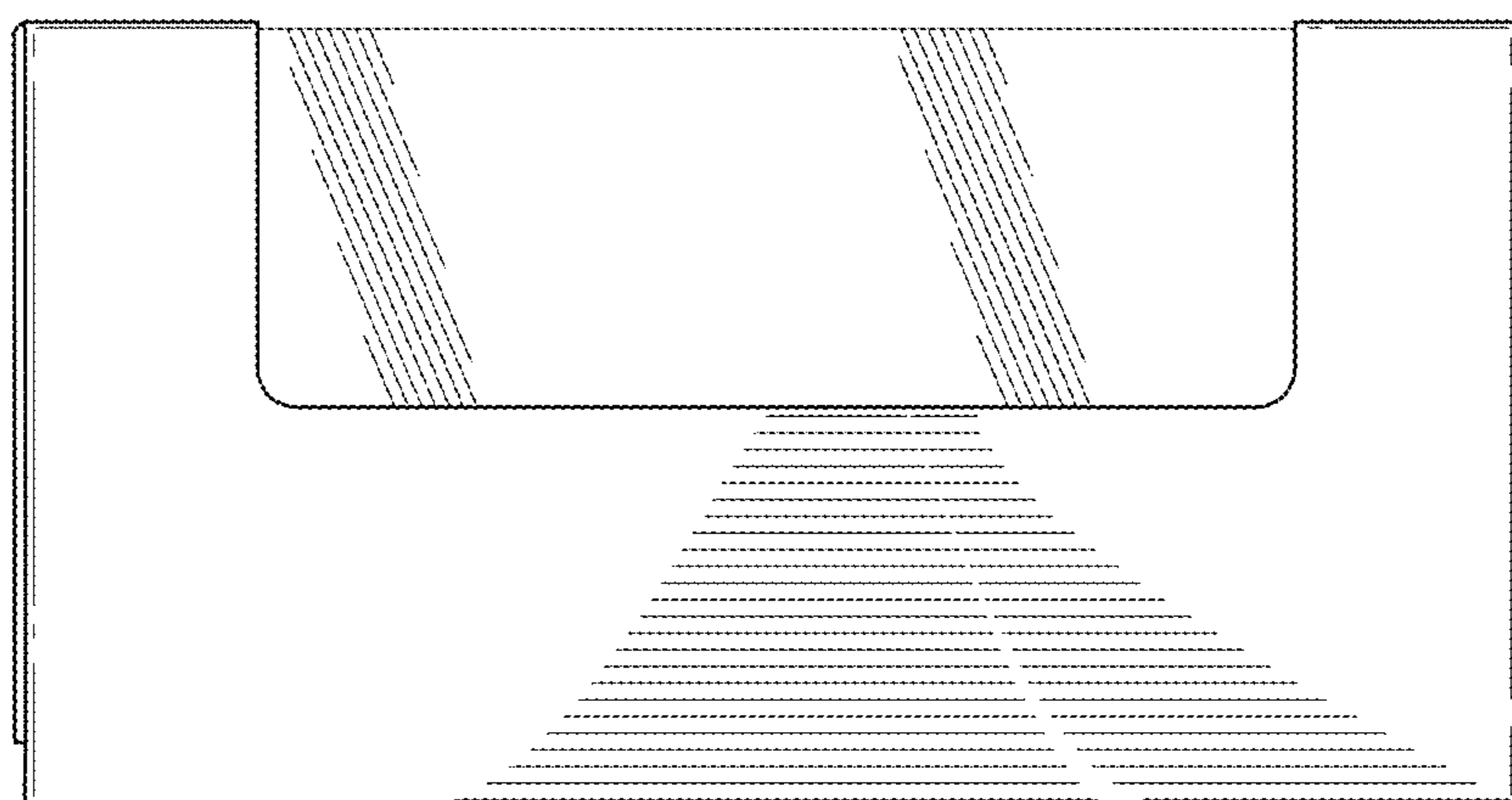


FIG. 3

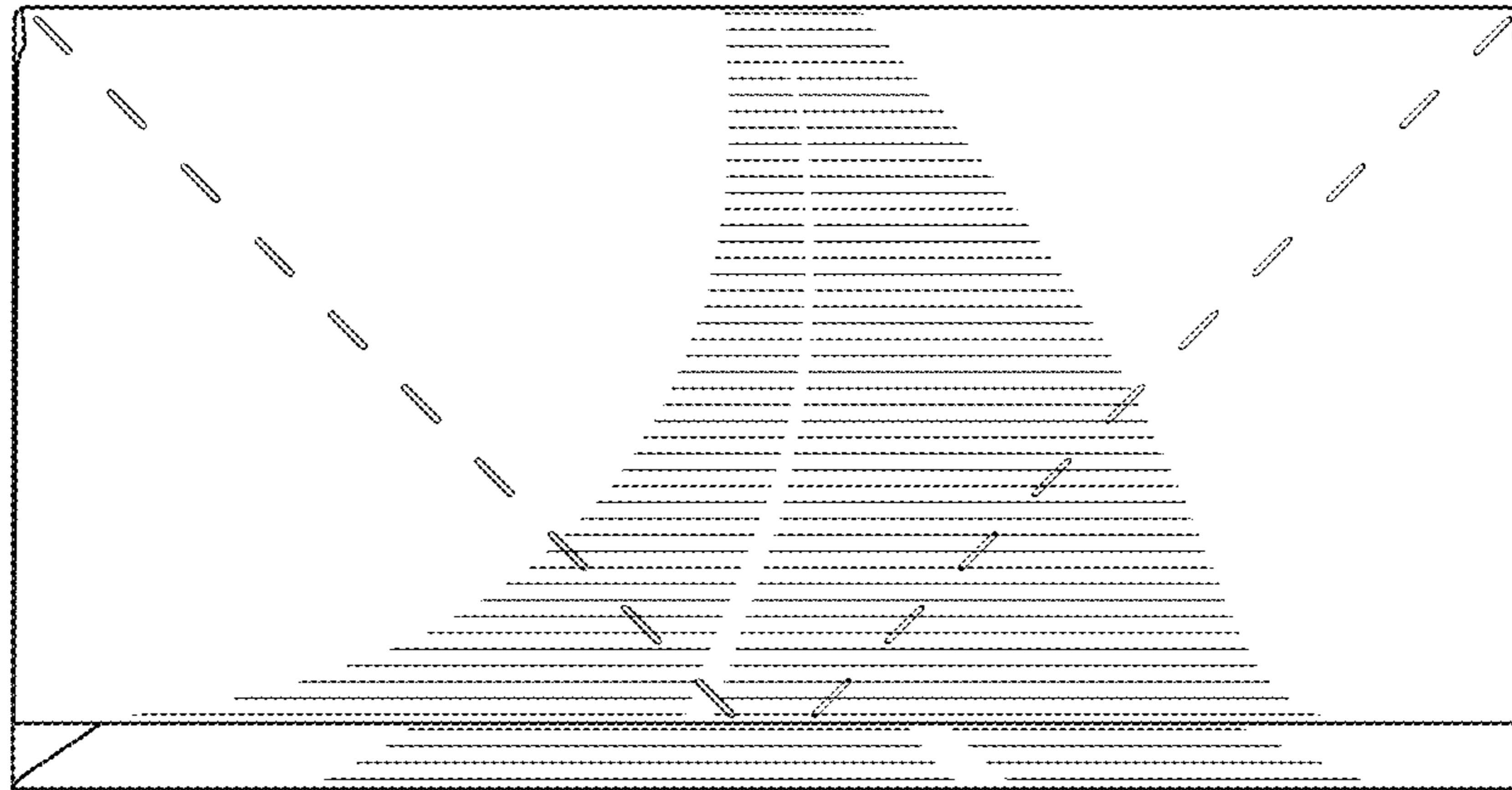


FIG. 4

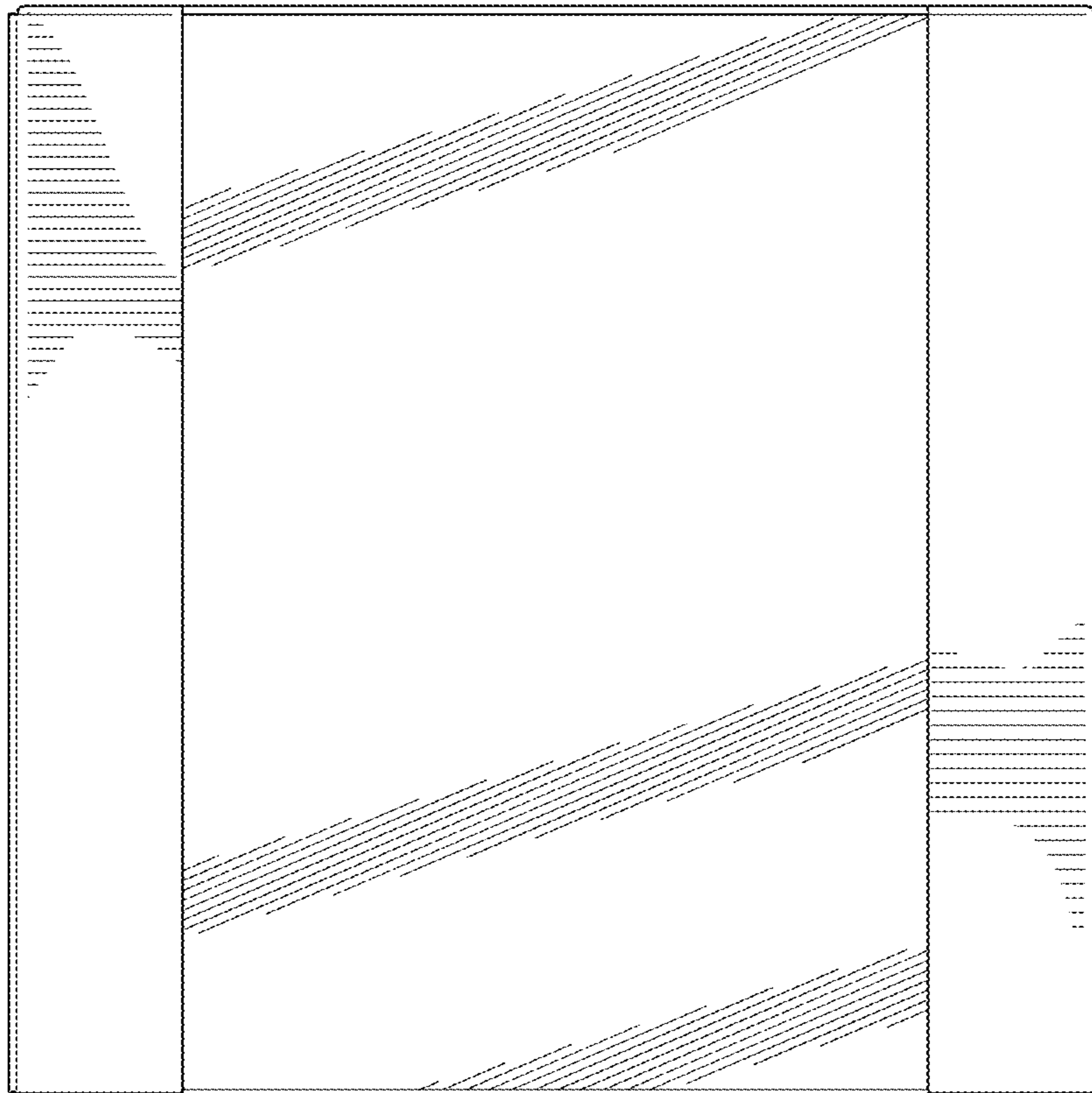


FIG. 5

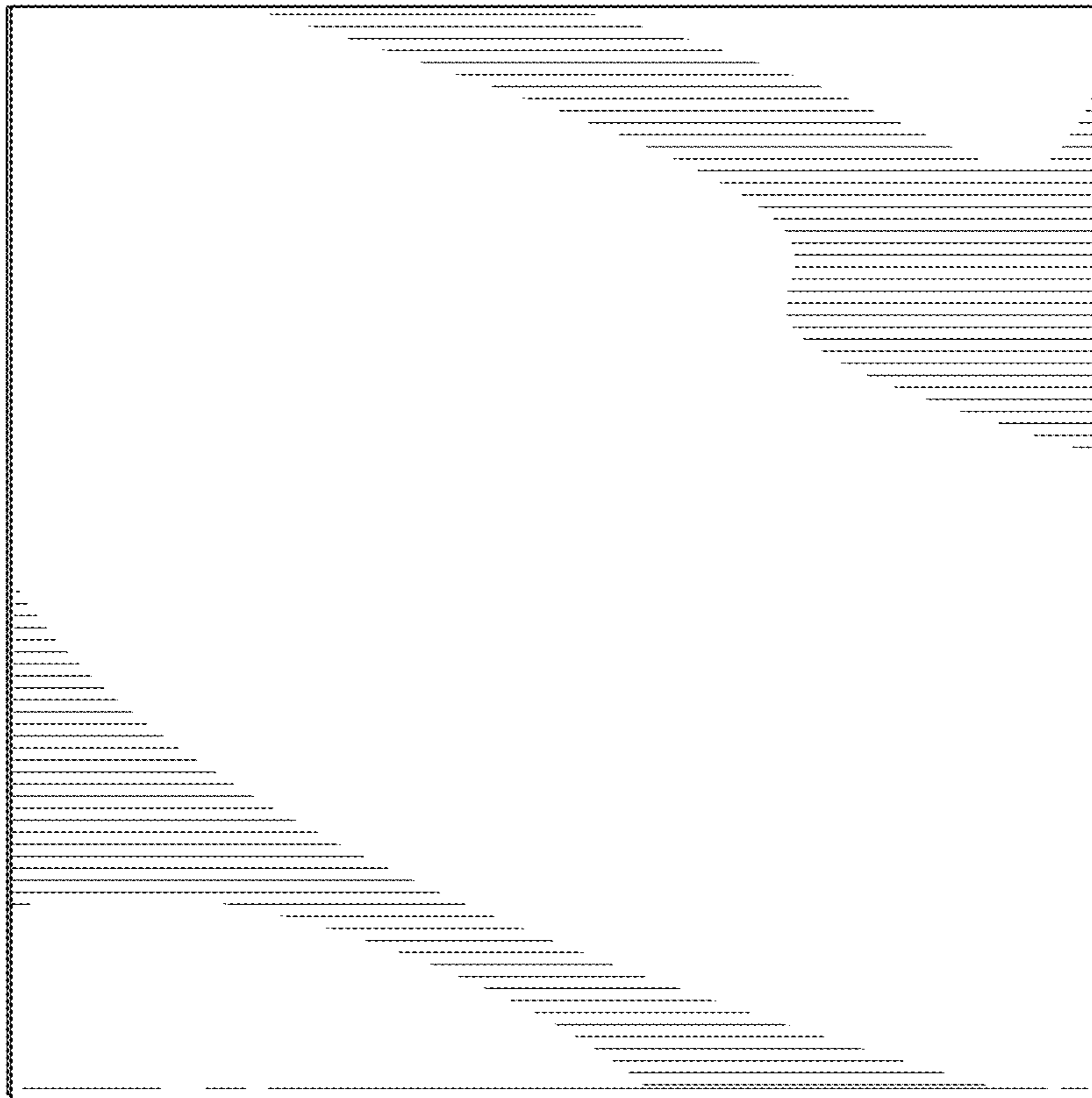


FIG. 6

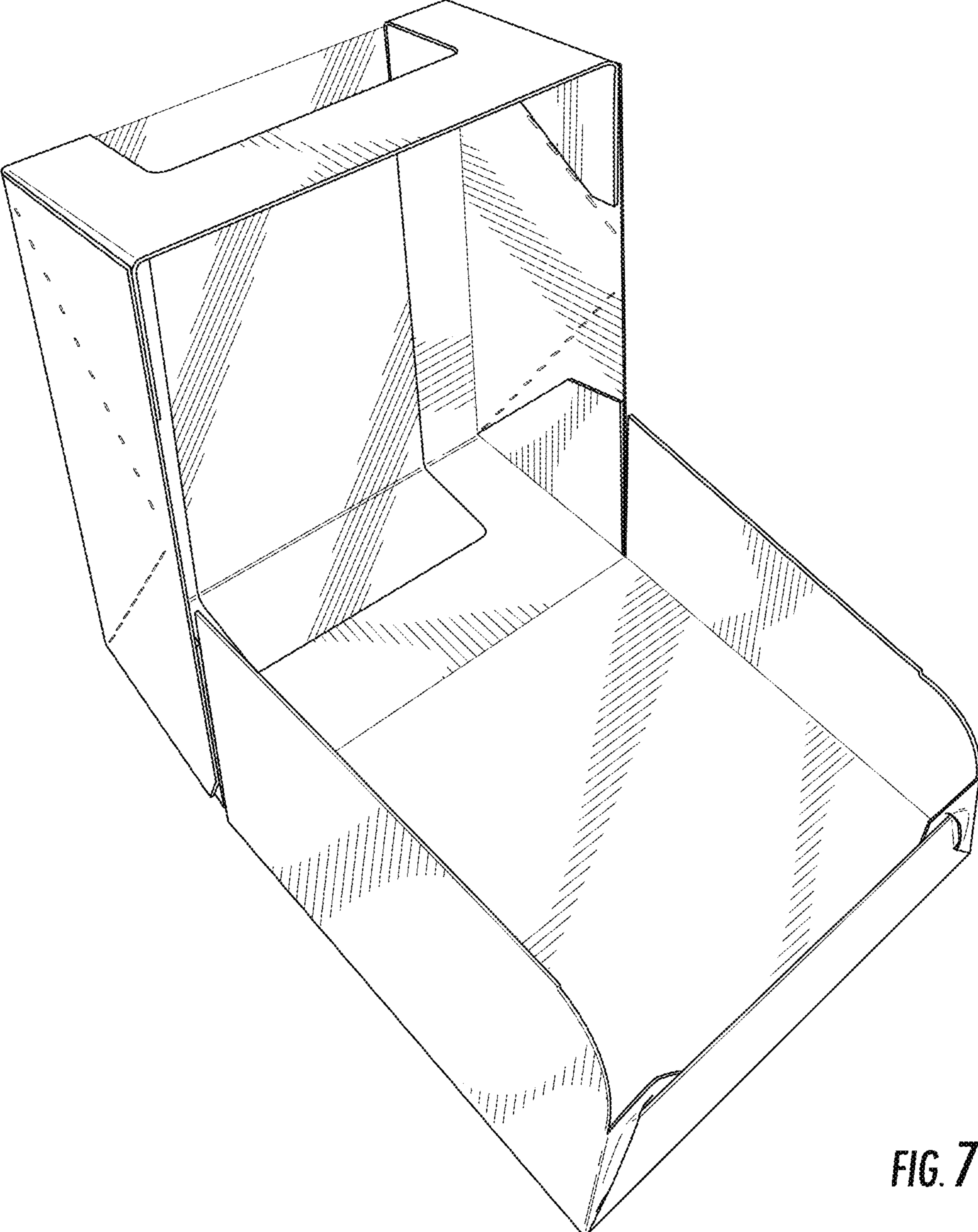


FIG. 7

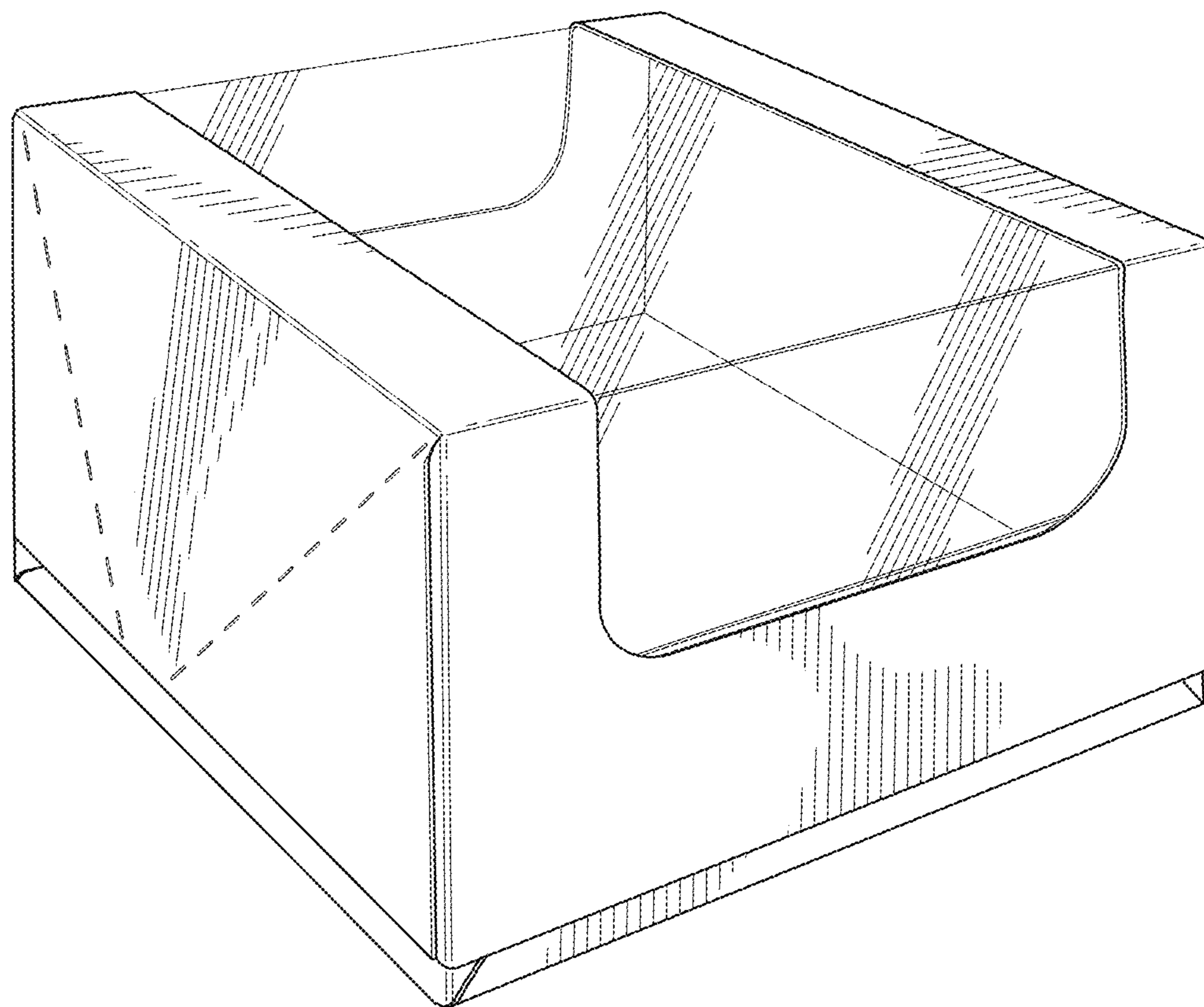


FIG. 8

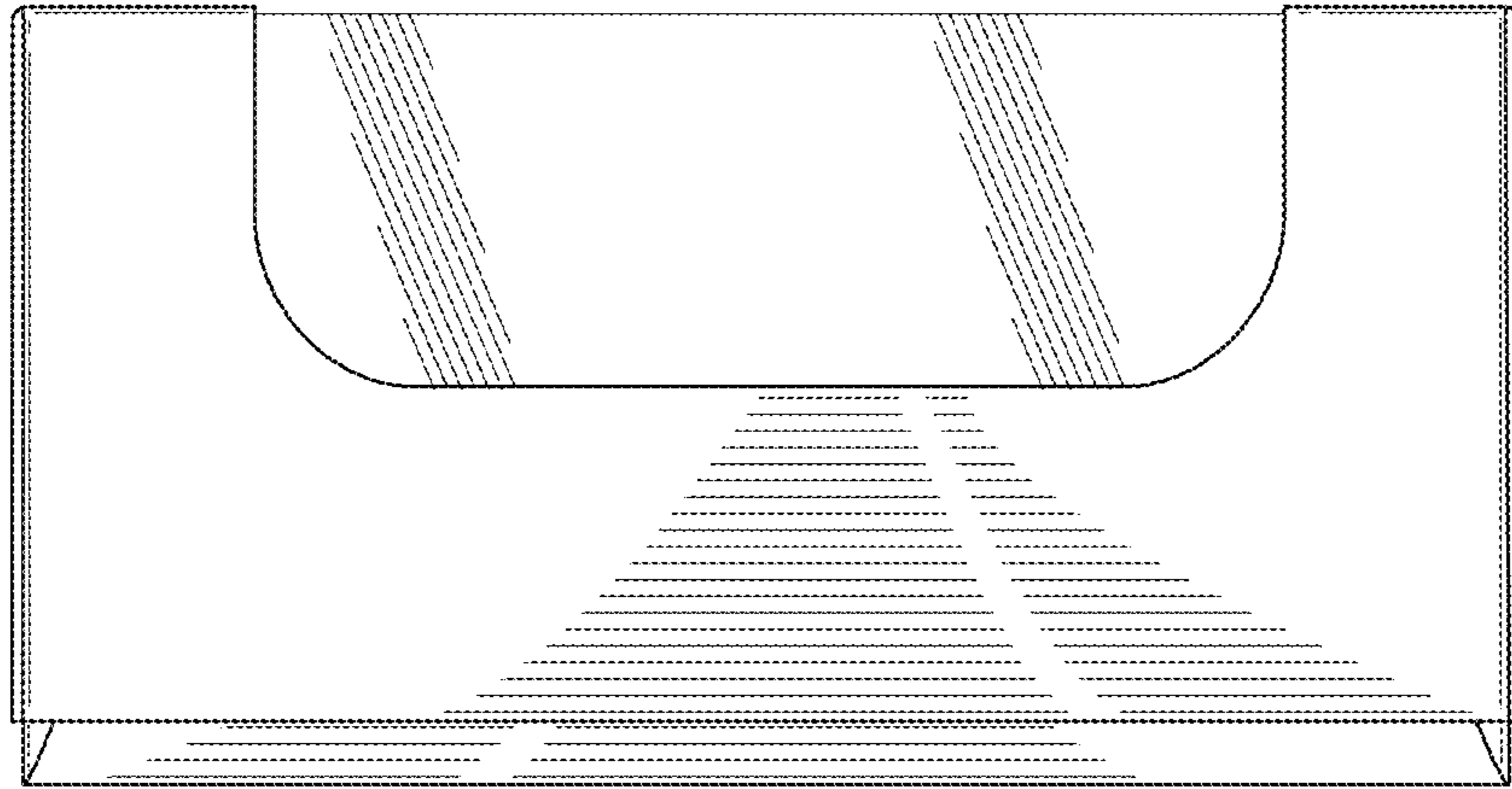


FIG. 9

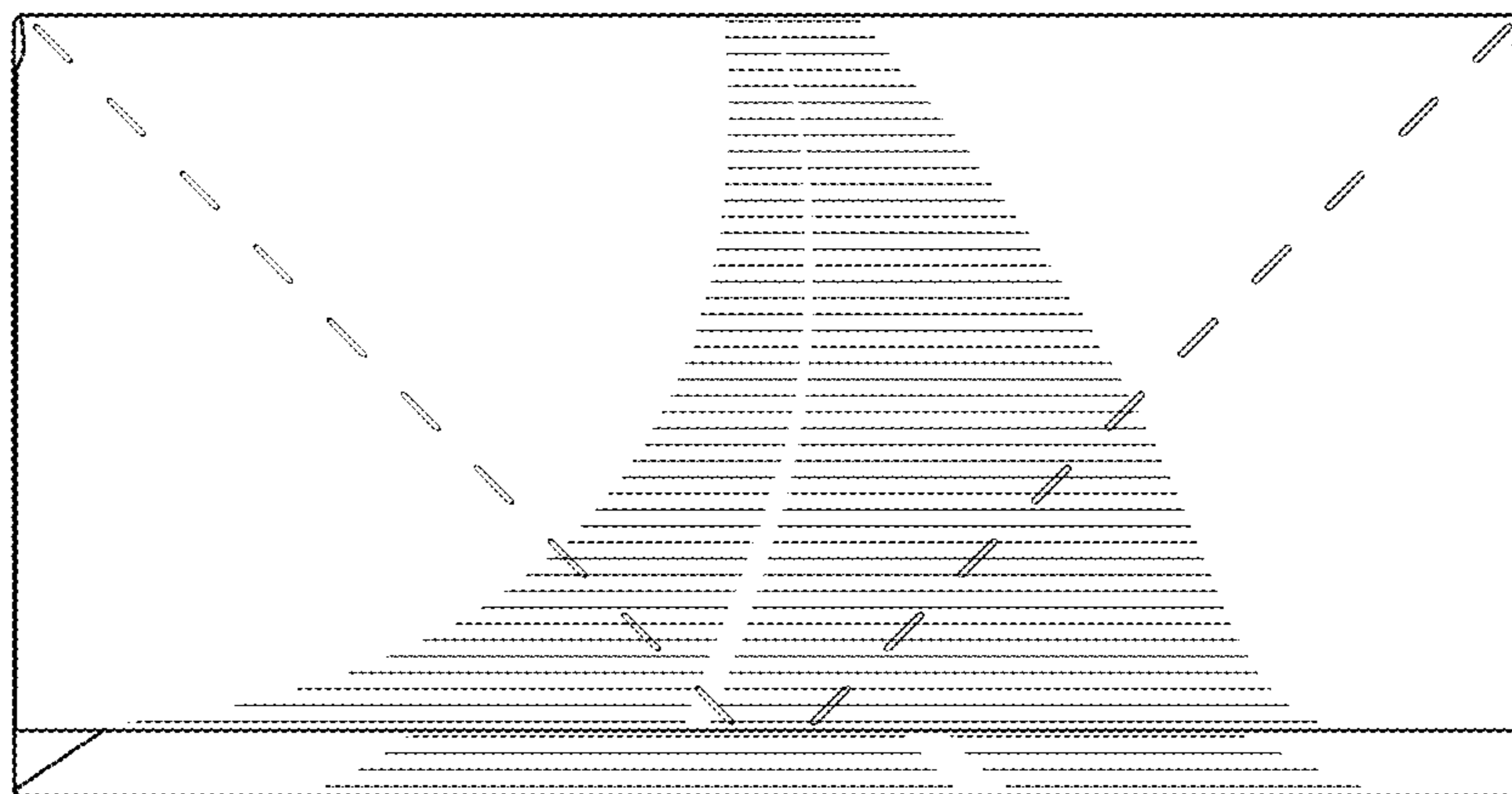


FIG. 10

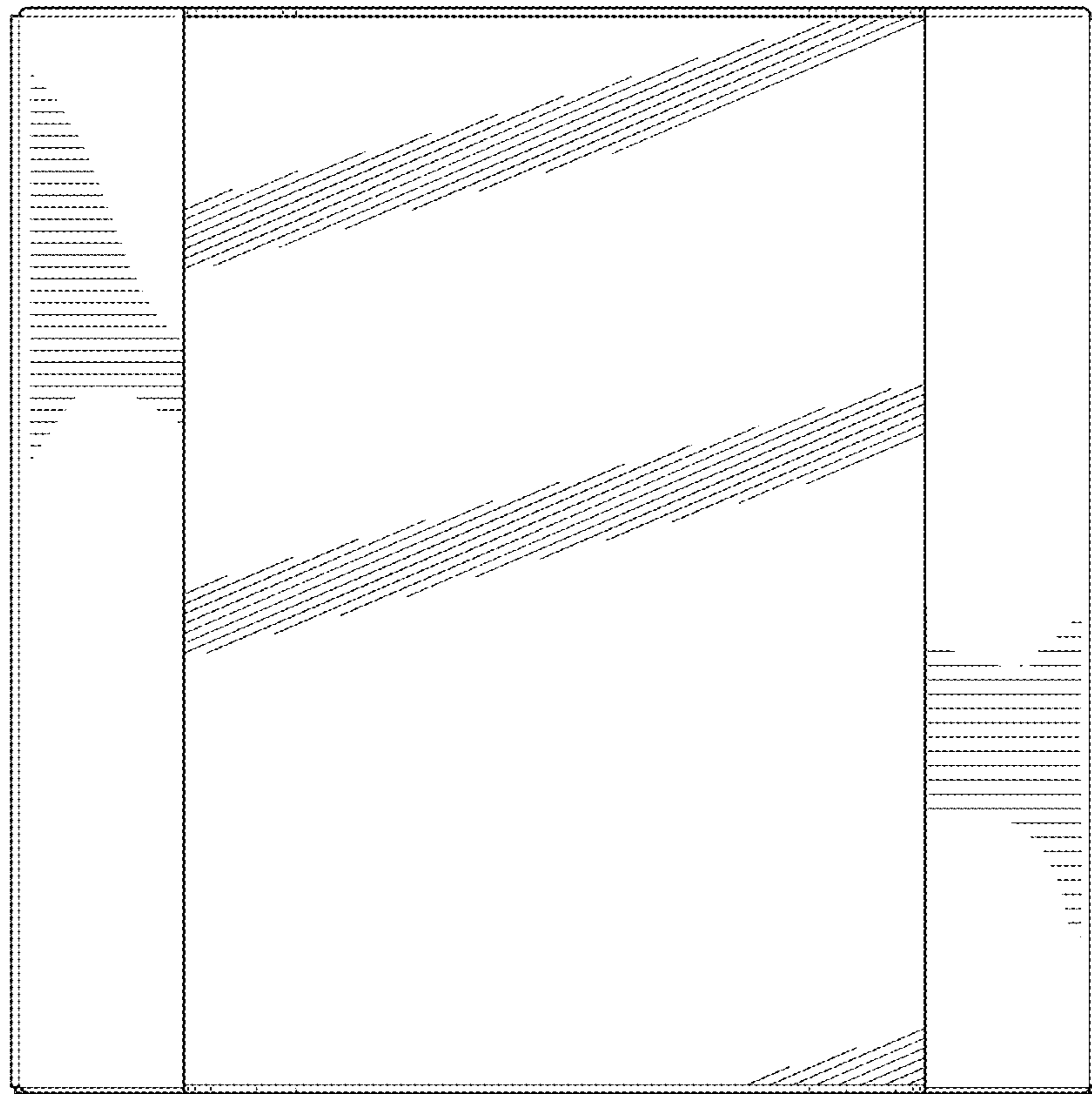


FIG. 11

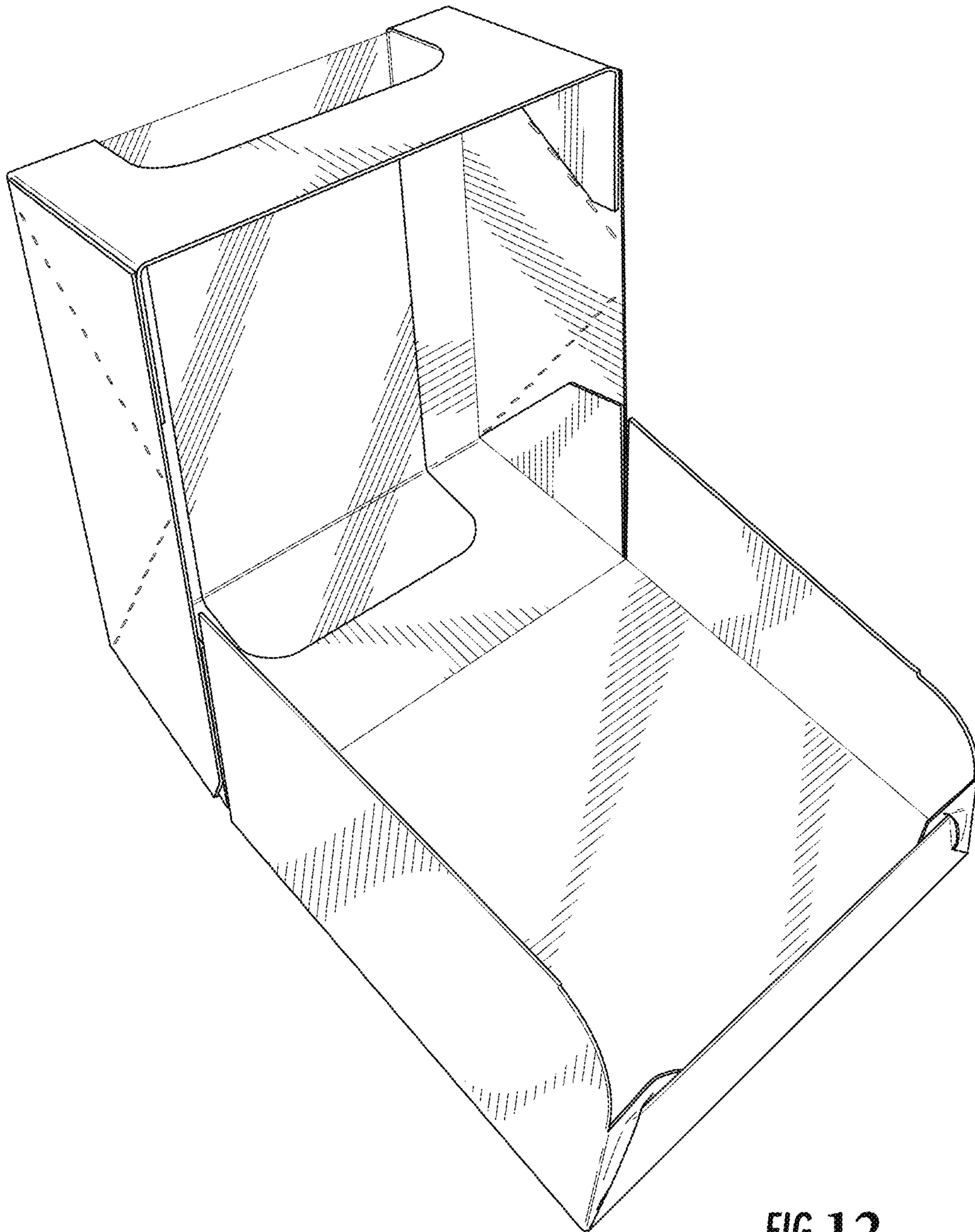


FIG. 12