



US00D800547S

(12) **United States Design Patent** (10) **Patent No.:** **US D800,547 S**  
**Sill et al.** (45) **Date of Patent:** **\*\* Oct. 24, 2017**

- (54) **CLOSEABLE CONTAINER**
- (71) Applicant: **Inno-Pak, LLC**, Delaware, OH (US)
- (72) Inventors: **Jonathan D. Sill**, Powell, OH (US);  
**Steven A. Mayer**, Indianapolis, IN (US)
- (73) Assignee: **Inno-Pak, LLC**, Delaware, OH (US)
- (\*\*) Term: **15 Years**
- (21) Appl. No.: **29/566,228**
- (22) Filed: **May 27, 2016**
- (51) **LOC (10) Cl.** ..... **09-03**
- (52) **U.S. Cl.**  
USPC ..... **D9/418**
- (58) **Field of Classification Search**  
USPC ..... D9/414, 418-422, 431-433, 499;  
D7/612; D19/91  
CPC ..... B65D 5/4204  
See application file for complete search history.

- D536,245 S 2/2007 Bruun  
D536,612 S 2/2007 Geurts et al.  
D578,883 S 10/2008 Kisch  
D580,751 S 11/2008 Blick  
(Continued)

*Primary Examiner* — Wan Laymon  
*Assistant Examiner* — Clint A Samuel  
(74) *Attorney, Agent, or Firm* — Ward and Smith, P.A.;  
Ryan K. Simmons

(57) **CLAIM**

The ornamental design for a closeable container, as shown and described.

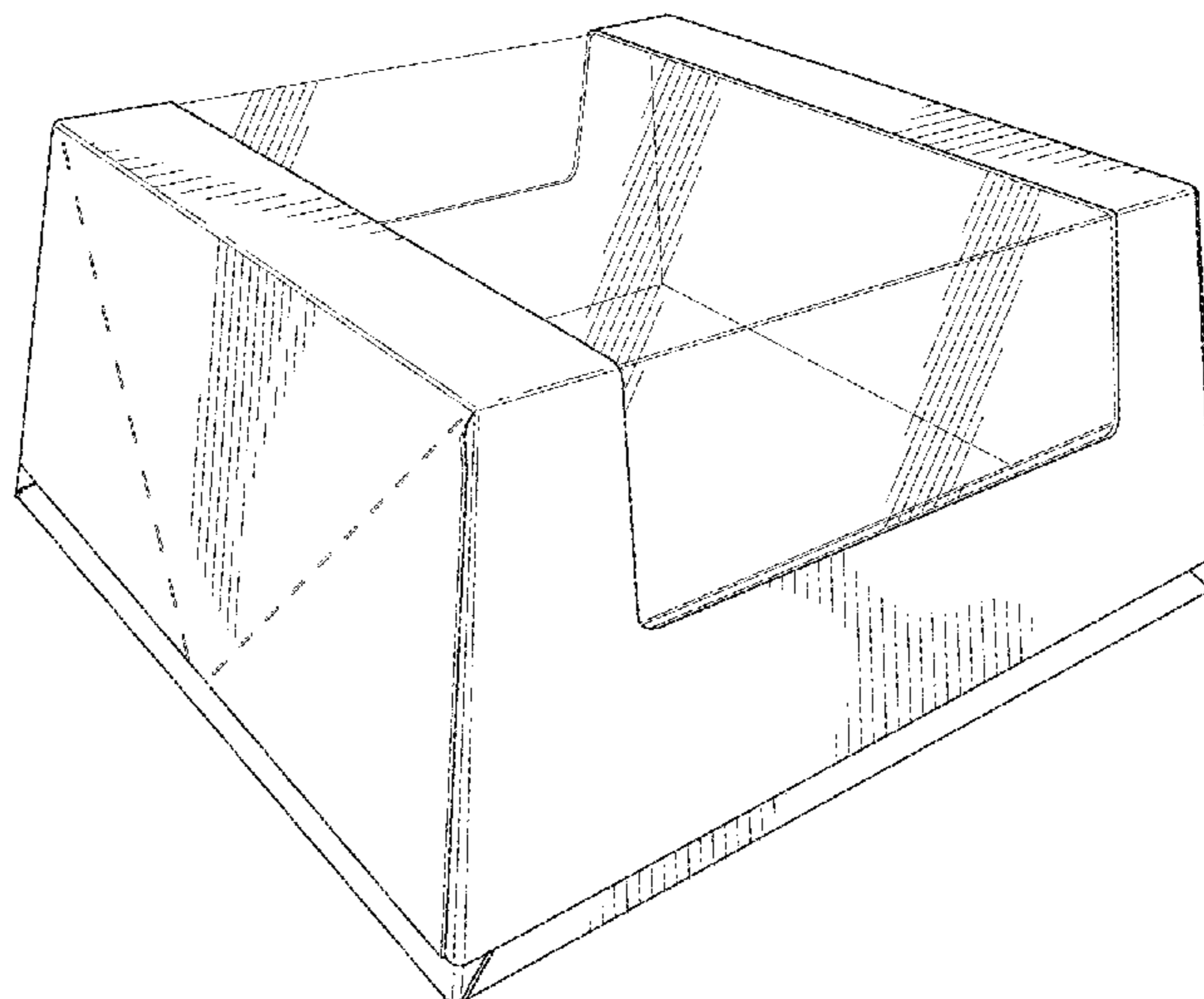
**DESCRIPTION**

FIG. 1 is a perspective view of a closeable container showing a new design;  
FIG. 2 is a front view thereof;  
FIG. 3 is a rear view thereof;  
FIG. 4 is a left side view thereof, the right side being a mirror image;  
FIG. 5 is a top view thereof;  
FIG. 6 is a bottom view thereof;  
FIG. 7 is a perspective view of the closeable container showing the closeable container in an open configuration;  
FIG. 8 is a plan view of the closeable container showing the closeable container in a blank configuration;  
FIG. 9 is a perspective view of a closeable container in accordance with a second embodiment of the invention.  
FIG. 10 is a front view thereof;  
FIG. 11 is a left side view thereof, the right side being a mirror image;  
FIG. 12 is a top view thereof; and,  
FIG. 13 is a plan view of the closeable container showing the closeable container in a blank configuration.  
The broken lines in the drawings are included for the purpose of illustrating perforations and form part of the claimed design.

(56) **References Cited**  
U.S. PATENT DOCUMENTS

D259,253 S	5/1981	Nelson
D291,065 S	7/1987	Pugh
D295,958 S	5/1988	Pugh
4,911,298 A	3/1990	Miyagawa
D309,262 S	7/1990	Coiner
D332,347 S	1/1993	Raadt
D332,744 S	1/1993	McCooley
D333,781 S	3/1993	Kobel
D365,755 S	1/1996	Kanfer et al.
D372,401 S	8/1996	Lillelund et al.
D401,147 S	11/1998	Miller
D415,960 S	11/1999	Majdanski et al.
D464,878 S	10/2002	Thompson
D469,349 S	1/2003	Meeker et al.
D469,692 S	2/2003	Meeker et al.
D485,172 S	1/2004	Defino
D519,366 S	4/2006	Epstein

**1 Claim, 11 Drawing Sheets**



(56)

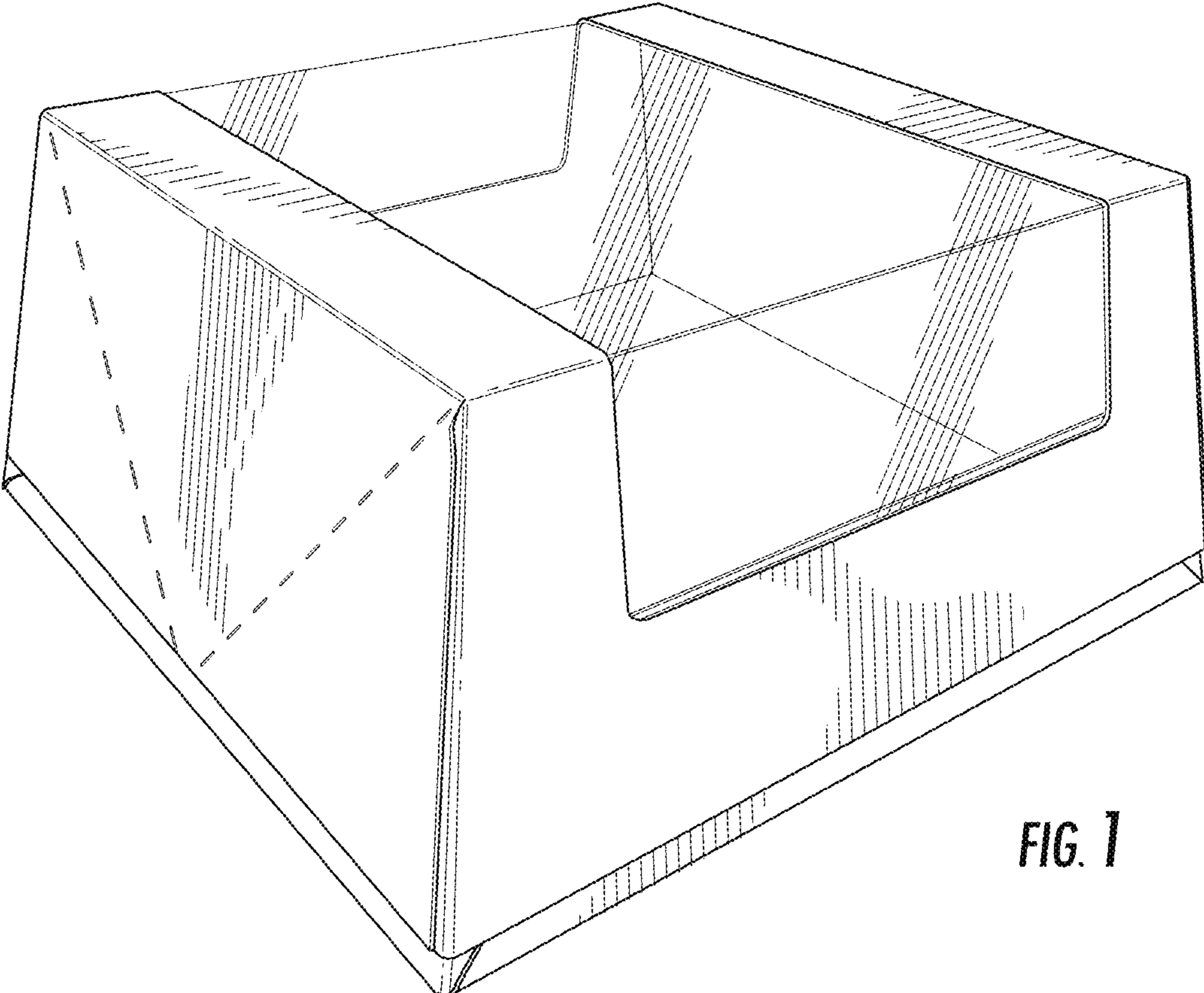
References Cited

U.S. PATENT DOCUMENTS

D587,998 S \* 3/2009 Kaisanlahti ..... D9/433  
 D593,211 S 5/2009 Dewitt  
 D595,104 S 6/2009 Goodrich  
 D602,353 S 10/2009 Anderson et al.  
 D607,987 S 1/2010 Paxton  
 D617,636 S 6/2010 Vanhoutte  
 D618,543 S 6/2010 Polaski  
 7,780,004 B2 8/2010 Carlozzi  
 D623,939 S 9/2010 Tearle  
 D626,831 S 11/2010 Nicholas  
 D636,662 S 4/2011 Ignacio et al.  
 D637,078 S 5/2011 Peng  
 D638,702 S 5/2011 Lowery  
 D644,099 S 8/2011 Martinez Rodriguez  
 D644,508 S 9/2011 Martinez Rodriguez  
 D646,964 S 10/2011 Ampadu  
 D647,398 S 10/2011 Winkler  
 D649,067 S 11/2011 Birdwell et al.  
 D649,886 S 12/2011 Ocampo  
 D651,074 S 12/2011 Lacey  
 D655,153 S 3/2012 Mitten  
 D668,540 S 10/2012 Lutzig  
 D675,092 S 1/2013 Sill  
 D675,920 S \* 2/2013 Sill ..... D9/432  
 D678,779 S 3/2013 Lee  
 D679,950 S 4/2013 Cooper  
 D681,444 S 5/2013 Oja et al.  
 D685,633 S 7/2013 Thomas  
 D688,568 S 8/2013 Noel  
 D693,215 S 11/2013 Sill  
 D693,216 S 11/2013 Sill  
 D693,217 S 11/2013 Sill  
 D693,218 S 11/2013 Sill  
 D695,104 S 12/2013 Sill  
 D696,725 S 12/2013 Sasken-Duff et al.  
 8,607,987 B2 12/2013 Oja et al.  
 D706,132 S 6/2014 Sill  
 D708,511 S 7/2014 Green

D712,275 S 9/2014 Irek  
 D713,716 S 9/2014 Oja et al.  
 D716,649 S 11/2014 McAdam  
 D717,162 S 11/2014 Baker  
 D717,163 S 11/2014 Paulsen  
 D717,645 S 11/2014 Wilmers  
 D719,440 S 12/2014 Matloff  
 D727,732 S 4/2015 Petty  
 D728,357 S 5/2015 Pierce  
 D729,055 S 5/2015 Lemnios et al.  
 D729,058 S 5/2015 Ishikawa  
 D739,228 S 9/2015 Jondal et al.  
 D746,673 S 1/2016 Sanfilippo  
 D746,700 S 1/2016 Boehnen et al.  
 D753,919 S 4/2016 Parker  
 D760,598 S 7/2016 White  
 D762,113 S \* 7/2016 Mayer ..... D9/418  
 D766,108 S 9/2016 Brown  
 D774,891 S \* 12/2016 Mayer ..... D9/418  
 D774,893 S \* 12/2016 Mayer ..... D9/418  
 D774,895 S \* 12/2016 Mayer ..... D9/418  
 D774,896 S \* 12/2016 Mayer ..... D9/418  
 D774,897 S \* 12/2016 Mayer ..... D9/418  
 D774,898 S \* 12/2016 Mayer ..... D9/418  
 D776,522 S \* 1/2017 Mayer ..... D9/418  
 D786,663 S \* 5/2017 Mayer ..... D9/418  
 D787,313 S \* 5/2017 Mayer ..... D9/418  
 D787,314 S \* 5/2017 Sill ..... D9/418  
 D787,315 S \* 5/2017 Sill ..... D9/418  
 D787,316 S \* 5/2017 Sill ..... D9/418  
 D787,929 S \* 5/2017 Sill ..... D9/418  
 D787,933 S \* 5/2017 Sill ..... D9/418  
 2009/0236351 A1 9/2009 Chu et al.  
 2010/0059579 A1 \* 3/2010 House ..... B65D 5/4204  
 229/120  
 2014/0103100 A1 \* 4/2014 Falcon ..... B65D 5/4204  
 229/103.2  
 2015/0344216 A1 12/2015 Petty et al.  
 2016/0362220 A1 \* 12/2016 Kearns ..... B65D 5/4204  
 2017/0066586 A1 \* 3/2017 Petty ..... B65D 85/36

\* cited by examiner



**FIG. 1**

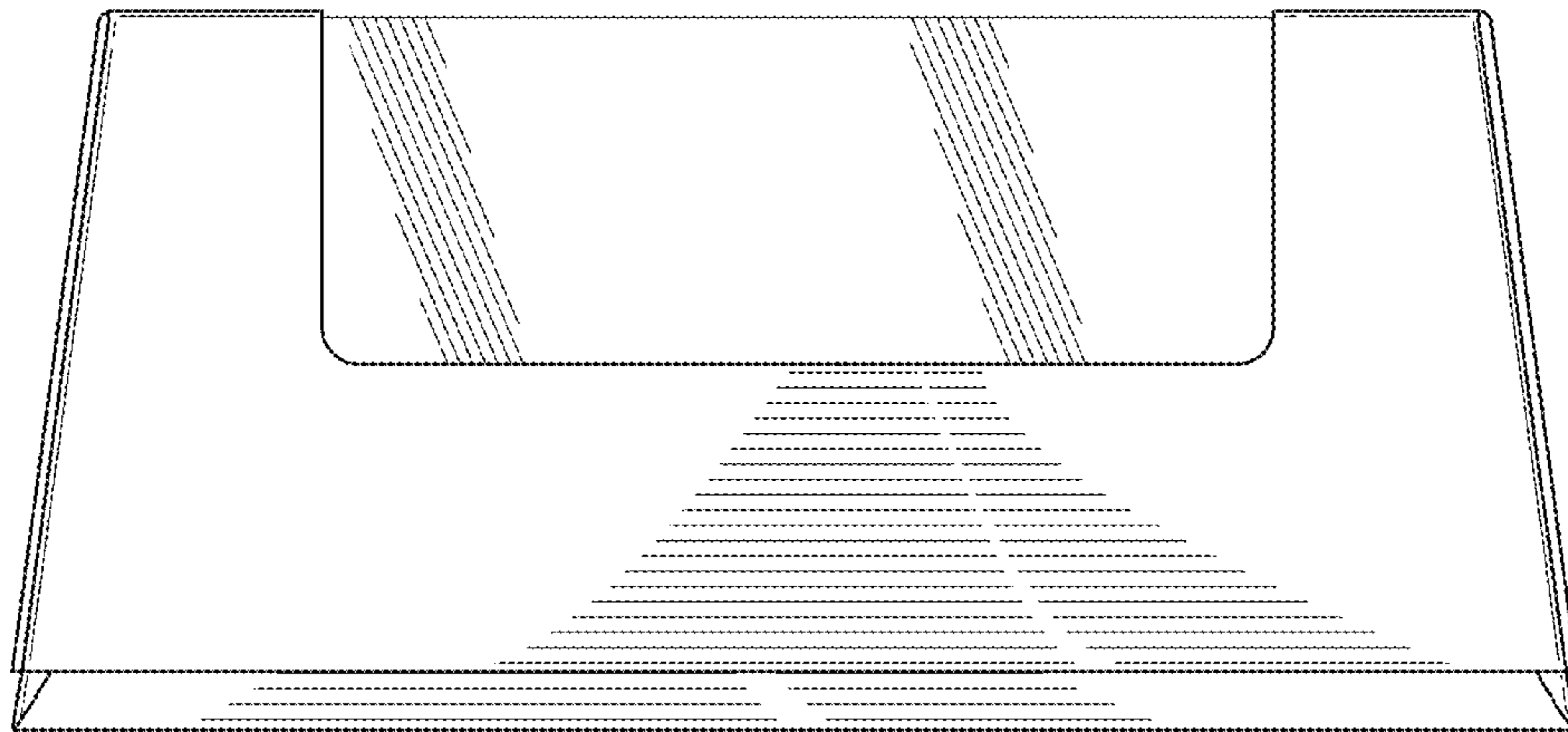


FIG. 2

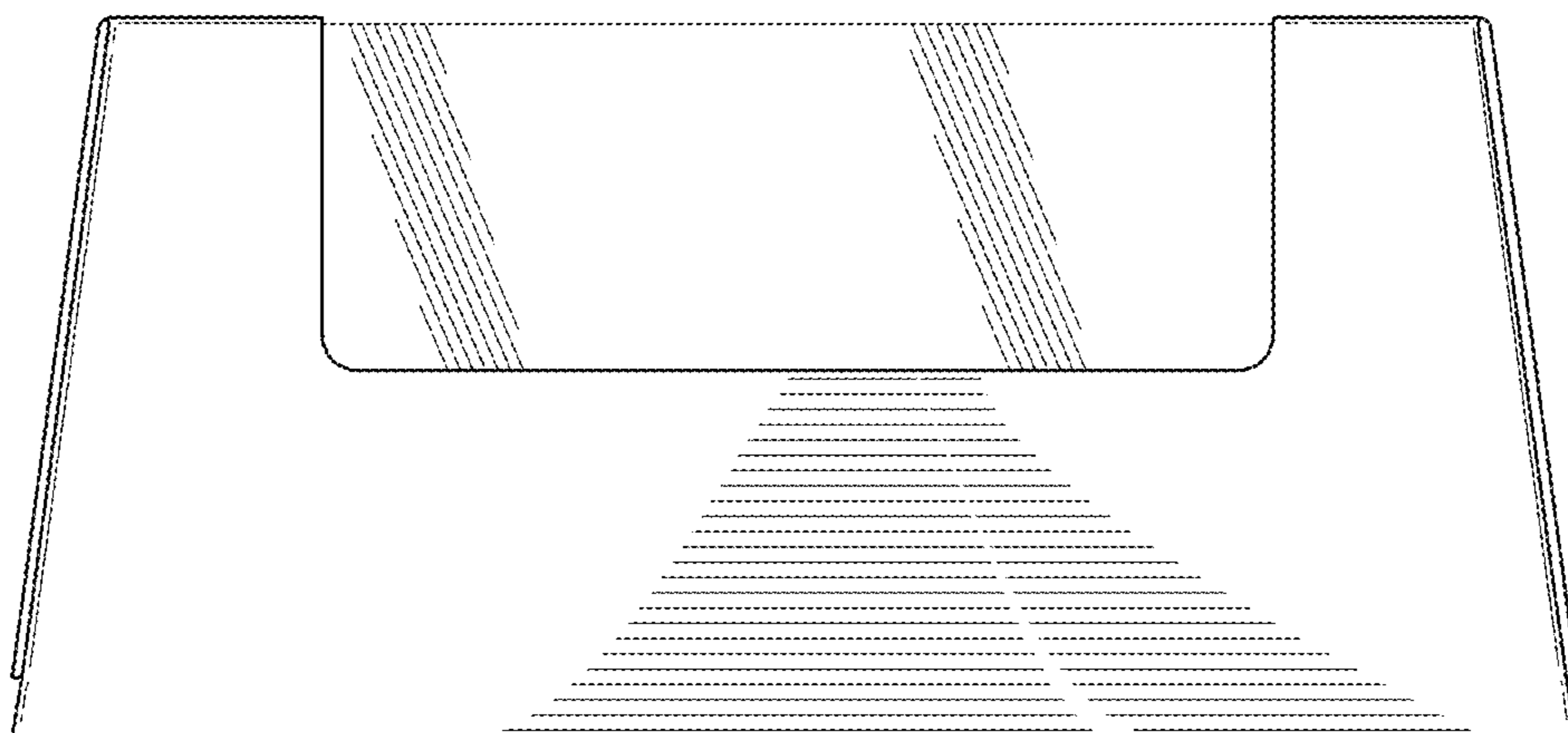


FIG. 3

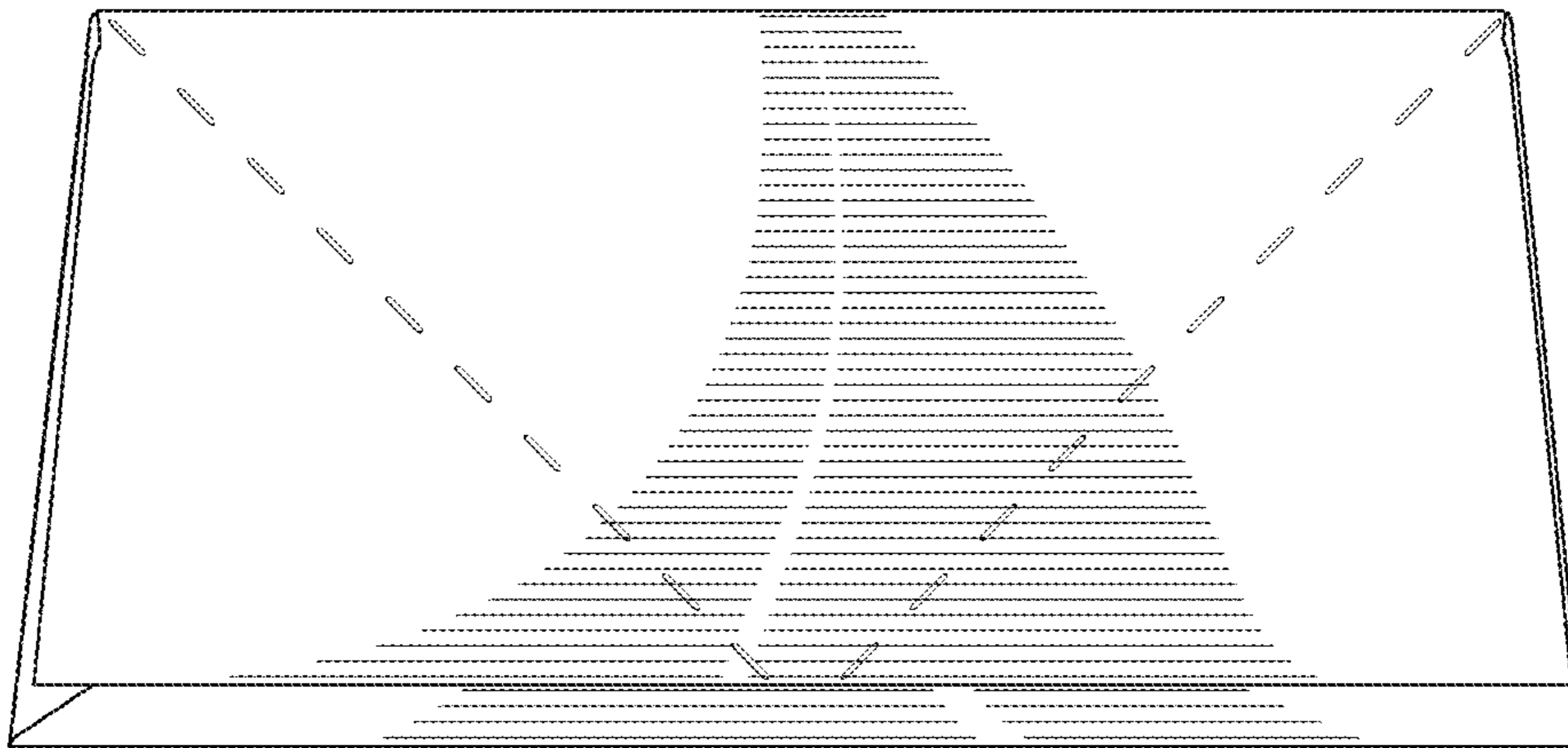


FIG. 4

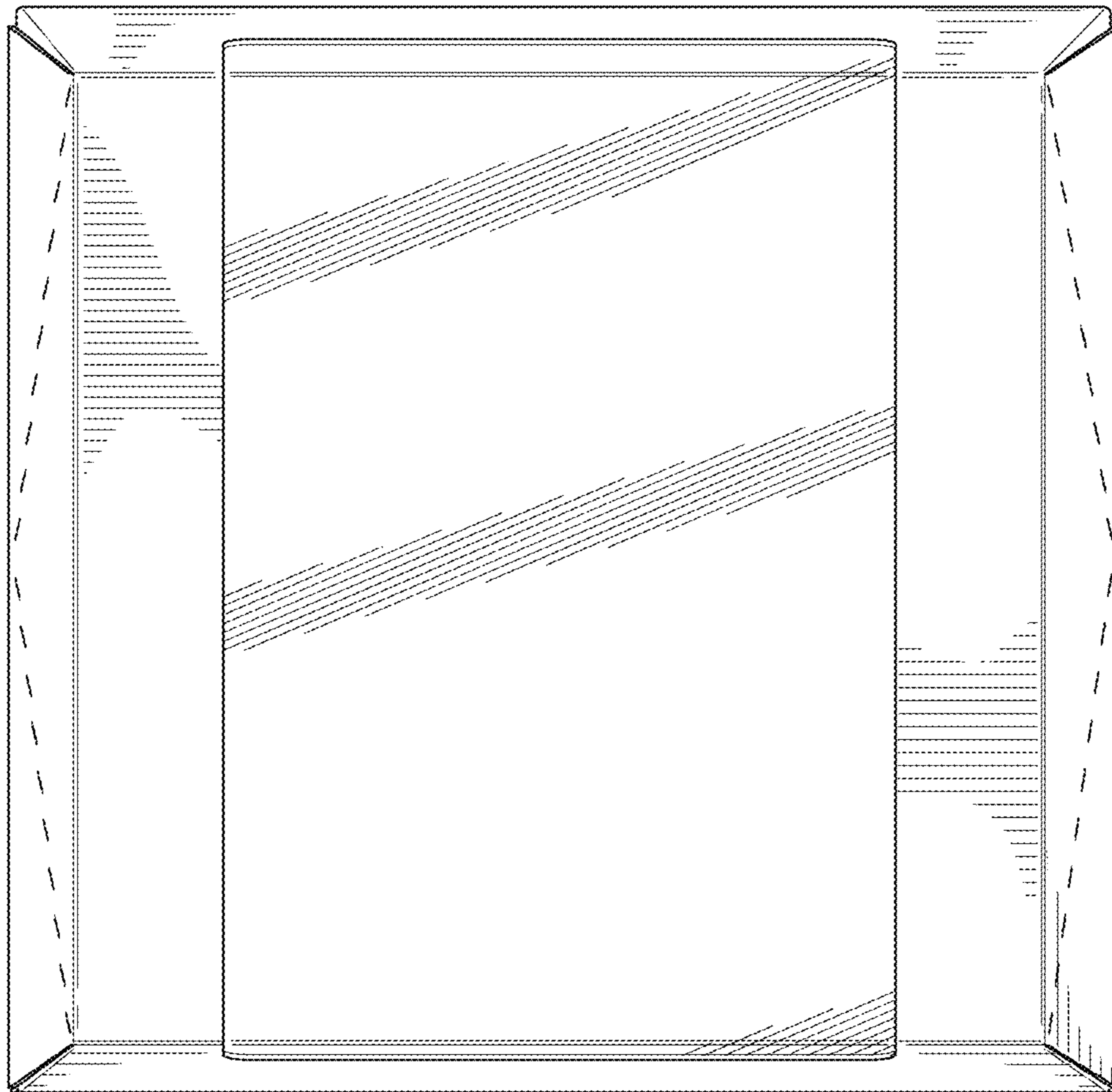
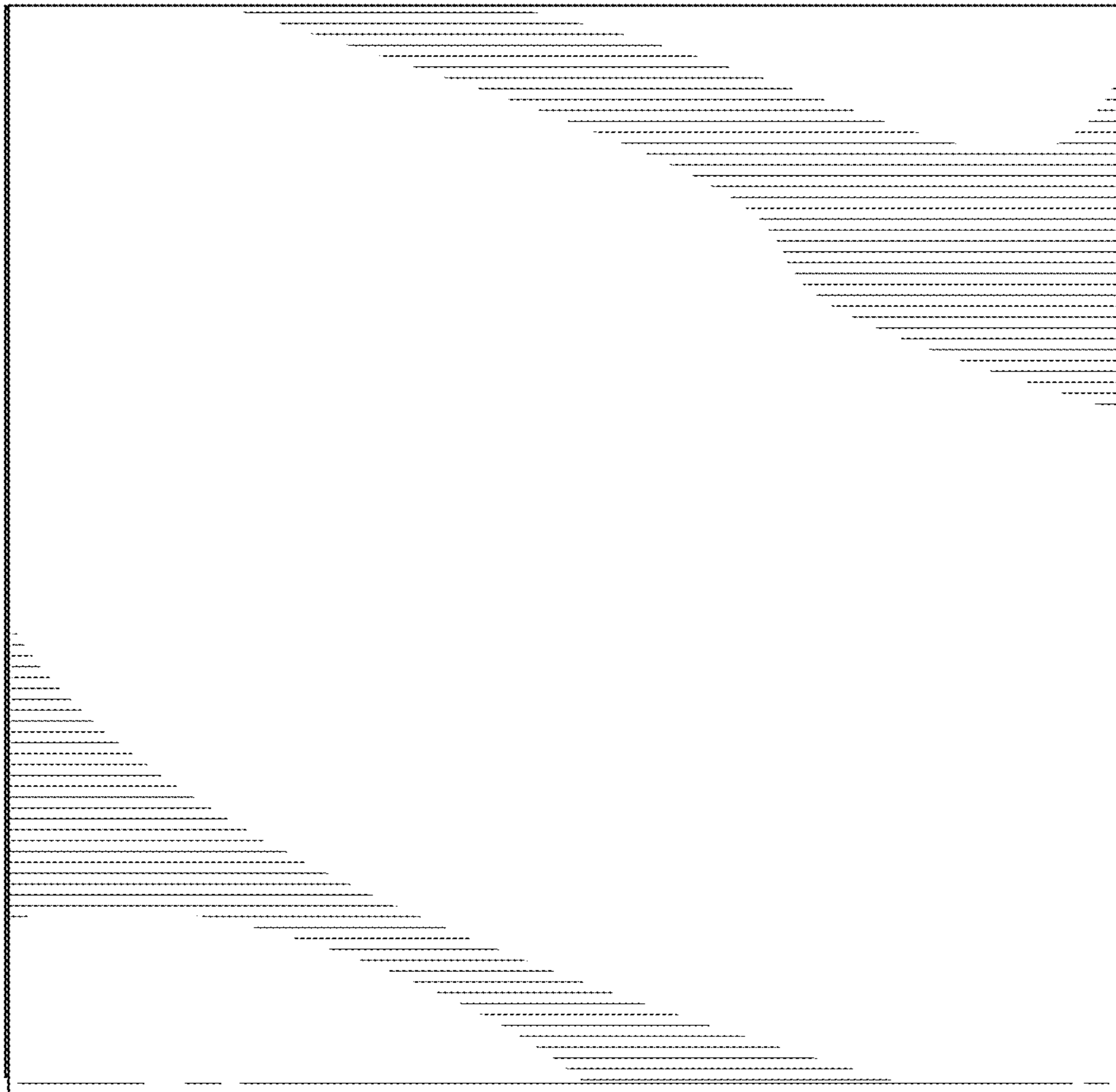


FIG. 5



**FIG. 6**

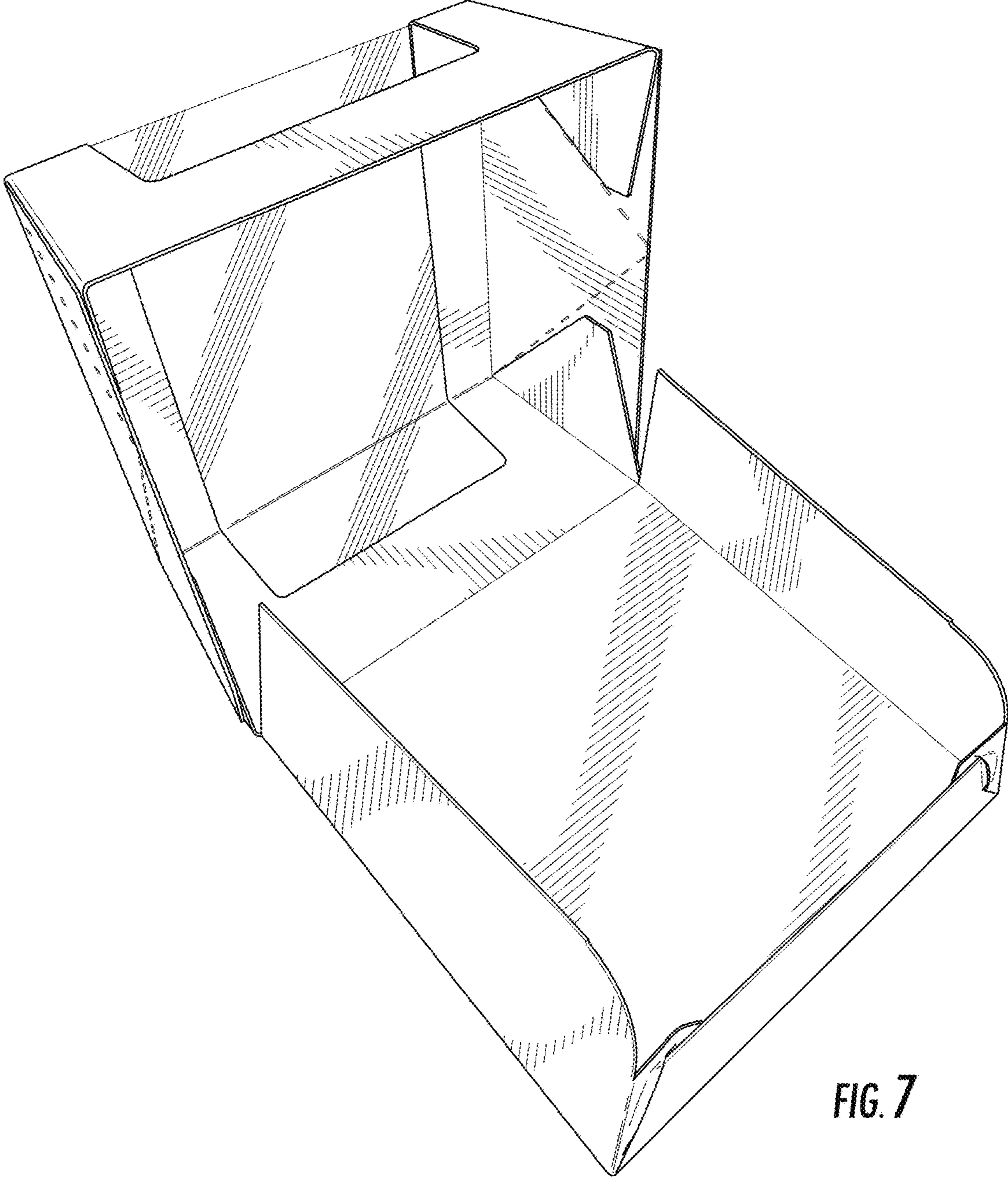


FIG. 7



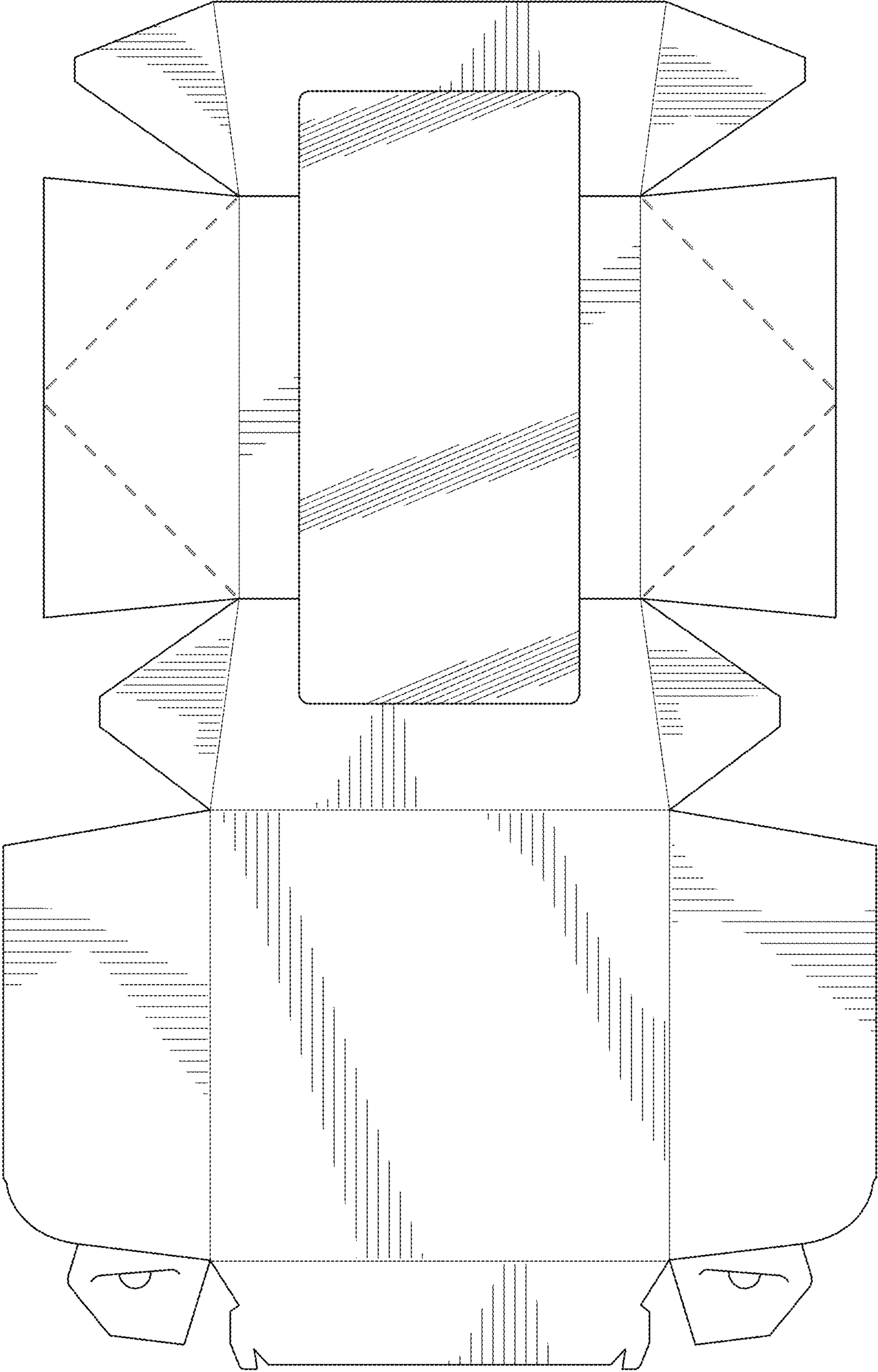


FIG. 8

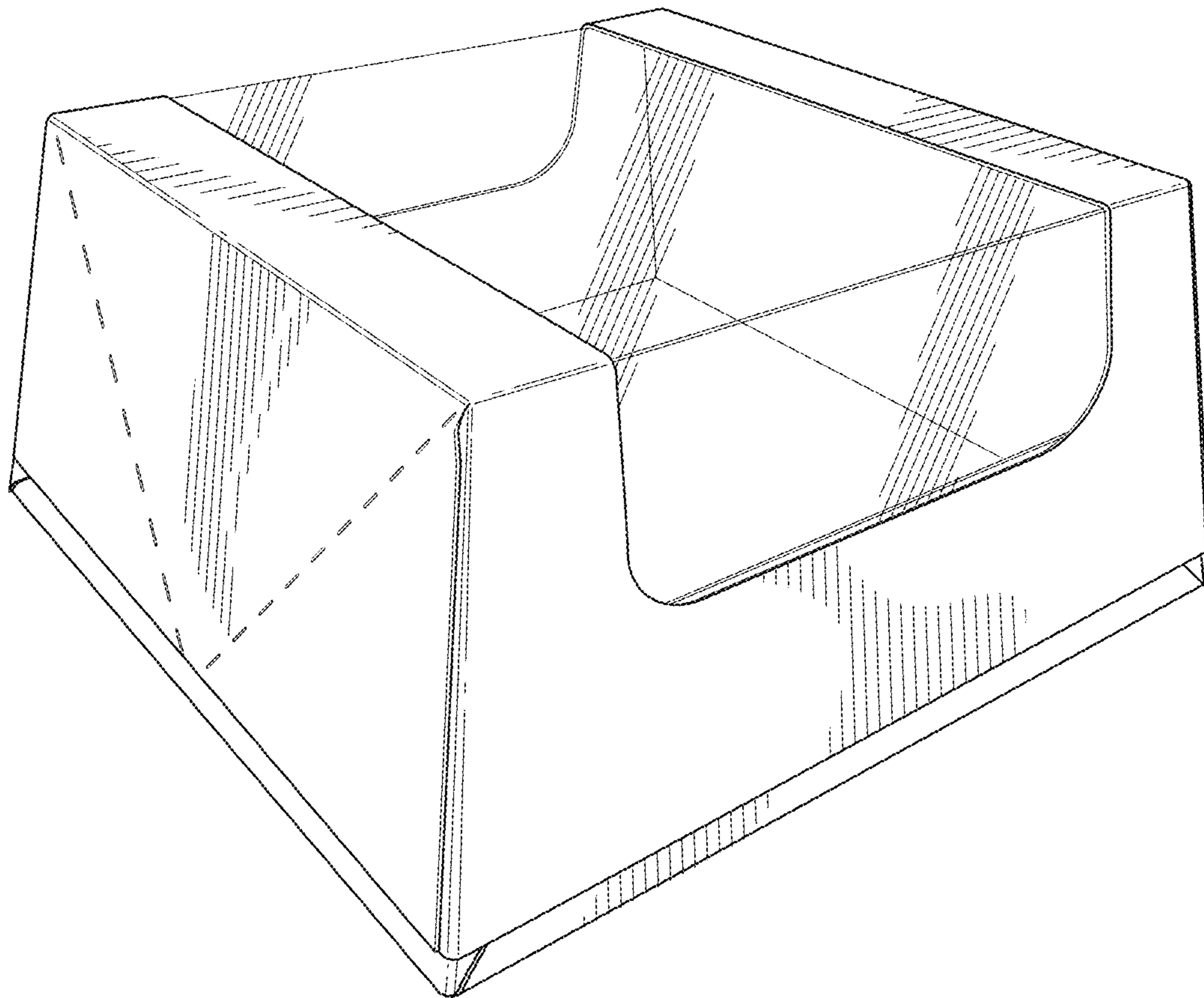
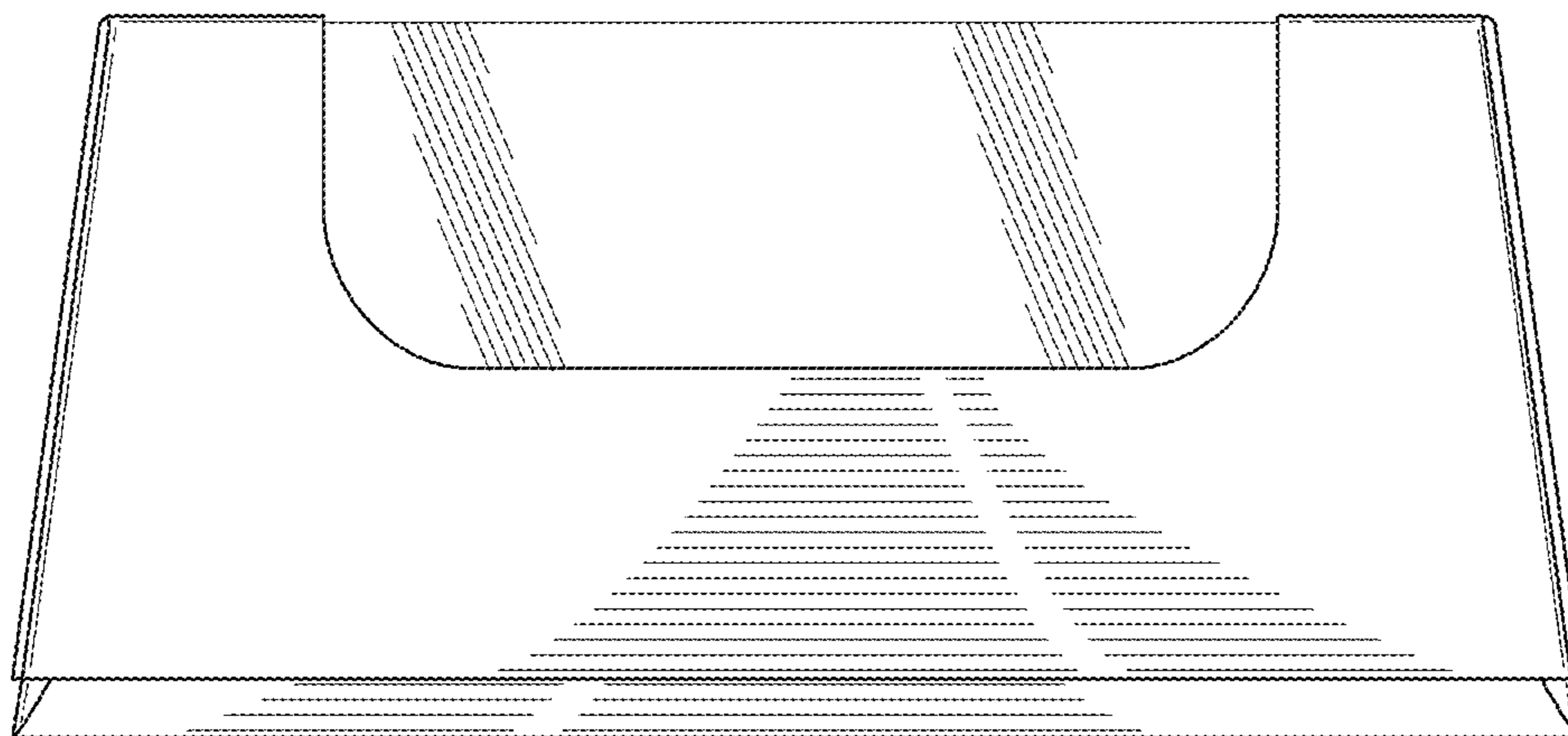
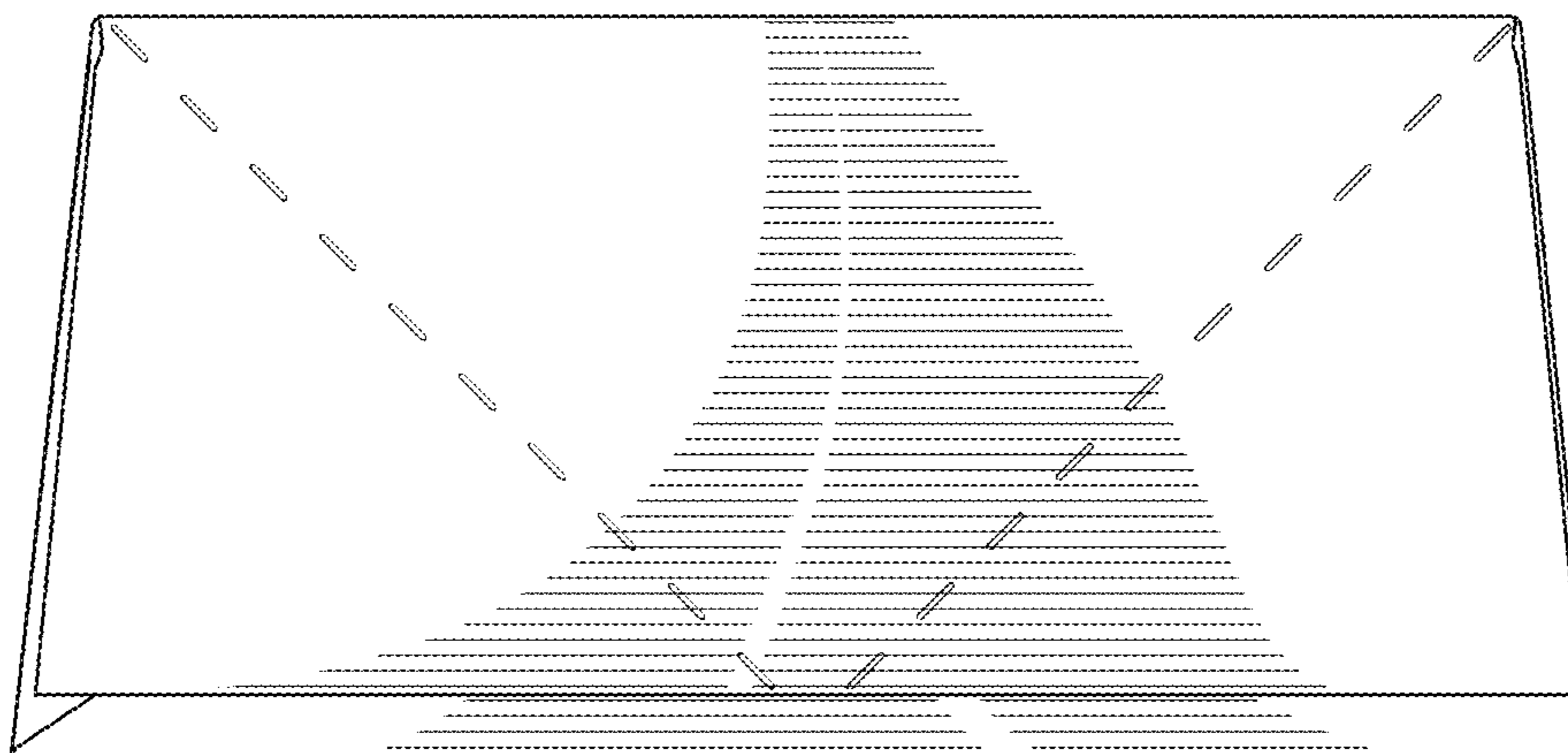


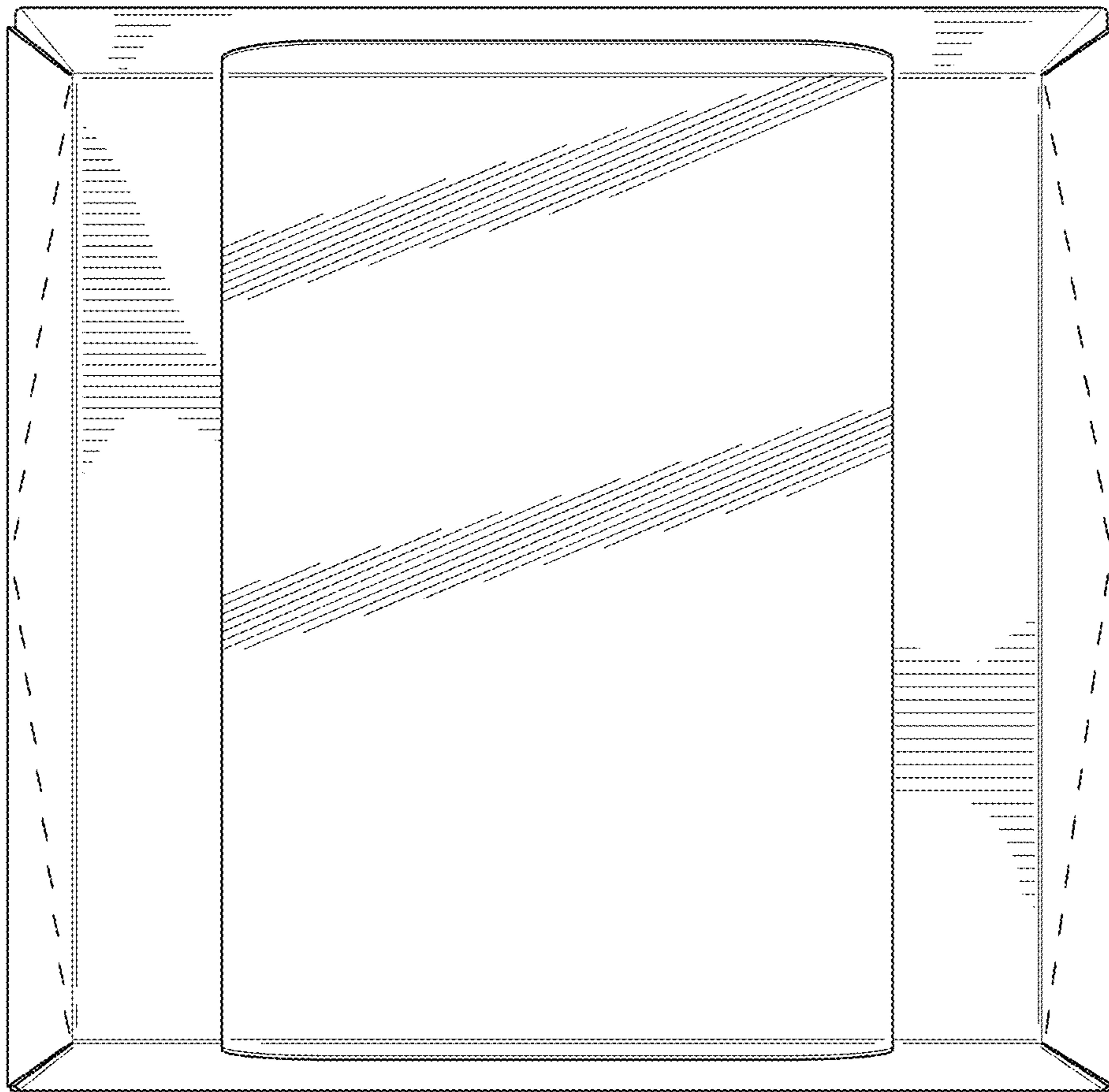
FIG. 9



**FIG. 10**



**FIG. 11**



**FIG. 12**

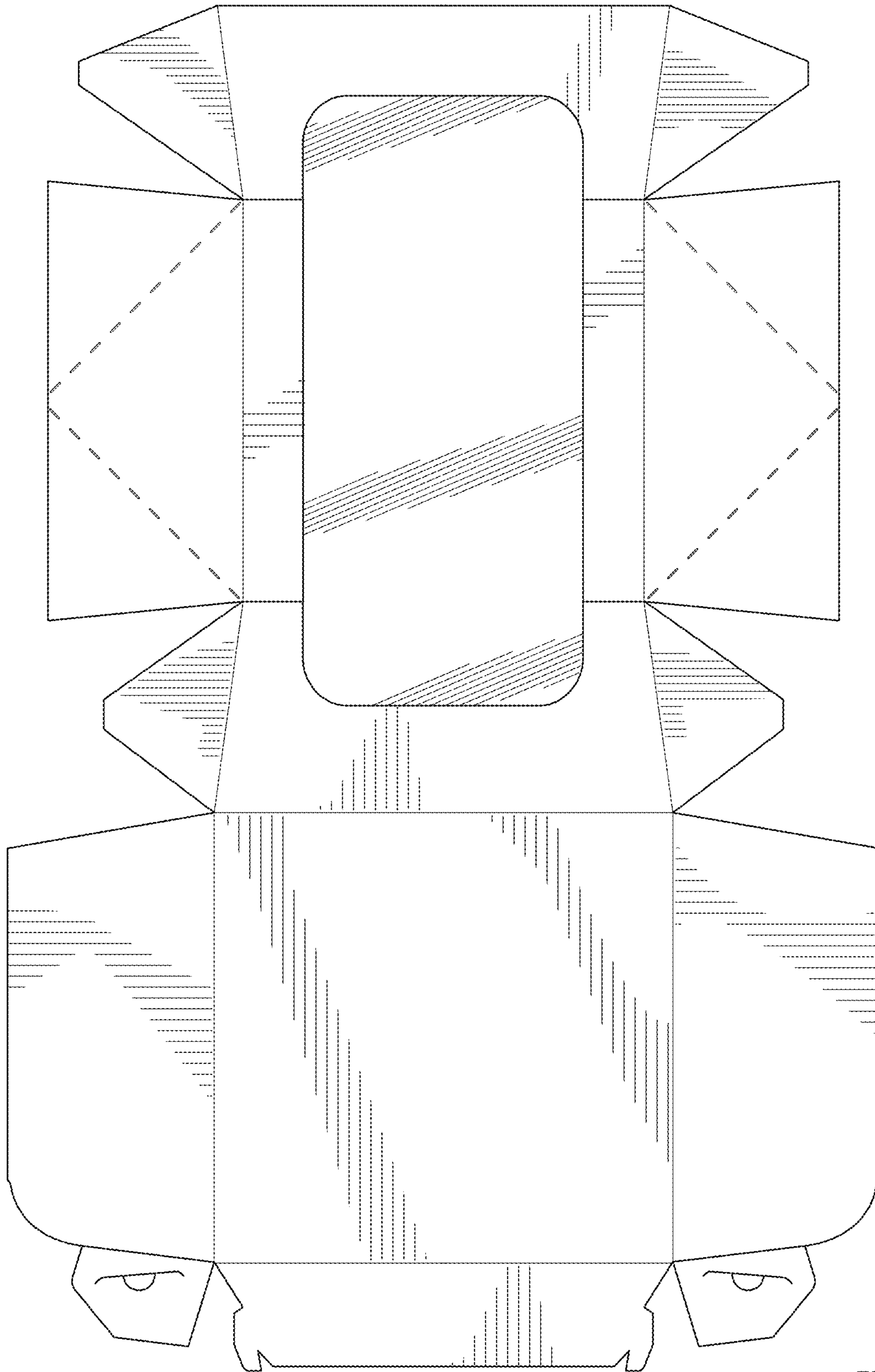


FIG. 13