

US00D800546S

(12) **United States Design Patent** (10) **Patent No.:** **US D800,546 S**
Sill et al. (45) **Date of Patent:** **** Oct. 24, 2017**

(54) **CLOSEABLE CONTAINER**
(71) Applicant: **Inno-Pak, LLC**, Delaware, OH (US)
(72) Inventors: **Jonathan D. Sill**, Powell, OH (US);
Steven A. Mayer, Indianapolis, IN (US)
(73) Assignee: **Inno-Pak, LLC**, Delaware, OH (US)
(**) Term: **15 Years**
(21) Appl. No.: **29/566,225**
(22) Filed: **May 27, 2016**
(51) **LOC (10) Cl.** **09-03**
(52) **U.S. Cl.**
USPC **D9/418**
(58) **Field of Classification Search**
USPC D9/414, 418-422, 431-433, 499;
D7/612; D19/91
CPC B65D 5/4204
See application file for complete search history.

D519,366 S 4/2006 Epstein
D536,245 S 2/2007 Bruun
D536,612 S 2/2007 Geurts et al.
D578,883 S 10/2008 Kisch

(Continued)

Primary Examiner — Wan Laymon
Assistant Examiner — Clint A Samuel
(74) *Attorney, Agent, or Firm* — Ward and Smith, P.A.;
Ryan K. Simmons

(57) **CLAIM**
The ornamental design for a closeable container, as shown and described.

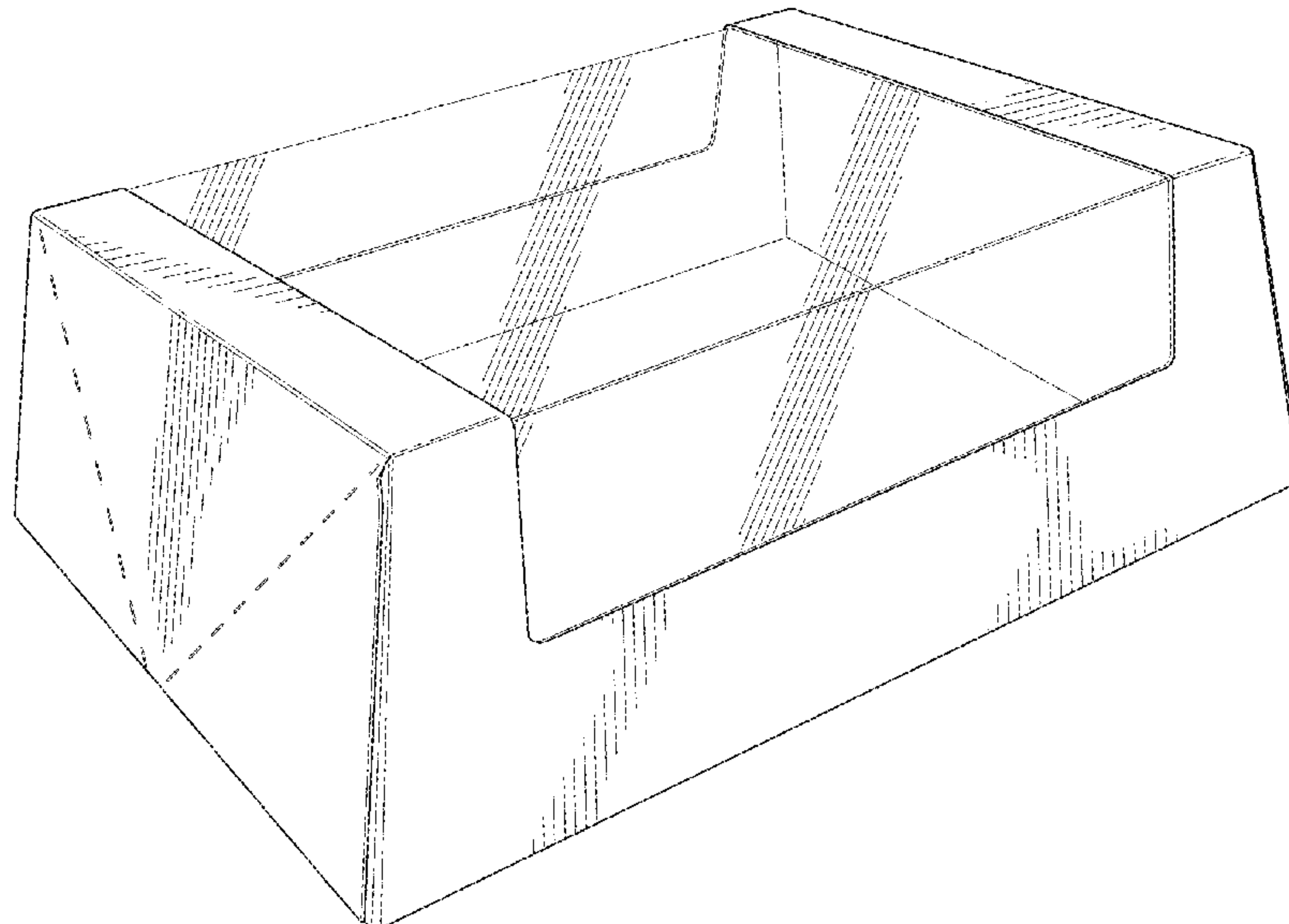
DESCRIPTION

FIG. 1 is a perspective view of a closeable container showing a new design;
FIG. 2 is a front view thereof;
FIG. 3 is a rear view thereof;
FIG. 4 is a left side view thereof, the right side being a mirror image;
FIG. 5 is a top view thereof;
FIG. 6 is a bottom view thereof;
FIG. 7 is a perspective view of the closeable container showing the closeable container in an open configuration;
FIG. 8 is a plan view of the closeable container showing the closeable container in a blank configuration;
FIG. 9 is a perspective view of a closeable container in accordance with a second embodiment of the invention;
FIG. 10 is a front view thereof, the rear being a mirror image;
FIG. 11 is a left side view thereof, the right side being a mirror image;
FIG. 12 is a top view thereof; and,
FIG. 13 is a plan view of the closeable container showing the closeable container in a blank configuration.
The broken lines shown in the figures are included for the purpose of illustrating perforations and forms part of the claimed design.

(56) **References Cited**
U.S. PATENT DOCUMENTS

D259,253 S	5/1981	Nelson
D291,065 S	7/1987	Pugh
D295,958 S	5/1988	Pugh
4,911,298 A	3/1990	Miyagawa
D309,262 S	7/1990	Coiner
D332,347 S	1/1993	Raadt
D332,744 S	1/1993	McCooey
D333,781 S	3/1993	Kobel
D365,755 S	1/1996	Kanfer et al.
D372,401 S	8/1996	Lillelund et al.
D401,147 S	11/1998	Miller
D415,960 S	11/1999	Majdanski et al.
D464,878 S	10/2002	Thompson
D469,349 S	1/2003	Meeker et al.
D469,692 S	2/2003	Meeker et al.
D485,172 S	1/2004	Defino

1 Claim, 11 Drawing Sheets



(56)

References Cited

U.S. PATENT DOCUMENTS

D580,751 S	11/2008	Blick		D712,275 S	9/2014	Irek	
D587,998 S *	3/2009	Kaisanlahti	D9/433	D713,716 S	9/2014	Oja et al.	
D593,211 S	5/2009	Dewitt		D716,649 S	11/2014	McAdam	
D595,104 S	6/2009	Goodrich		D717,162 S	11/2014	Baker	
D602,353 S	10/2009	Anderson et al.		D717,163 S	11/2014	Paulsen	
D607,987 S	1/2010	Paxton		D717,645 S	11/2014	Wilmers	
D617,636 S	6/2010	Vanhoutte		D719,440 S	12/2014	Matloff	
D618,543 S	6/2010	Polaski		D727,732 S	4/2015	Petty	
7,780,004 B2	8/2010	Carlozzi		D728,357 S	5/2015	Pierce	
D623,939 S	9/2010	Tearle		D729,055 S	5/2015	Lemnios et al.	
D626,831 S	11/2010	Nicholas		D729,058 S	5/2015	Ishikawa	
D636,662 S	4/2011	Ignacio et al.		D739,228 S	9/2015	Jondal et al.	
D637,078 S	5/2011	Peng		D746,673 S	1/2016	Sanfilippo	
D638,702 S	5/2011	Lowery		D746,700 S	1/2016	Boehnen et al.	
D644,099 S	8/2011	Martinez Rodriguez		D753,919 S	4/2016	Parker	
D644,508 S	9/2011	Martinez Rodriguez		D760,598 S	7/2016	White	
D646,964 S	10/2011	Ampadu		D762,113 S *	7/2016	Mayer	D9/418
D647,398 S	10/2011	Winkler		D766,108 S	9/2016	Brown	
D649,067 S	11/2011	Birdwell et al.		D774,891 S *	12/2016	Mayer	D9/418
D649,886 S	12/2011	Ocampo		D774,893 S *	12/2016	Mayer	D9/418
D651,074 S	12/2011	Lacey		D774,895 S *	12/2016	Mayer	D9/418
D655,153 S	3/2012	Mitten		D774,896 S *	12/2016	Mayer	D9/418
D668,540 S	10/2012	Lutzig		D774,897 S *	12/2016	Mayer	D9/418
D675,092 S	1/2013	Sill		D774,898 S *	12/2016	Mayer	D9/418
D675,920 S *	2/2013	Sill	D9/432	D776,522 S *	1/2017	Mayer	D9/418
D678,779 S	3/2013	Lee		D786,663 S *	5/2017	Mayer	D9/418
D679,950 S	4/2013	Cooper		D787,313 S *	5/2017	Mayer	D9/418
D681,444 S	5/2013	Oja et al.		D787,314 S *	5/2017	Sill	D9/418
D685,633 S	7/2013	Thomas		D787,315 S *	5/2017	Sill	D9/418
D688,568 S	8/2013	Noel		D787,316 S *	5/2017	Sill	D9/418
D693,215 S	11/2013	Sill		D787,929 S *	5/2017	Sill	D9/418
D693,216 S	11/2013	Sill		D787,933 S *	5/2017	Sill	D9/418
D693,217 S	11/2013	Sill		2009/0236351 A1	9/2009	Chu et al.	
D693,218 S	11/2013	Sill		2010/0059579 A1 *	3/2010	House	B65D 5/4204 229/120
D695,104 S	12/2013	Sill		2014/0103100 A1 *	4/2014	Falcon	B65D 5/4204 229/103.2
D696,725 S	12/2013	Sasken-Duff et al.		2015/0344216 A1	12/2015	Petty et al.	
8,607,987 B2	12/2013	Oja et al.		2016/0362220 A1 *	12/2016	Kearns	B65D 5/4204
D706,132 S	6/2014	Sill		2017/0066586 A1 *	3/2017	Petty	B65D 85/36
D708,511 S	7/2014	Green					

* cited by examiner

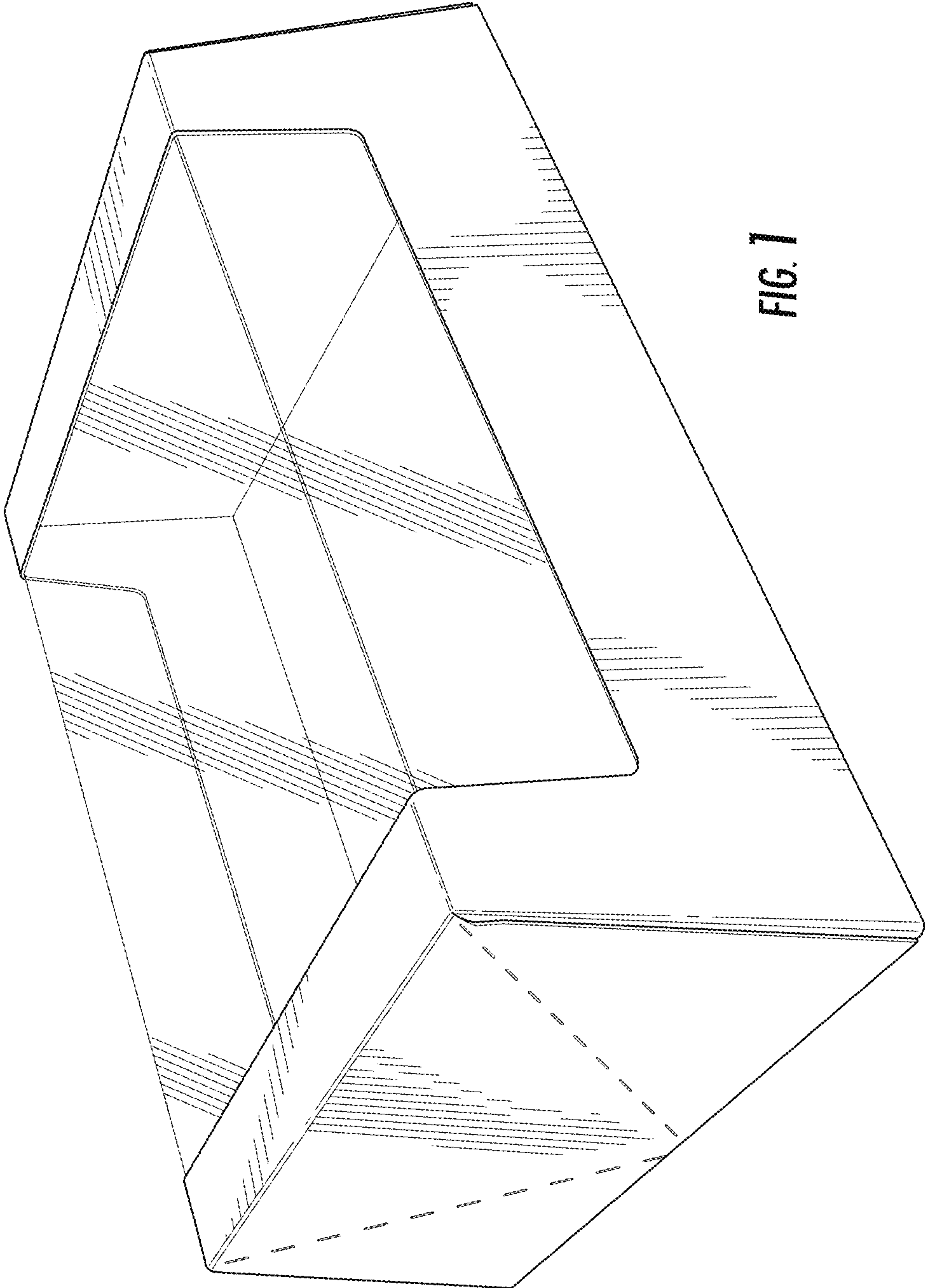


FIG. 1

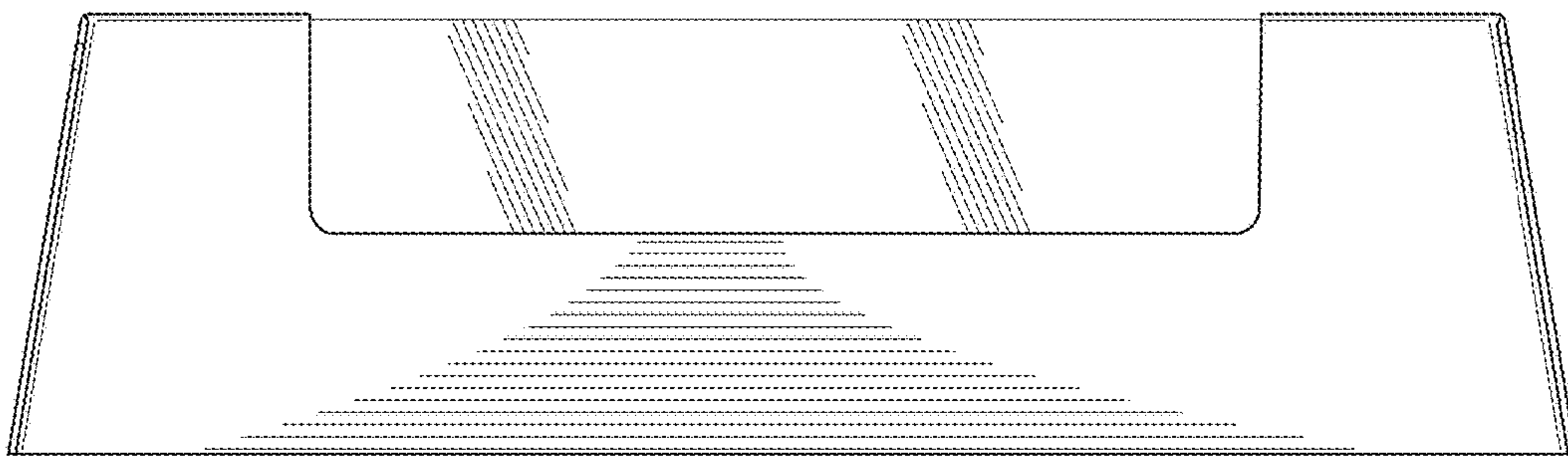


FIG. 2

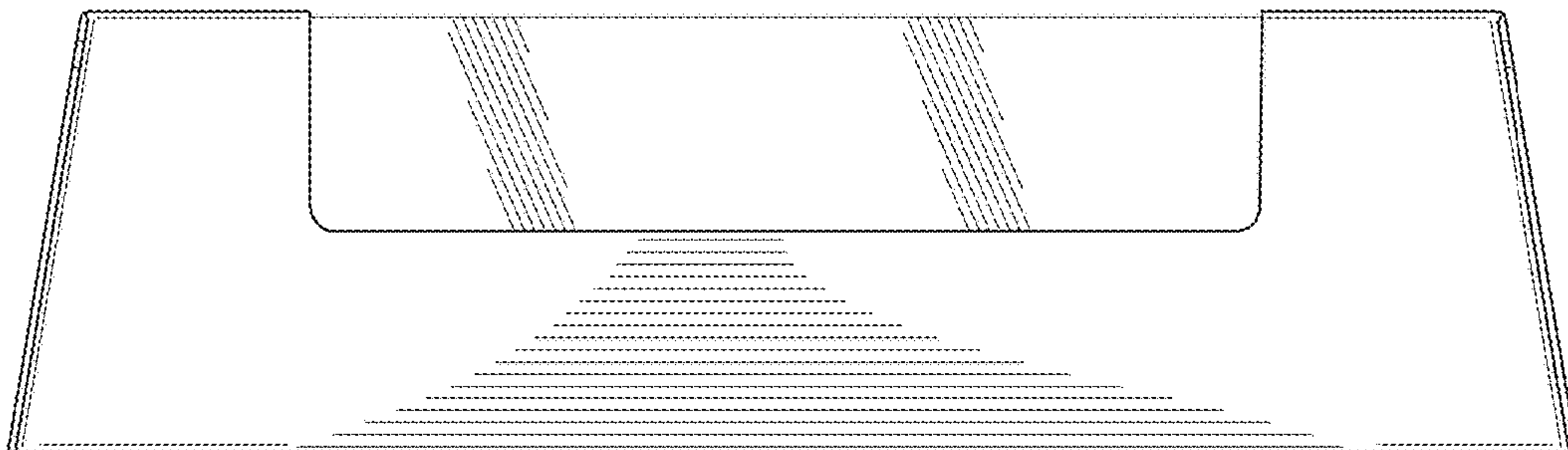


FIG. 3

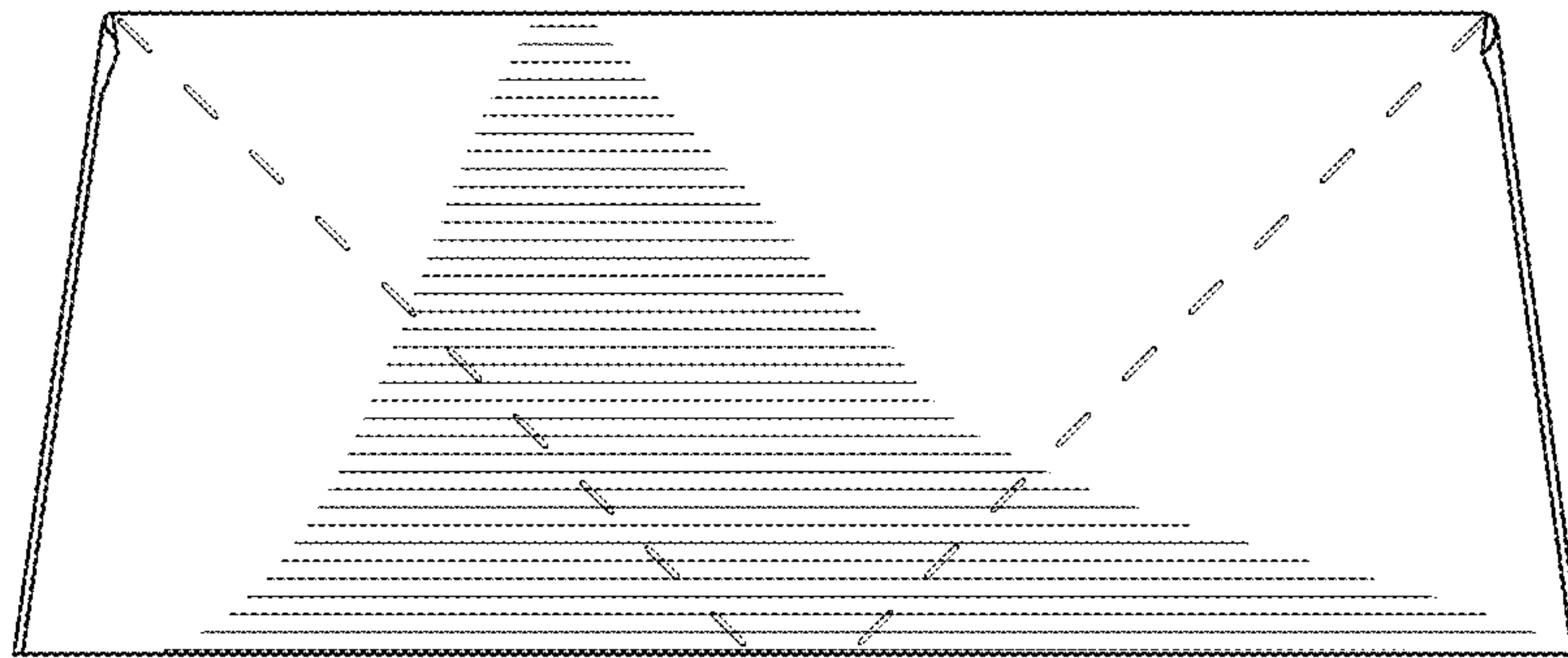


FIG. 4

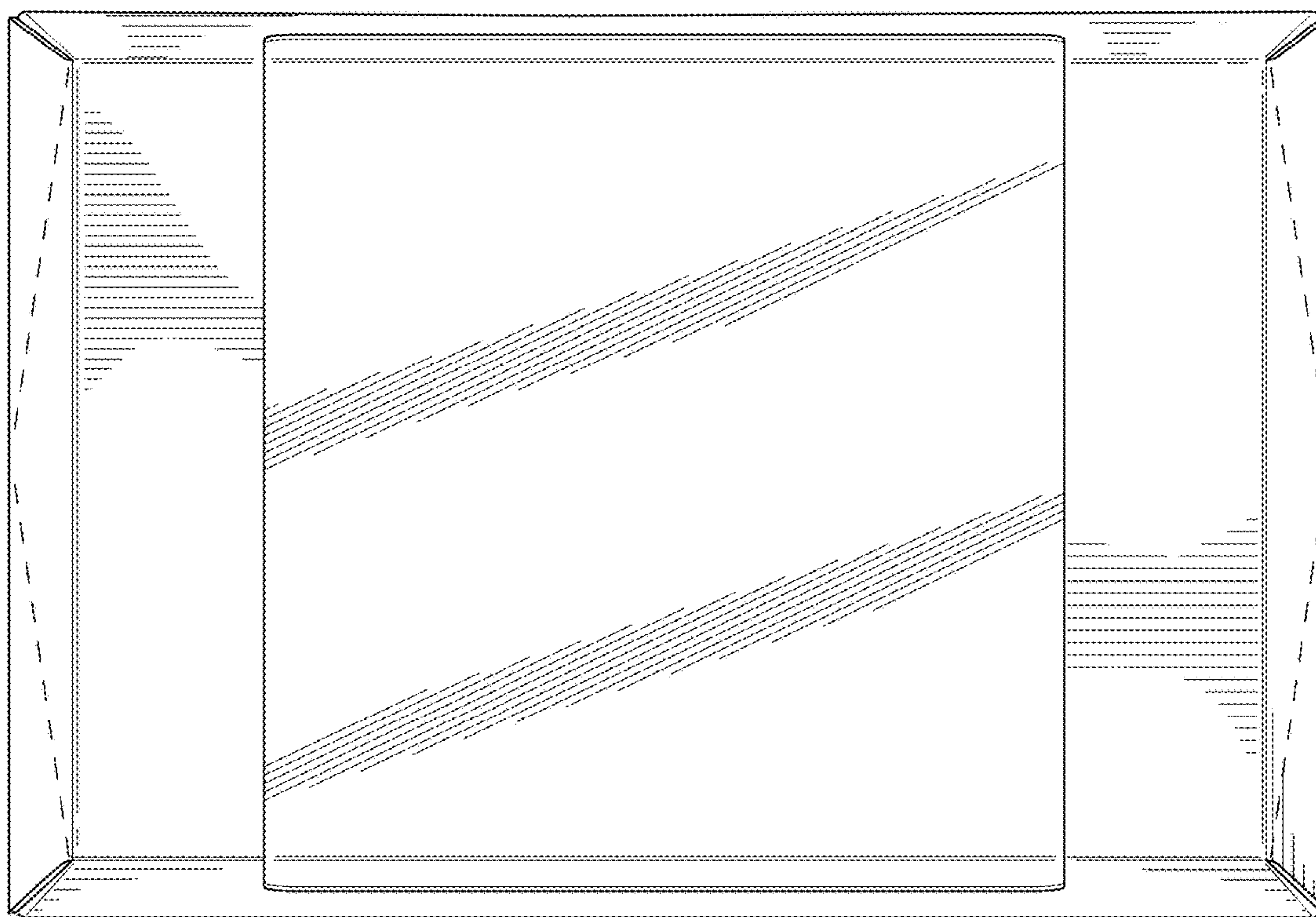


FIG. 5

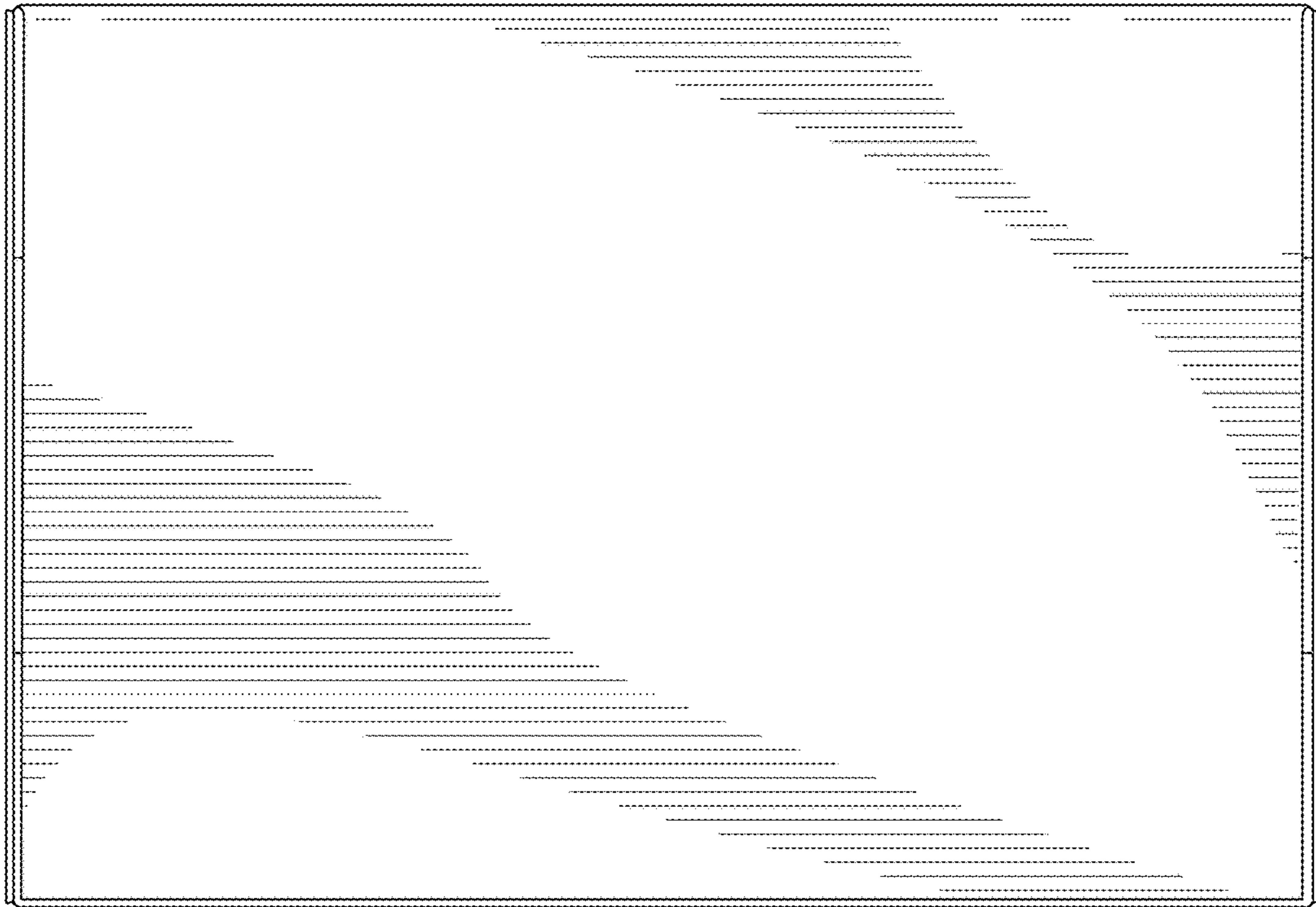


FIG. 6

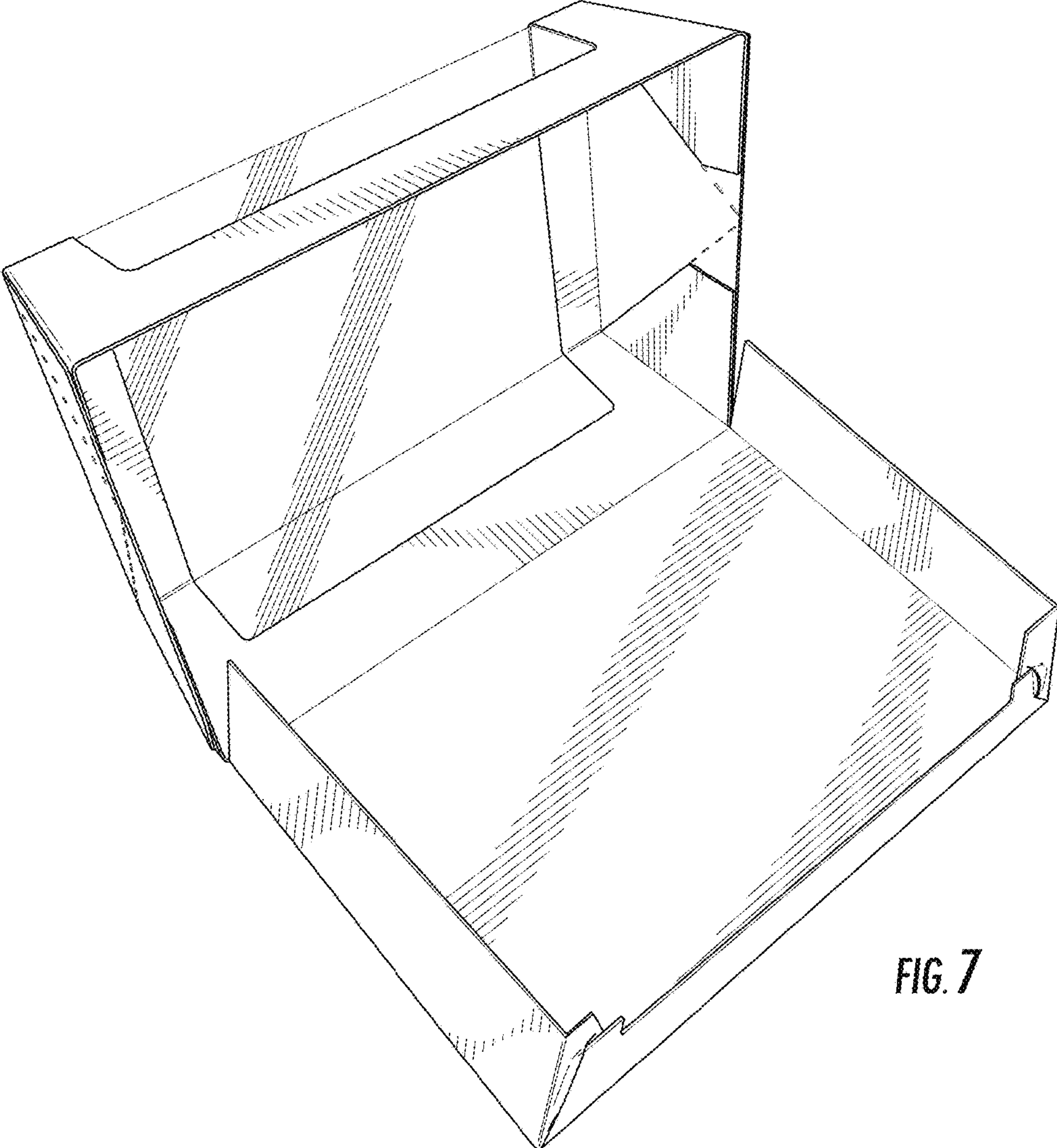


FIG. 7

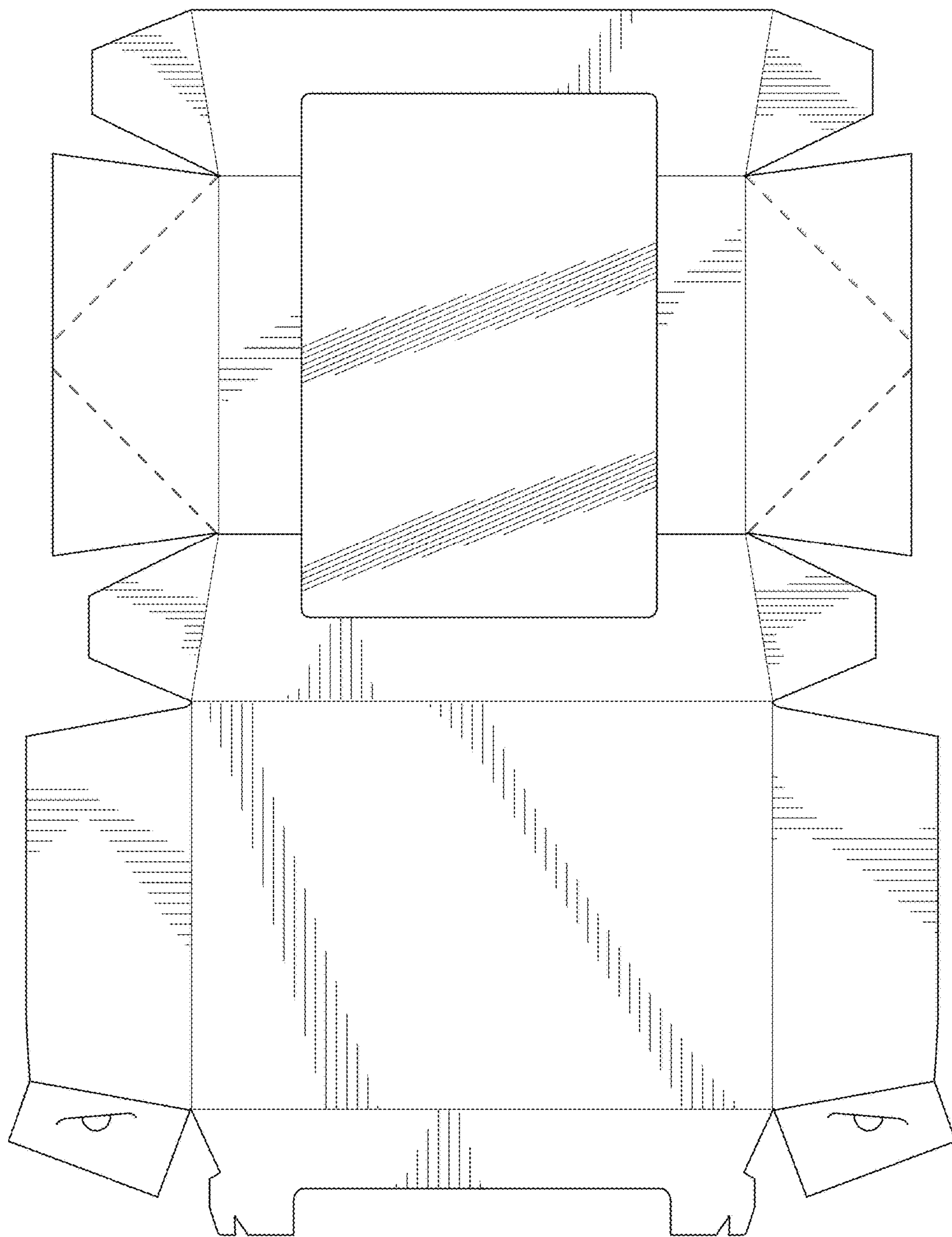


FIG. 8

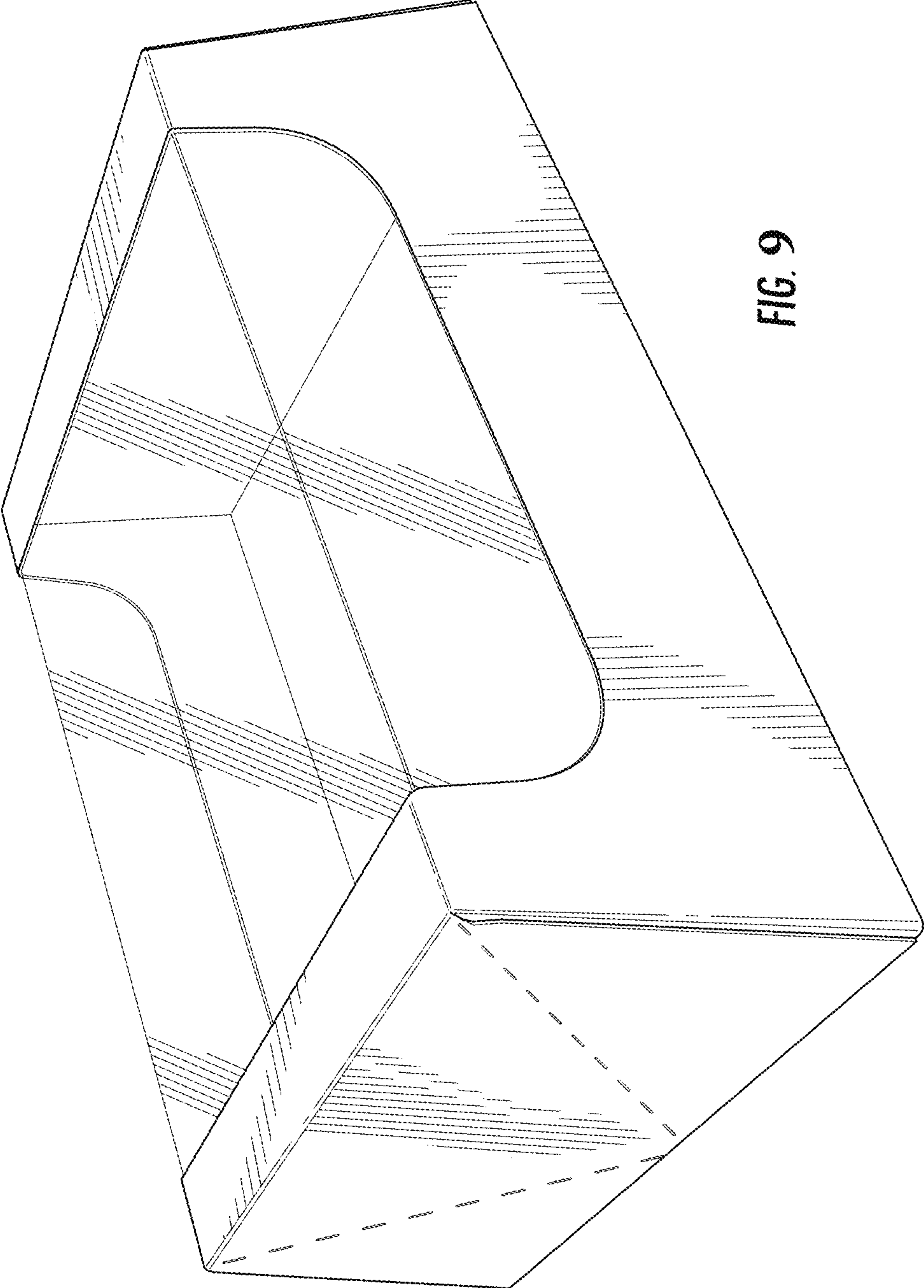


FIG. 9

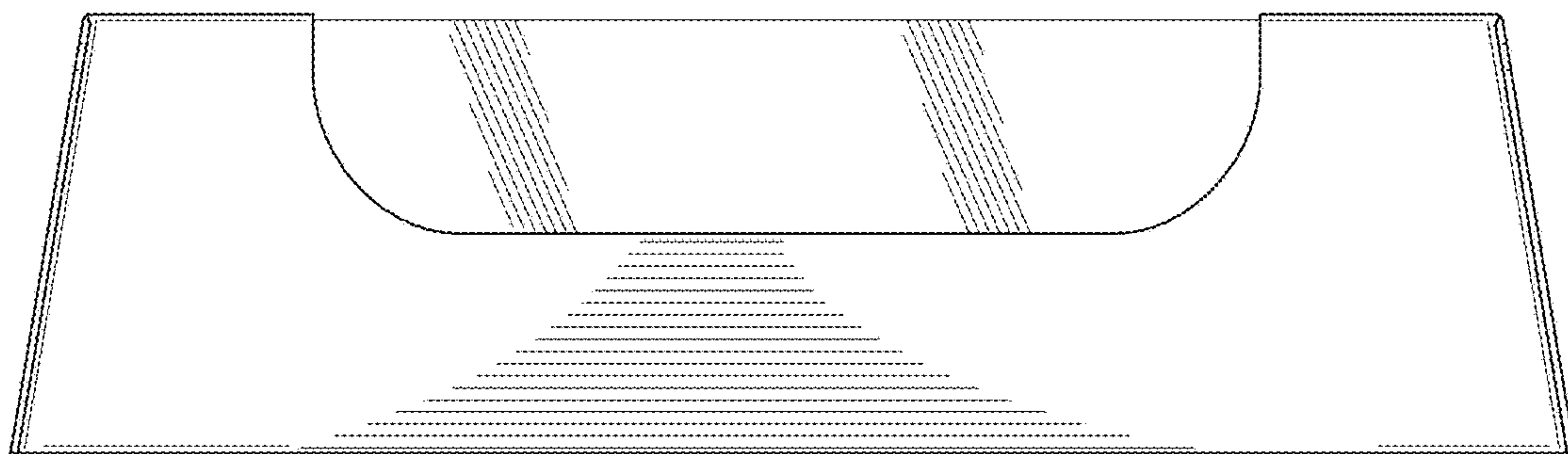


FIG. 10

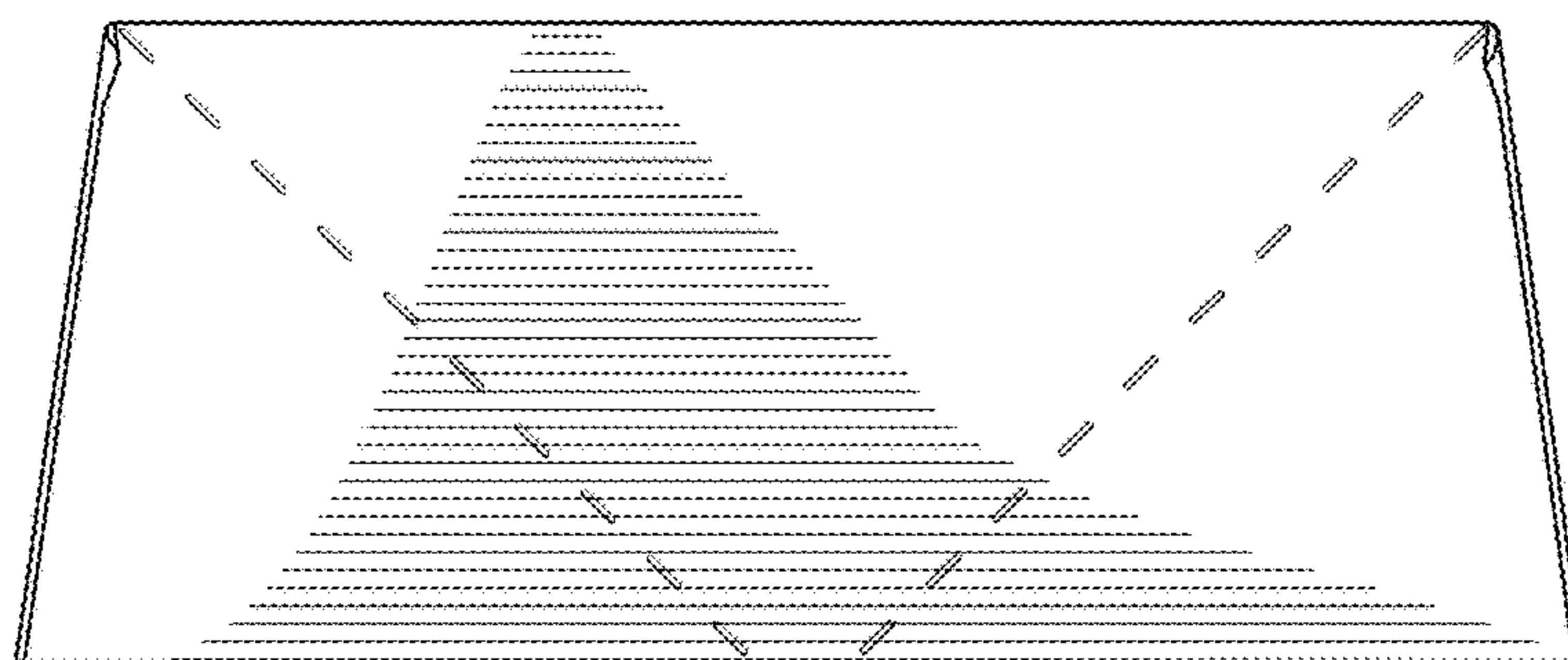


FIG. 11

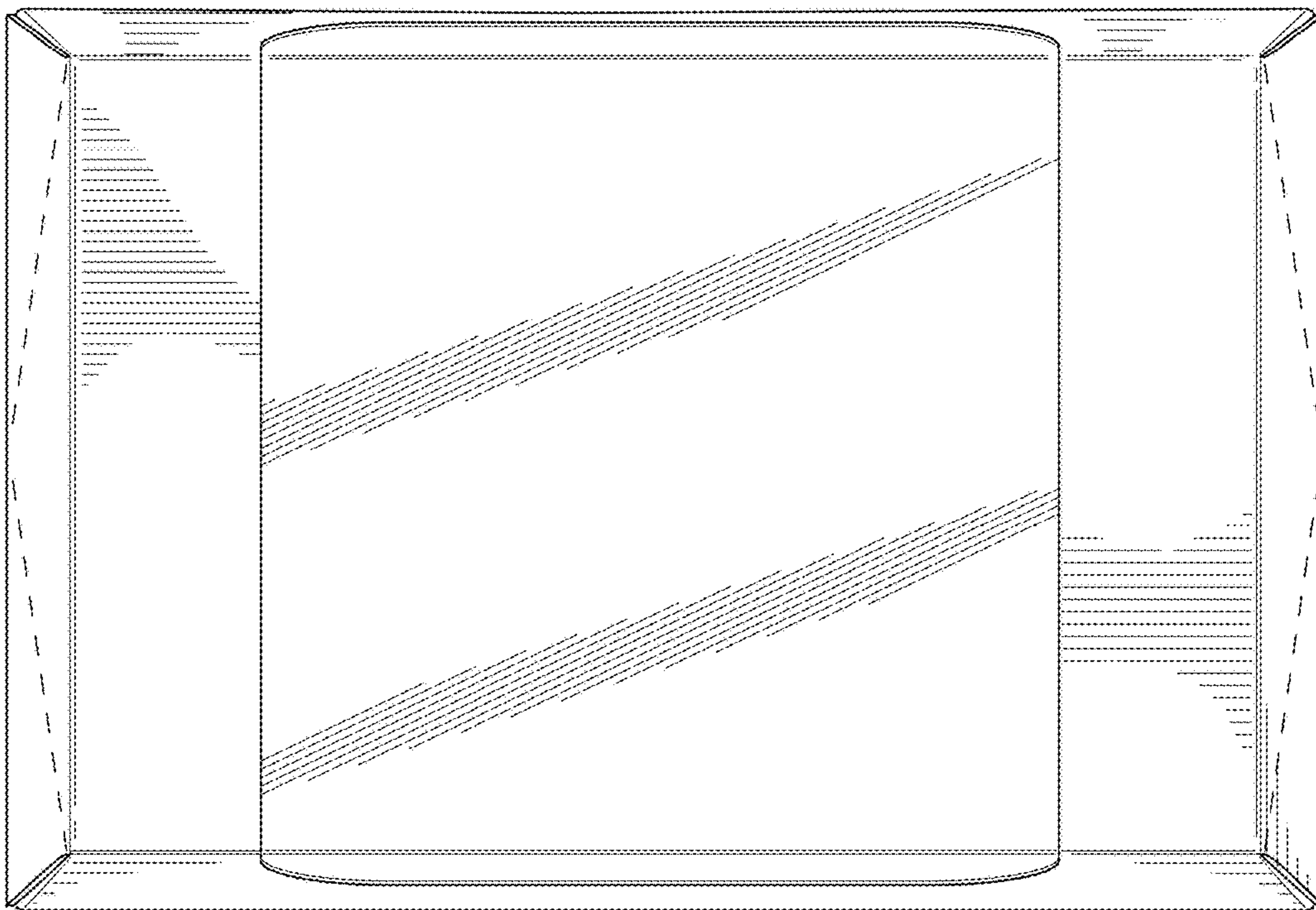


FIG. 12

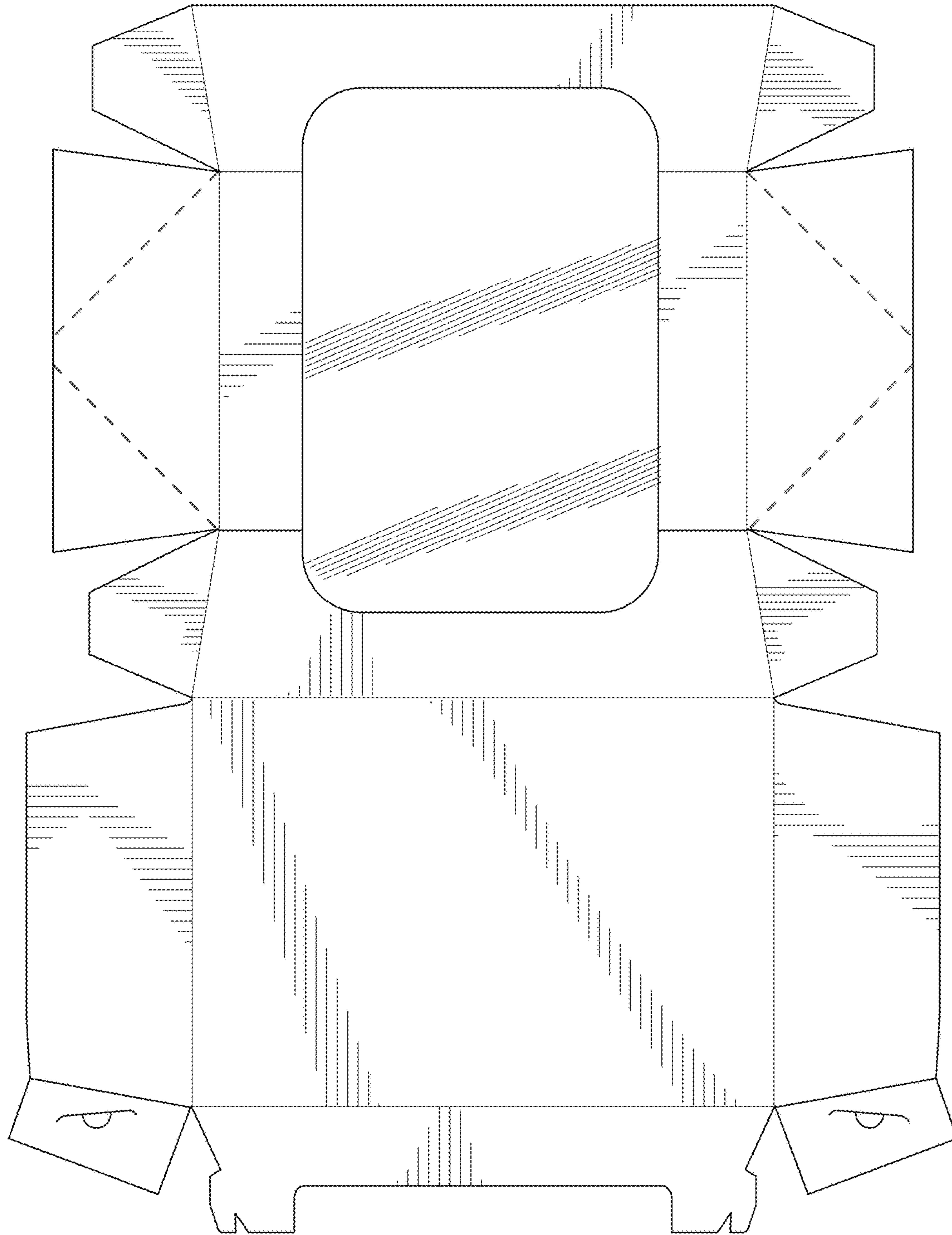


FIG. 13