



US00D800543S

(12) **United States Design Patent** (10) **Patent No.:** **US D800,543 S**
Mangeri (45) **Date of Patent:** **** Oct. 24, 2017**

(54) **PAINT ROLLER HOOK** 6,540,750 B2 * 4/2003 Burkhart A61B 17/0401
606/232
(71) Applicant: **Sal Camillo Mangeri**, Winchester, VA D484,027 S * 12/2003 Clucas D8/368
(US) D625,171 S * 10/2010 Kiely D8/356
D635,843 S * 4/2011 McDuff D8/367
(72) Inventor: **Sal Camillo Mangeri**, Winchester, VA D649,436 S * 11/2011 McDuff D8/367
(US) D686,060 S * 7/2013 Colledge D8/367
9,394,932 B2 * 7/2016 McDuff F16B 13/003
2008/0253860 A1 * 10/2008 McDuff F16B 13/003
411/344

(**) Term: **15 Years**

(21) Appl. No.: **29/582,522**

(22) Filed: **Oct. 28, 2016**

(51) **LOC (10) Cl.** **08-05**

(52) **U.S. Cl.**
USPC **D8/367**

(58) **Field of Classification Search**
USPC D8/367, 354, 349, 394, 372, 398, 382,
D8/356; D3/228; 224/247, 197;
248/220.43, 220.42; D13/156
CPC F16L 3/13; F16L 3/26; A47G 23/0225;
A47G 25/06; A47G 1/16; A47F 5/0846;
A47F 5/02; A47F 5/0823; H02G 11/003;
D06F 55/00; E04H 17/10; A45F 5/02;
F16B 45/02

See application file for complete search history.

(56) **References Cited**

U.S. PATENT DOCUMENTS

D309,379 S 7/1990 Dawes
D341,256 S 11/1993 Brazis et al.
D348,604 S * 7/1994 Hannerstig D8/368
D352,832 S 11/1994 Brazis et al.
D409,082 S * 5/1999 Donahue D8/367
6,361,258 B1 * 3/2002 Heesch F16B 23/0084
411/178
D457,419 S * 5/2002 McSherry D8/367

* cited by examiner

Primary Examiner — Cynthia Underwood
(74) *Attorney, Agent, or Firm* — Dunlap Bennett &
Ludwig PLLC; Brendan E. Squire

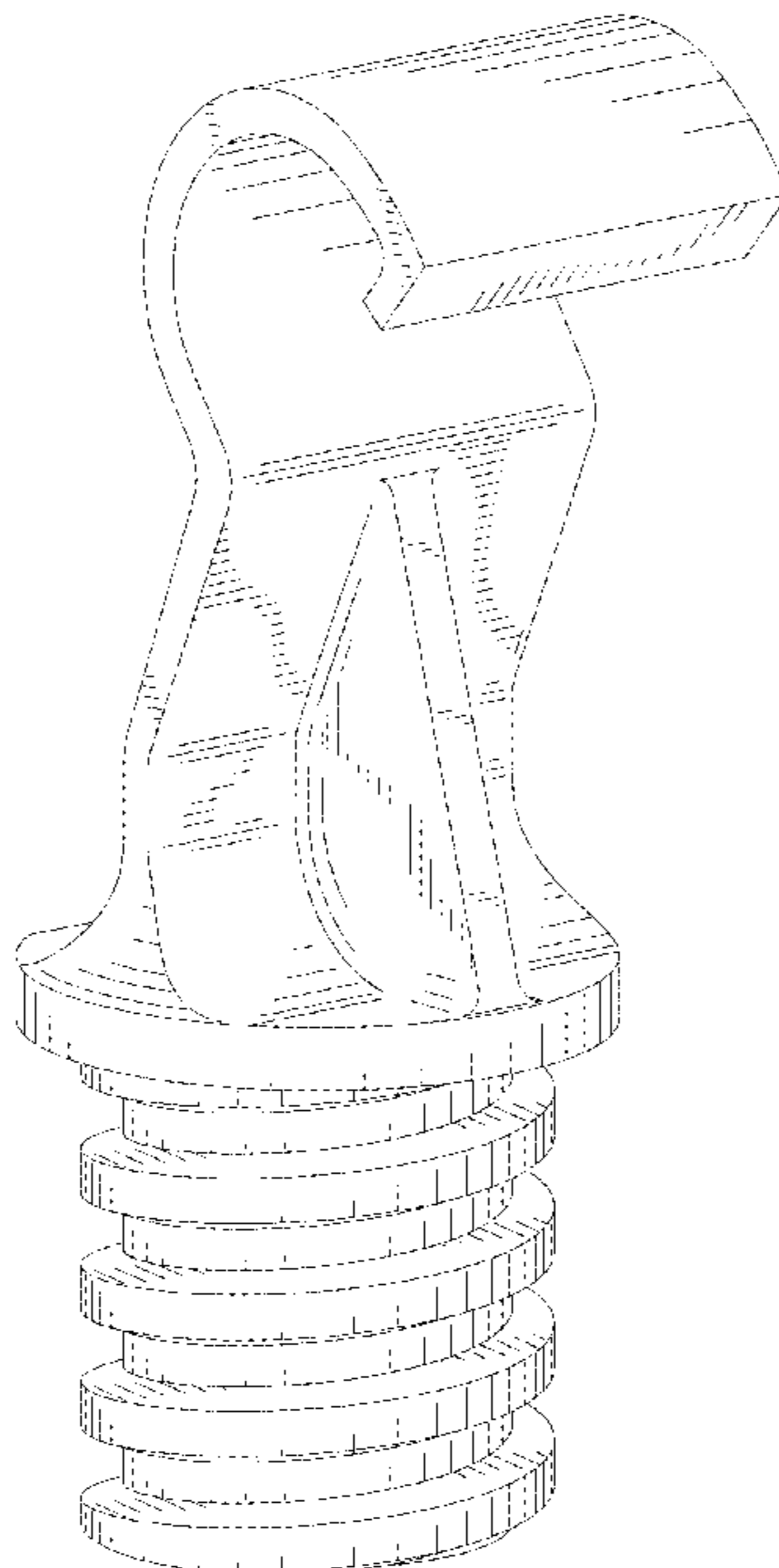
(57) **CLAIM**

The ornamental design for a paint roller hook, as shown and described.

DESCRIPTION

FIG. 1 is a perspective view of the paint roller hook showing the new design;
FIG. 2 is a right side view thereof;
FIG. 3 is a rear view thereof;
FIG. 4 is a top view thereof;
FIG. 5 is a left side view thereof;
FIG. 6 is a front view thereof;
FIG. 7 is a bottom view thereof; and,
FIG. 8 is a perspective view of the paint roller hook shown in use.
The broken lines in FIG. 7 represent structure that form no part of the claim. The broken lines in FIG. 8 represent an environment of use and form no part of the claim.

1 Claim, 4 Drawing Sheets



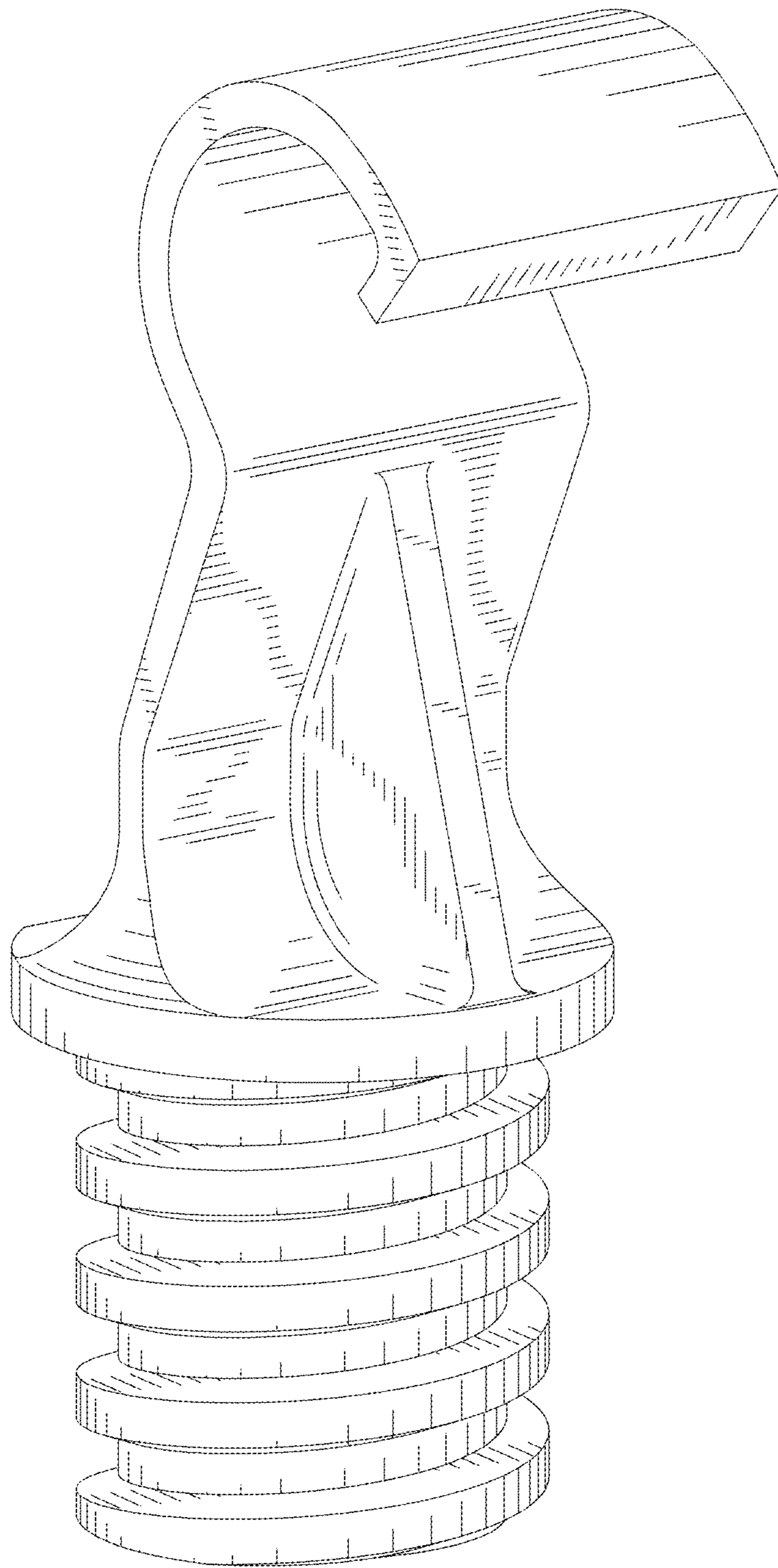


FIG. 1

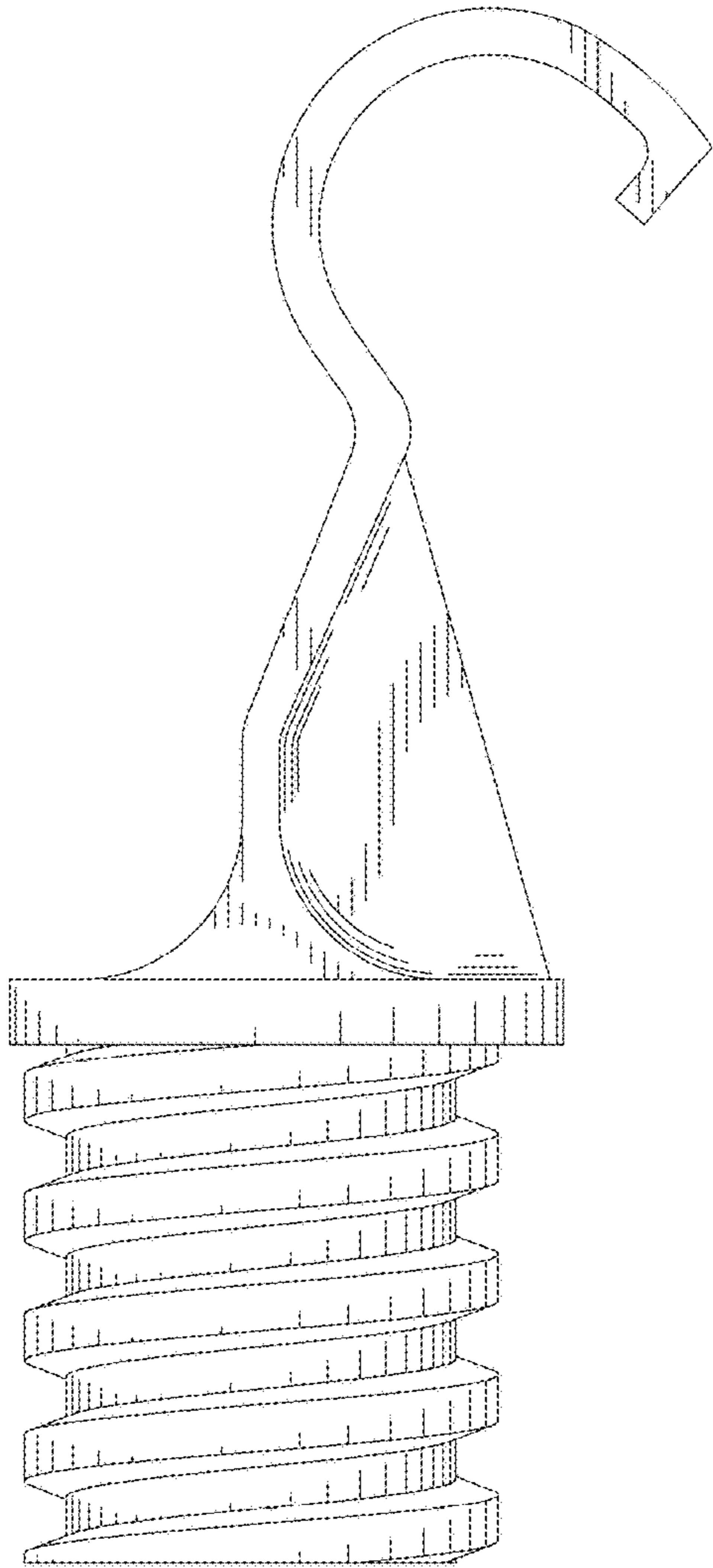


FIG. 2

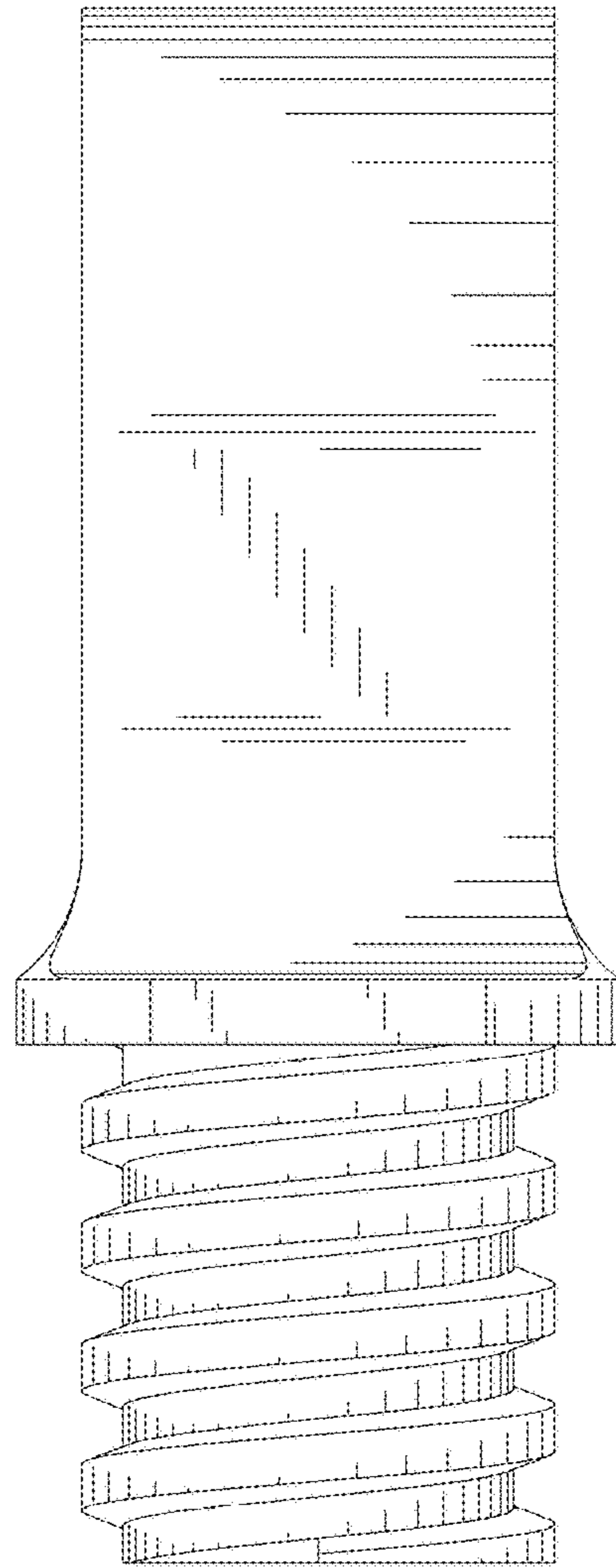


FIG. 3

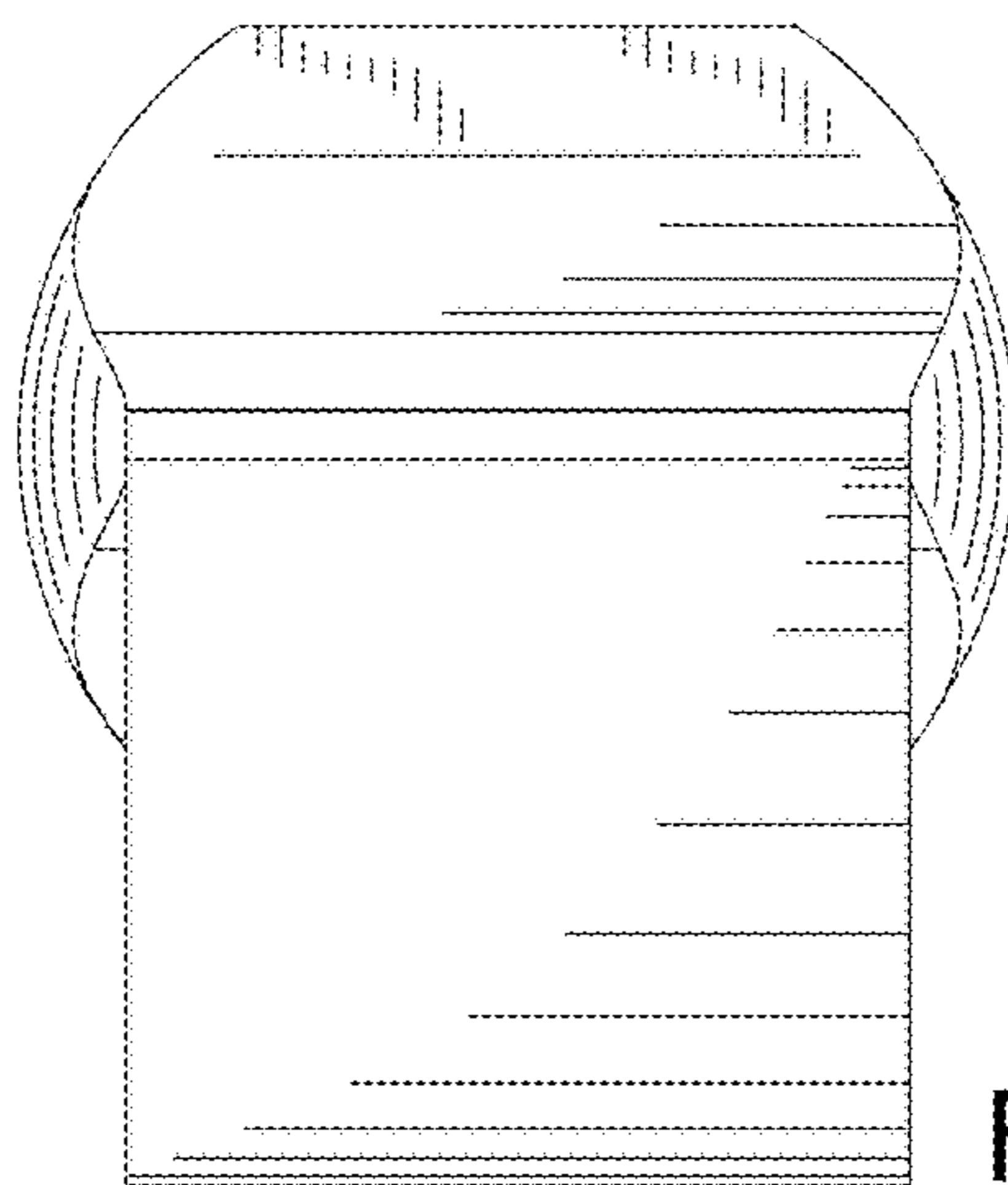


FIG. 4

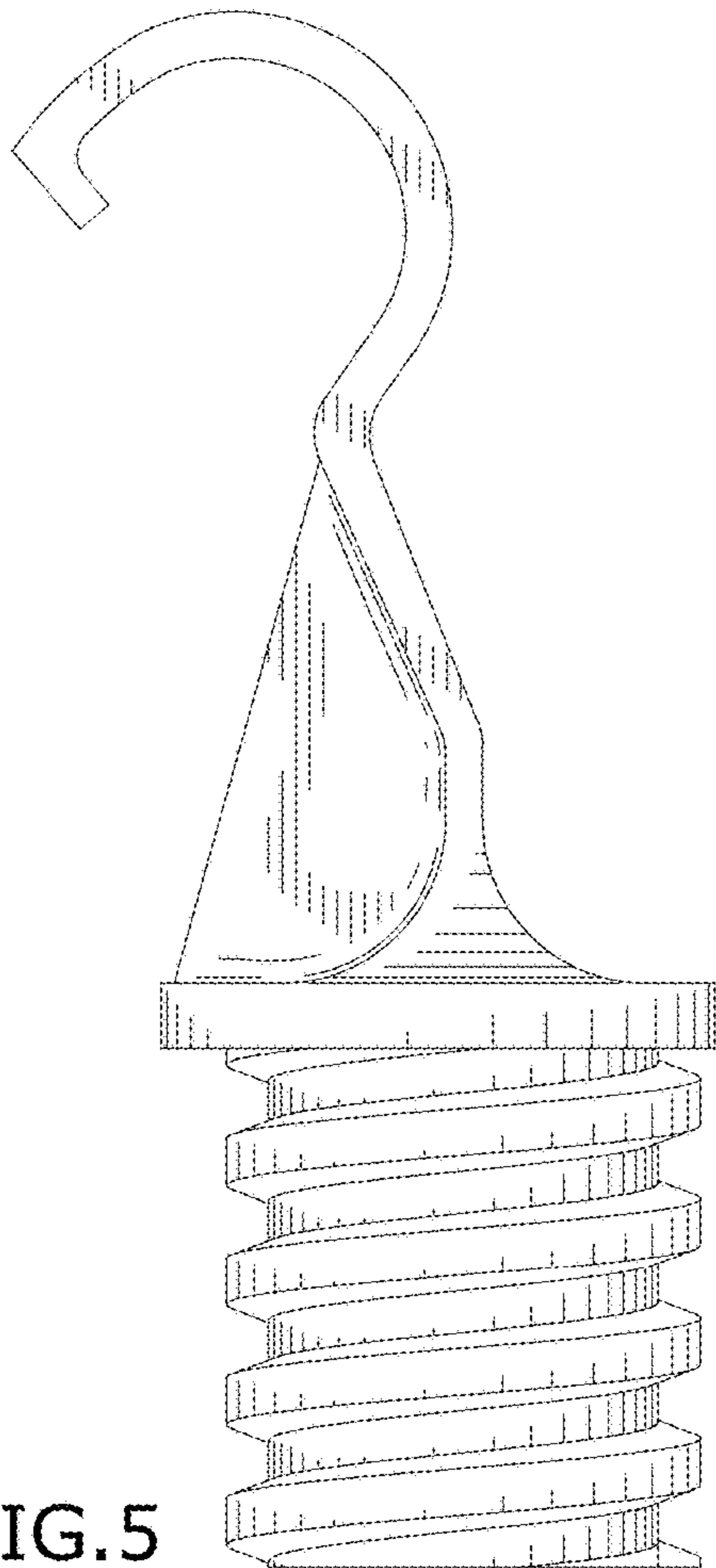


FIG. 5

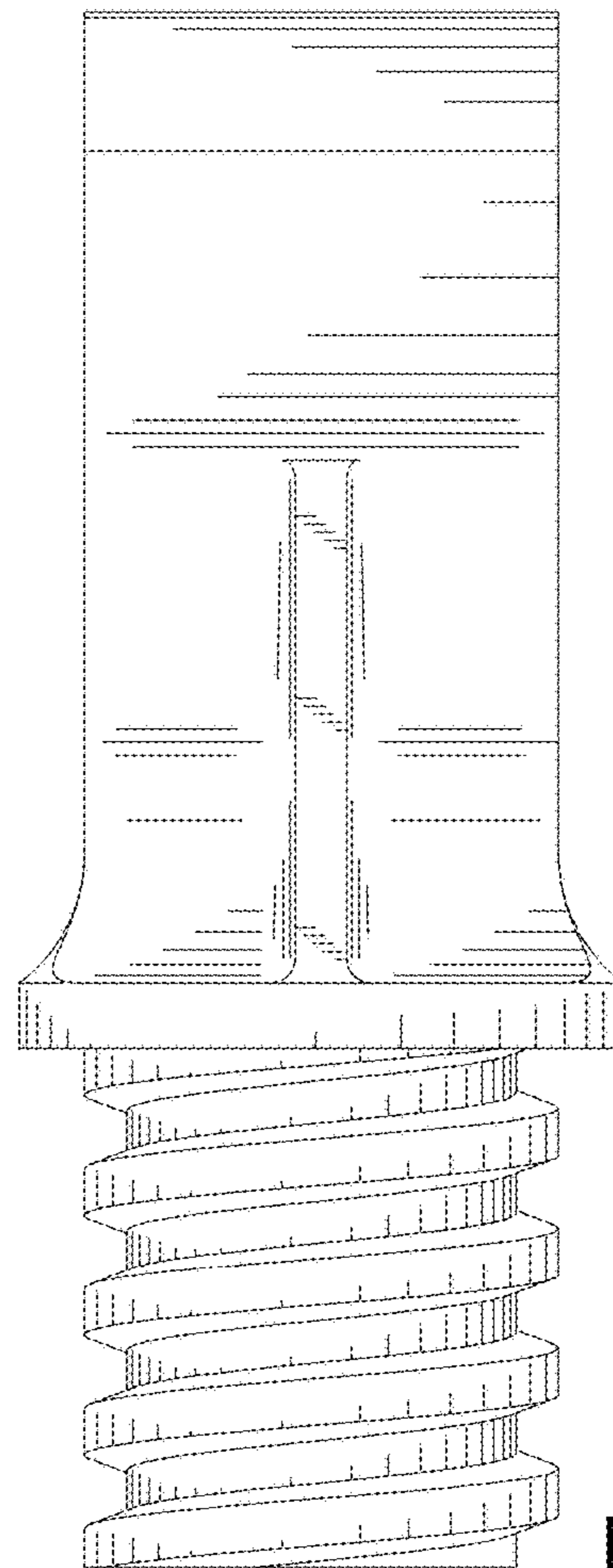


FIG. 6

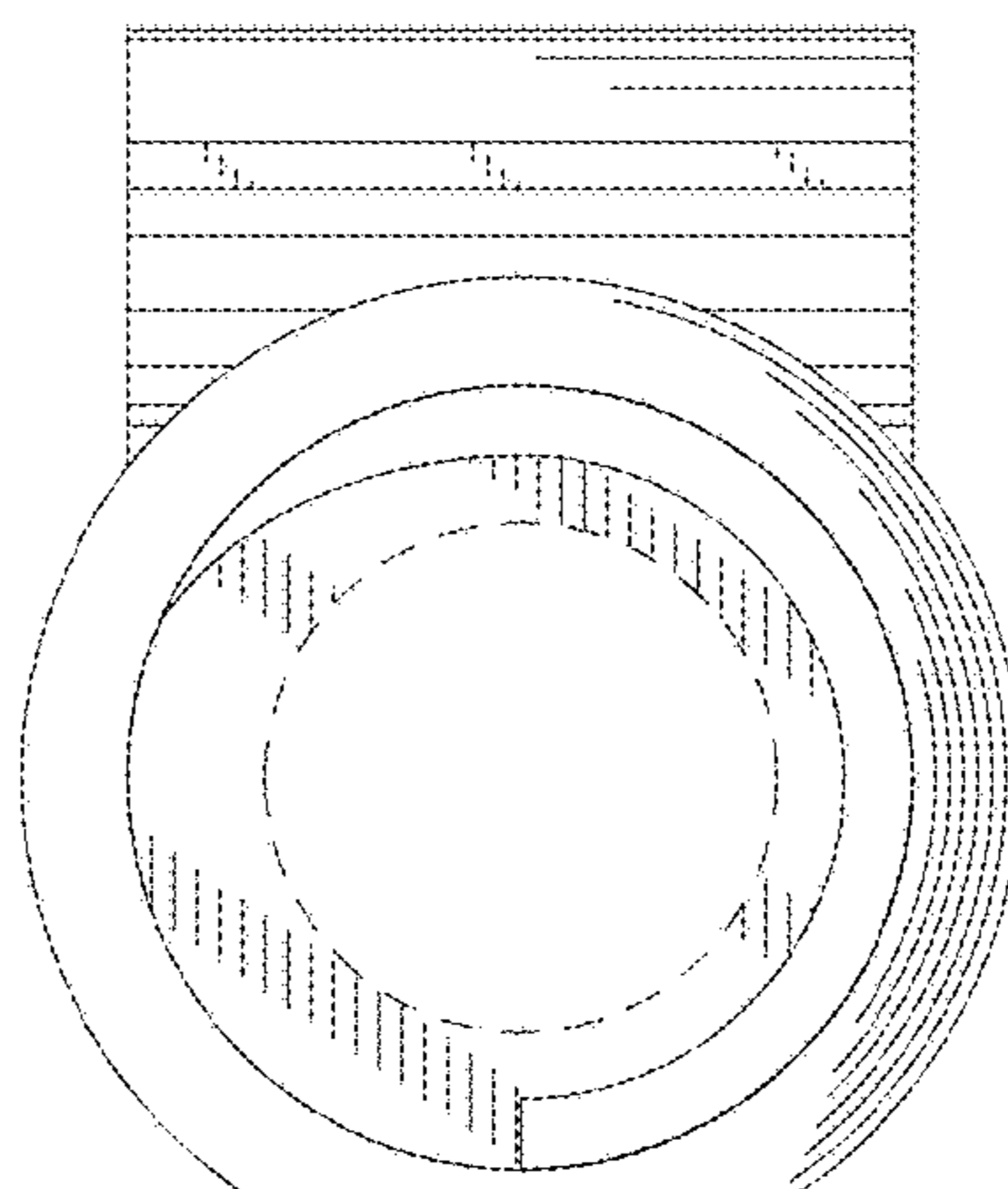


FIG. 7

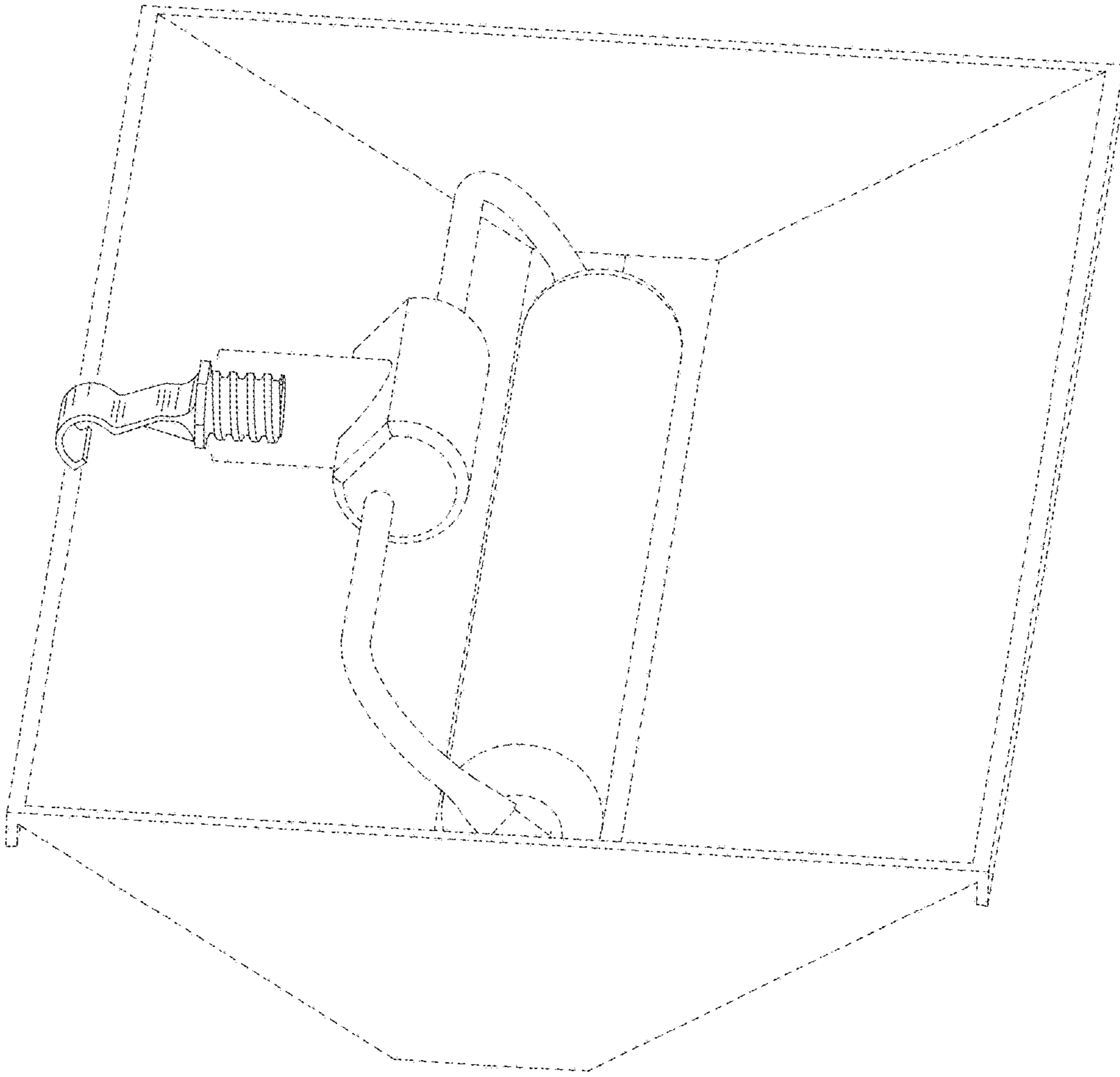


FIG.8