



US00D800541S

(12) **United States Design Patent**
O'Brien

(10) **Patent No.:** **US D800,541 S**

(45) **Date of Patent:** **** Oct. 24, 2017**

(54) **GUARD AND HINGE STRUCTURE**

(71) Applicant: **TSI Products, Inc.**, Arlington, TX (US)

(72) Inventor: **Stephen William O'Brien**, Fort Worth, TX (US)

(73) Assignee: **TSI Products, Inc.**, Arlington, TX (US)

(**) Term: **15 Years**

(21) Appl. No.: **29/586,746**

(22) Filed: **Dec. 6, 2016**

(51) **LOC (10) Cl.** **09-06**

(52) **U.S. Cl.**
USPC **D8/356**

(58) **Field of Classification Search**

USPC D8/323, 340, 343, 333, 325, 329, 336,
D8/354, 356, 349; 292/264; 16/387,
16/382, 281, 386, 211

CPC E05D 1/04; E05D 11/1014; E05B 73/007;
E05B 65/50; E05C 17/365; E05C 17/36;
E05C 17/025; B21D 53/40

See application file for complete search history.

(56) **References Cited**

U.S. PATENT DOCUMENTS

5,079,798	A *	1/1992	Burke	E05D 5/0246
					16/252
5,412,842	A *	5/1995	Riblett	E05D 5/12
					16/250
D372,852	S *	8/1996	Noll	D8/328
D436,515	S *	1/2001	Sonntag	D8/328
D531,020	S *	10/2006	Chustak	D8/402
D649,009	S *	11/2011	Caffin	D8/323
8,151,414	B2 *	4/2012	Baudasse	B64G 1/222
					16/227
D661,173	S *	6/2012	Caffin	D8/323
D673,024	S *	12/2012	Caffin	D8/323
D679,570	S *	4/2013	Farnsworth	D8/323

D699,093	S *	2/2014	Farnsworth	D8/323
D735,251	S *	7/2015	Jeon	D15/89
D748,451	S *	2/2016	Tung	D8/328
D789,172	S *	6/2017	Tomizawa	D8/328
D790,325	S *	6/2017	Gupta	D8/354
D791,576	S *	7/2017	Holmes	D8/346

* cited by examiner

Primary Examiner — Cynthia Underwood

(74) *Attorney, Agent, or Firm* — Hitchcock Evert LLP

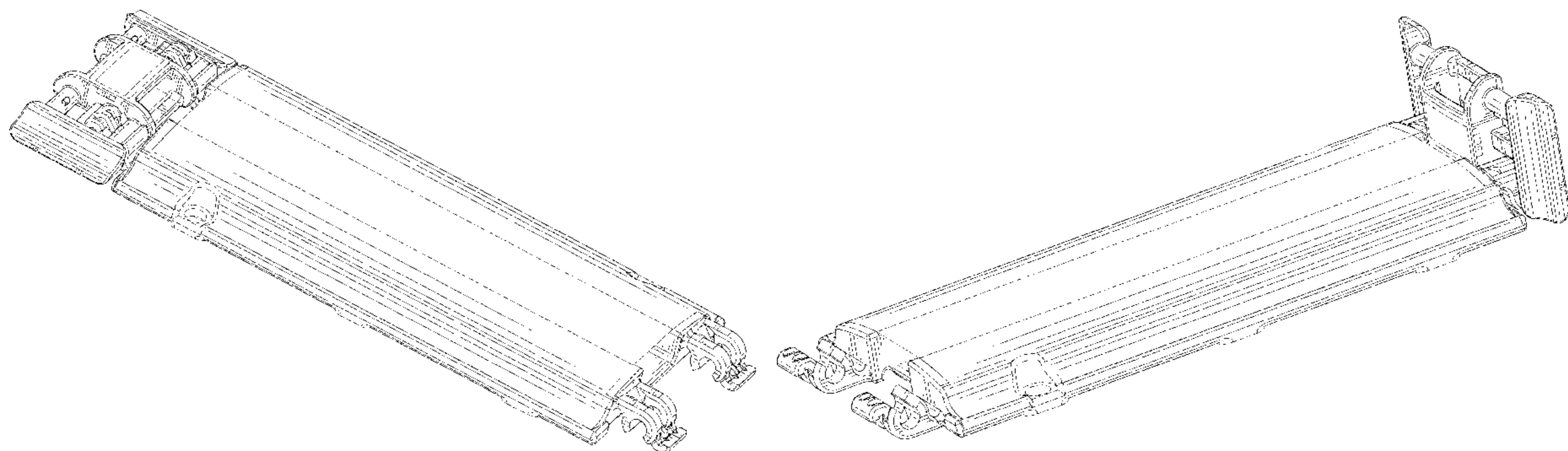
(57) **CLAIM**

The ornamental design for a guard and hinge structure, as shown and described.

DESCRIPTION

FIG. 1 is a perspective view from the top-left of the guard and hinge structure in a first state; FIG. 2 is a front view thereof; FIG. 3 is a back view thereof; FIG. 4 is a right side view thereof; FIG. 5 is a left side view thereof; FIG. 6 is a top view thereof; FIG. 7 is a bottom view thereof; and FIG. 8 is a perspective view from the bottom-left thereof; FIG. 9 is a perspective view from the top-right of the guard and hinge structure in a second state; FIG. 10 is a front view thereof; FIG. 11 is a back view thereof; FIG. 12 is a right side view thereof; FIG. 13 is a left side view thereof; FIG. 14 is a top view thereof; FIG. 15 is a bottom view thereof; and, FIG. 16 is a perspective view from the bottom-left of the guard and hinge structure in a second state. The features shown in broken lines are for the purpose of illustrating portions of the article that form no part of the claimed design.

1 Claim, 12 Drawing Sheets



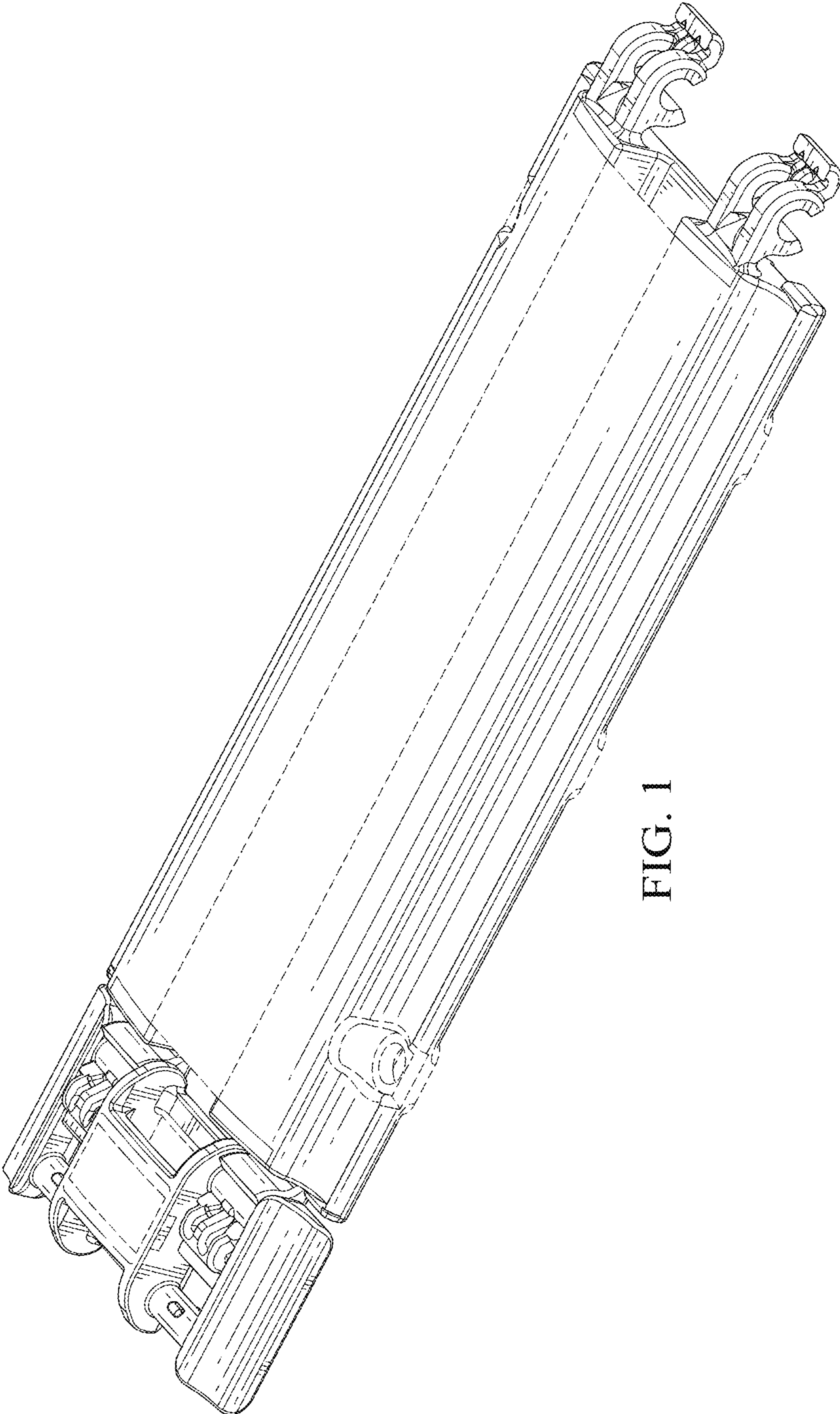


FIG. 1

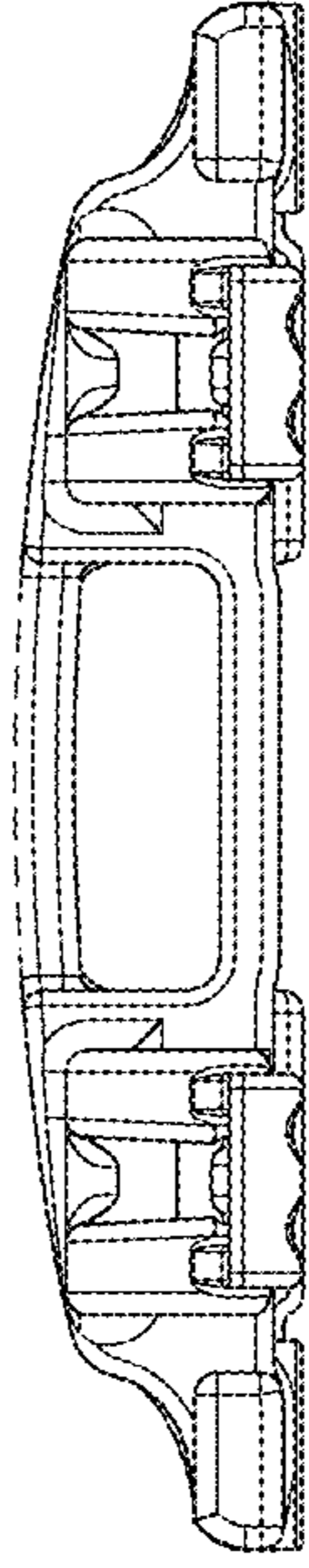


FIG. 3

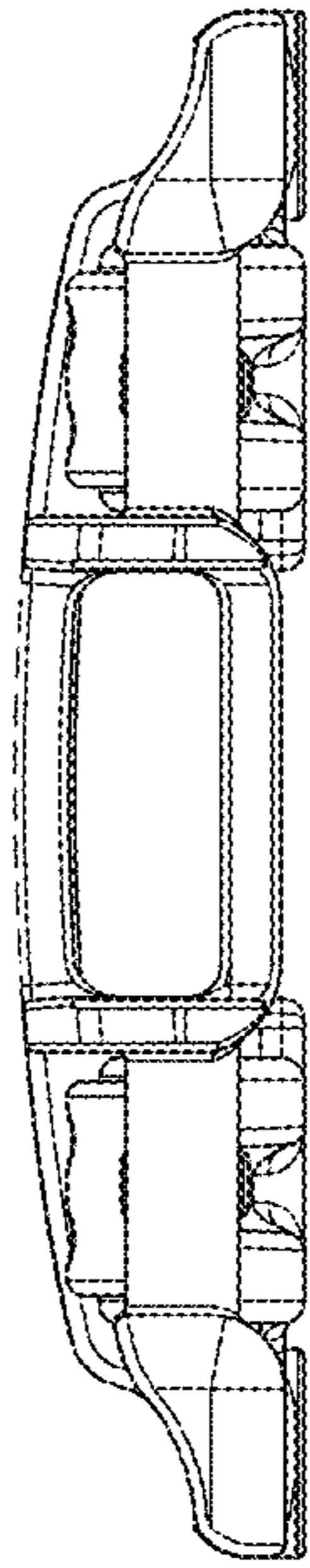


FIG. 2

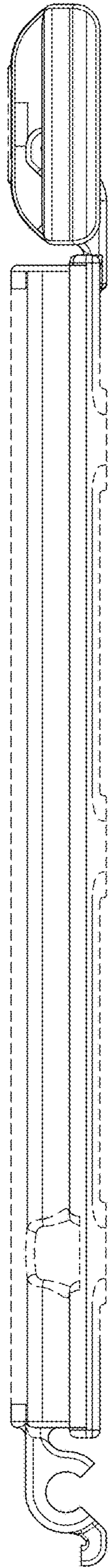


FIG. 4

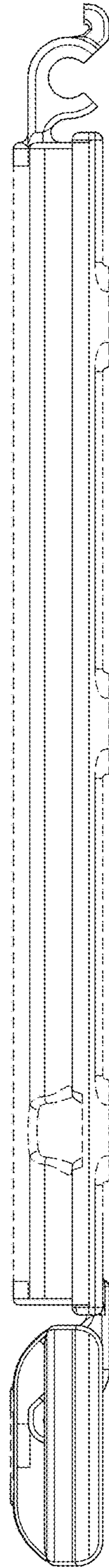


FIG. 5

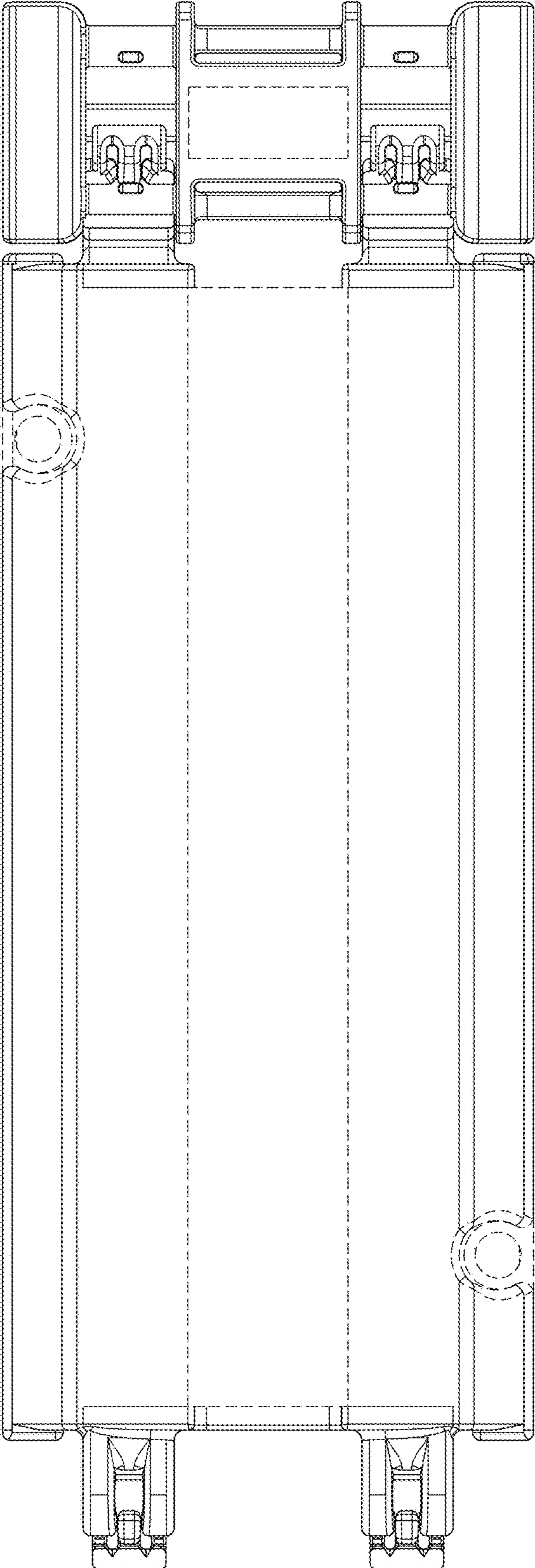


FIG. 6

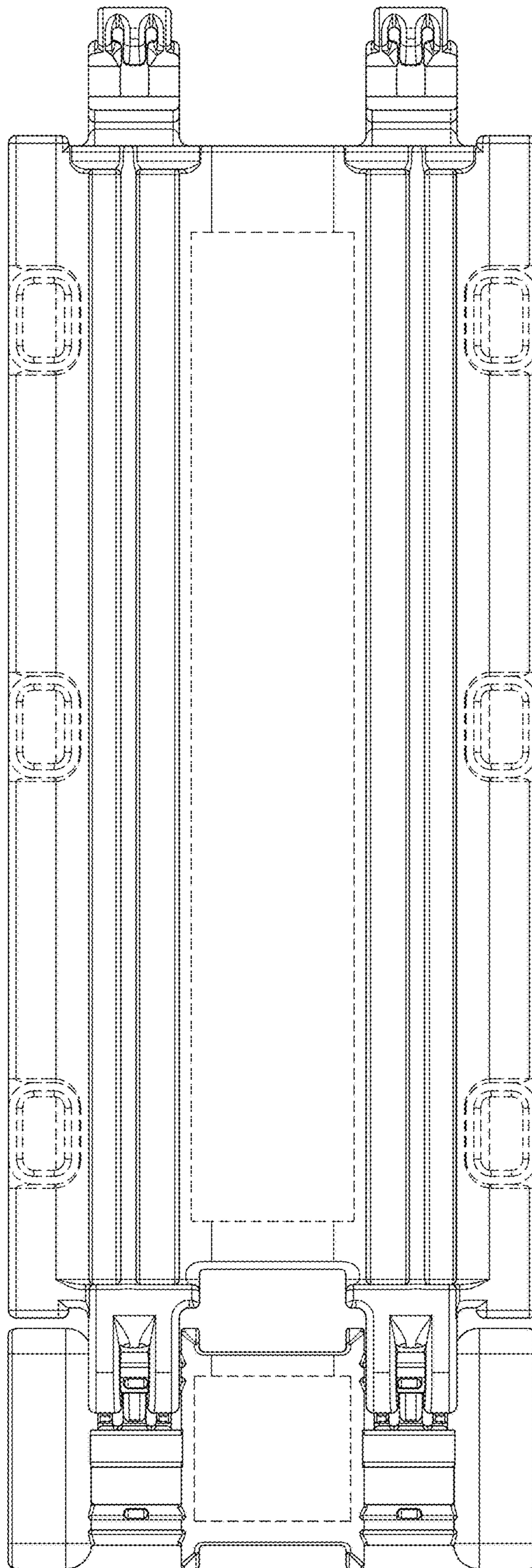


FIG. 7

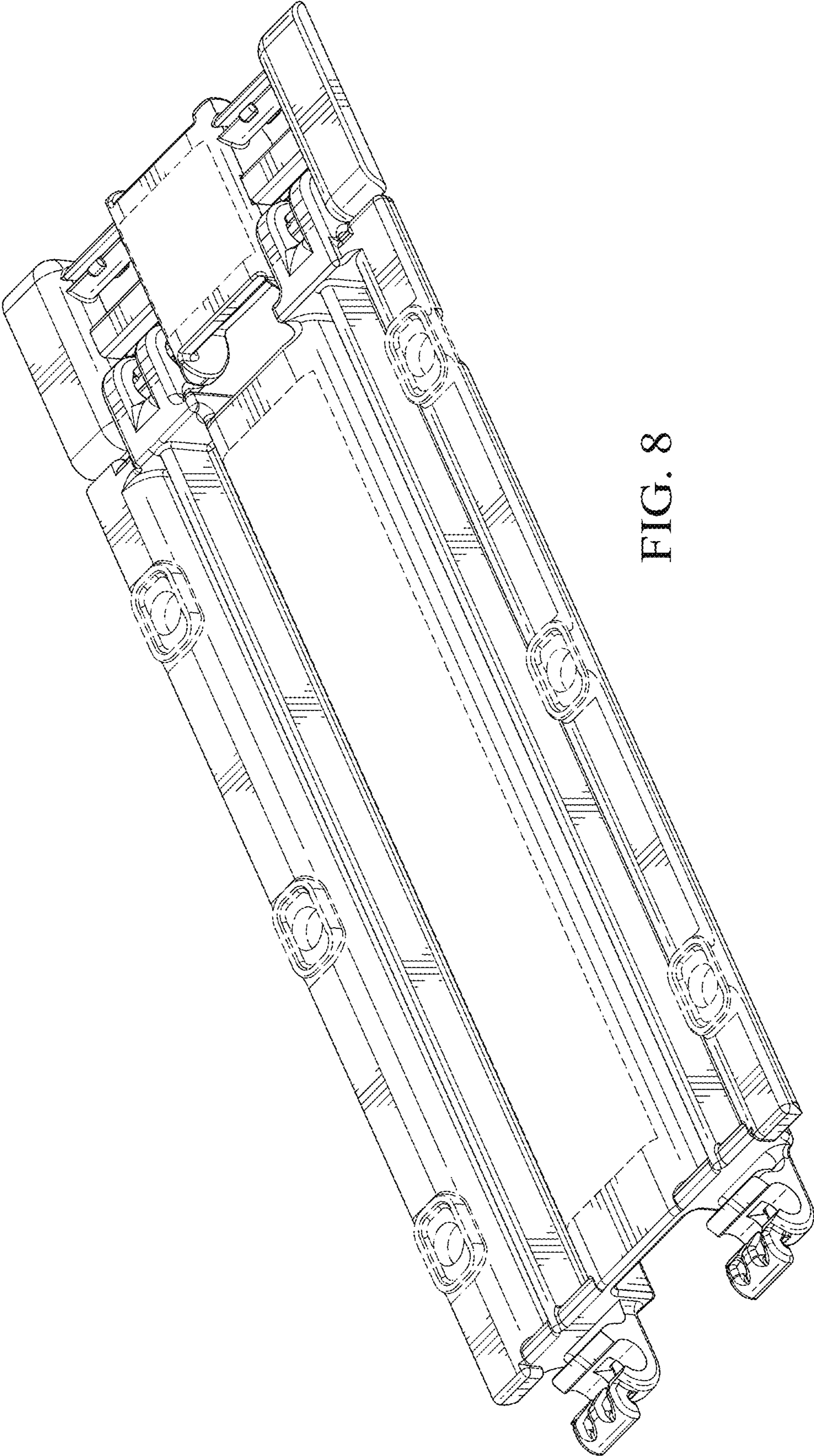


FIG. 8

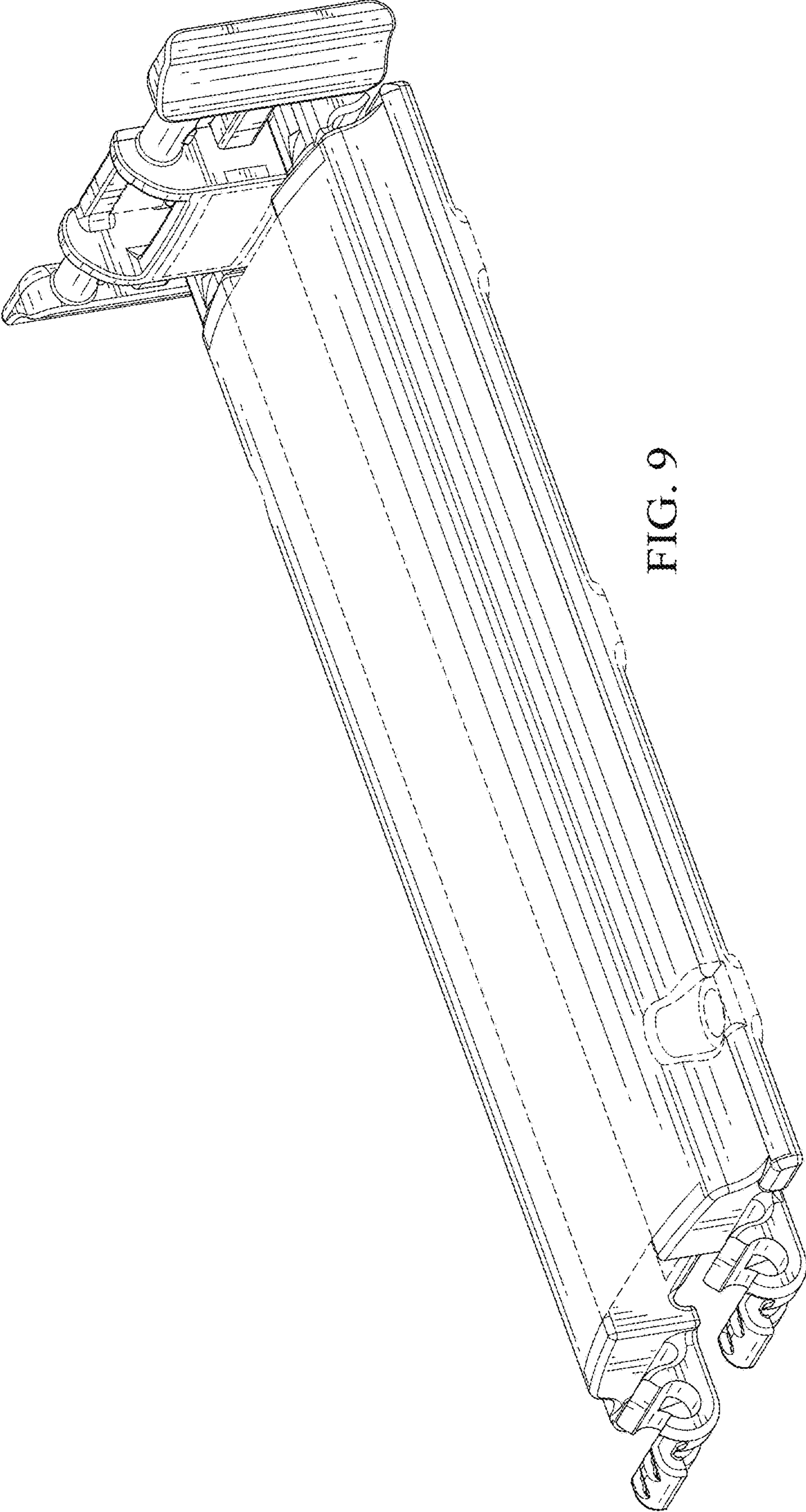


FIG. 9

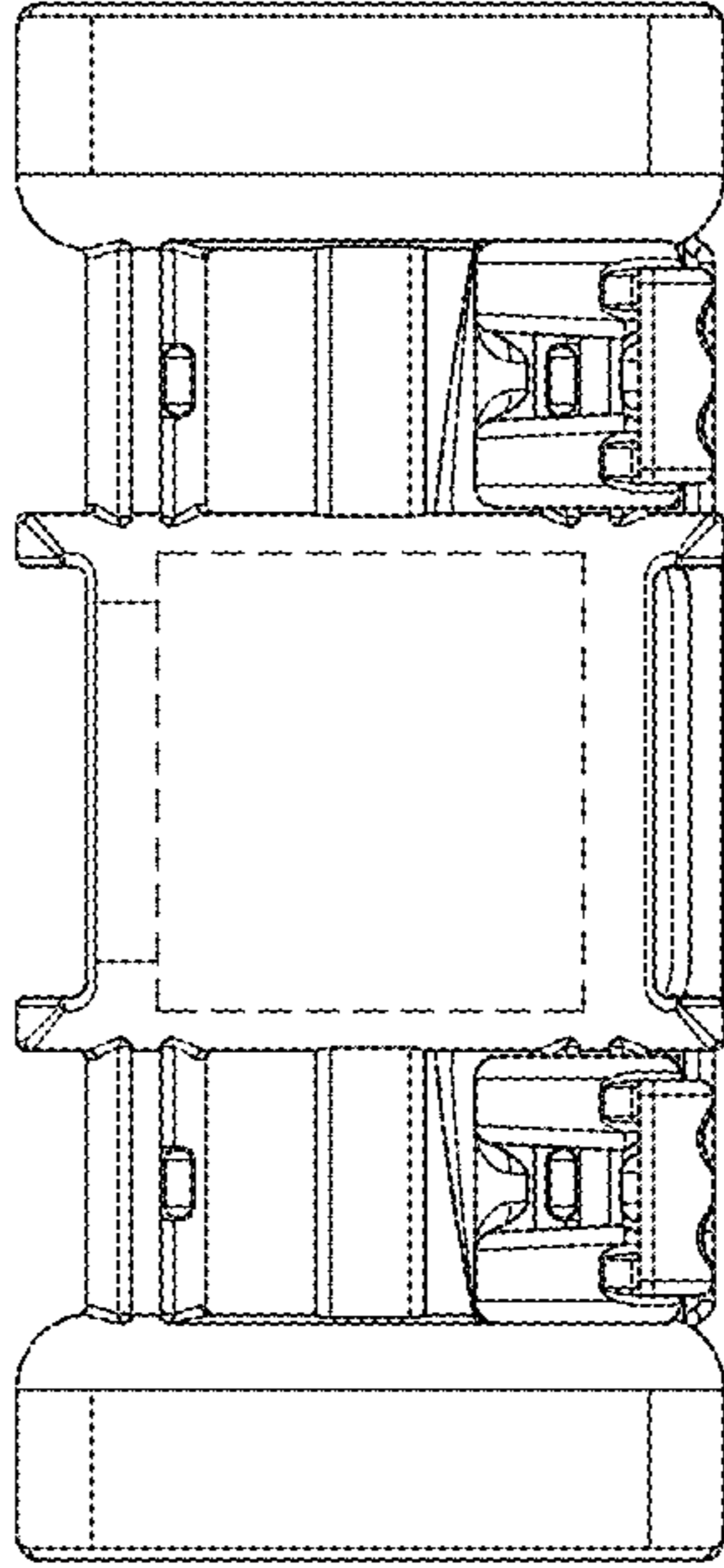


FIG. 11

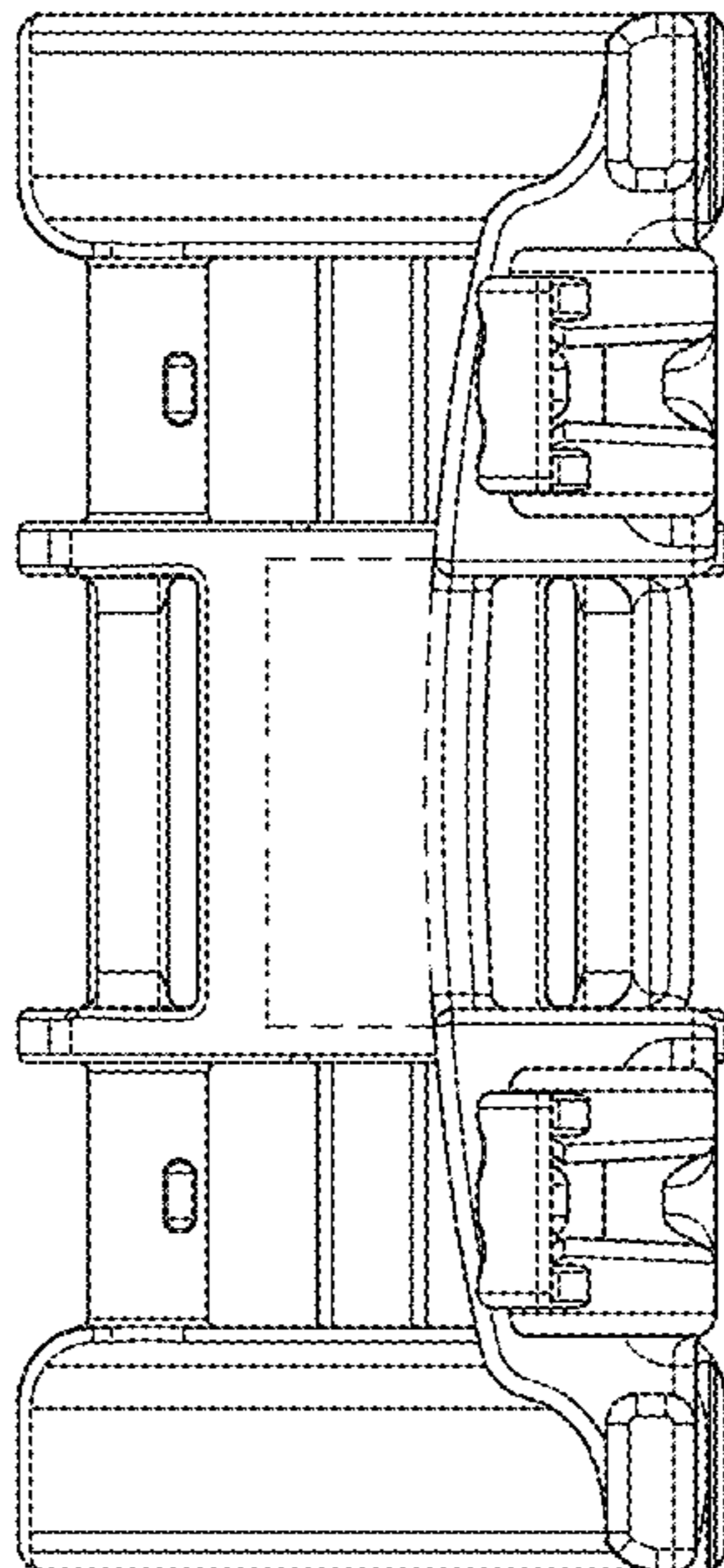


FIG. 10

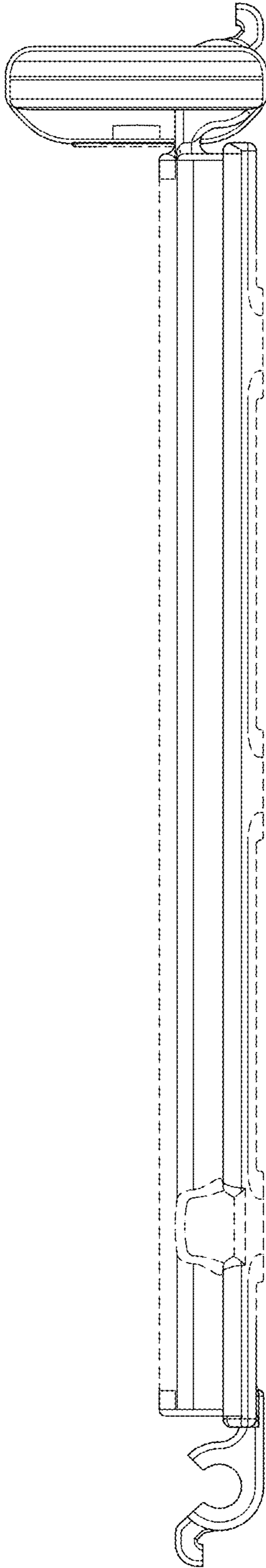


FIG. 12

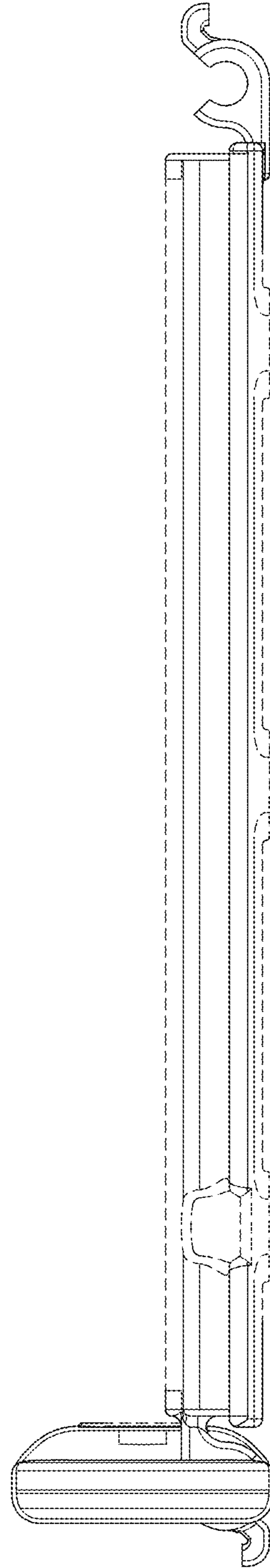


FIG. 13

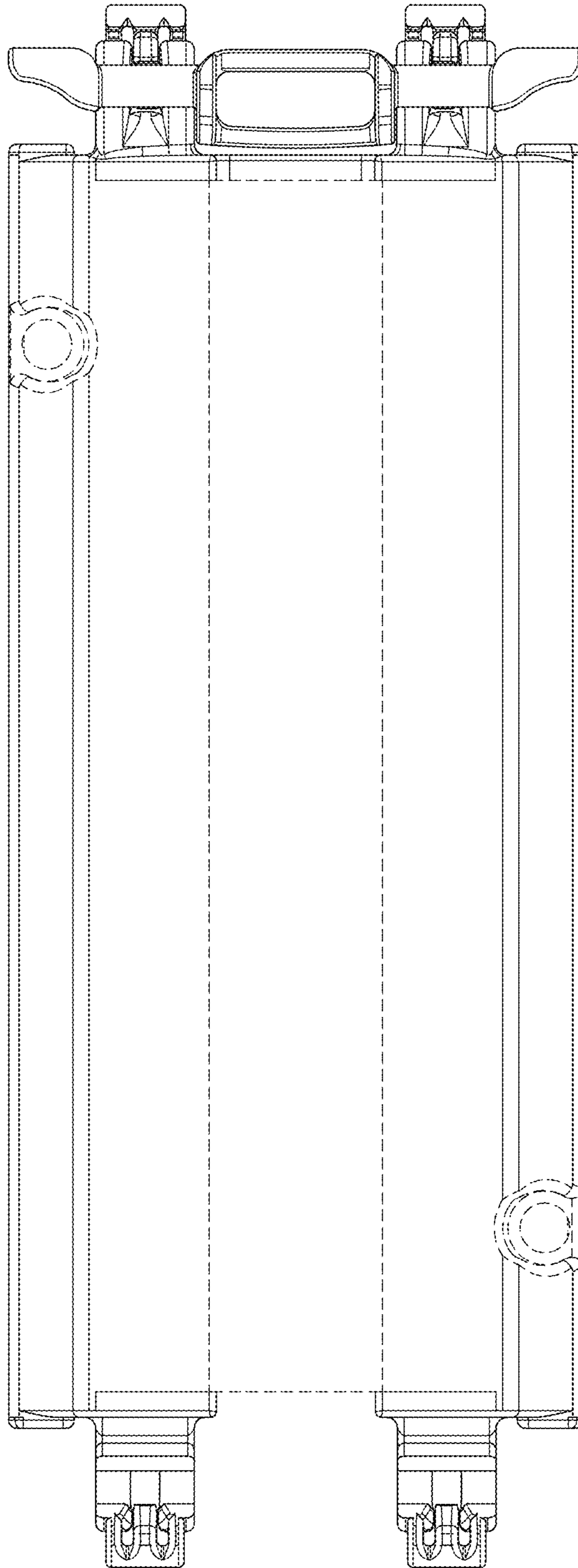


FIG. 14

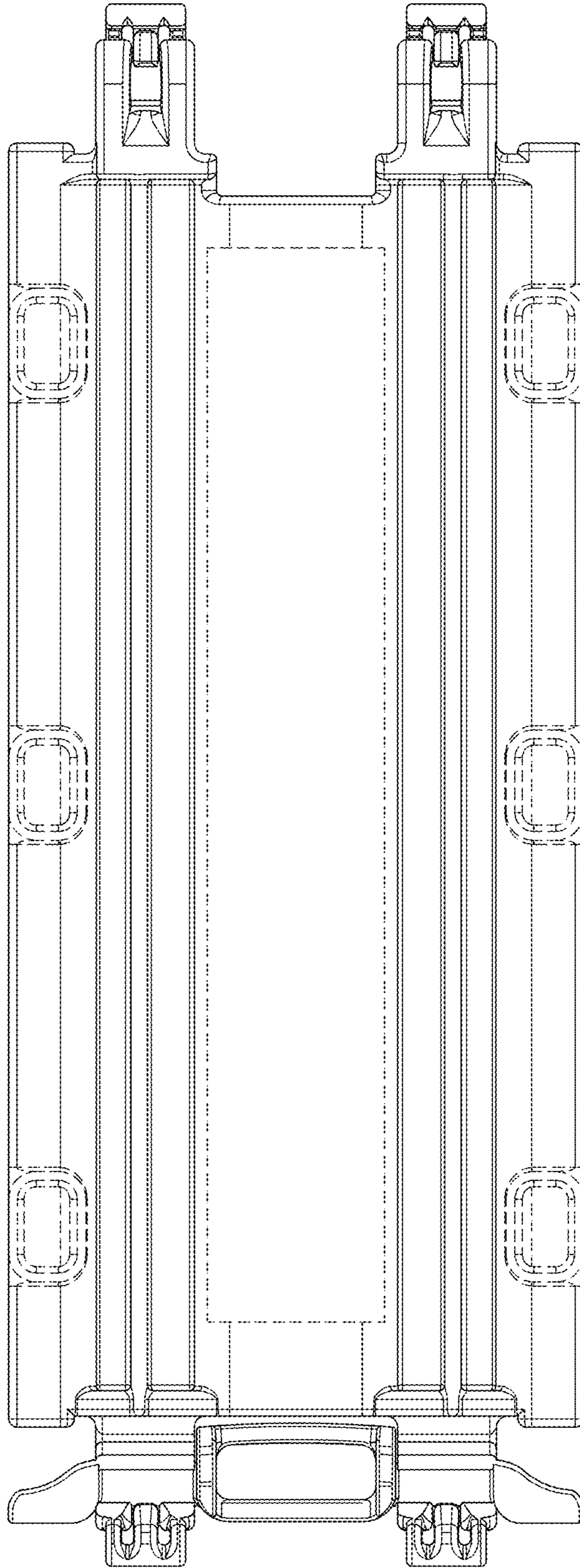


FIG. 15

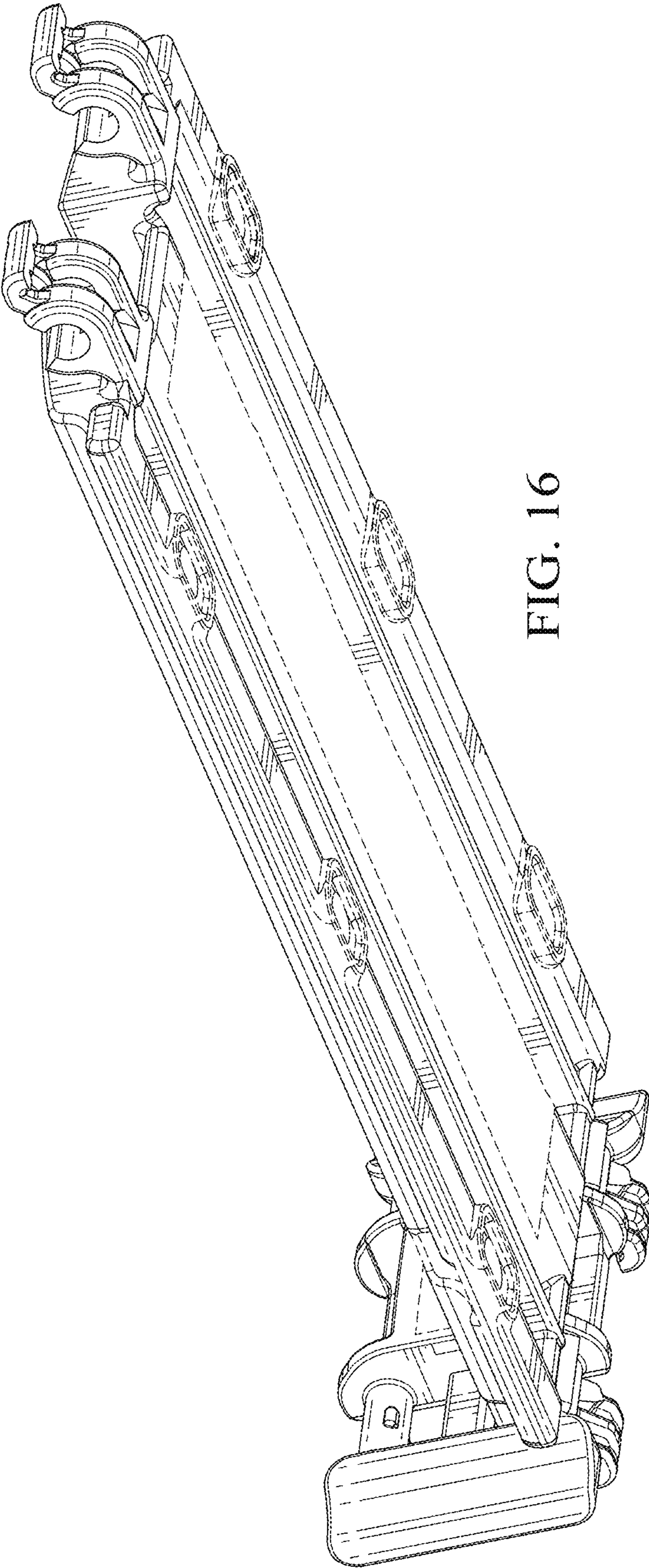


FIG. 16