



US00D800538S

(12) **United States Design Patent**
Lowitz

(10) **Patent No.:** **US D800,538 S**
(45) **Date of Patent:** **** Oct. 24, 2017**

(54) **CALIPER CRACK MARK**

(71) Applicant: **Gregory E. Lowitz**, Redwood City, CA (US)

(72) Inventor: **Gregory E. Lowitz**, Redwood City, CA (US)

(**) Term: **15 Years**

(21) Appl. No.: **29/582,406**

(22) Filed: **Oct. 27, 2016**

Related U.S. Application Data

(62) Division of application No. 29/503,458, filed on Sep. 26, 2014, now Pat. No. Des. 771,480.

(51) **LOC (10) Cl.** **08-05**

(52) **U.S. Cl.**
USPC **D8/354**; D8/382

(58) **Field of Classification Search**
USPC D8/349, 354, 375, 382, 387, 388, 393, D8/394, 396; D25/199; D6/702, 710; D23/233, 259, 260, 261, 499
CPC G01N 2203/006; G01N 2203/0062; G01N 2203/0064; G01N 2203/0066; G01N 3/62; G01N 19/08; G01N 27/4163; G01N 27/9086; G01N 2035/00702; G01N 3/40
See application file for complete search history.

(56) **References Cited**

U.S. PATENT DOCUMENTS

4,075,886 A 2/1978 Barker
D298,605 S * 11/1988 Colgan D8/382
D347,467 S 5/1994 Medvick
(Continued)

OTHER PUBLICATIONS

Data Sheet and Installation Guide—Crackmon® Crackpoint™ TR50ti, 2 pages, date unknown, cited in Notice of Allowance for

U.S. Appl. No. 29/503,458 mailed Aug. 17, 2016, <<https://buildera.box.com/shared/static/zumr4j5ce03raw2psl8q2wm4i5yykj5k.pdf>>.

Primary Examiner — Sandra Snapp

Assistant Examiner — Ieisha Price

(74) *Attorney, Agent, or Firm* — Price Heneveld LLP

(57) **CLAIM**

I claim the ornamental design for a caliper crack mark, as shown and described.

DESCRIPTION

FIG. 1 is a top perspective view of a caliper crack mark according to a first embodiment of my new design;

FIG. 2 is a top plan view thereof;

FIG. 3 is a front elevation view thereof, the left, right and rear elevation views being identical;

FIG. 4 is a cross-section view thereof taken along the line 4-4 of FIG. 3;

FIG. 5 is a bottom perspective view thereof;

FIG. 6 is a bottom plan view thereof;

FIG. 7 is a top perspective view of a caliper crack mark according to a second embodiment of my new design;

FIG. 8 is a top plan view thereof;

FIG. 9 is a front elevation view thereof, the left, right and rear elevation views being identical;

FIG. 10 is a cross-section view thereof taken along the line 10-10 of FIG. 9;

FIG. 11 is a bottom perspective view thereof;

FIG. 12 is a bottom plan view thereof;

FIG. 13 is a top perspective view of a caliper crack mark according to a third embodiment of my new design;

FIG. 14 is a top plan view thereof;

FIG. 15 is a front elevation view thereof, the left, right and rear elevation views being identical;

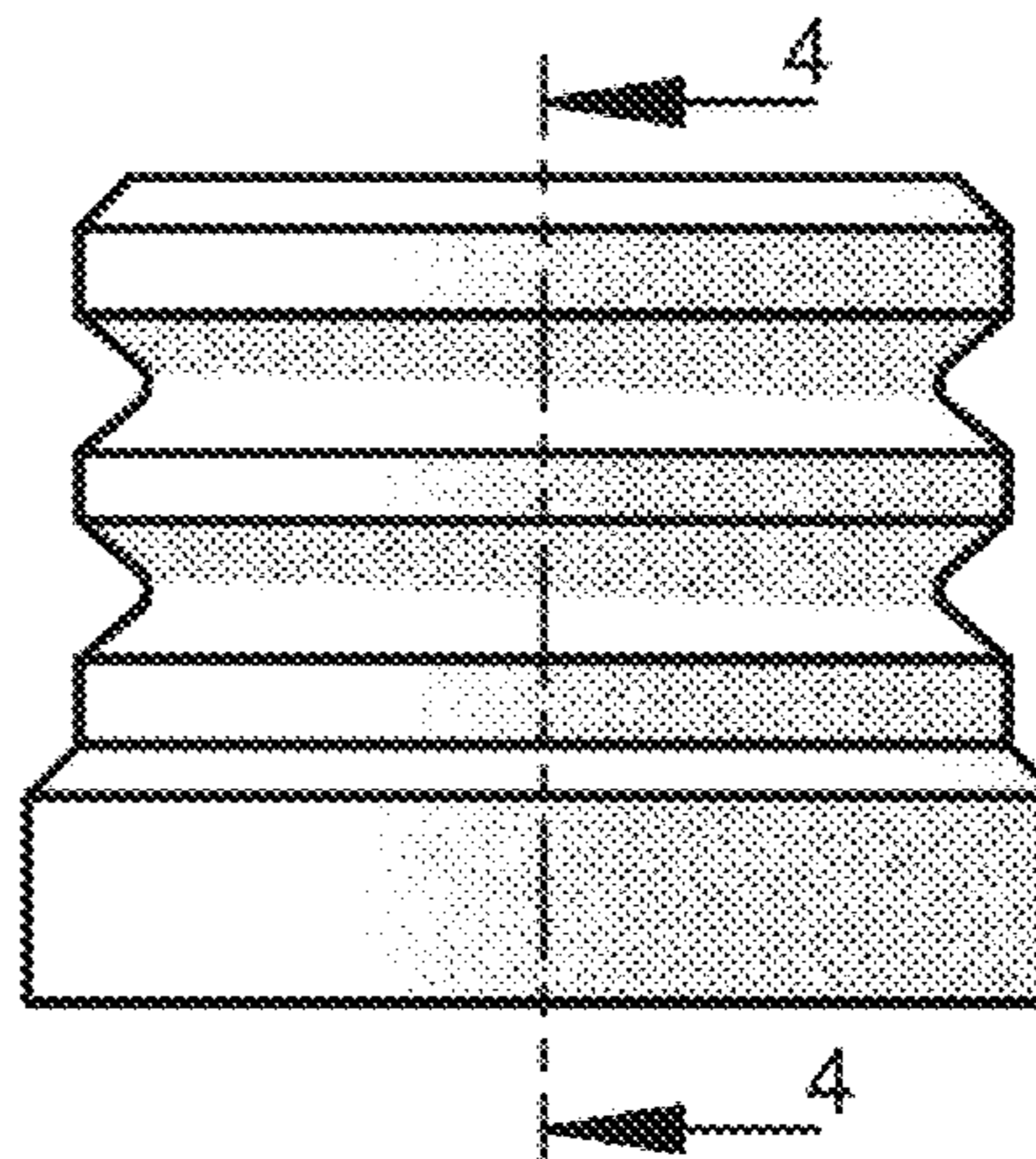
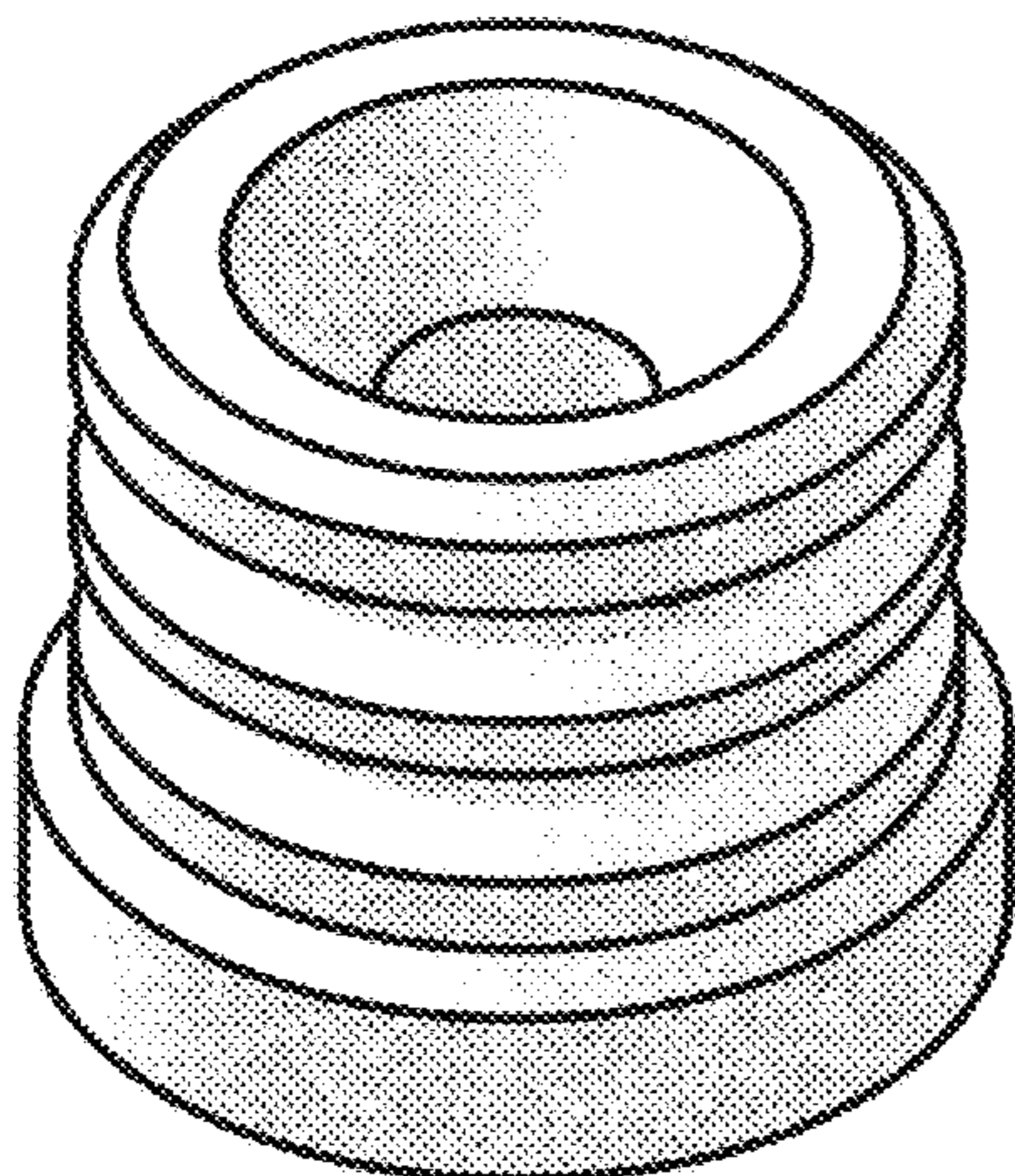
FIG. 16 is a cross-section view thereof taken along the line 16-16 of FIG. 15;

FIG. 17 is a bottom perspective view thereof; and,

FIG. 18 is a bottom plan view thereof.

The stippled shading in the Figures shows surface contouring and does not represent surface ornamentation.

1 Claim, 3 Drawing Sheets



(56)

References Cited

U.S. PATENT DOCUMENTS

D351,898 S * 10/1994 Stowers, Jr. D23/260
D362,176 S * 9/1995 Solbeck D8/382
D370,629 S * 6/1996 Lynch D9/439
D402,354 S * 12/1998 Strong D23/259
D464,409 S * 10/2002 Nishio D23/259
D480,953 S 10/2003 Lee
D483,252 S 12/2003 Williamson
D491,393 S * 6/2004 Kelterborn D6/710
D570,966 S * 6/2008 Gilligan D23/260
D619,449 S 7/2010 Smith
D627,490 S 11/2010 Janish
D637,697 S 5/2011 Steiner
D658,478 S * 5/2012 Wall D8/349
D700,682 S 3/2014 Bayyouk
D709,994 S * 7/2014 King F16L 21/035
D23/259
D718,121 S 11/2014 Yu
D733,262 S * 6/2015 Kang D23/261
D748,228 S 1/2016 Bayyouk
D771,480 S * 11/2016 Lowitz D8/382
2016/0161383 A1 6/2016 Lowitz

* cited by examiner

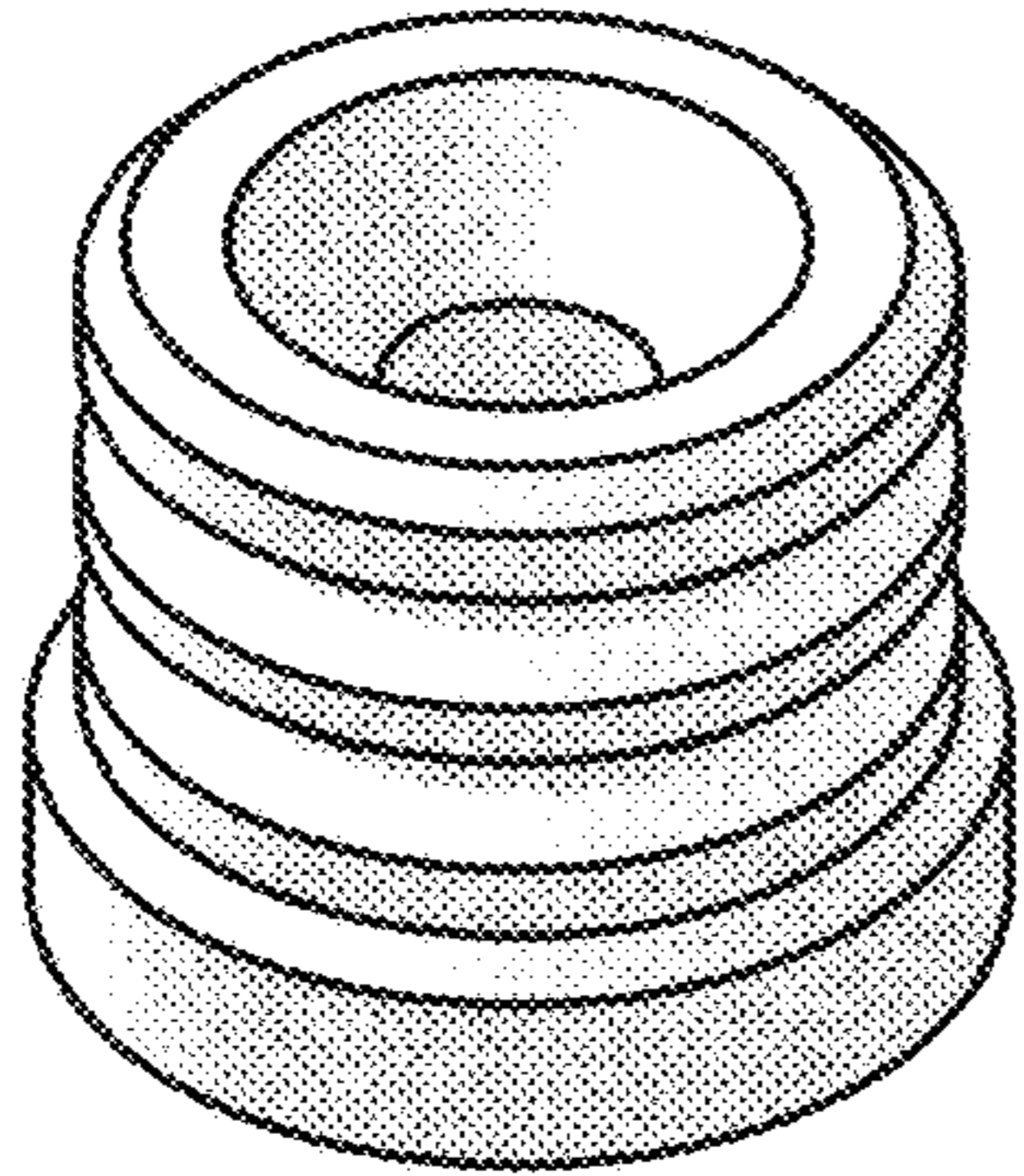


FIG. 1

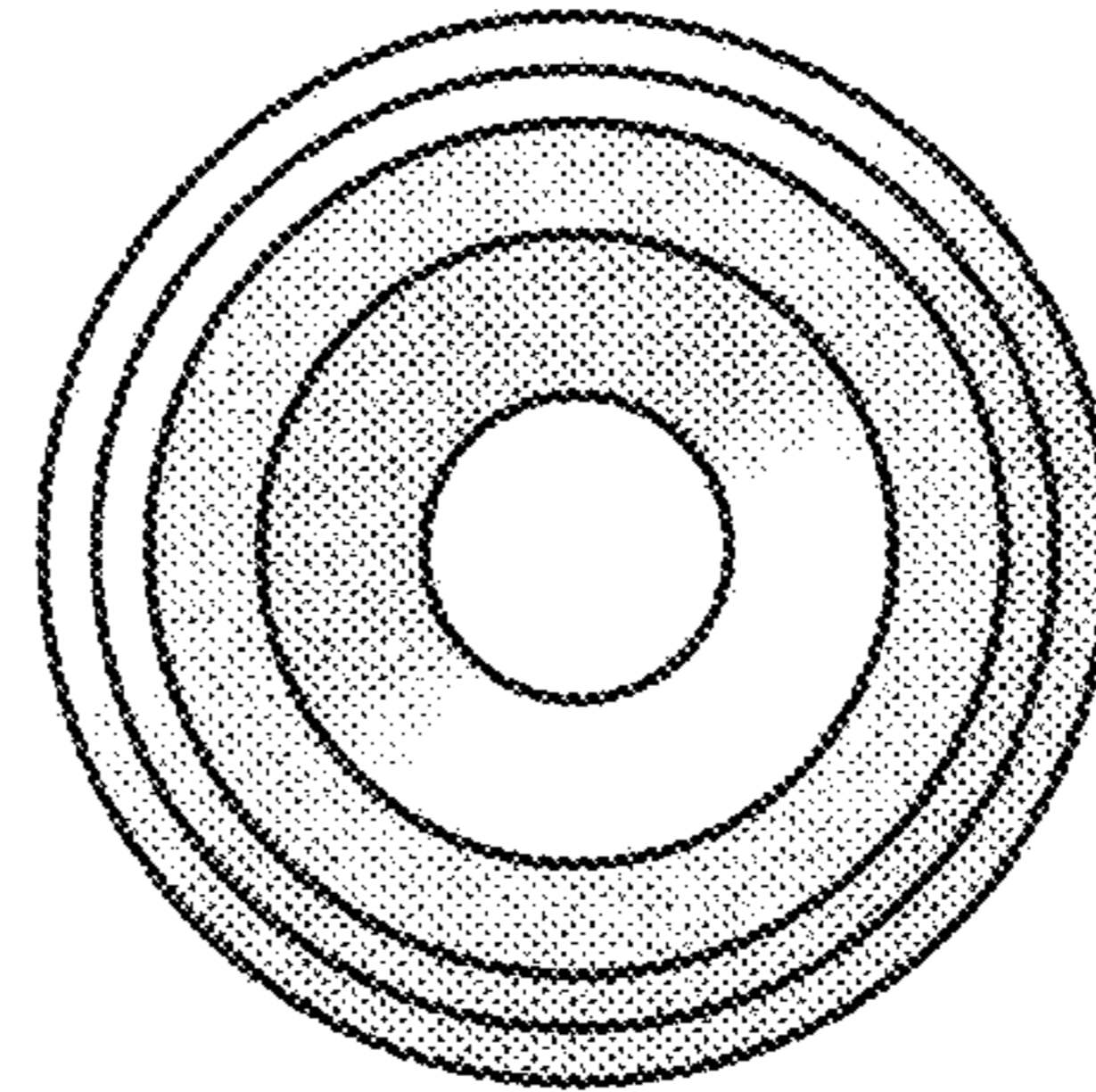


FIG. 2

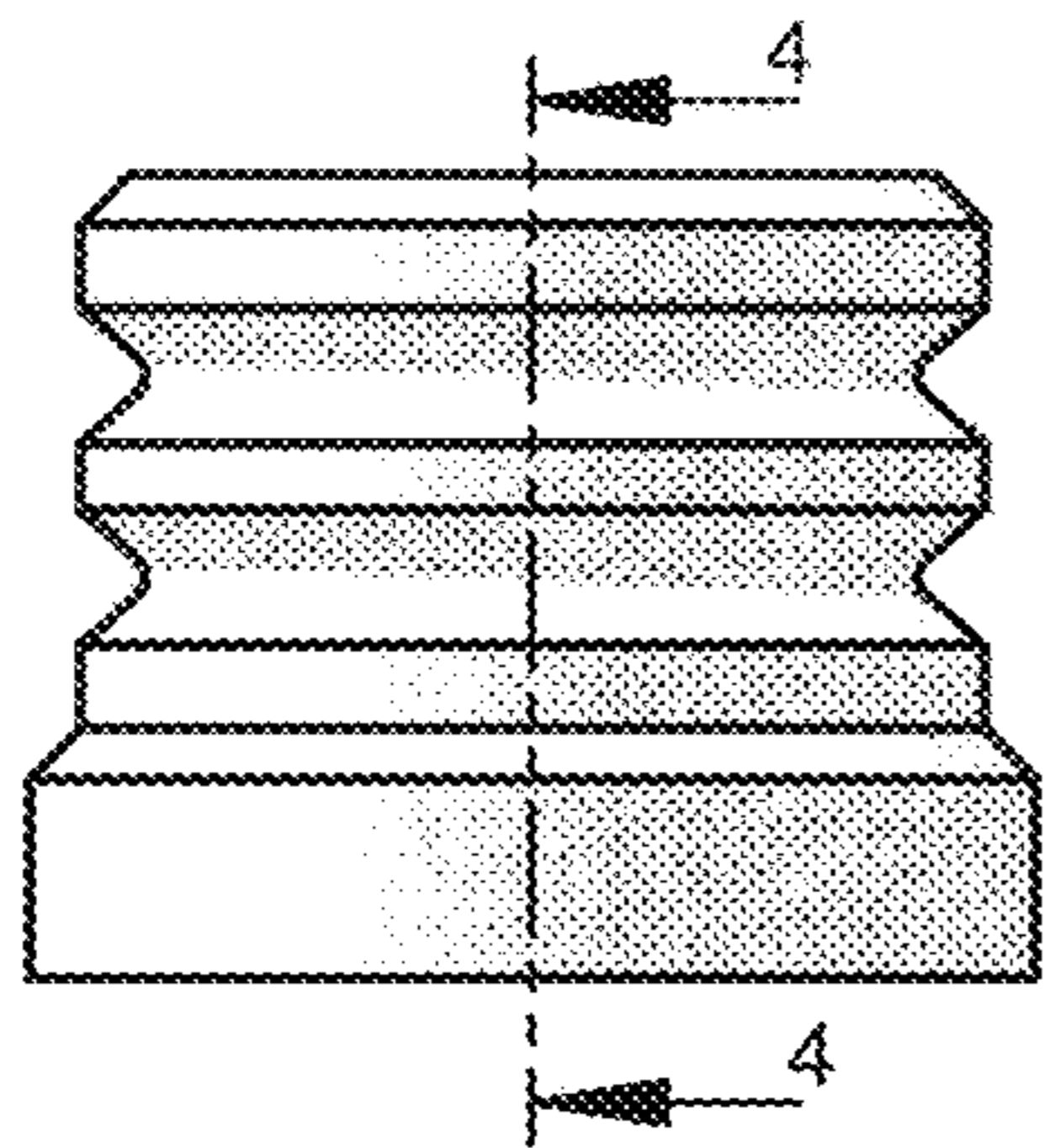


FIG. 3

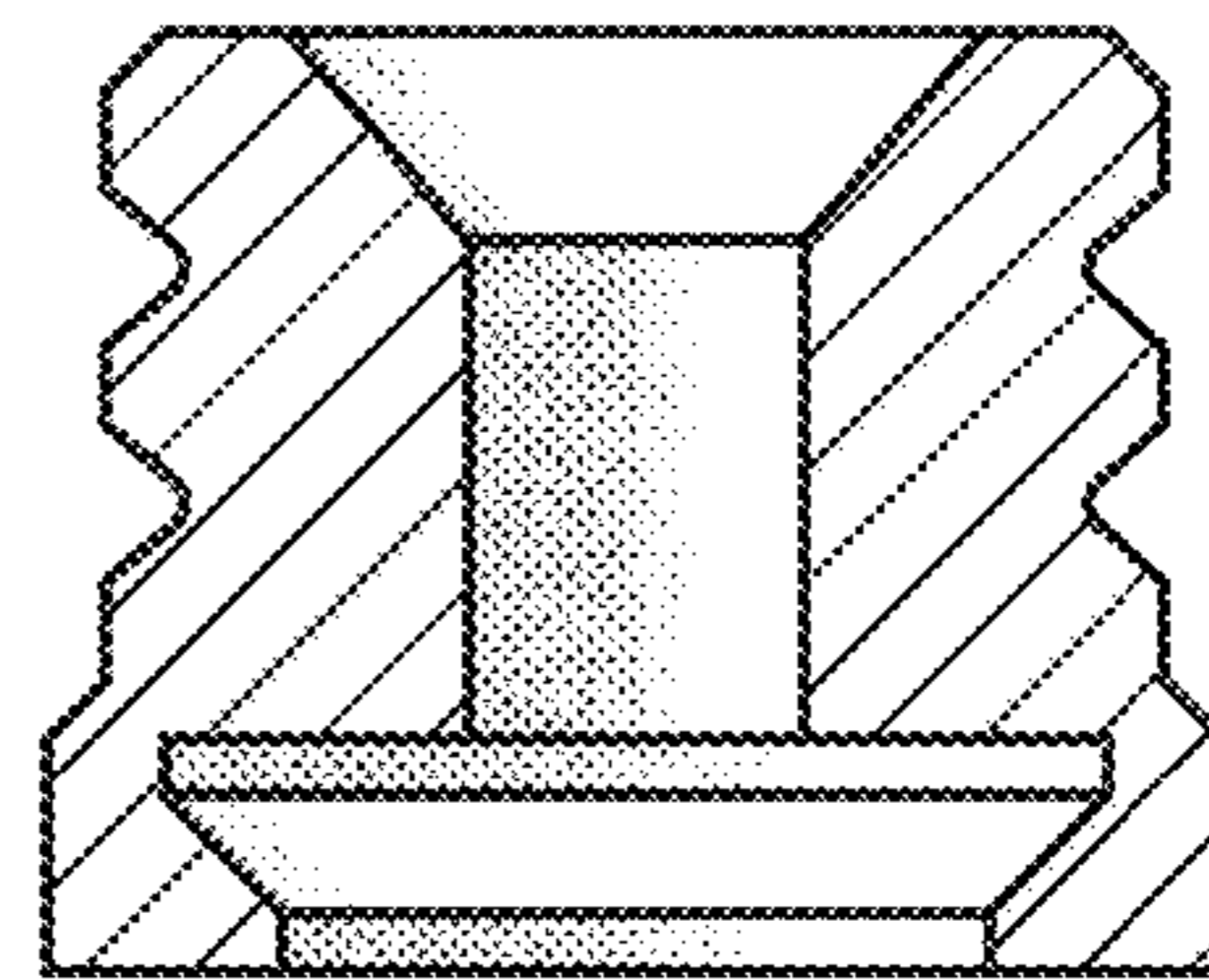


FIG. 4

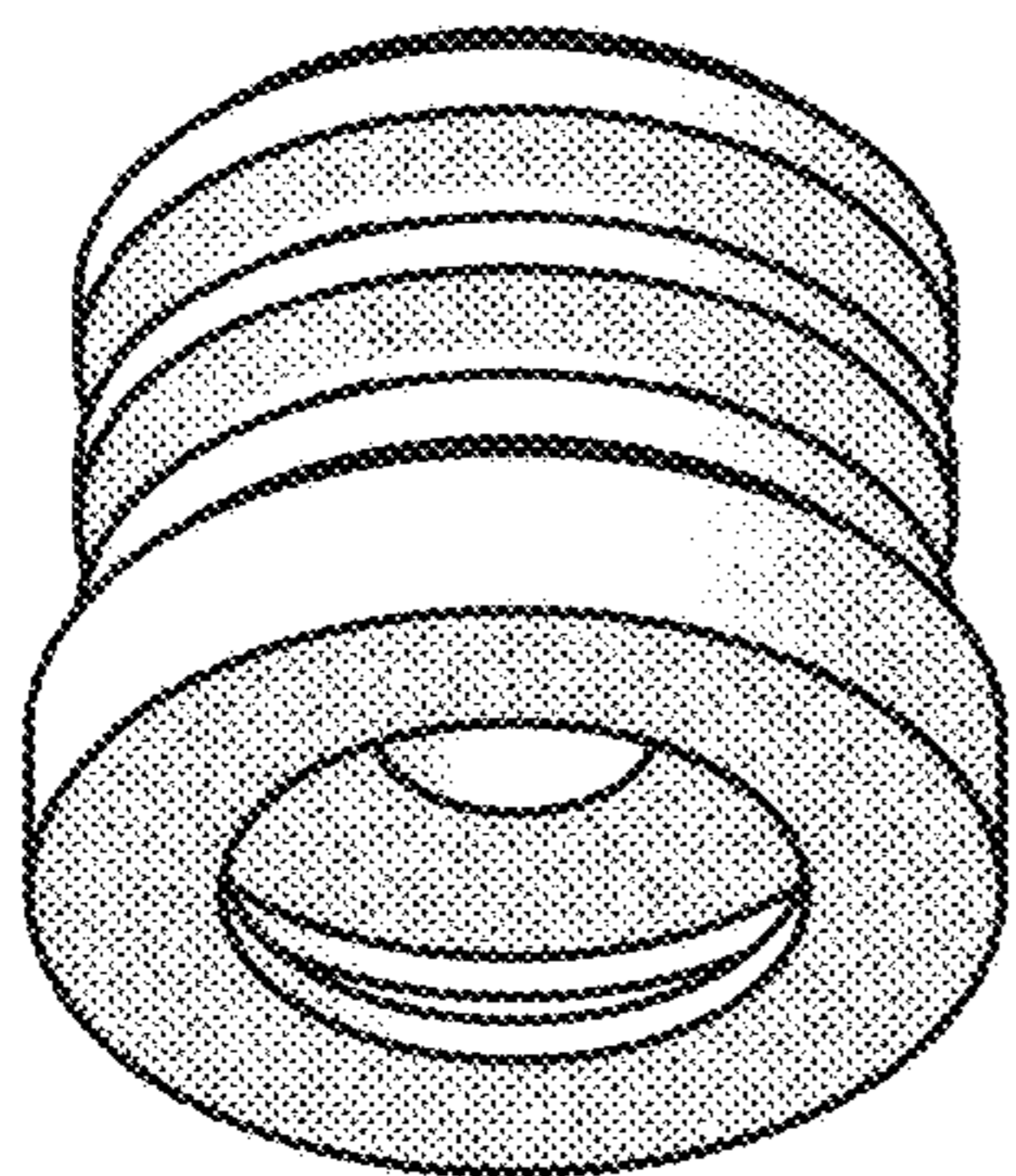


FIG. 5

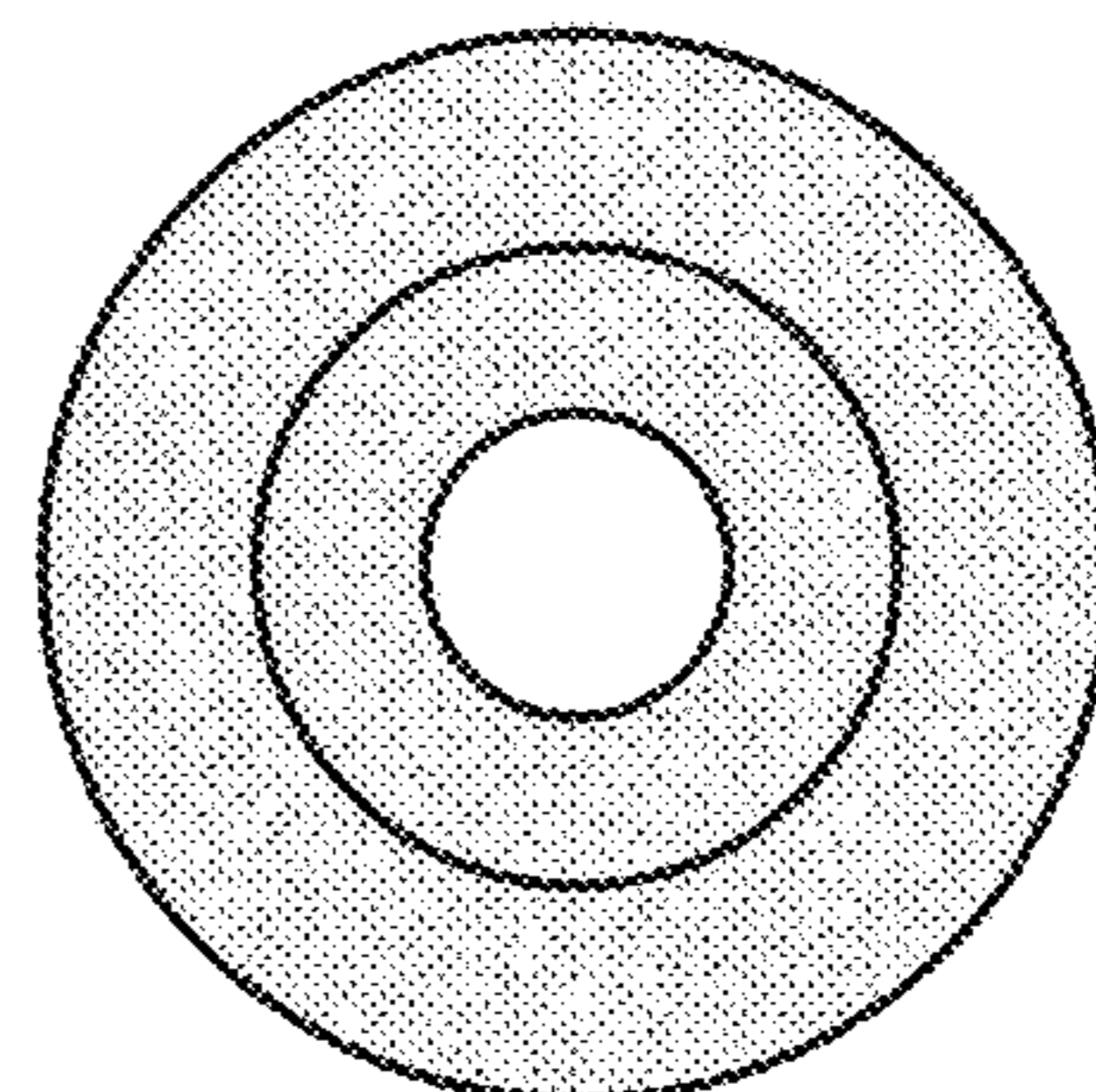


FIG. 6

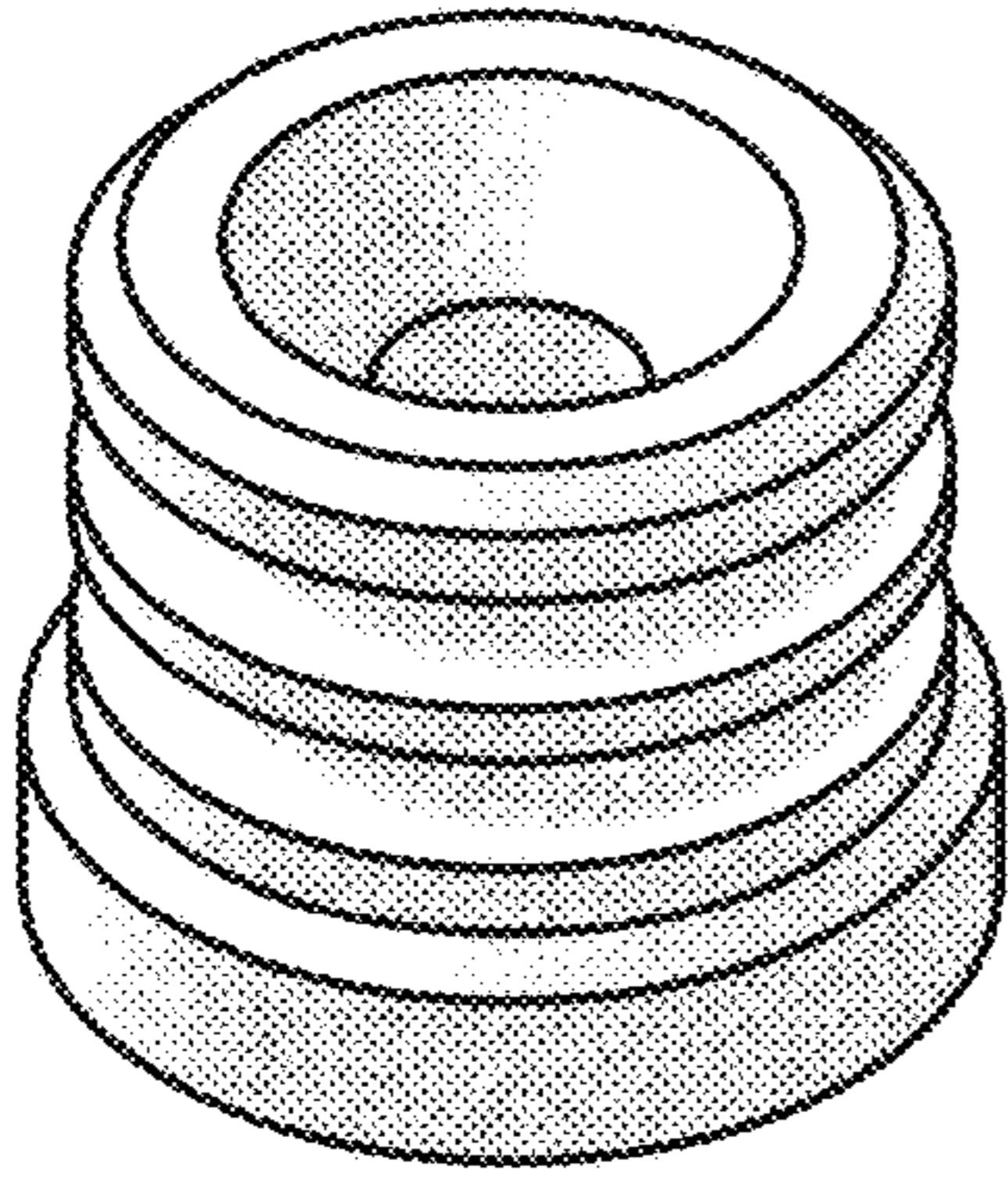


FIG. 7

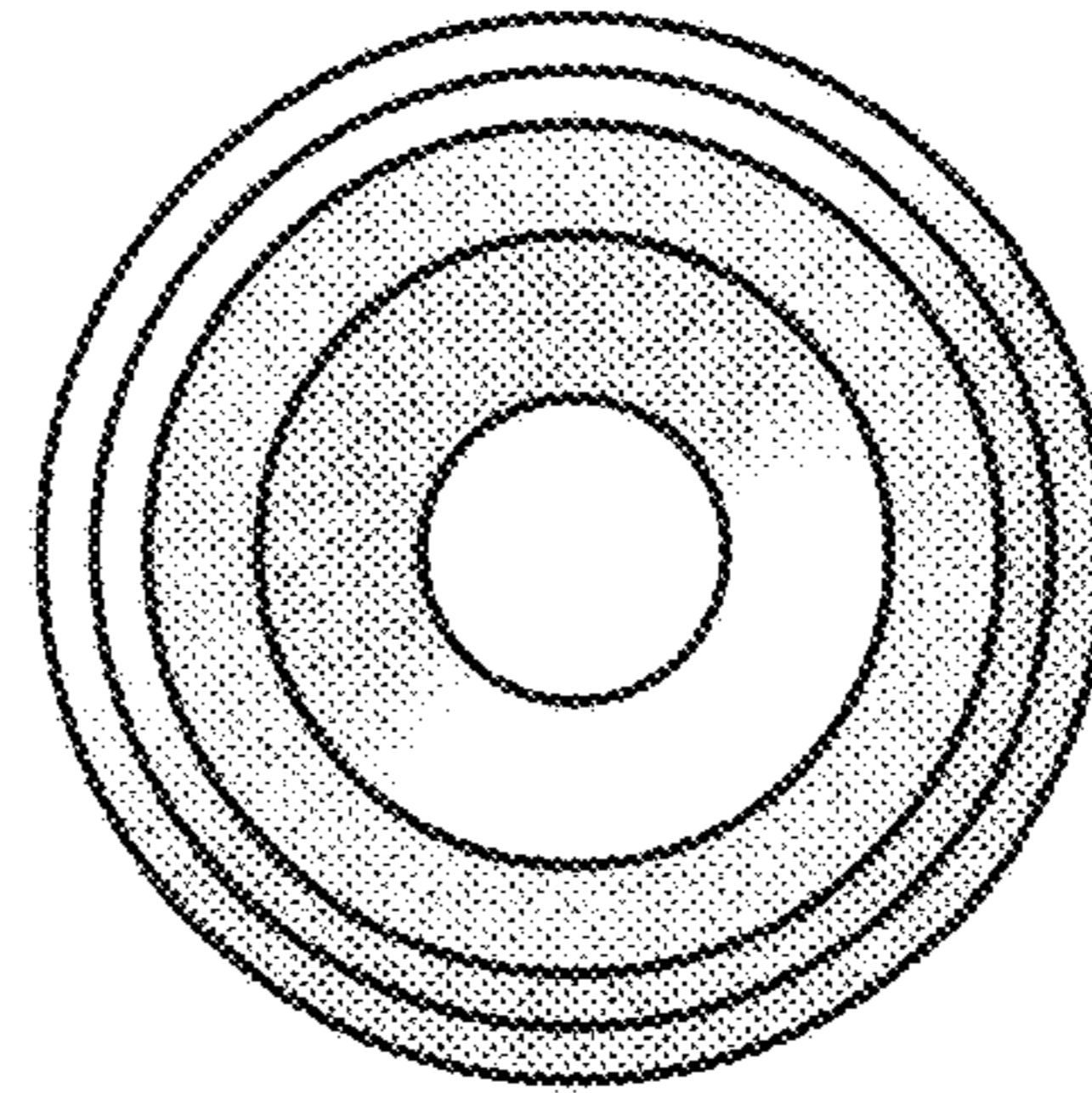


FIG. 8

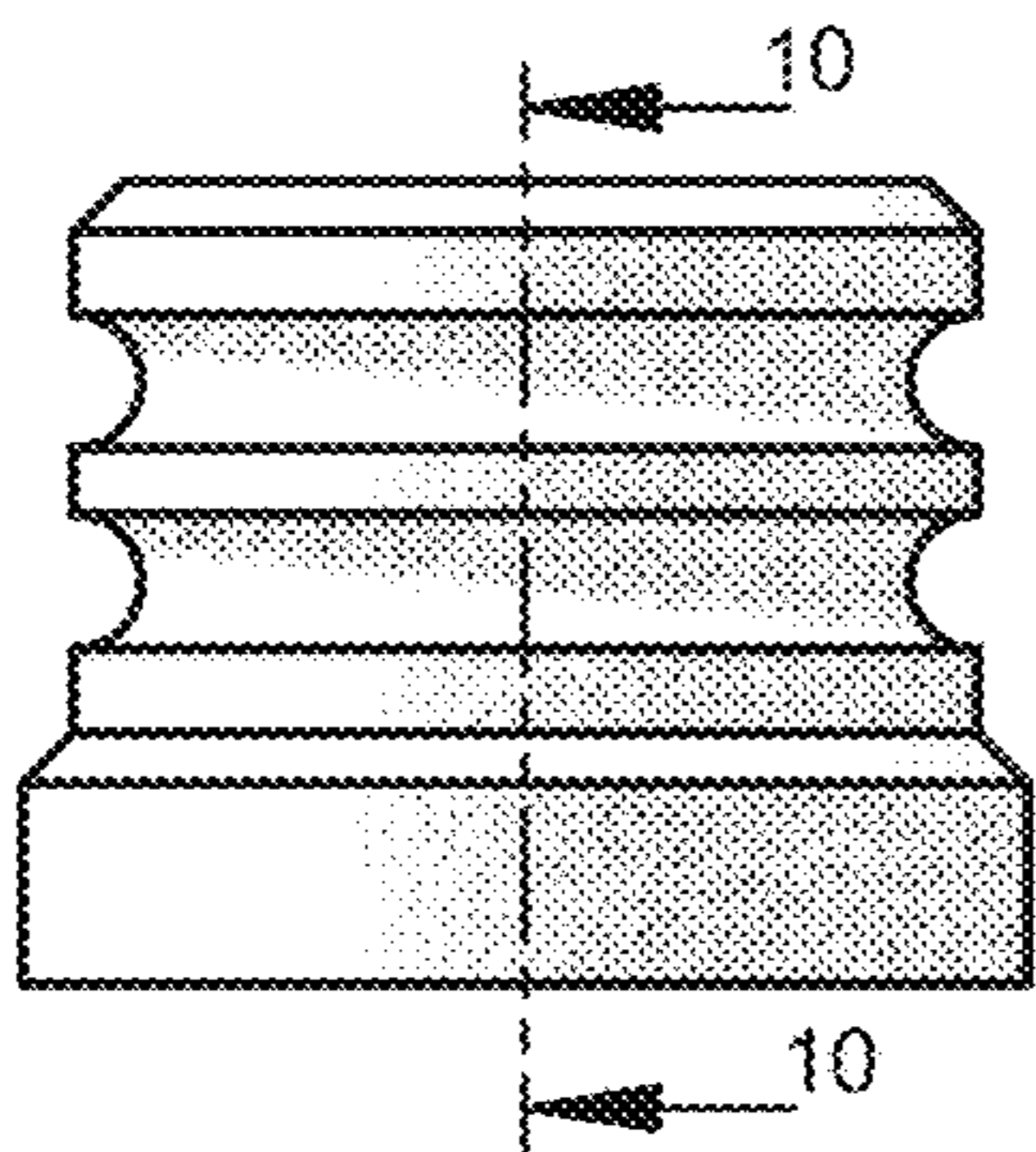


FIG. 9

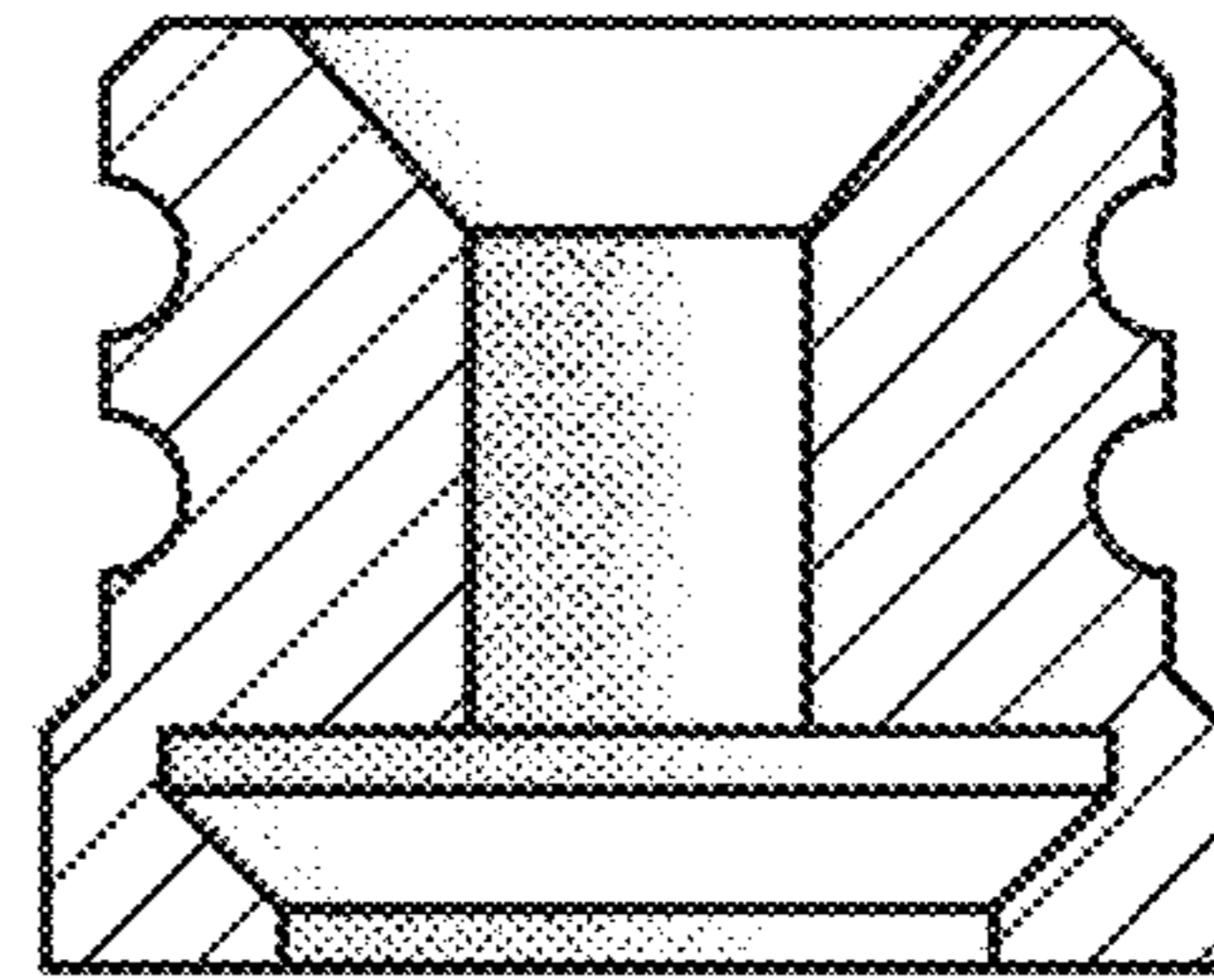


FIG. 10

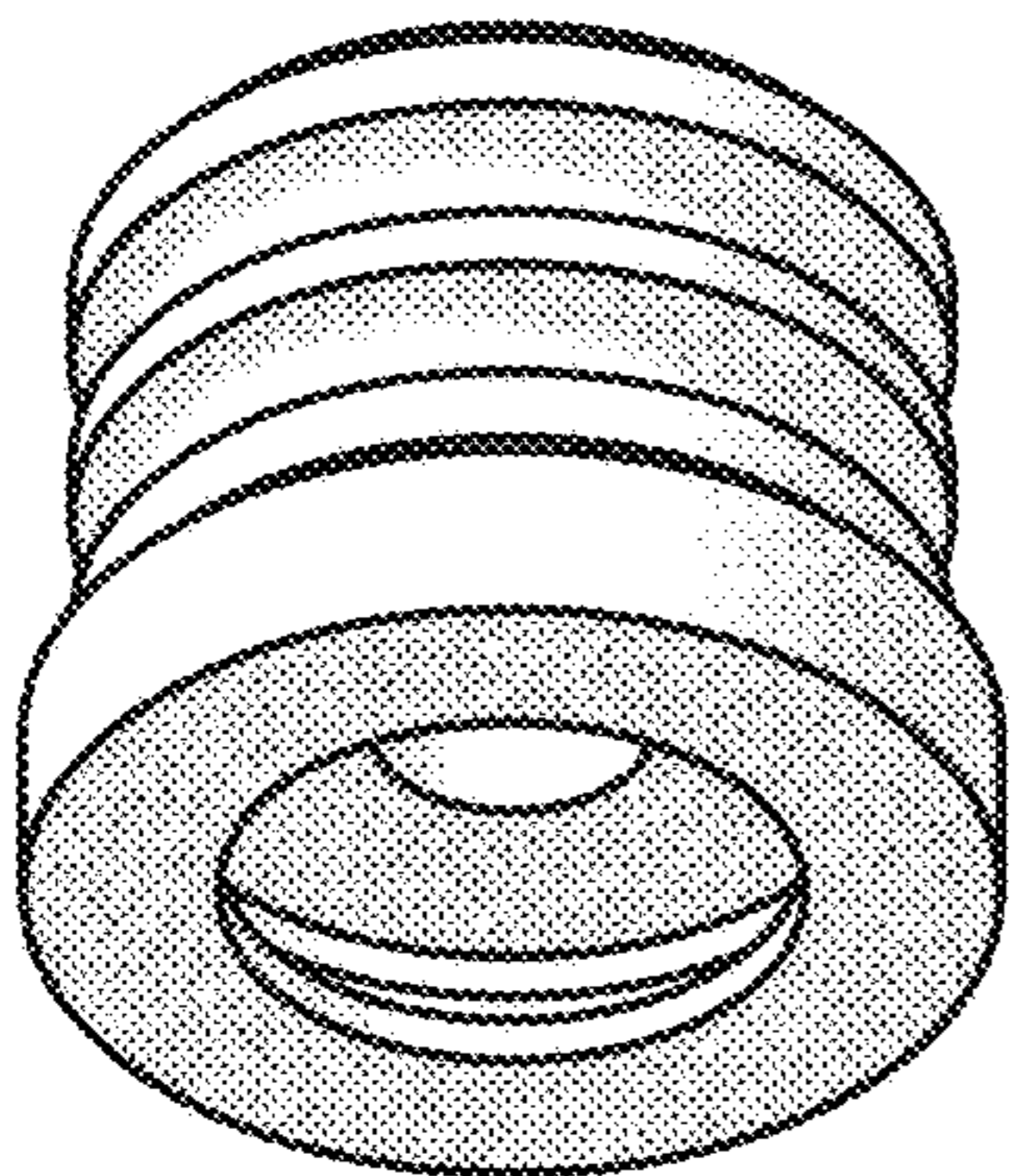


FIG. 11

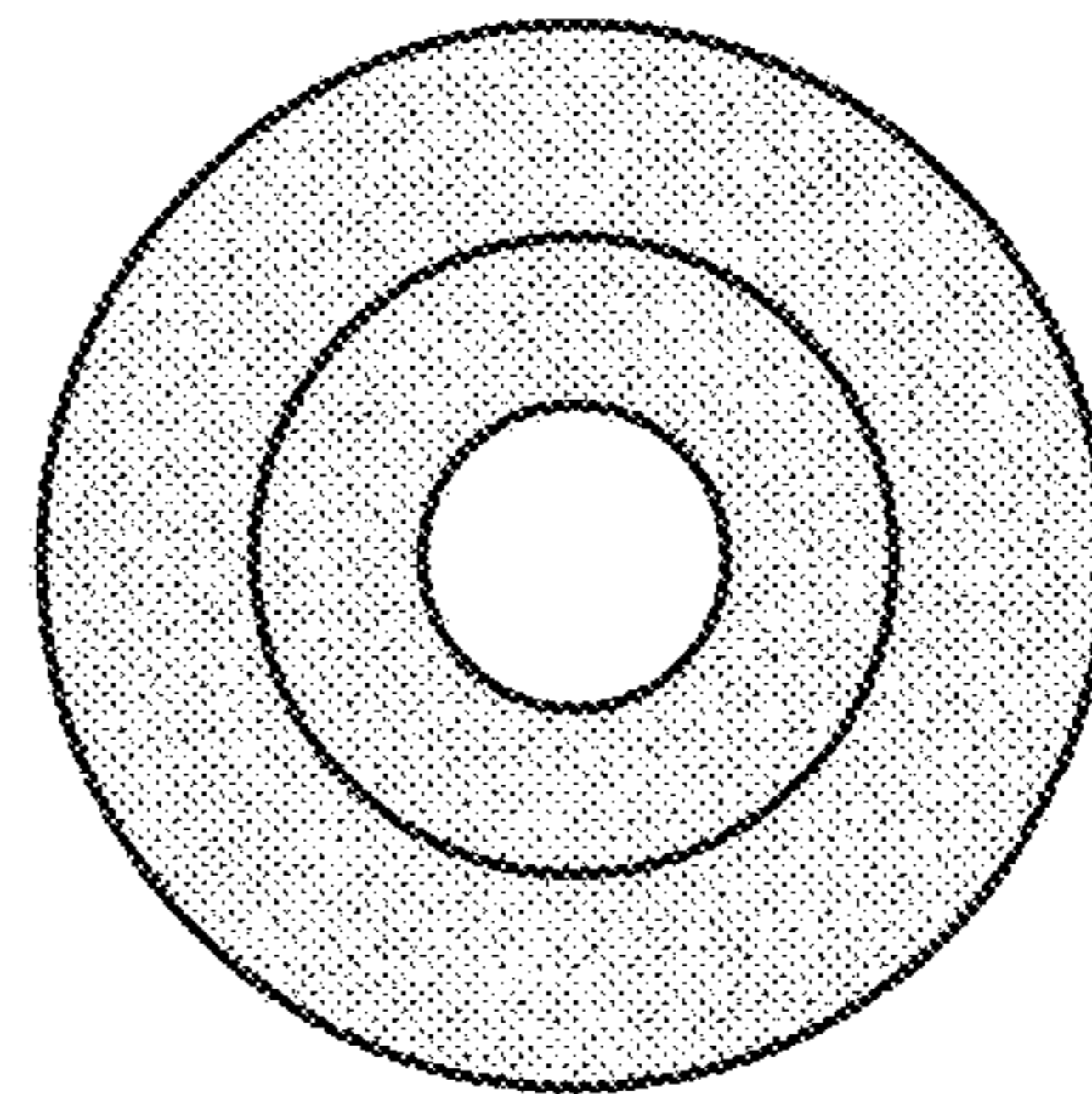


FIG. 12

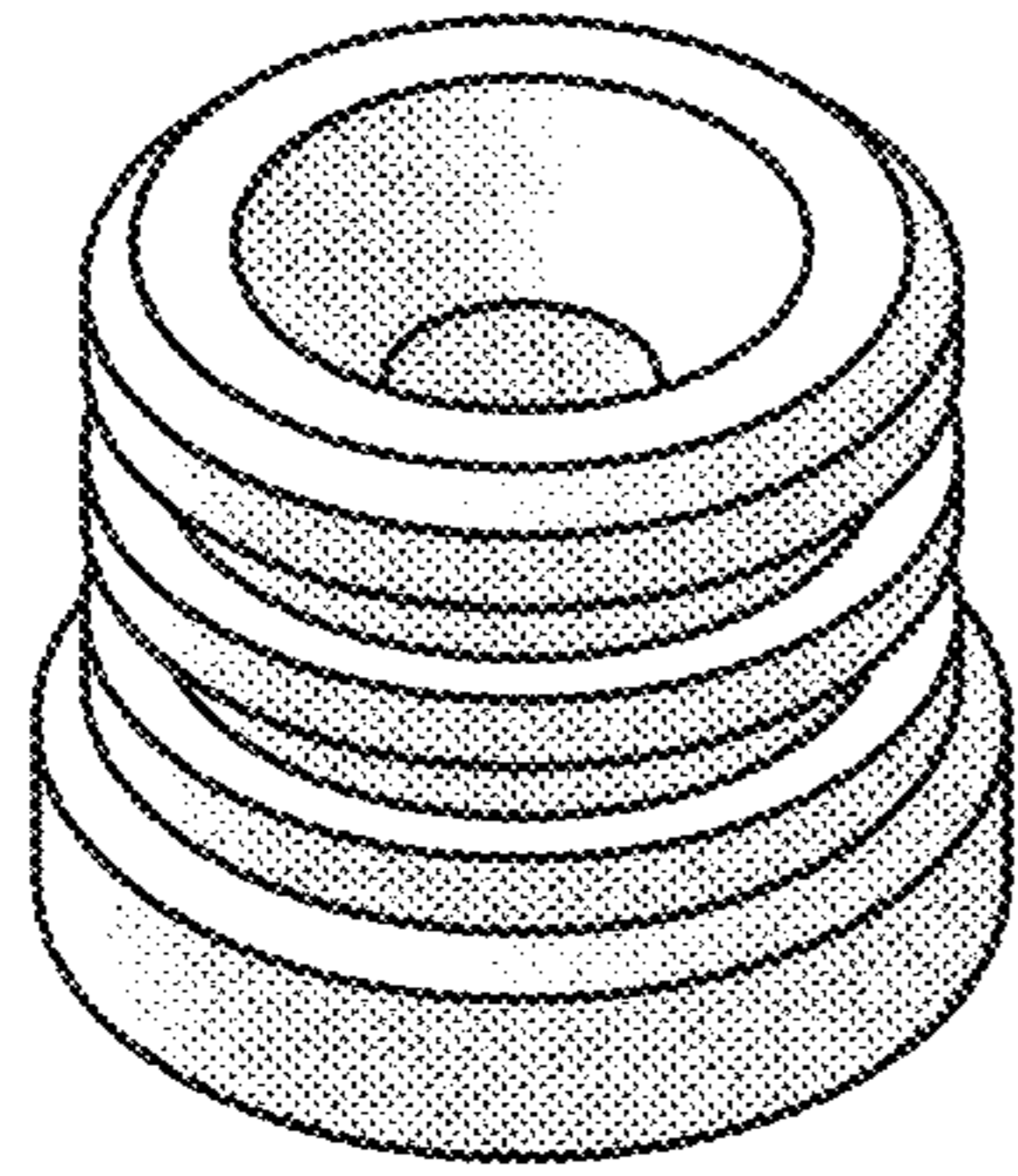


FIG. 13

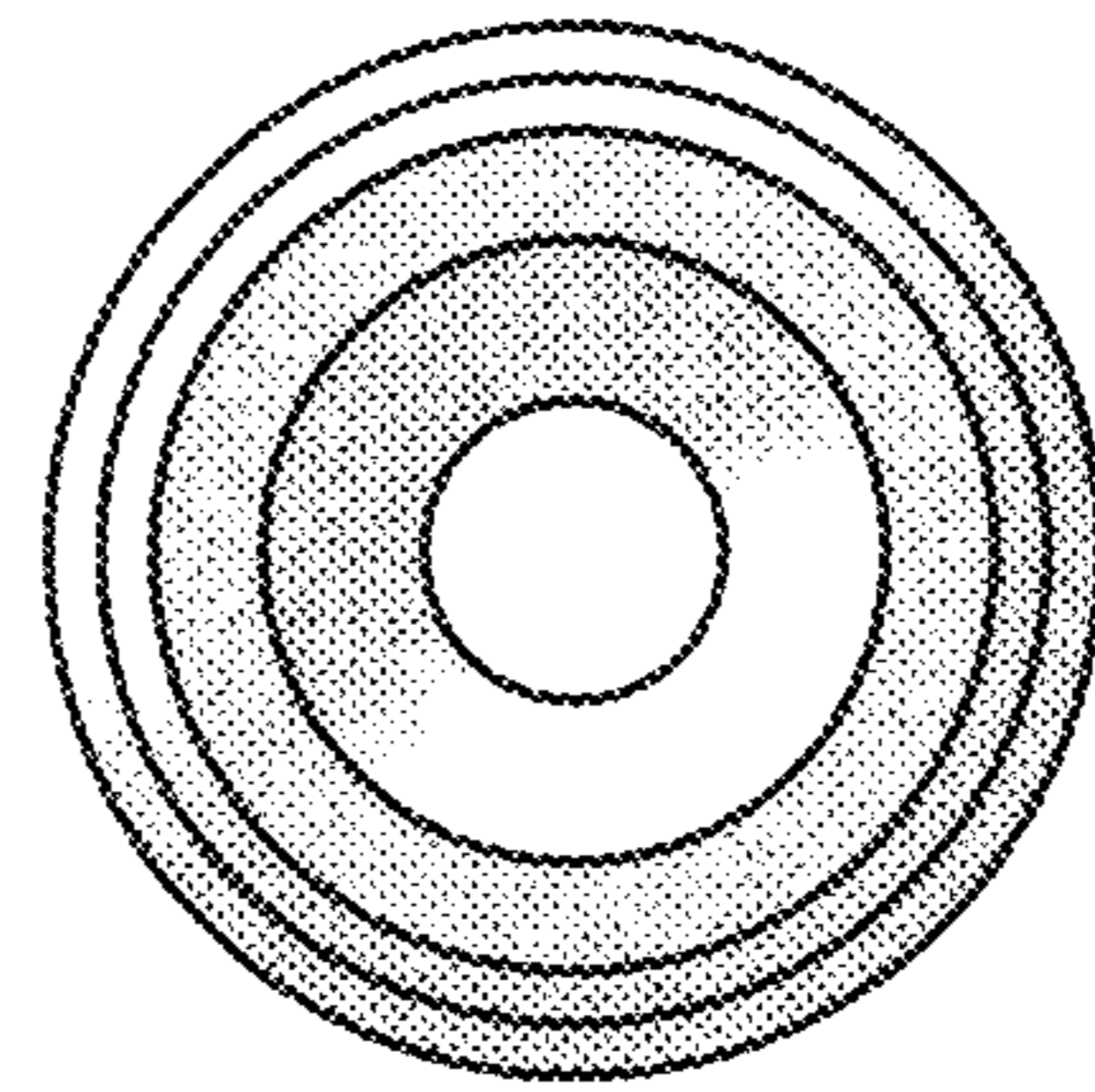


FIG. 14

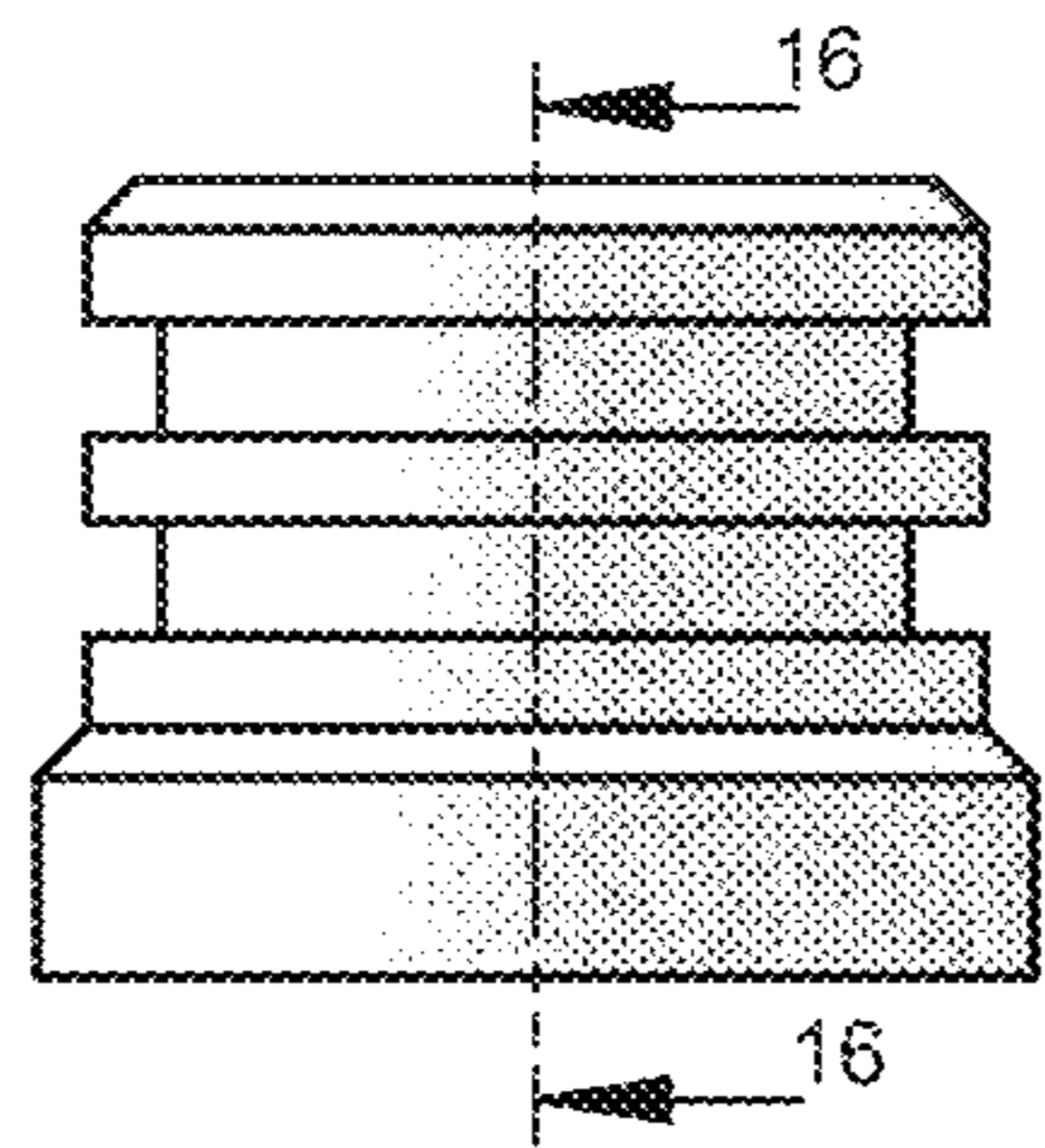


FIG. 15

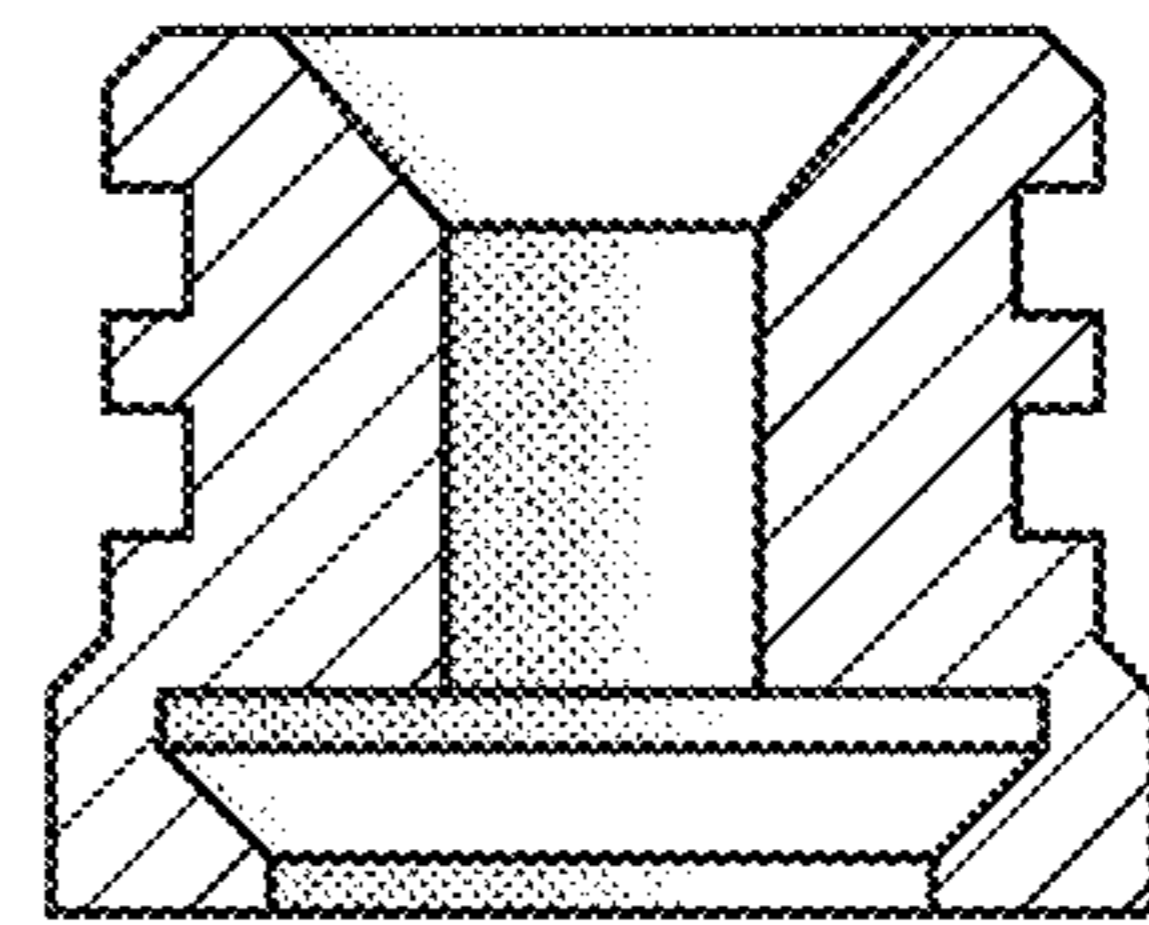


FIG. 16

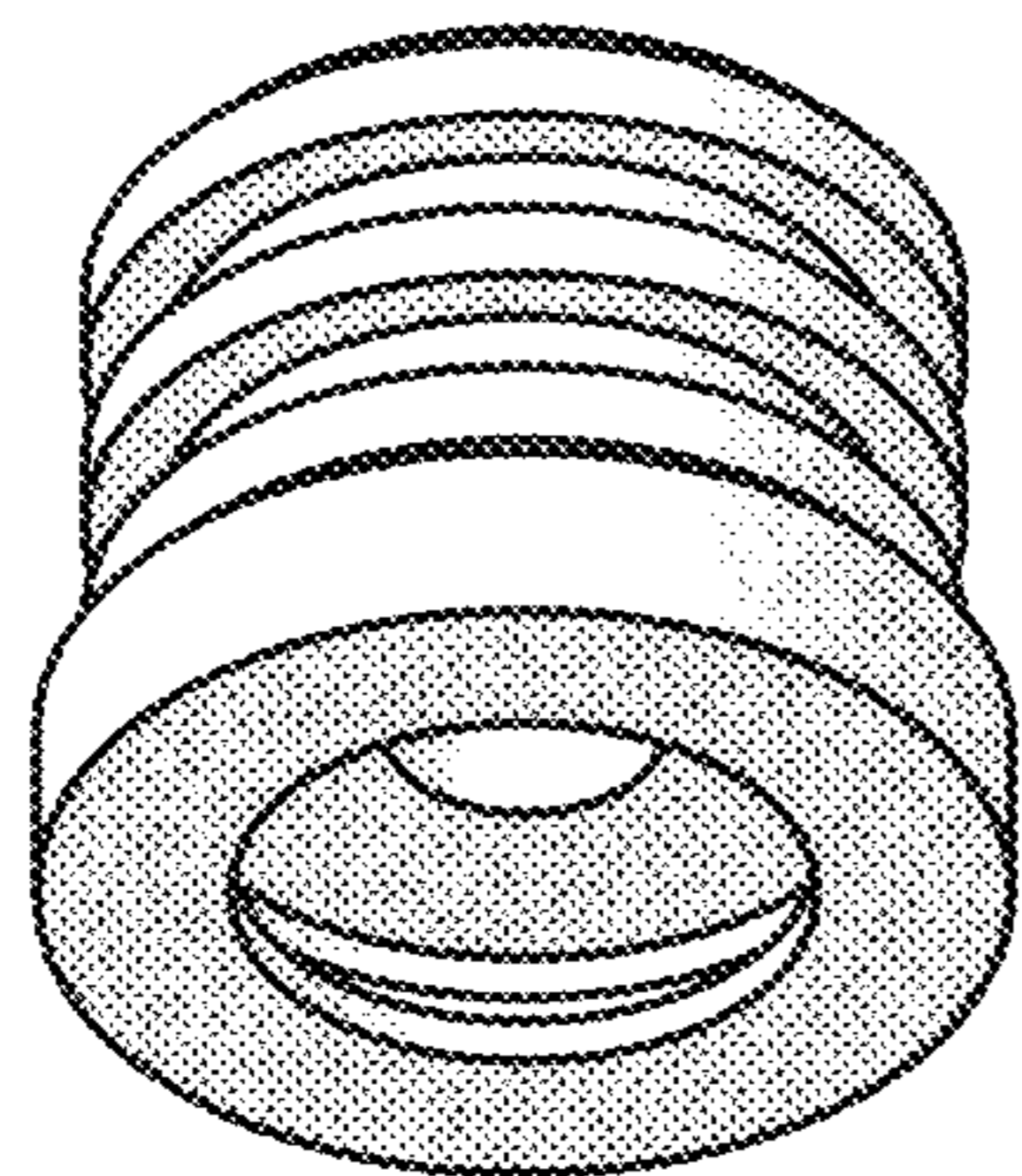


FIG. 17

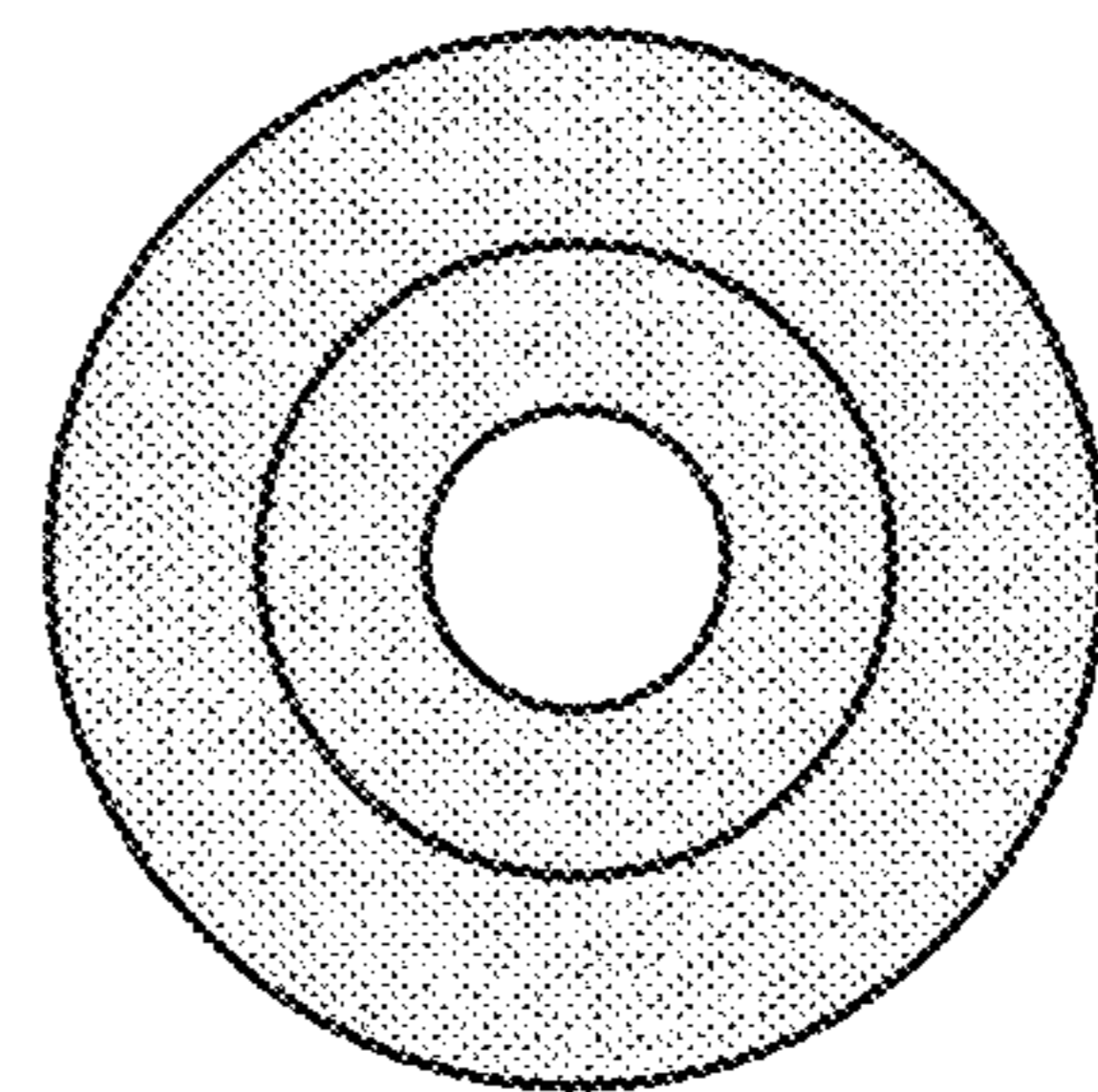


FIG. 18