



US00D800536S

(12) **United States Design Patent** (10) **Patent No.:** **US D800,536 S**  
**Kelley** (45) **Date of Patent:** **\*\* Oct. 24, 2017**

(54) **MOVEABLE BARRIER GATE BRACKET**  
(71) Applicant: **Ghost Controls, LLC**, Tallahassee, FL (US)  
(72) Inventor: **Joseph A. Kelley**, Tallahassee, FL (US)

D760,066 S \* 6/2016 Krenek ..... D8/354  
D761,084 S \* 7/2016 Cox ..... D8/354  
D761,085 S \* 7/2016 Cox ..... D8/354  
D768,466 S \* 10/2016 Simmons ..... D8/354  
2013/0043368 A1\* 2/2013 Hill ..... E04H 17/1421  
248/534

(\*\*) Term: **15 Years**  
(21) Appl. No.: **29/562,790**  
(22) Filed: **Apr. 28, 2016**

**OTHER PUBLICATIONS**

Ghost Controls Universal Tube Gate Bracket Kit, posted at amazon.com, posting date Aug. 1, 2016; [online], [site visited Jan. 30, 2017]. Available from Internet, <URL: https://www.amazon.com/ControlsUniversalBracketAXTBAutomatic/dp/B011A65GQS>.\*

(51) **LOC (10) Cl.** ..... **08-05**  
(52) **U.S. Cl.**  
USPC ..... **D8/354**

\* cited by examiner

(58) **Field of Classification Search**  
USPC ..... D8/354, 349, 373, 380; D9/434, 435; 248/300, 519, 302, 304, 475.1, 316.1; 403/232.1, 381; 256/65.05  
CPC ..... E06B 11/02; E06B 3/984; E06B 11/04; E06B 3/9641; E06B 3/9687; E06B 11/022; E06B 2003/7063; E06B 2009/002; E06B 3/9649; E06B 9/04  
See application file for complete search history.

*Primary Examiner* — George D. Kirschbaum  
*Assistant Examiner* — Maria J Edwards  
(74) *Attorney, Agent, or Firm* — The Rapacke Law Group, P.A.; Andrew S. Rapacke

(57) **CLAIM**

The ornamental design for a moveable barrier gate bracket, as shown and described.

**DESCRIPTION**

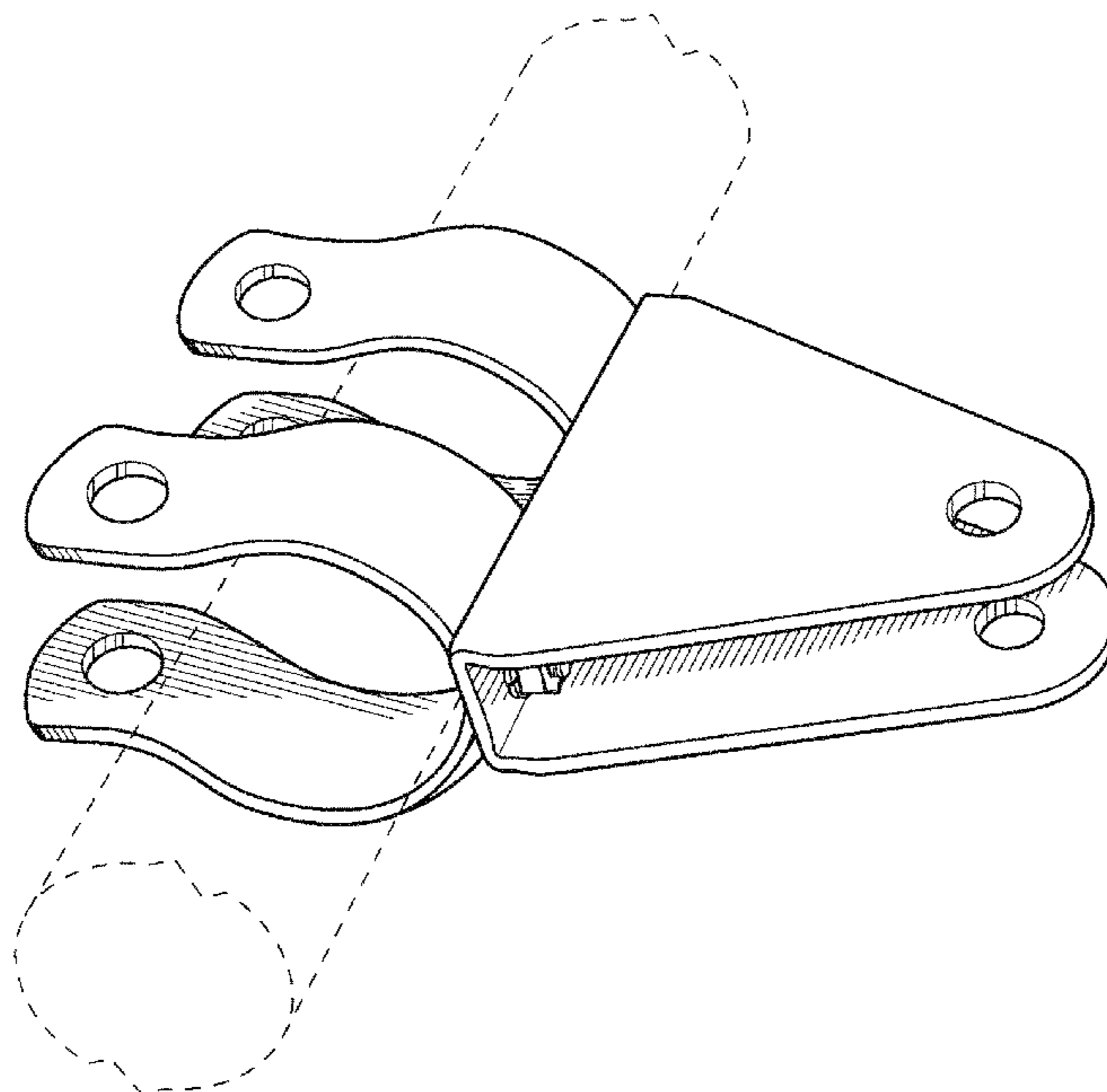
(56) **References Cited**

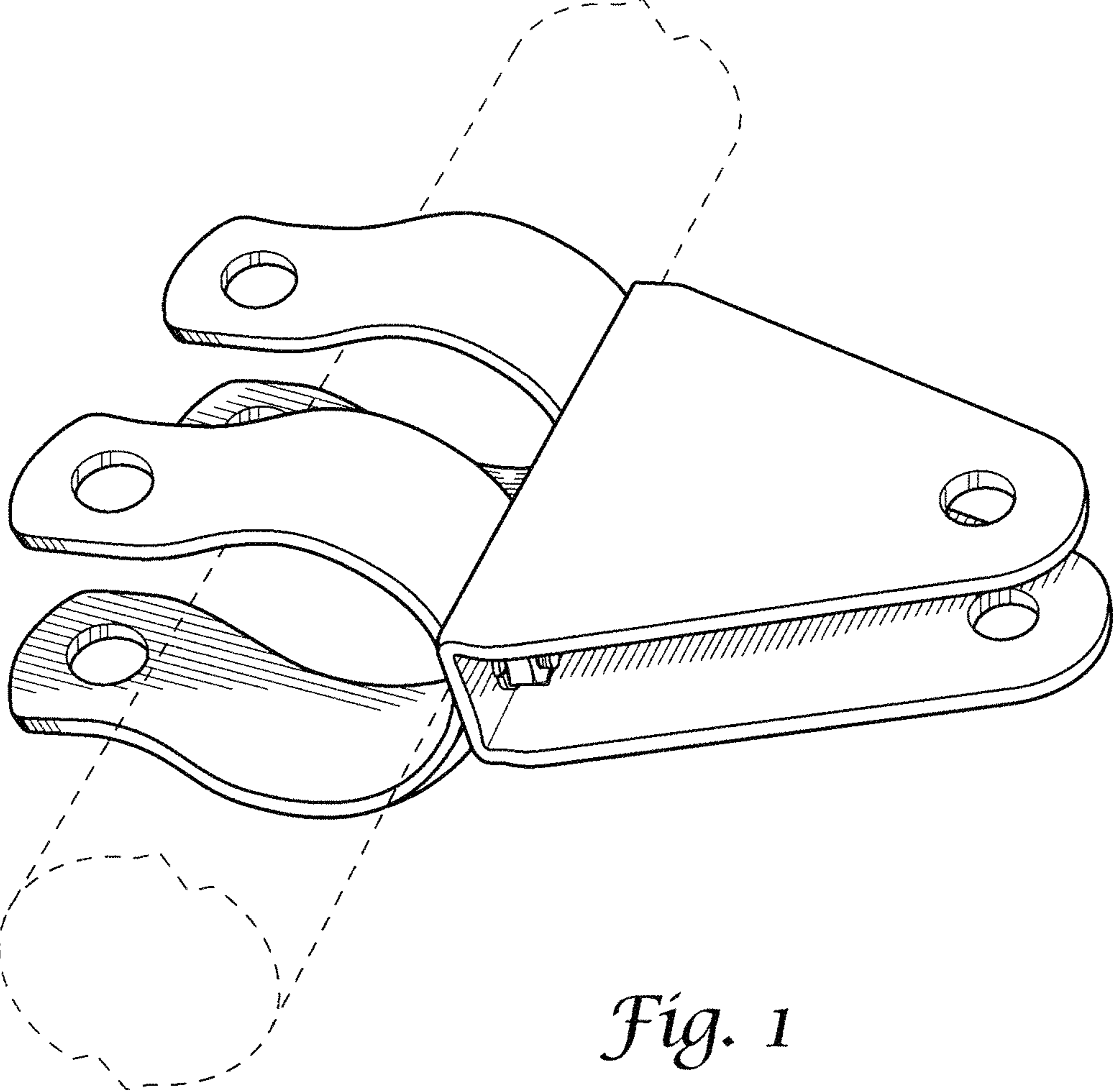
**U.S. PATENT DOCUMENTS**

1,441,559 A \* 1/1923 Burhen ..... E06B 3/984  
403/205  
D190,173 S \* 4/1961 Potter ..... D8/354  
D227,742 S \* 7/1973 Logsdon ..... D8/354  
D394,999 S \* 6/1998 Phillip ..... D8/380  
D420,566 S \* 2/2000 Ely ..... D8/354  
D665,656 S \* 8/2012 Anzelmo ..... D8/380  
D695,593 S \* 12/2013 Nunez Farfan ..... D8/354  
D730,719 S \* 6/2015 Sundberg ..... D8/354  
D742,213 S \* 11/2015 Sasanecki ..... D8/396  
D744,319 S \* 12/2015 White ..... D8/354

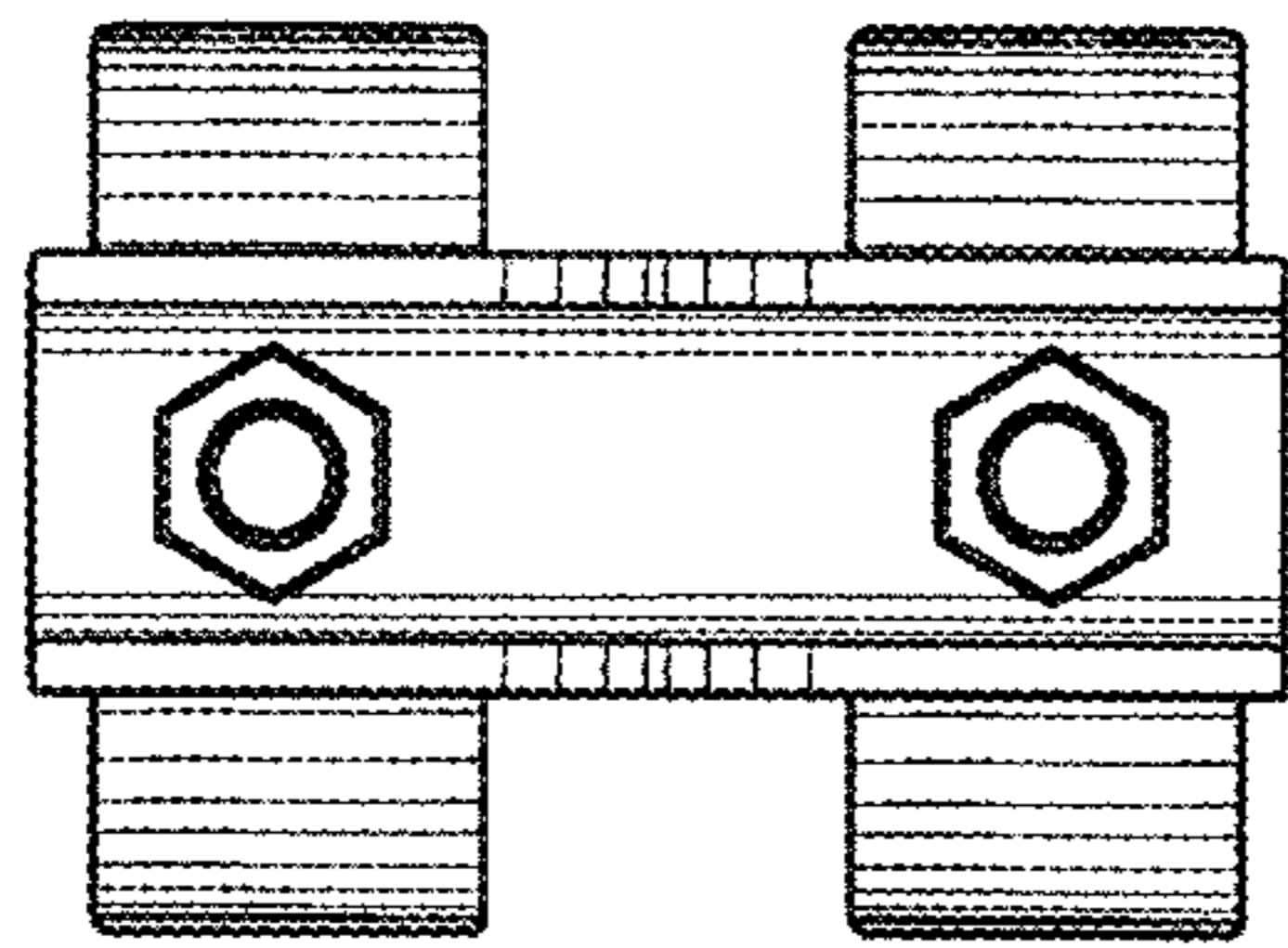
FIG. 1 is a perspective view of the moveable barrier gate bracket;  
FIG. 2 is a front view thereof;  
FIG. 3 is a rear view thereof;  
FIG. 4 is a top view thereof; and,  
FIG. 5 is a left side view thereof.  
Please note the bottom view is a mirror image of the top view shown in FIG. 4 and the right side view is a mirror image of the left side view shown in FIG. 5. The broken lines in the drawings illustrate environmental subject matter and form no part of the claimed design.

**1 Claim, 2 Drawing Sheets**

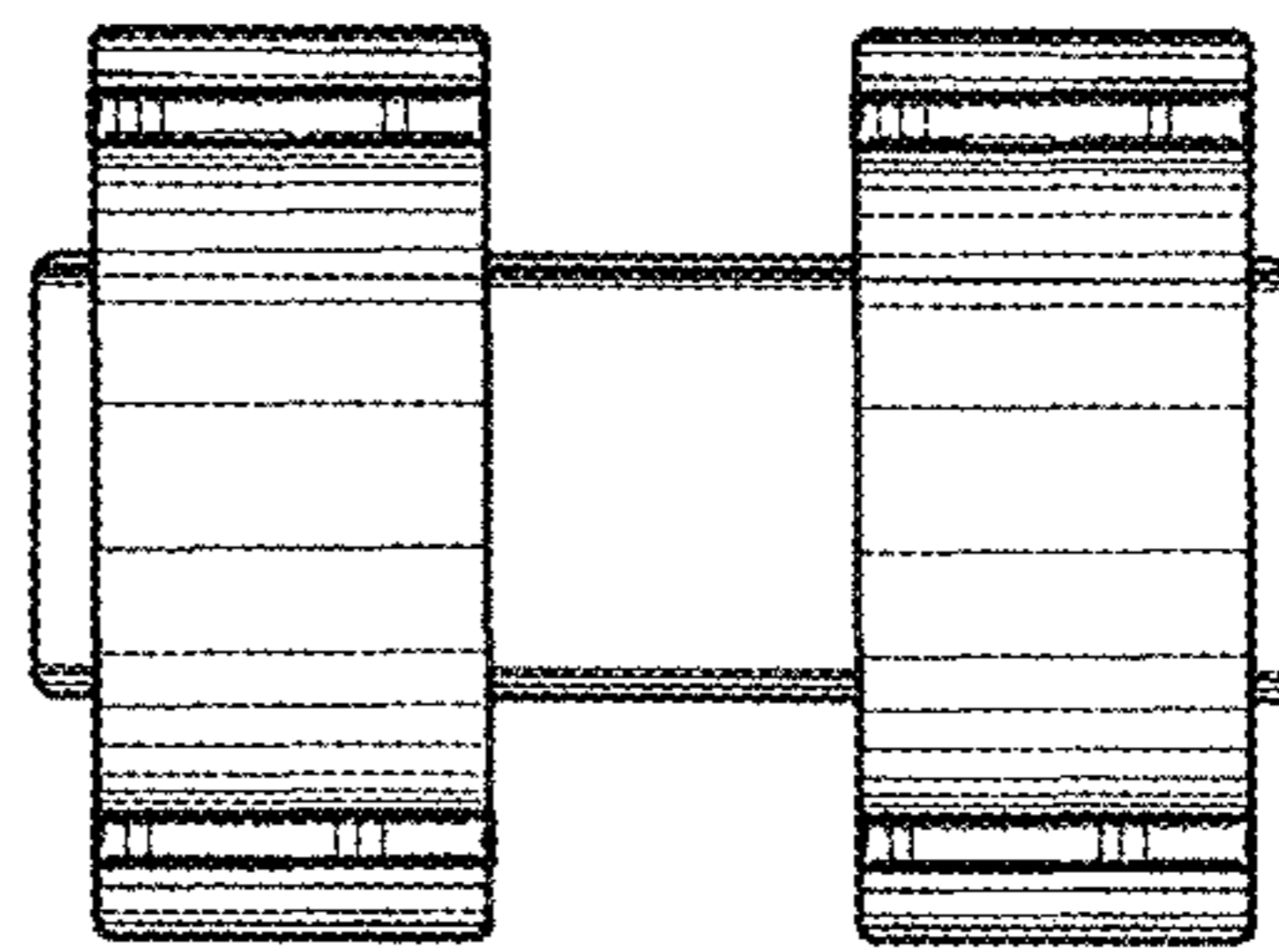




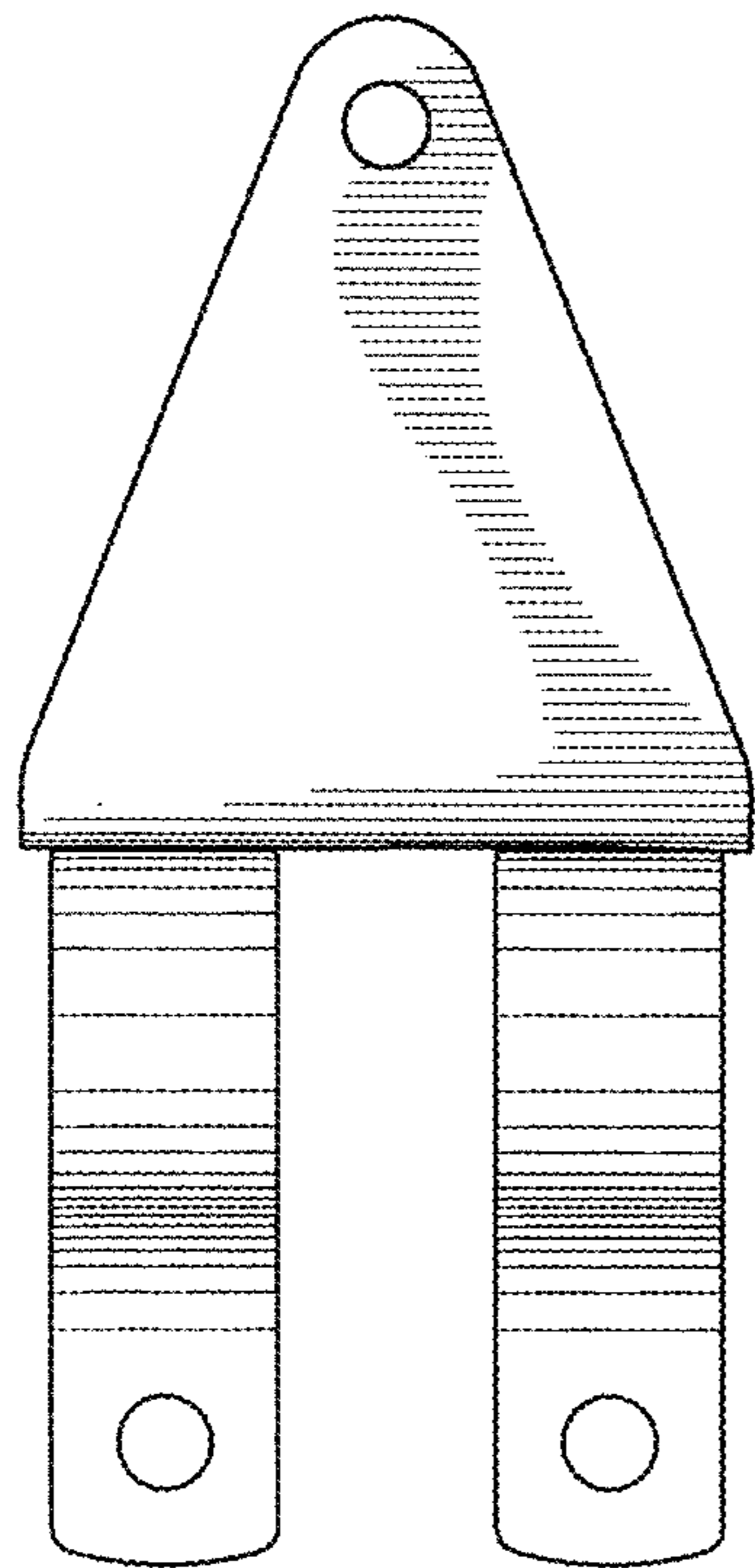
*Fig. 1*



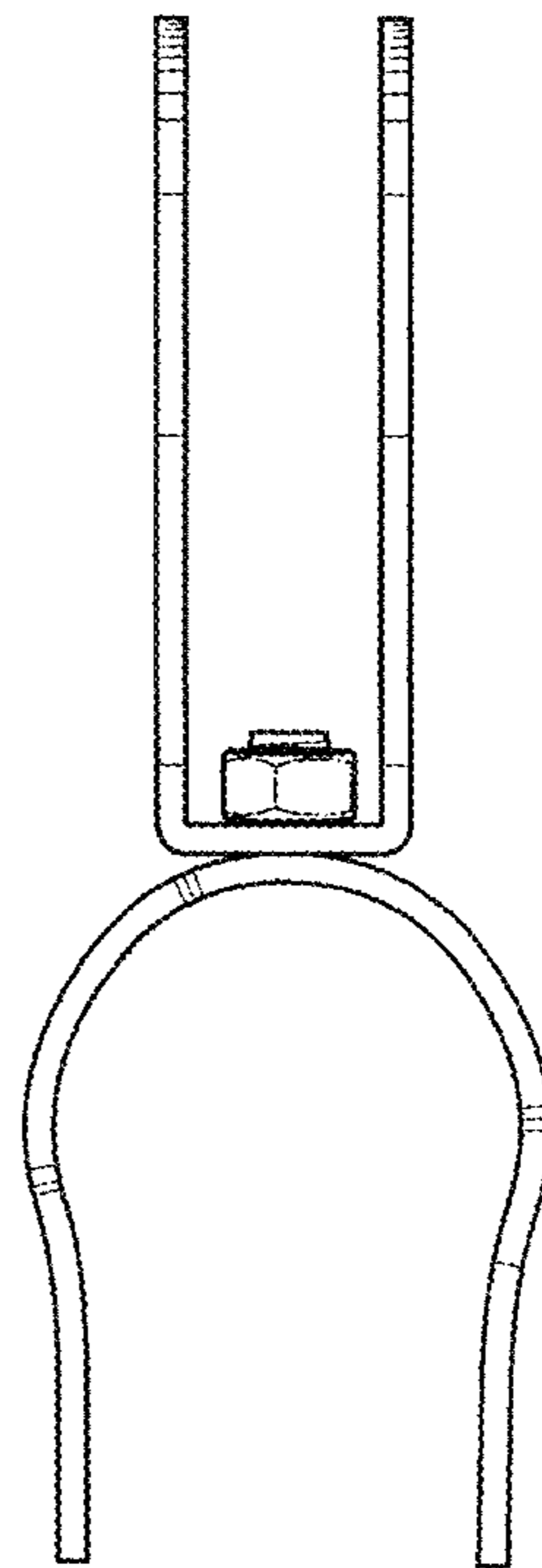
*Fig. 2*



*Fig. 3*



*Fig. 4*



*Fig. 5*