



(12) **United States Design Patent**
Marsden

(10) **Patent No.:** **US D800,534 S**
(45) **Date of Patent:** **** Oct. 24, 2017**

- (54) **DRAWER LATCH**
- (71) Applicant: **Elbee Pty Ltd.**, Bondi Junction (AU)
- (72) Inventor: **Andrew Marsden**, Hingham, MA (US)
- (73) Assignee: **Elbee Pty Ltd.**, Bondi Junction (AU)
- (**) Term: **15 Years**
- (21) Appl. No.: **29/581,418**
- (22) Filed: **Oct. 19, 2016**

5,312,143 A 5/1994 Buckner
 D400,076 S 10/1998 Jancsek et al.
 5,851,286 A * 12/1998 Ozaki C30B 15/14
 117/201

(Continued)

OTHER PUBLICATIONS

U.S. Appl. No. 29/537,463, filed Aug. 26, 2015, Marsden.

Primary Examiner — Prabhakar Deshmukh
 (74) *Attorney, Agent, or Firm* — Wolf, Greenfield & Sacks, P.C.

(57) **CLAIM**

The ornamental design for a drawer latch, as shown and described.

DESCRIPTION

FIG. 1 is an top, front and right perspective view of a drawer latch showing my new design;
 FIG. 2 is an exploded perspective view of FIG. 1;
 FIG. 3 is a bottom, rear and right perspective view thereof;
 FIG. 4 is an exploded perspective view of FIG. 3;
 FIG. 5 is a bottom, front and right perspective view thereof;
 FIG. 6 is an exploded perspective view of FIG. 5;
 FIG. 7 is a top, rear and right perspective view thereof;
 FIG. 8 is an exploded perspective view of FIG. 7;
 FIG. 9 is a right side elevation view thereof;
 FIG. 10 is an exploded right side elevation view of FIG. 9;
 FIG. 11 is a left side elevation view thereof;
 FIG. 12 is an exploded left side elevation view of FIG. 11;
 FIG. 13 is a top plan view thereof;
 FIG. 14 is a bottom plan view thereof;
 FIG. 15 is an enlarged front elevation view thereof;
 FIG. 16 is an exploded front elevation view of FIG. 15;
 FIG. 17 is an enlarged rear elevation view thereof; and,
 FIG. 18 is an exploded rear elevation view of FIG. 17.
 The broken lines illustrate portions of the drawer latch that form no part of the claimed design.

Related U.S. Application Data

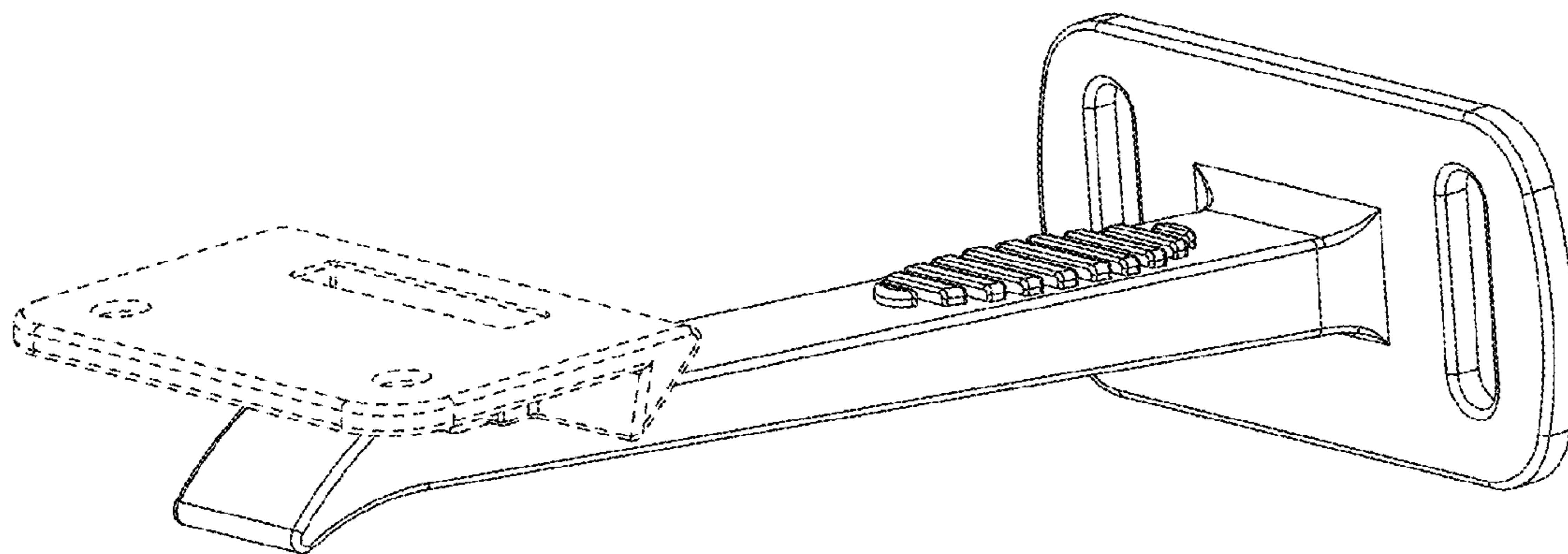
- (63) Continuation of application No. 29/537,463, filed on Aug. 26, 2015, now Pat. No. Des. 775,509.
- (51) **LOC (10) Cl.** **08-07**
- (52) **U.S. Cl.**
USPC **D8/331; D8/330**
- (58) **Field of Classification Search**
USPC D8/330, 331, 336, 339, 343, 349, 350, D8/354, 382, 400, 300, 301, 302; 70/14, 70/51, 52, 57, 57.1, 67, 69, 78, 85, 86, 70/88, 141, 262, 263, 431, 218, 221, 203; 292/32, 358, 359, DIG. 68, DIG. 30, 137, 292/106, 108, 336.3; 312/294, 333, 312/334.1, 330.1, 351.1
CPC E05B 3/00; E05B 9/00; E05B 2009/004; E05B 47/00; E05B 55/00; E05B 15/00; E05C 7/00; E05C 19/08
See application file for complete search history.

(56) **References Cited**

U.S. PATENT DOCUMENTS

2,689,777 A 9/1954 Wolters
 D292,171 S * 10/1987 Berg D8/306

1 Claim, 18 Drawing Sheets



(56)

References Cited

U.S. PATENT DOCUMENTS

6,032,004	A *	2/2000	Mirabella, Jr.	G03B 27/52 324/207.2
D471,076	S	3/2003	Radel	
6,955,380	B1	10/2005	Barr	
7,121,638	B1 *	10/2006	Eggert	B25H 3/028 312/332.1
D568,716	S	5/2008	Littrell et al.	
7,552,950	B2 *	6/2009	Scheffy	E05B 65/46 292/100
7,758,134	B2	7/2010	Huang	
7,866,192	B2	1/2011	Gianelo	
8,032,053	B2	10/2011	Atwood et al.	
8,136,849	B2 *	3/2012	Hakemann	E05C 3/124 292/100
8,678,528	B2	3/2014	Domenig et al.	
8,944,537	B1	2/2015	Manalang et al.	
8,983,653	B2	3/2015	Barrett et al.	
D727,714	S	4/2015	Gherlenda	

* cited by examiner

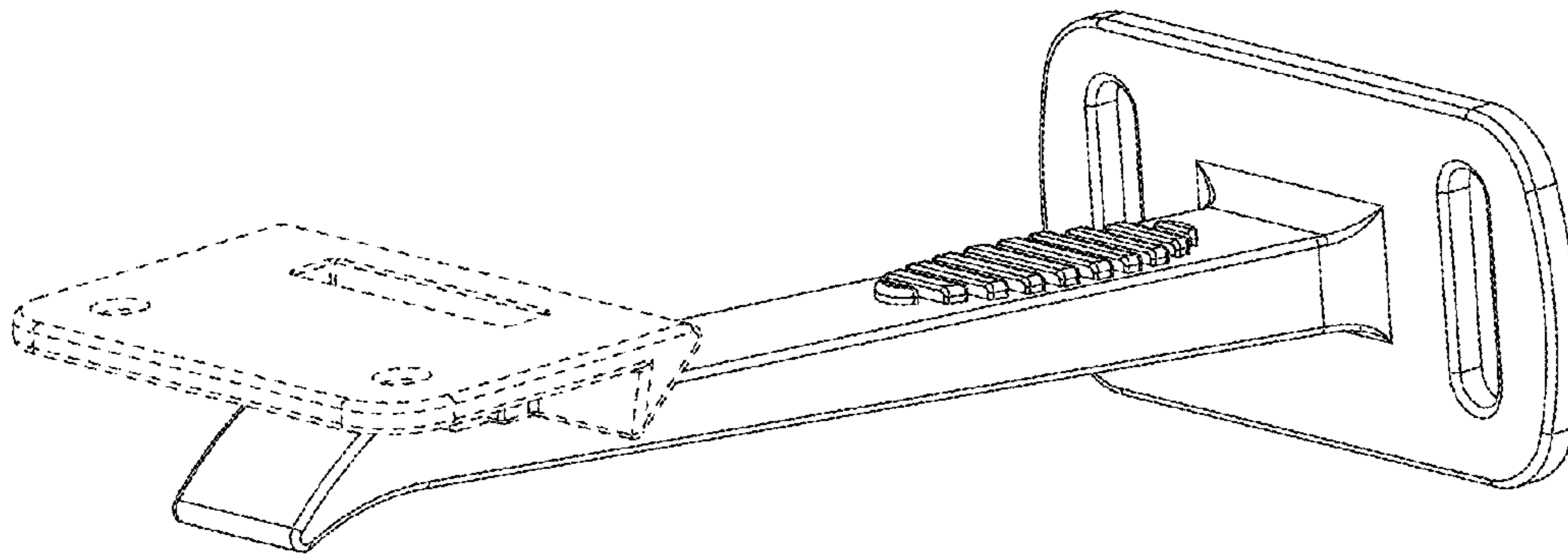


FIG. 1

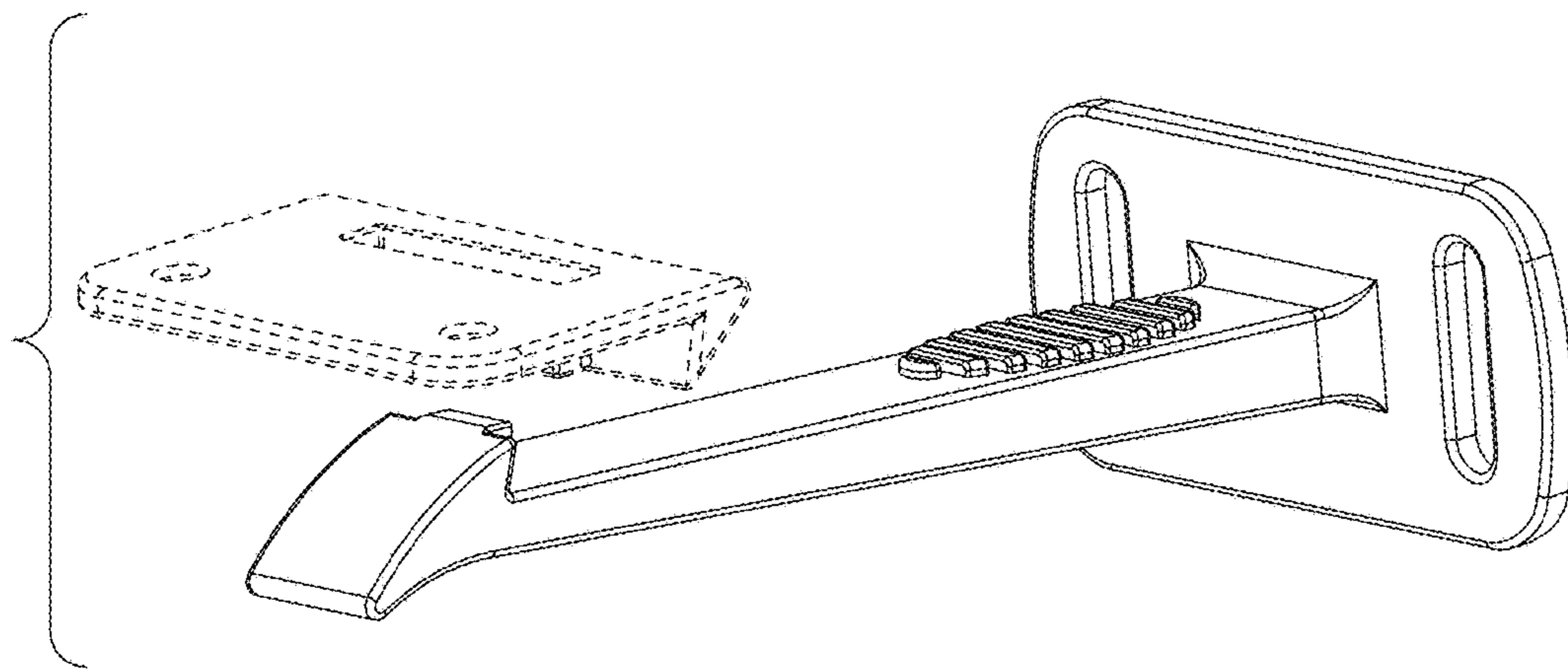


FIG. 2

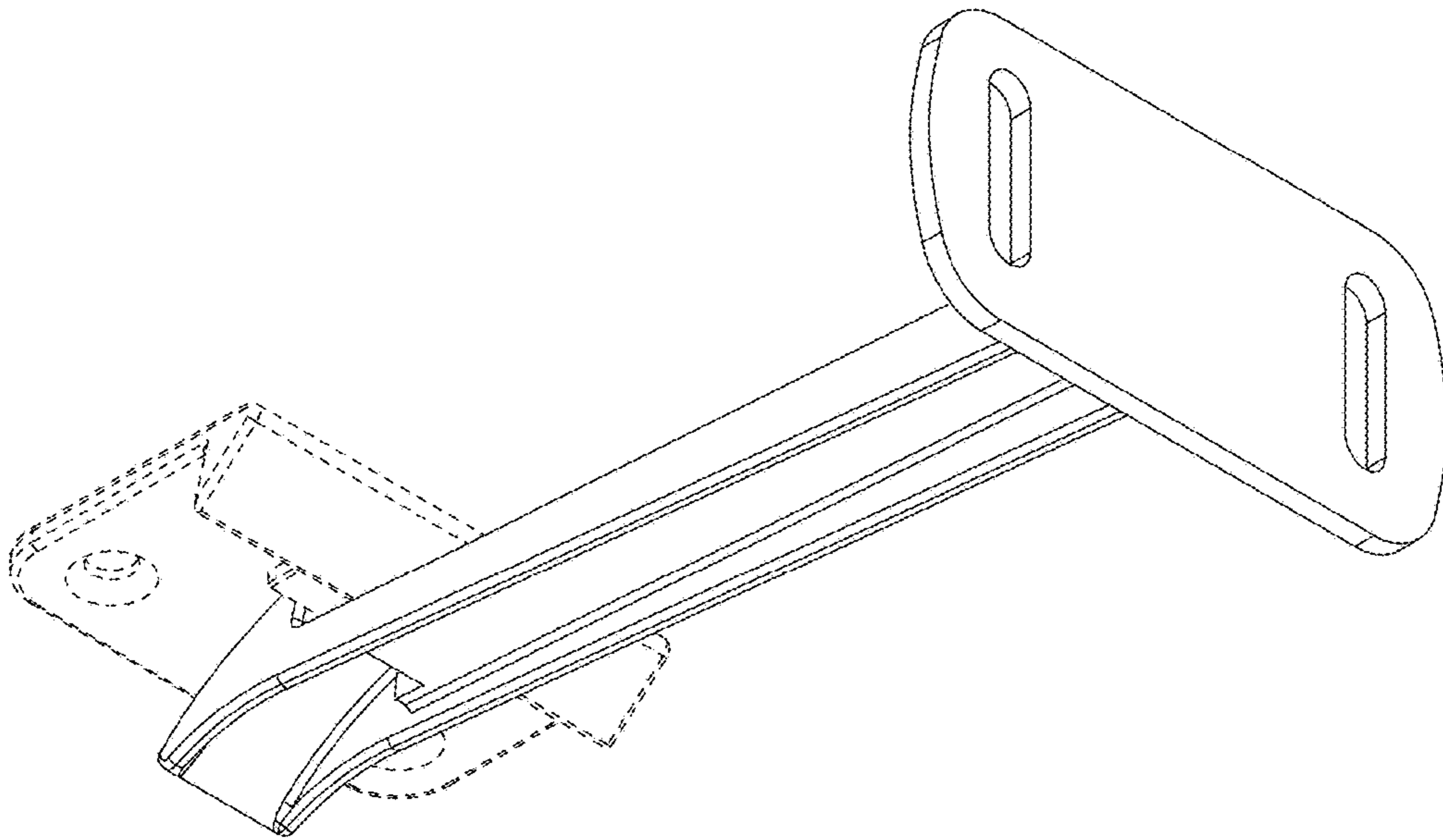


FIG. 3

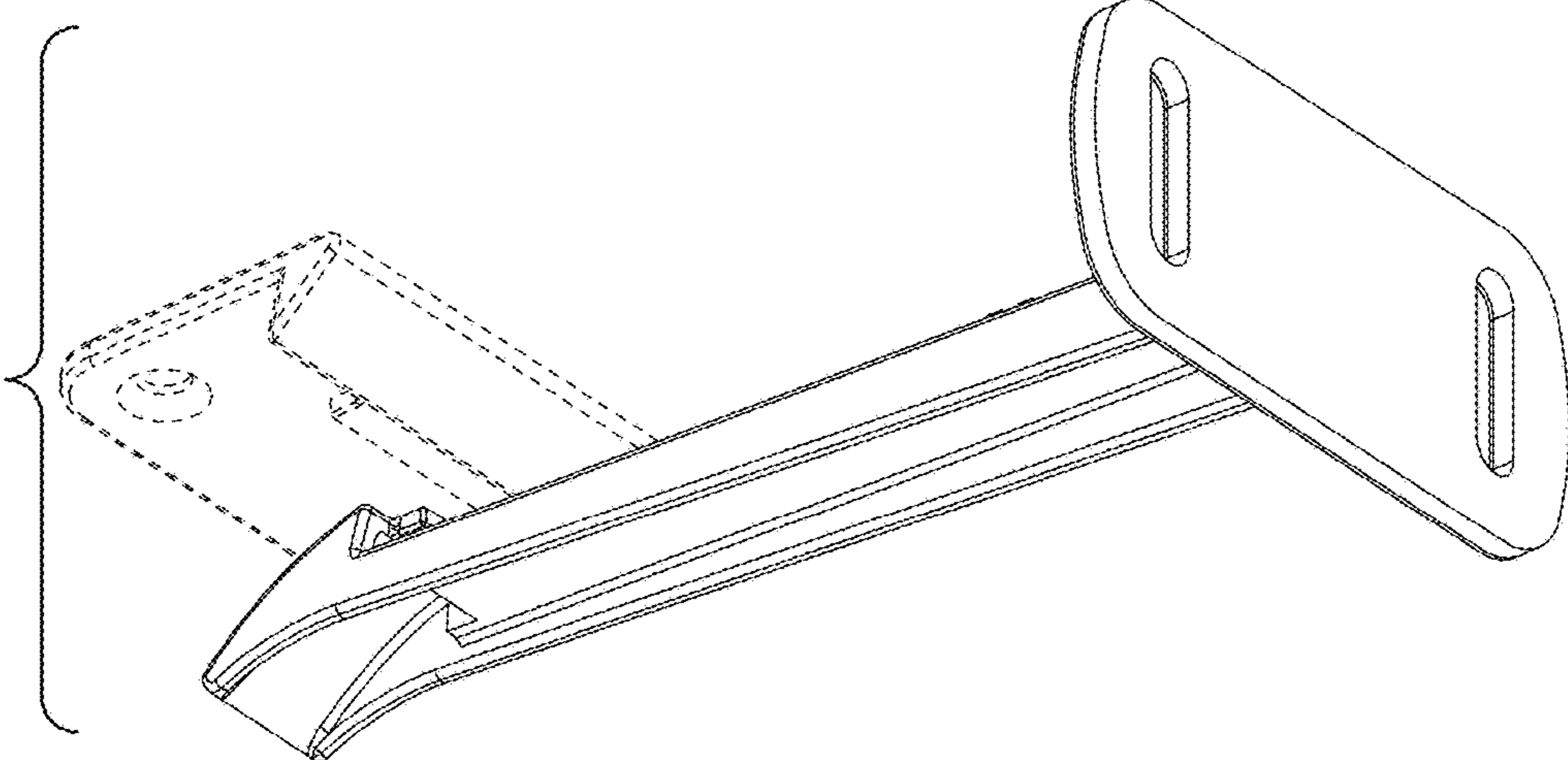


FIG. 4

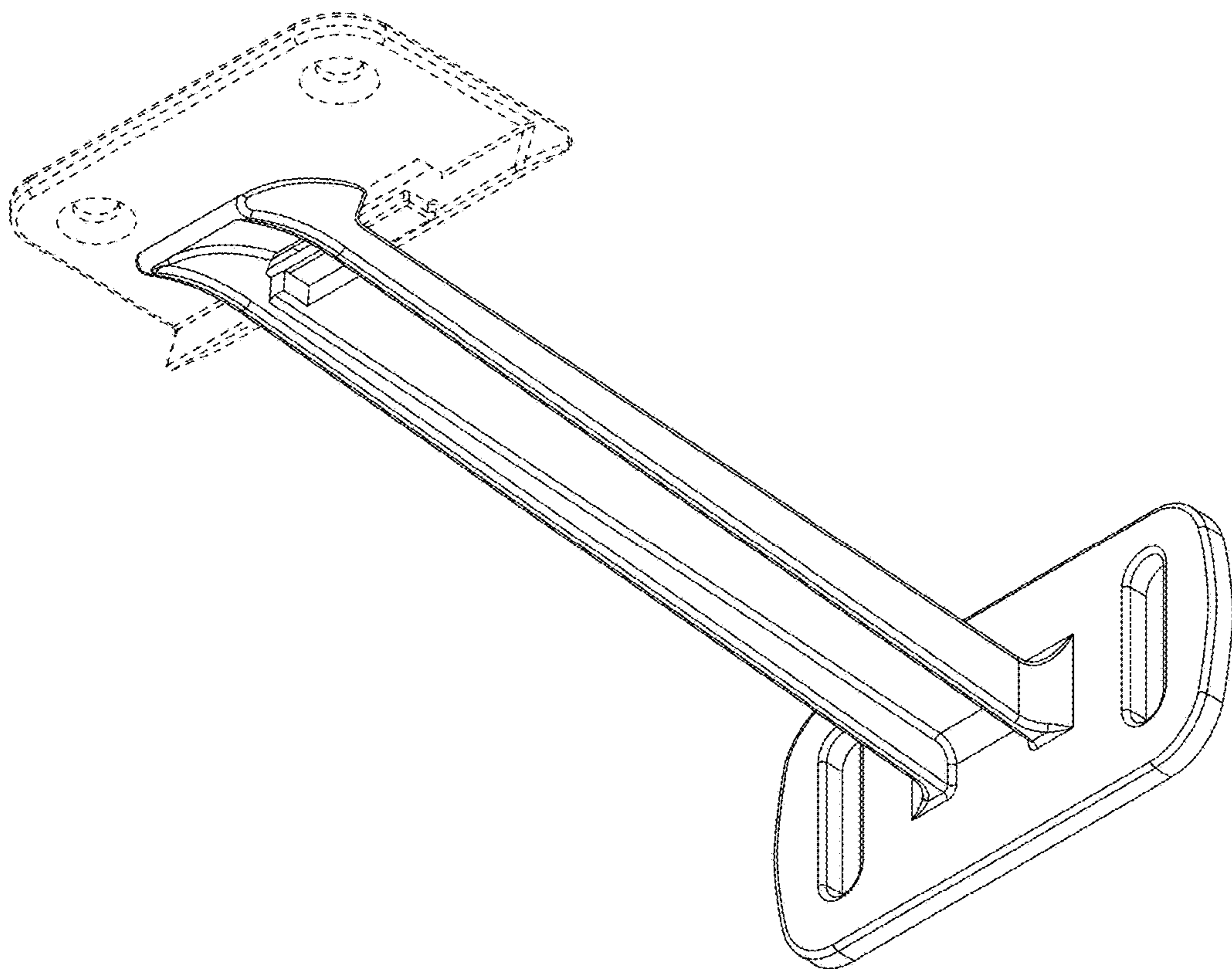


FIG. 5

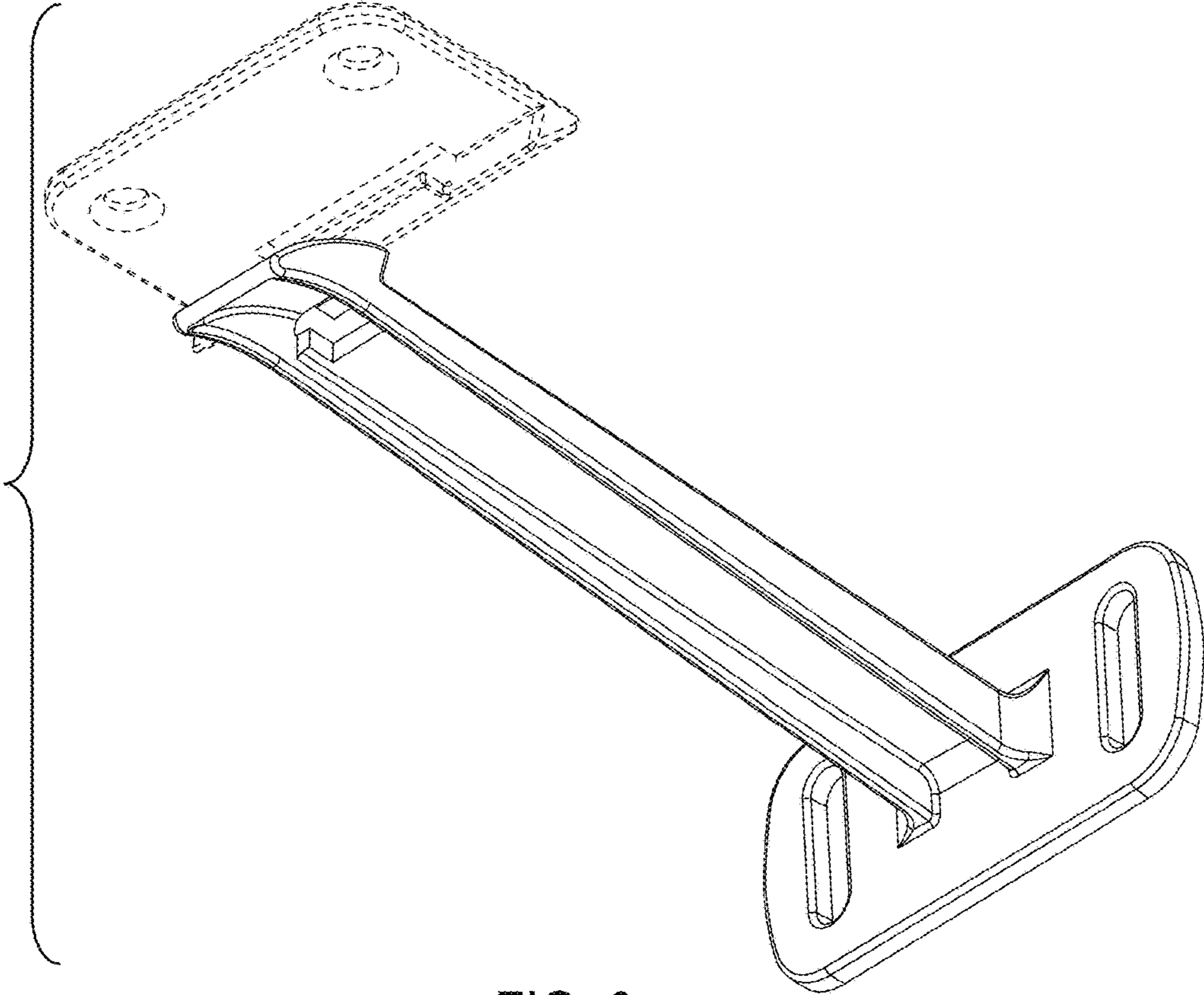


FIG. 6

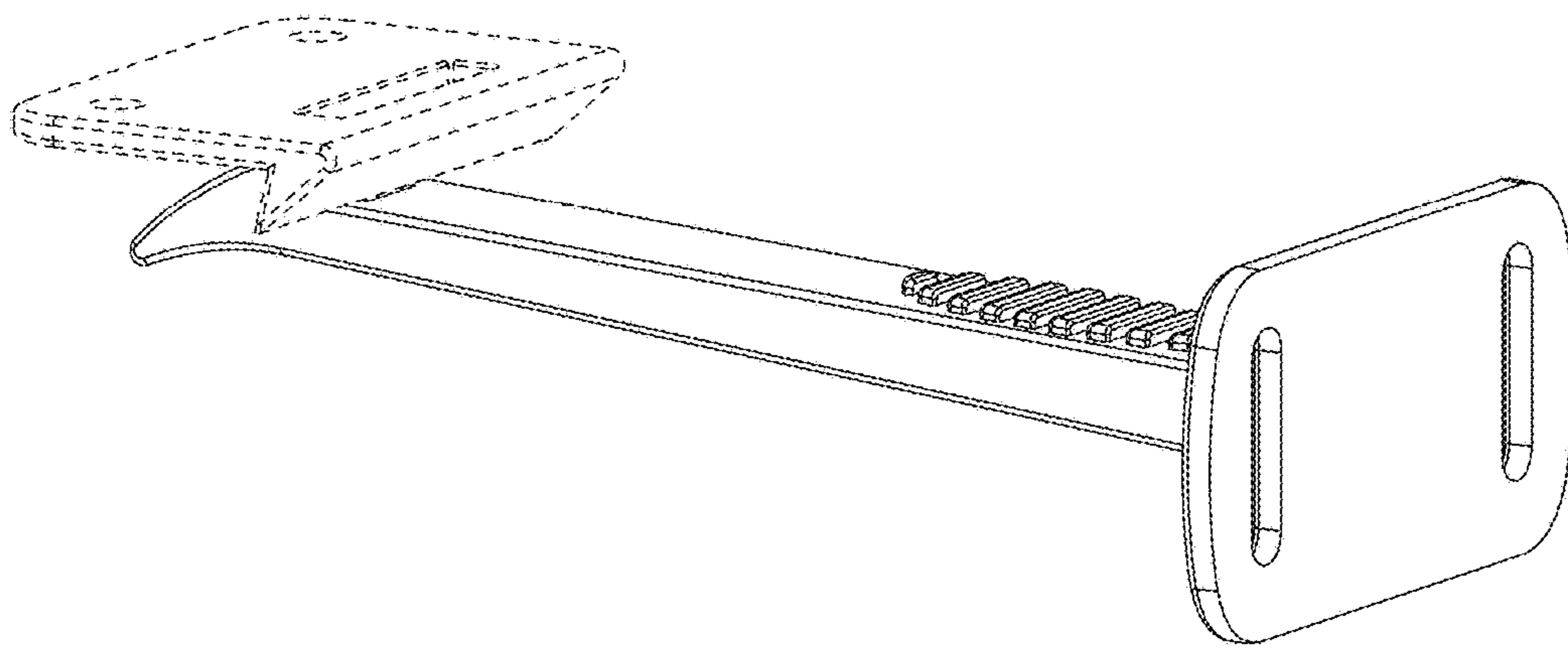


FIG. 7

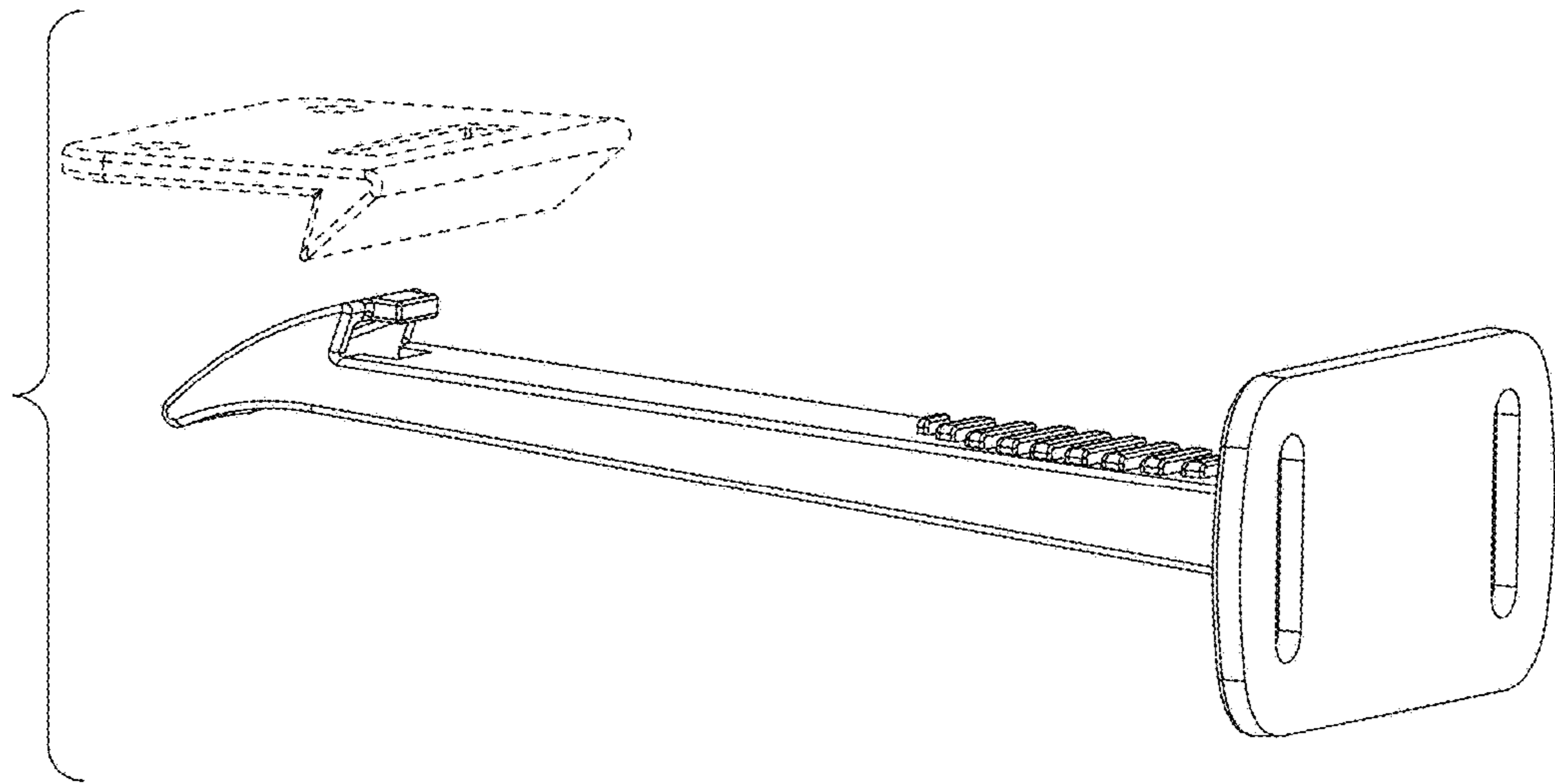


FIG. 8

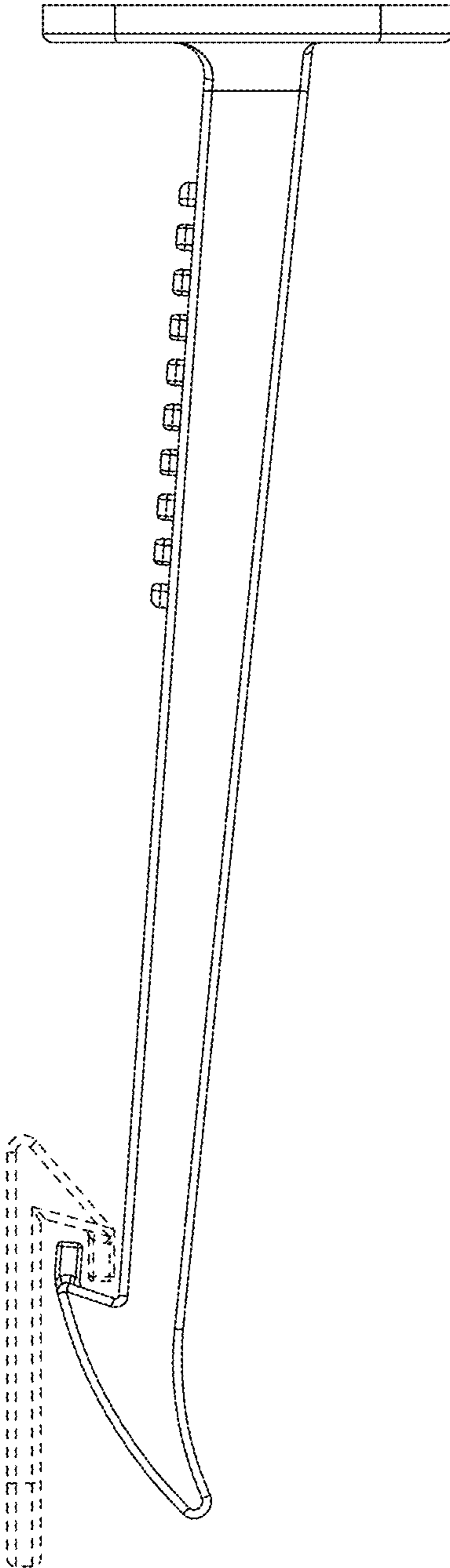


FIG. 9

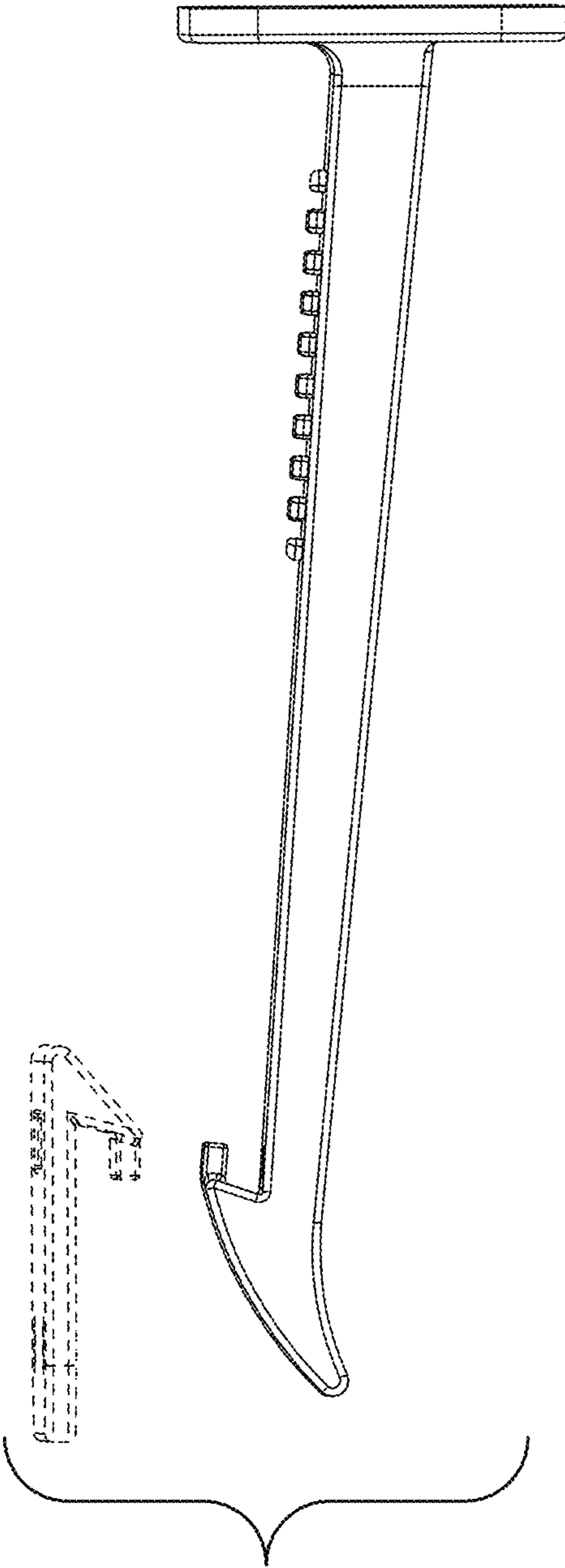


FIG. 10

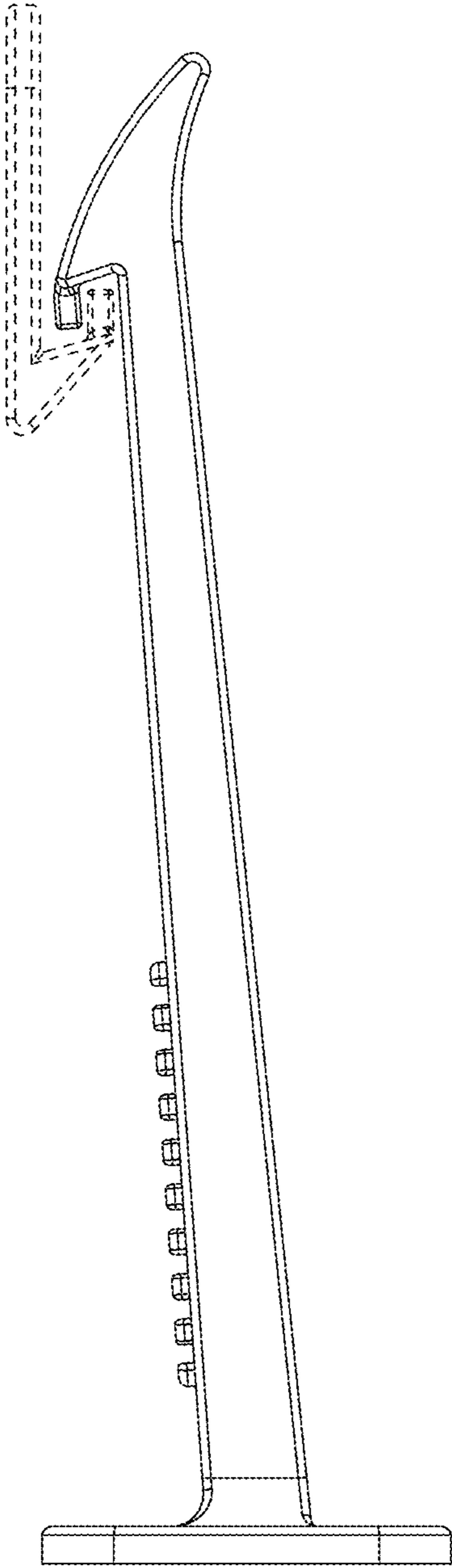


FIG. 11

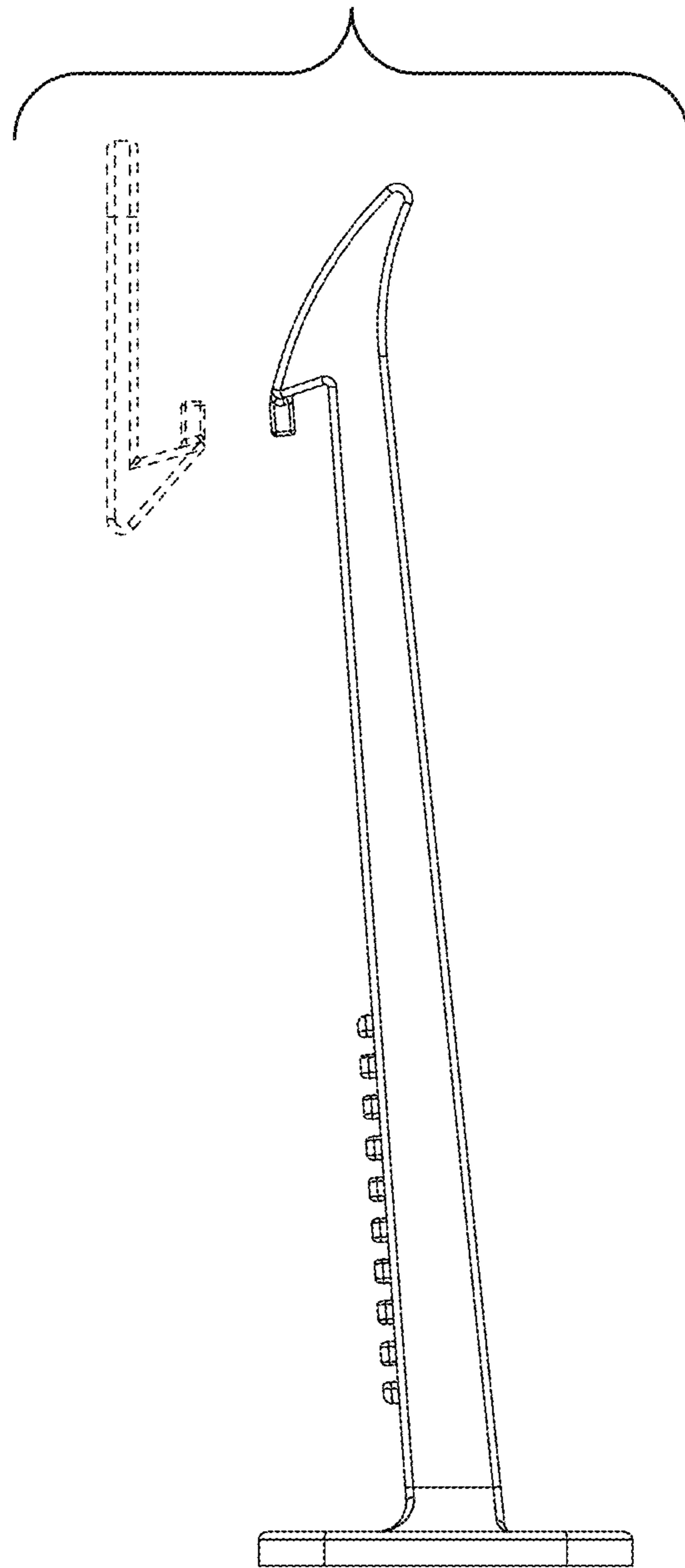


FIG. 12

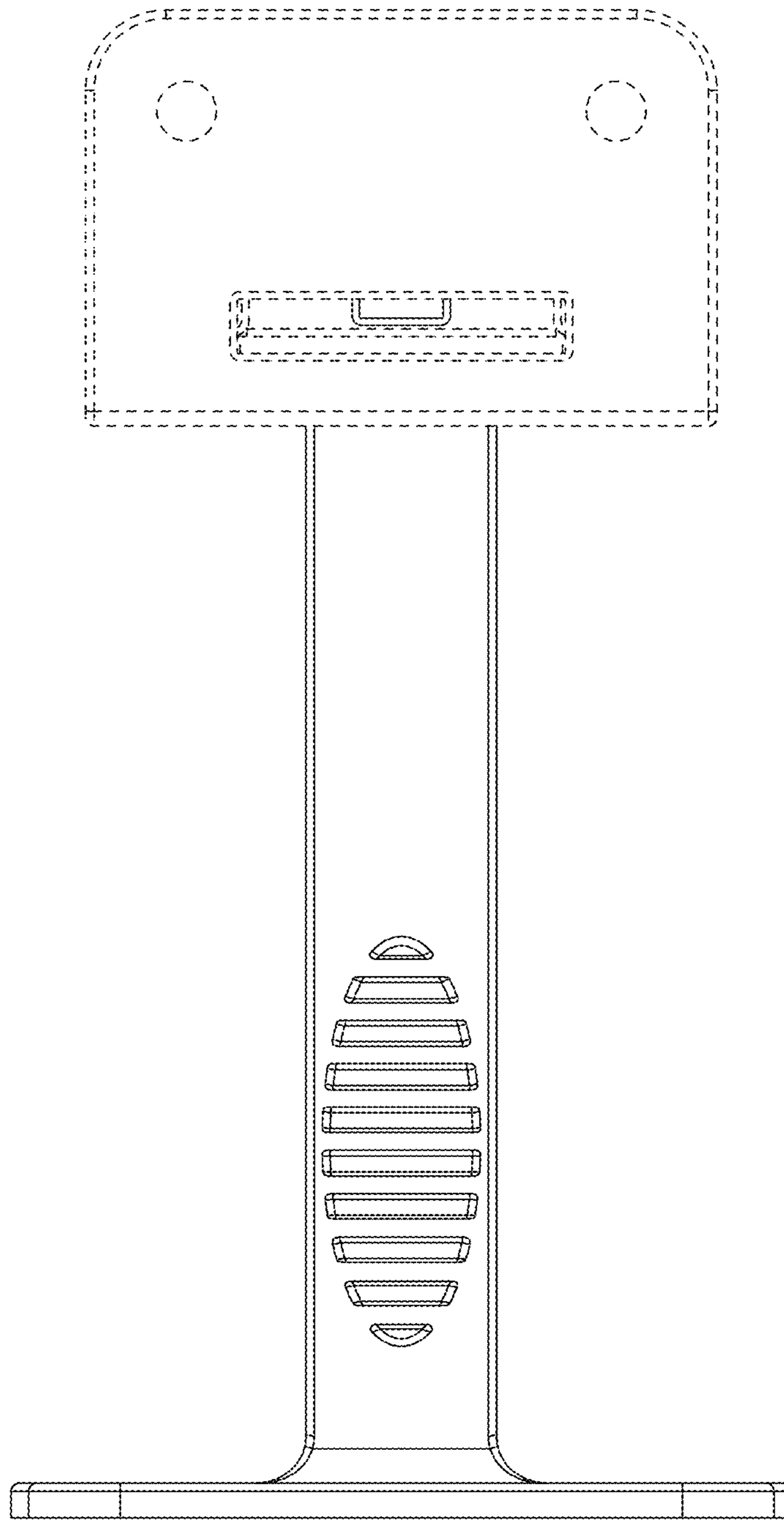


FIG. 13

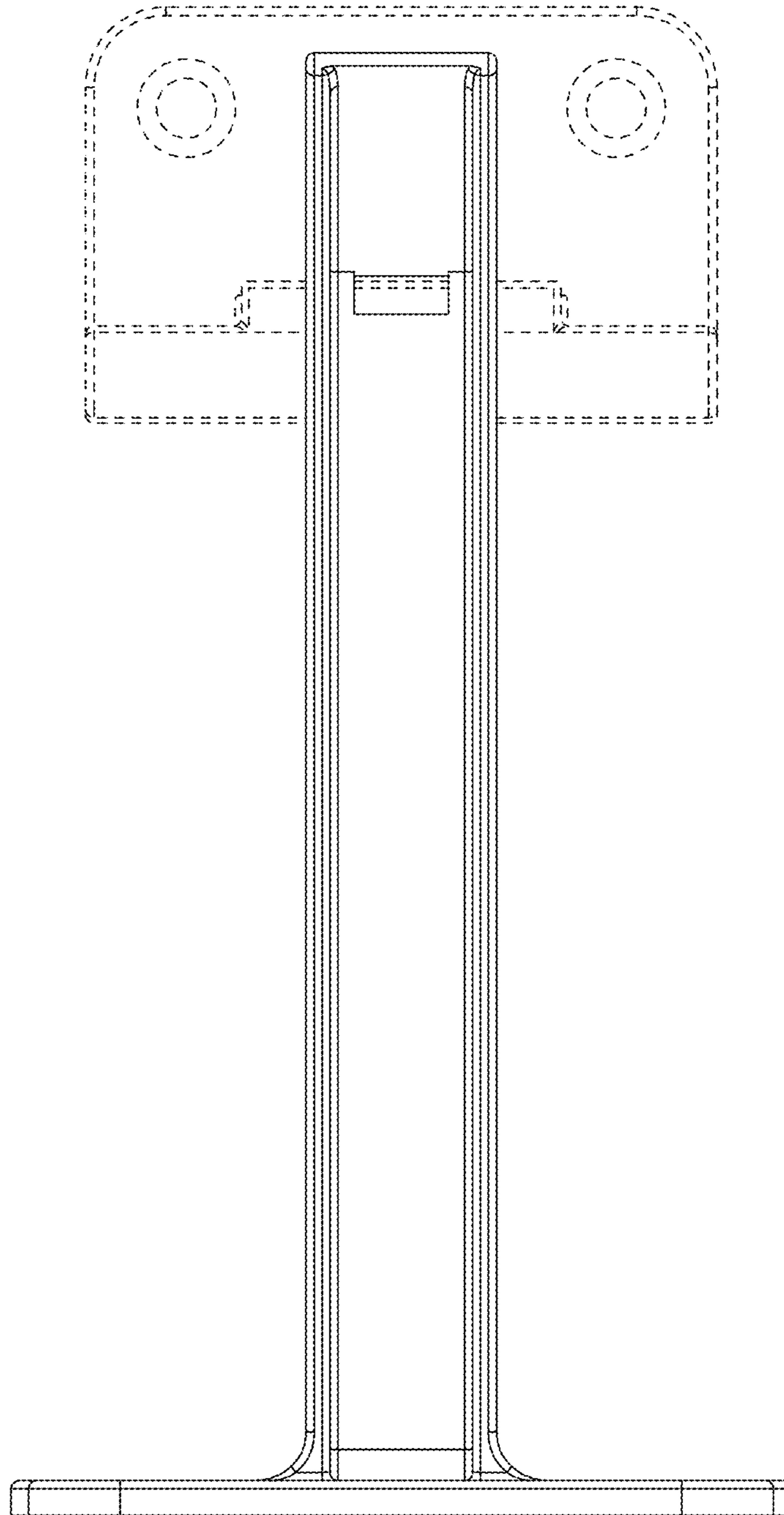


FIG. 14

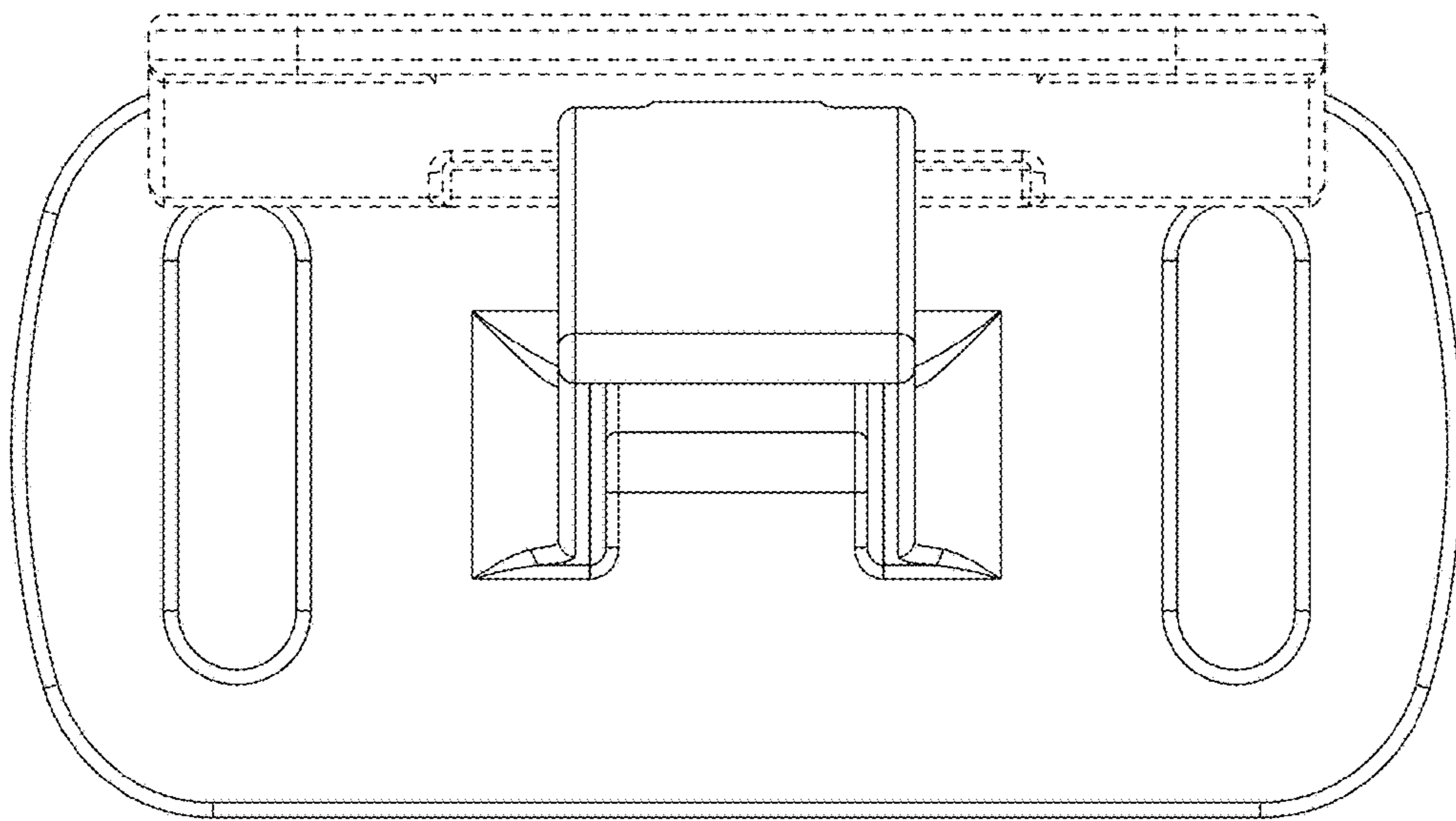


FIG. 15

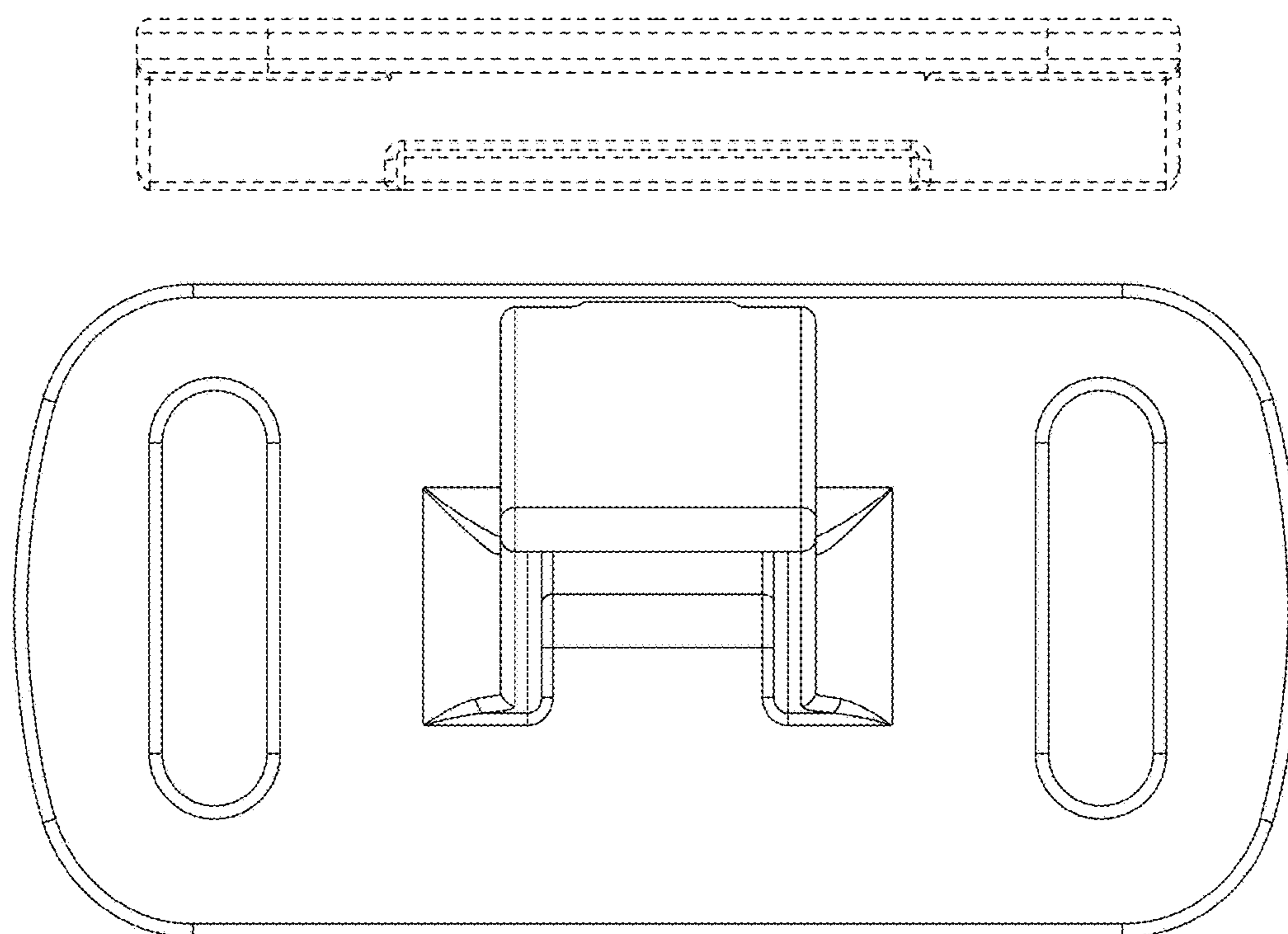


FIG. 16



FIG. 17

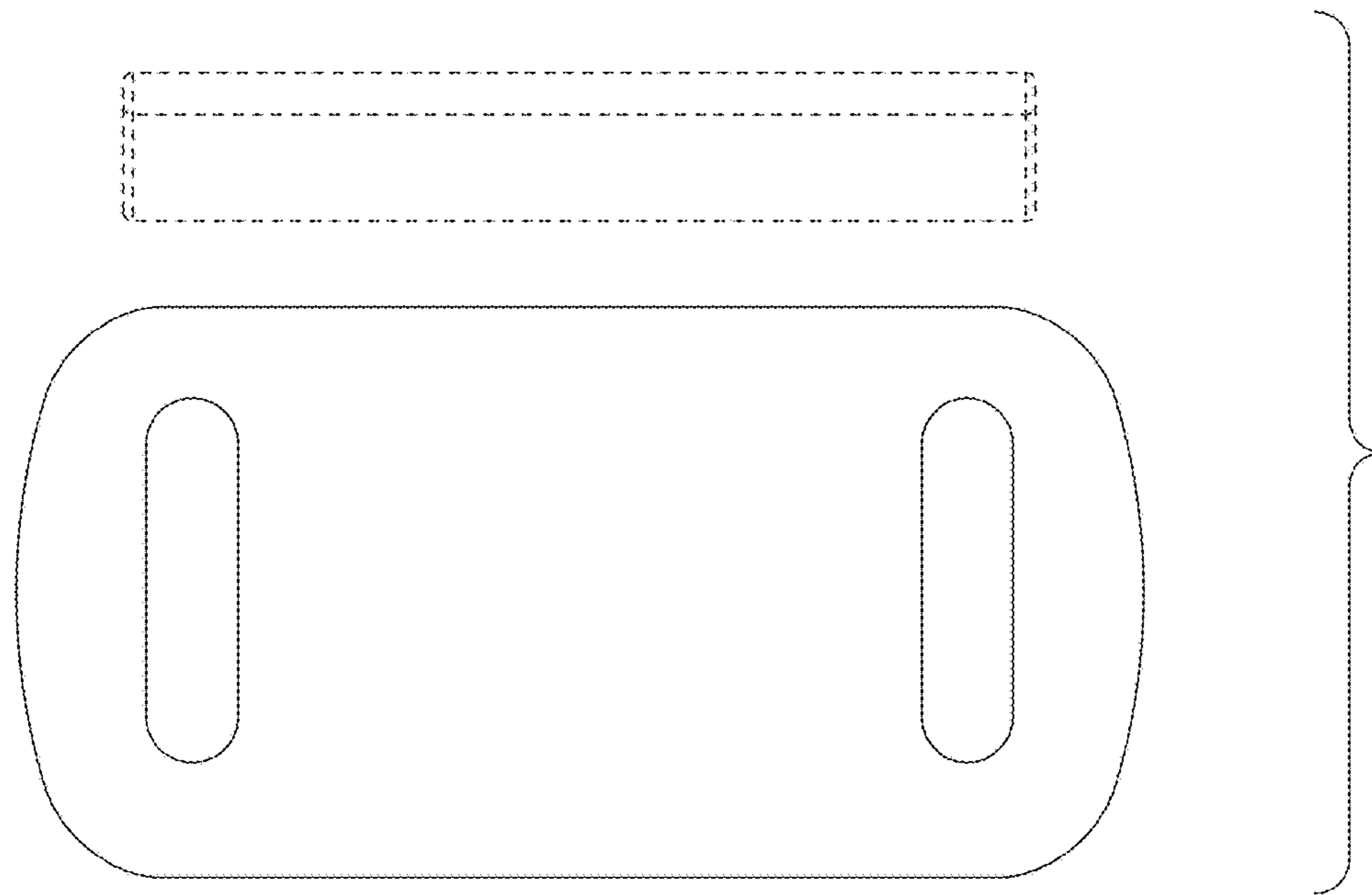


FIG. 18