



US00D800532S

(12) **United States Design Patent**  
**O'Brien**

(10) **Patent No.:** **US D800,532 S**

(45) **Date of Patent:** **\*\* Oct. 24, 2017**

- (54) **HINGE**
- (71) Applicant: **TSI Products, Inc.**, Arlington, TX (US)
- (72) Inventor: **Stephen William O'Brien**, Fort Worth, TX (US)
- (73) Assignee: **TSI Products, Inc.**, Arlington, TX (US)
- (\*\*) Term: **15 Years**
- (21) Appl. No.: **29/586,745**
- (22) Filed: **Dec. 6, 2016**
- (51) **LOC (10) Cl.** ..... **08-06**
- (52) **U.S. Cl.**  
USPC ..... **D8/323**
- (58) **Field of Classification Search**  
USPC ..... D8/323, 340, 343, 333, 325, 329, 336;  
292/264; 16/387, 382, 281, 386, 211  
CPC ..... E05D 1/04; E05D 11/1014; E05B 73/007;  
E05B 65/50; E05C 17/365; E05C 17/36;  
E05C 17/025; B21D 53/40  
See application file for complete search history.

- D649,009 S \* 11/2011 Caffin ..... D8/323
- 8,151,414 B2 \* 4/2012 Baudasse ..... B64G 1/222  
16/227
- D661,173 S \* 6/2012 Caffin ..... D8/323
- D673,024 S \* 12/2012 Caffin ..... D8/323
- D679,570 S \* 4/2013 Farnsworth ..... D8/323
- D699,093 S \* 2/2014 Farnsworth ..... D8/323
- D748,451 S \* 2/2016 Tung ..... D8/328
- D789,172 S \* 6/2017 Tomizawa ..... D8/328

\* cited by examiner

*Primary Examiner* — Cynthia Underwood

(74) *Attorney, Agent, or Firm* — Hitchcock Evert LLP

(57) **CLAIM**

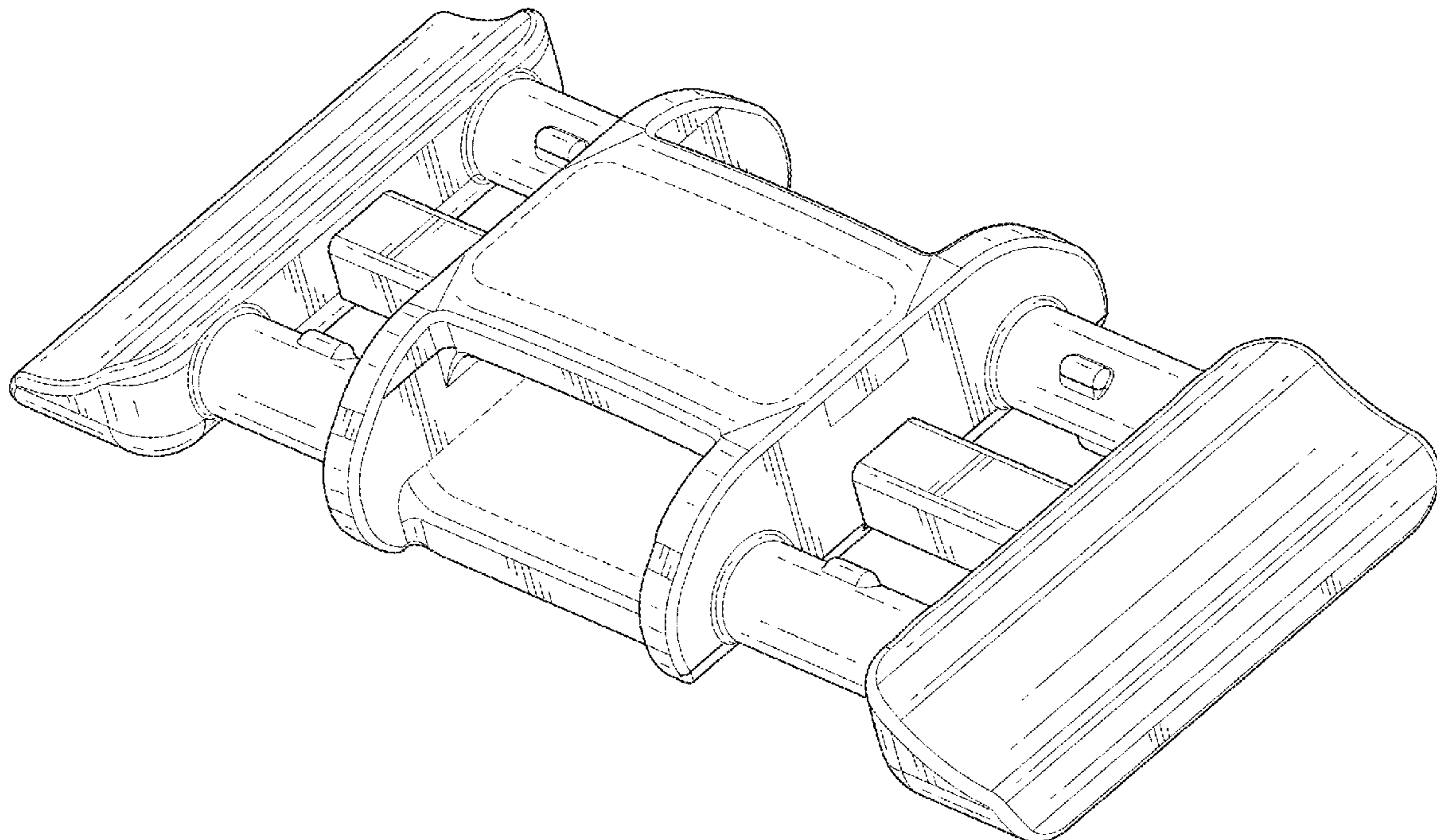
The ornamental design for a hinge, design as shown and described.

**DESCRIPTION**

FIG. 1 is a perspective view from the top-left of the hinge;  
 FIG. 2 is a front view thereof;  
 FIG. 3 is a back view thereof;  
 FIG. 4 is a right side view thereof;  
 FIG. 5 is a left side view thereof;  
 FIG. 6 is a top view thereof;  
 FIG. 7 is a bottom view thereof; and,  
 FIG. 8 is a perspective view from the bottom-left of the hinge.  
 The features shown in broken lines are for the purpose of illustrating portions of the article that form no part of the claimed design.

**1 Claim, 6 Drawing Sheets**

- (56) **References Cited**  
U.S. PATENT DOCUMENTS
- 5,079,798 A \* 1/1992 Burke ..... E05D 5/0246  
16/252
- 5,412,842 A \* 5/1995 Riblett ..... E05D 5/12  
16/250
- D372,852 S \* 8/1996 Noll ..... D8/328
- D436,515 S \* 1/2001 Sonntag ..... D8/328



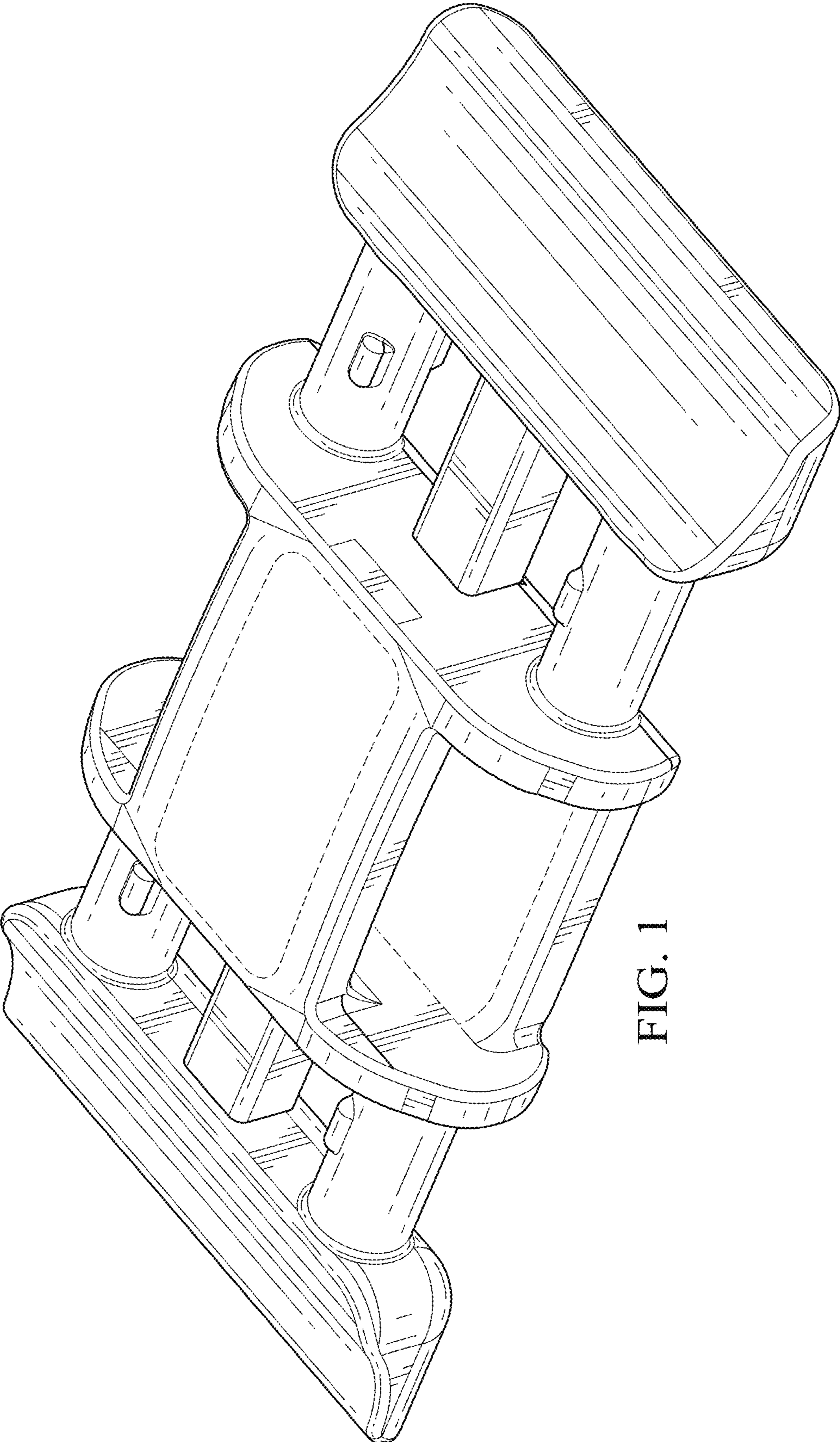


FIG. 1

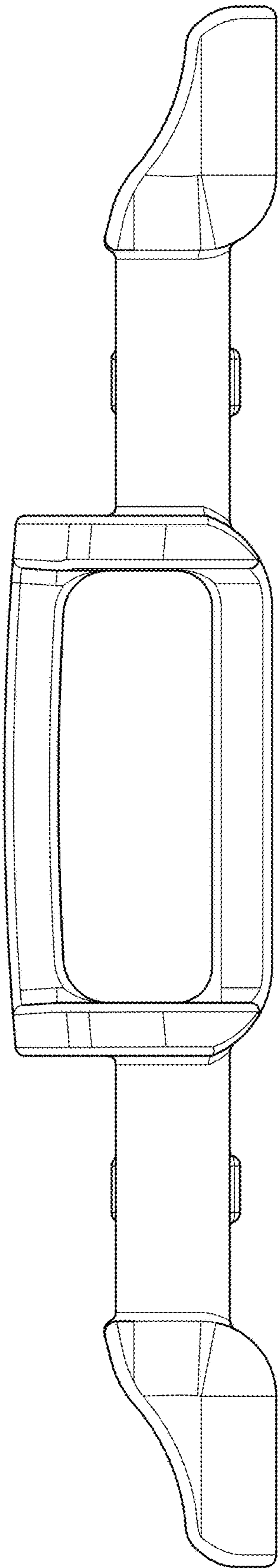


FIG. 2

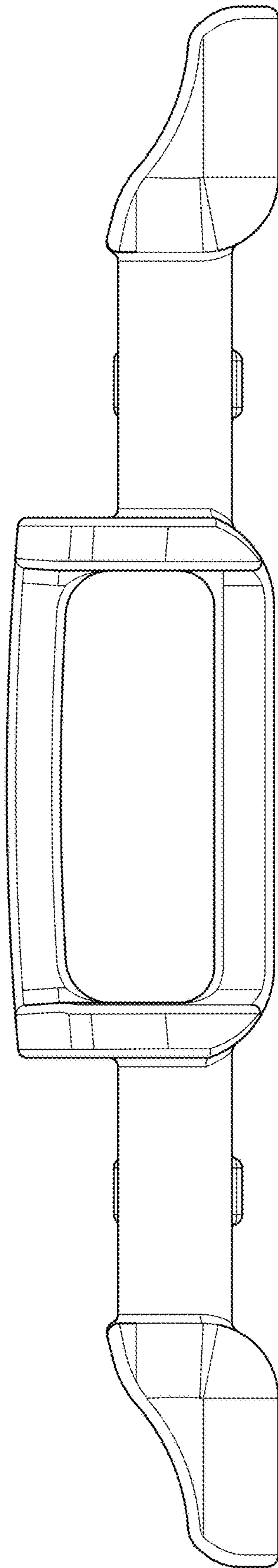


FIG. 3

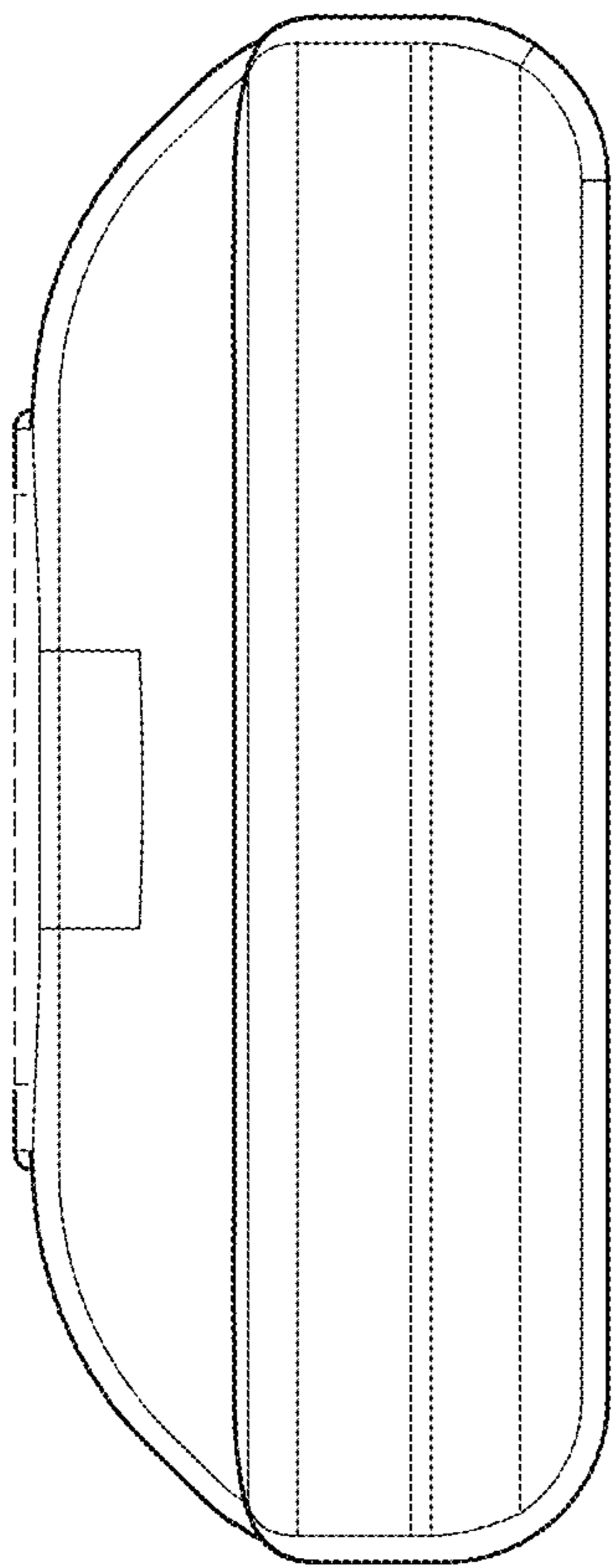


FIG. 4

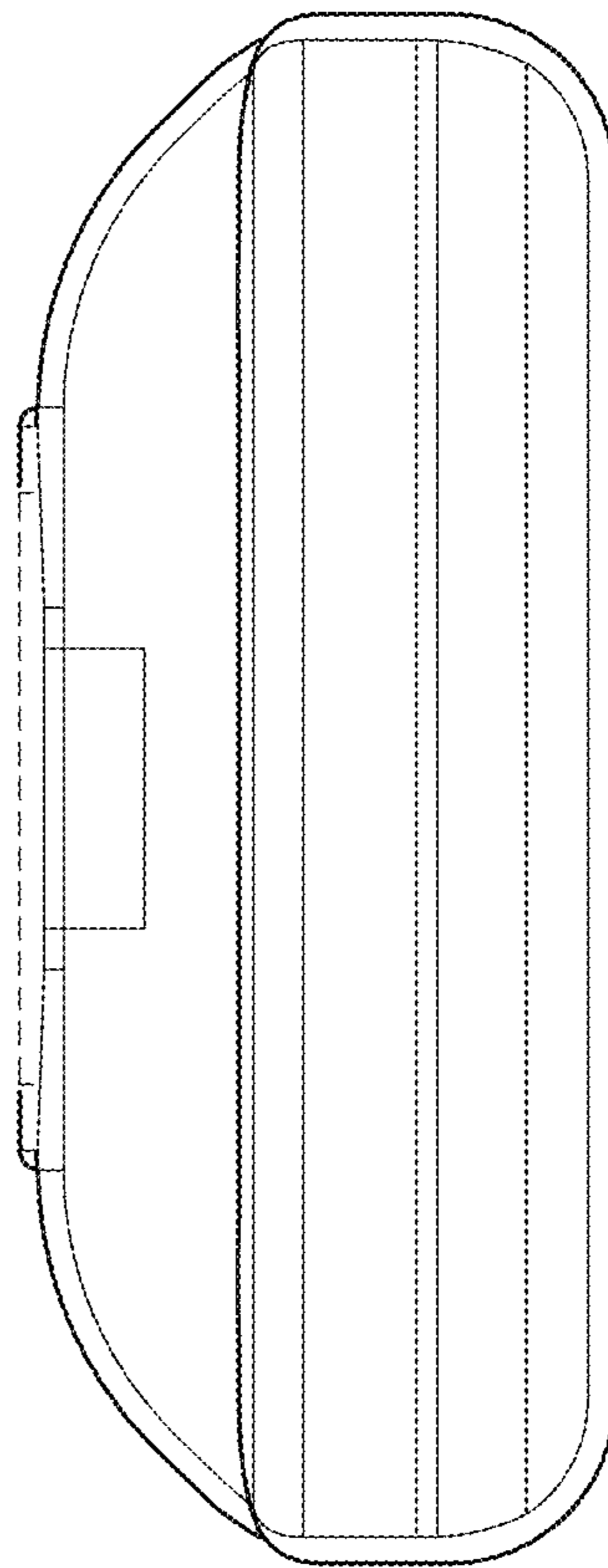


FIG. 5

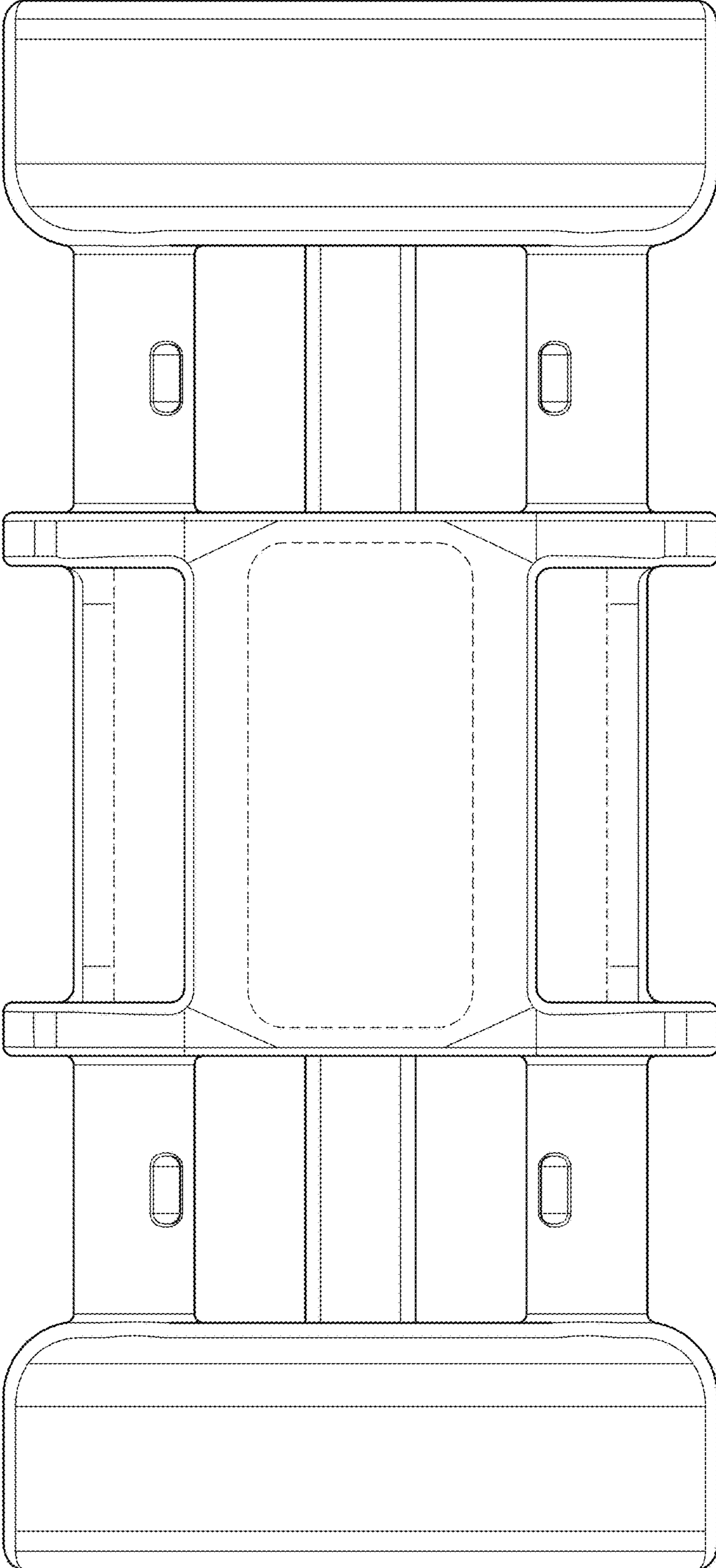


FIG. 6

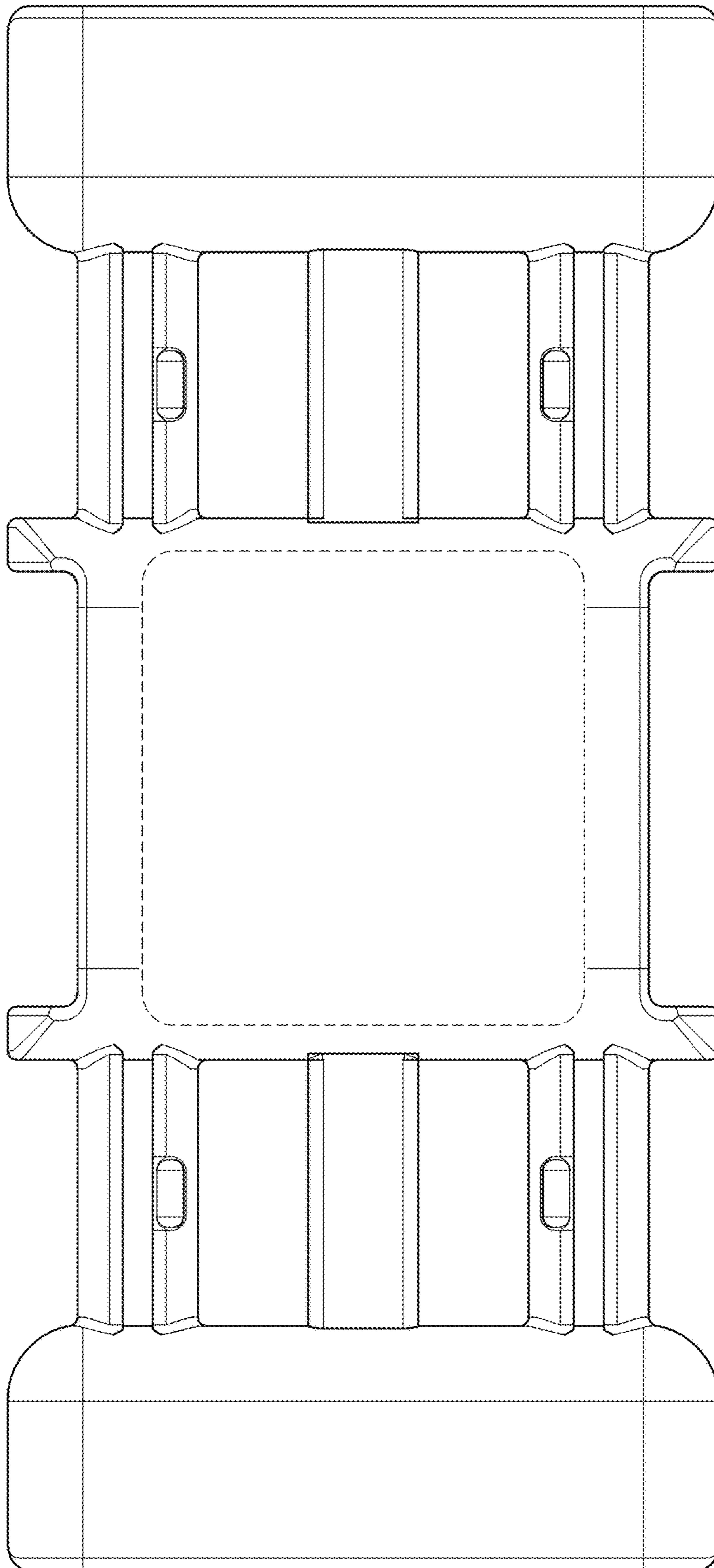


FIG. 7

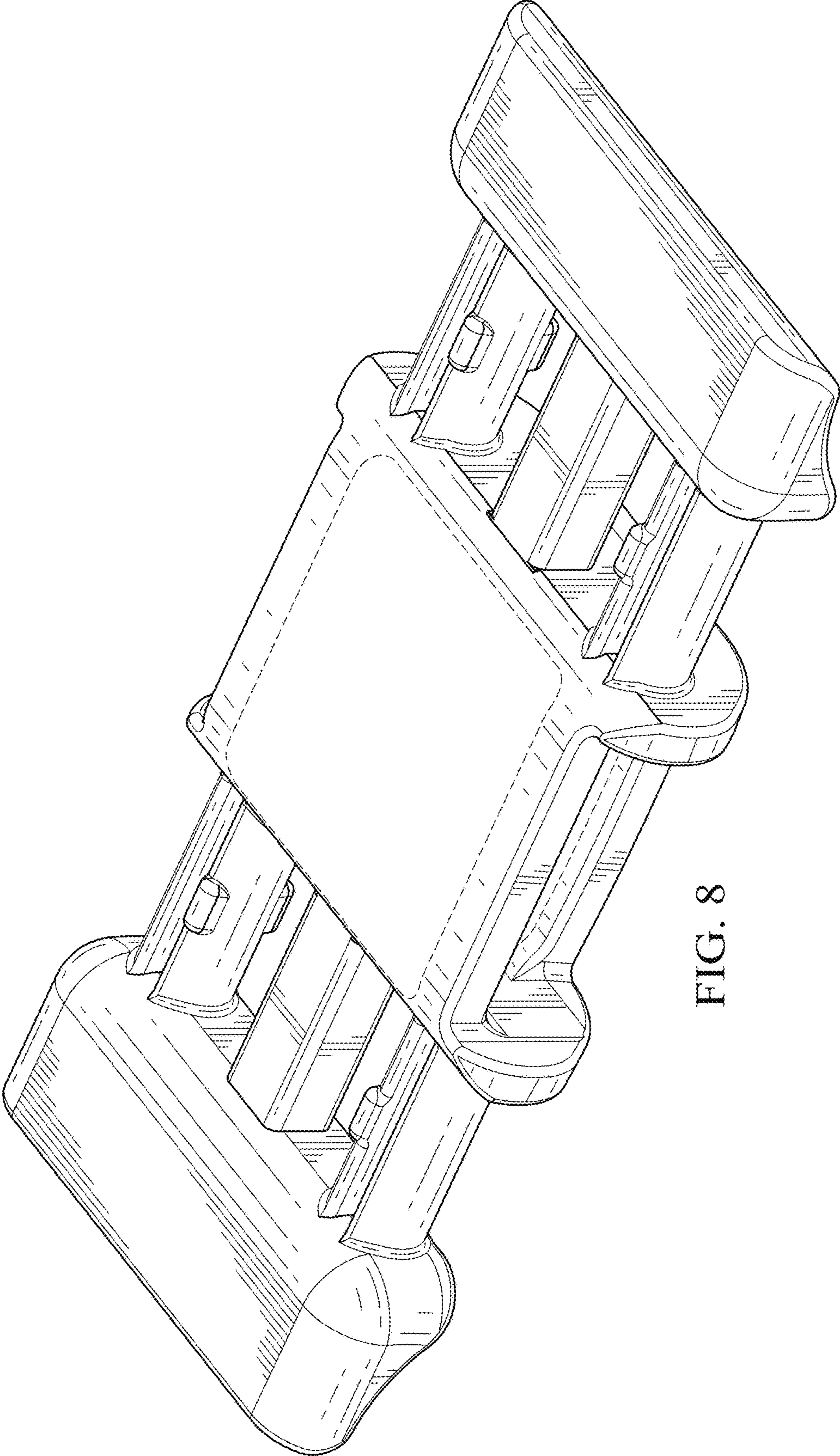


FIG. 8