



US00D800531S

(12) **United States Design Patent** (10) **Patent No.:** **US D800,531 S**
Chang (45) **Date of Patent:** **** Oct. 24, 2017**

(54) **SAFETY RAIL**
(71) Applicant: **Shih-Kuo Chang**, Tainan (TW)
(72) Inventor: **Shih-Kuo Chang**, Tainan (TW)
(**) Term: **15 Years**
(21) Appl. No.: **29/561,477**
(22) Filed: **Apr. 15, 2016**
(51) **LOC (10) Cl.** **08-06**
(52) **U.S. Cl.**
USPC **D8/316**
(58) **Field of Classification Search**
USPC D8/316, 107, 300, 315, 319, 320, 303;
15/235.4; 16/111 R
CPC E04F 11/1836; E04F 11/1804; E04F
11/1808; E04F 2011/1868; E04F
2011/1885
See application file for complete search history.

D664,023 S * 7/2012 Gilbert D8/316
D705,638 S * 5/2014 Aruga B25G 1/04
D8/300
2015/0259926 A1* 9/2015 Chang E04F 11/1836
256/65.01

OTHER PUBLICATIONS

Grab Bar—MoenPro, posted at pro.moen.com, posted Sep. 26, 2010, [online], [site visited Jan. 18, 2017]. Available from Internet, <URL: http://pro.moen.com/grabbar/chrome12designergrabbar/_/RTPORTALALL%3AR8712D3GCH>.*

* cited by examiner

Primary Examiner — Caron D Veynar
Assistant Examiner — Maria Edwards
(74) *Attorney, Agent, or Firm* — Alan D. Kamrath;
Kamrath IP Lawfirm, P.A.

(57) **CLAIM**

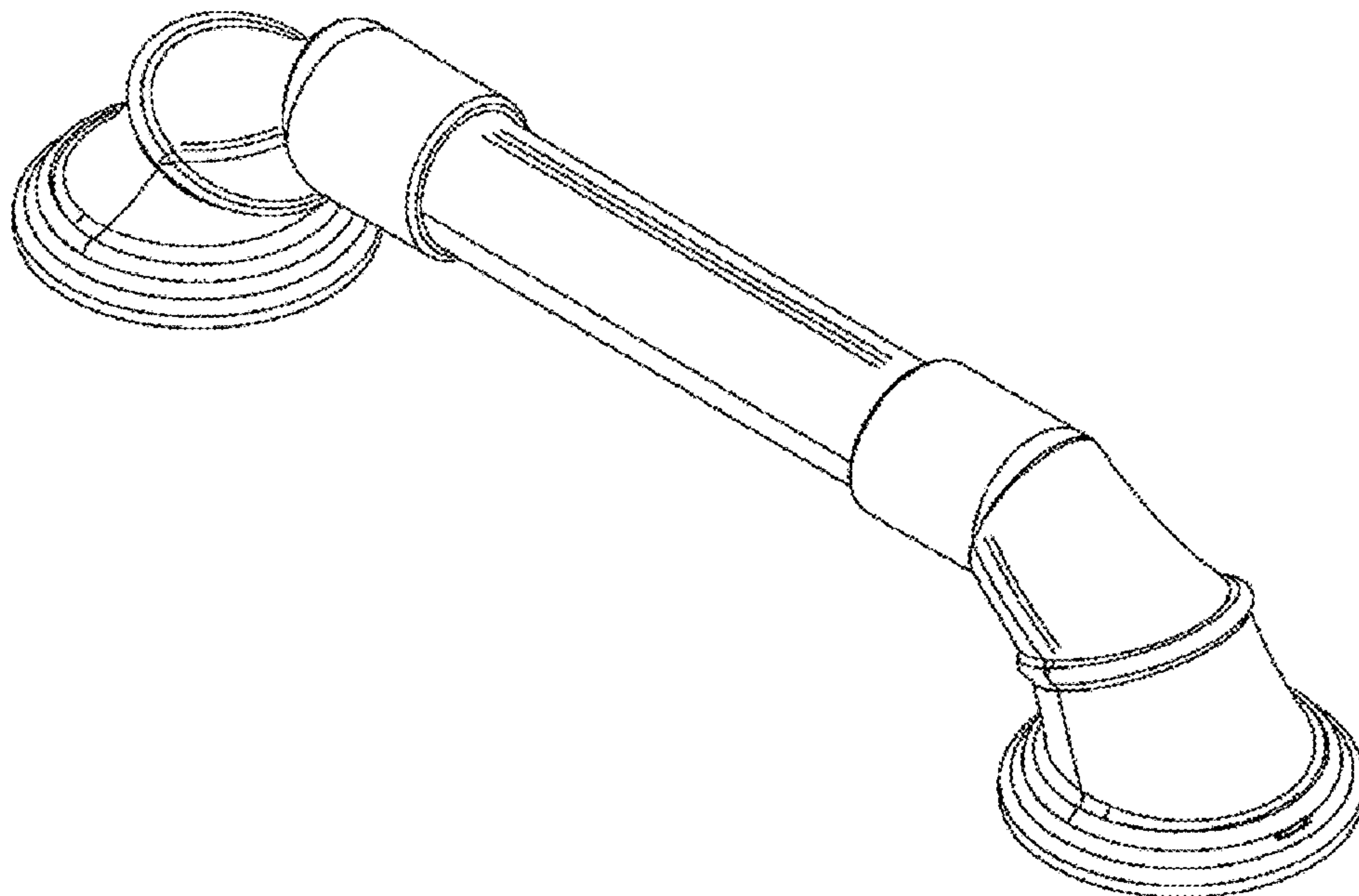
The ornamental design for a safety rail, as shown and described.

DESCRIPTION

FIG. 1 is a perspective view of a safety rail showing my design;
FIG. 2 is a front elevational view thereof;
FIG. 3 is a rear elevational view thereof;
FIG. 4 is a left side elevational view thereof;
FIG. 5 is a right side elevational view thereof;
FIG. 6 is a top plan view thereof; and,
FIG. 7 is a bottom plan view thereof.
The broken line areas show portions of the safety rail forming no part of the claimed design.

1 Claim, 7 Drawing Sheets

(56) **References Cited**
U.S. PATENT DOCUMENTS
D125,452 S * 2/1941 Marshek D8/318
D199,333 S * 10/1964 Finley D8/107
D274,123 S * 6/1984 Tegner D8/316
D426,134 S * 6/2000 Pytlewski D8/107
D542,117 S * 5/2007 Fields D8/316
D550,536 S * 9/2007 Ricereto D8/316
D568,142 S * 5/2008 Zhang D8/320
D582,750 S * 12/2008 Heidrich D8/316
D611,323 S * 3/2010 Koskela D8/305
D642,446 S * 8/2011 Roe D8/320



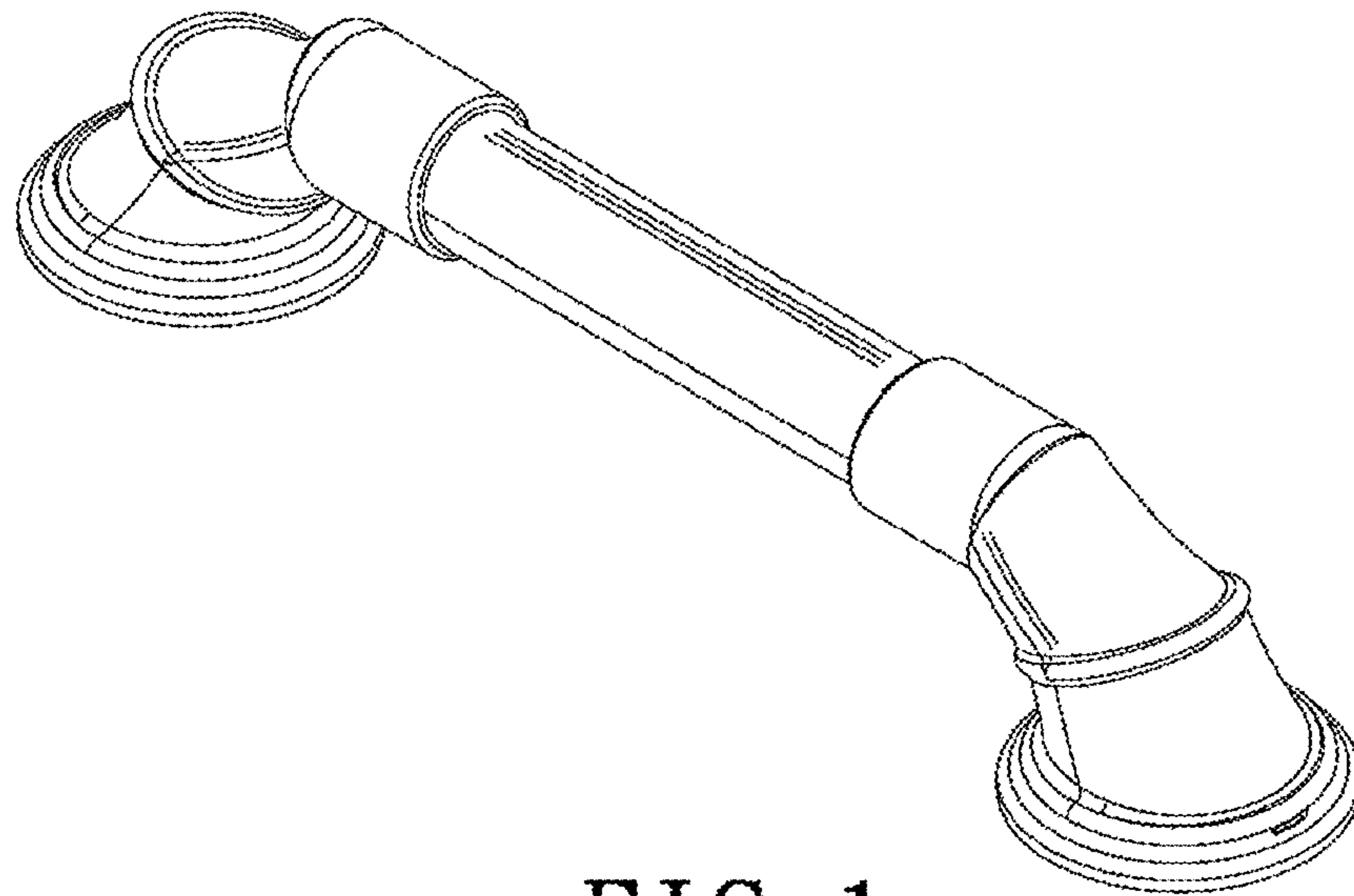


FIG. 1

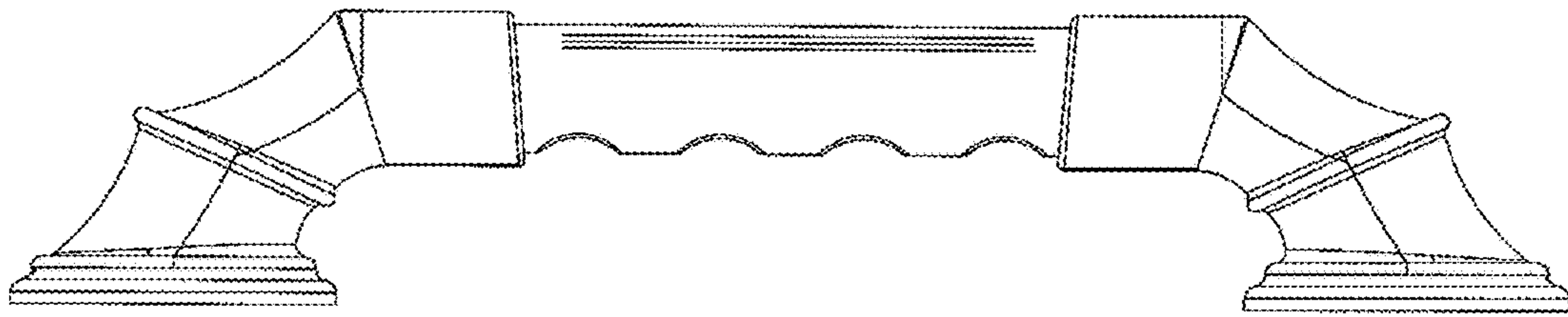


FIG. 2

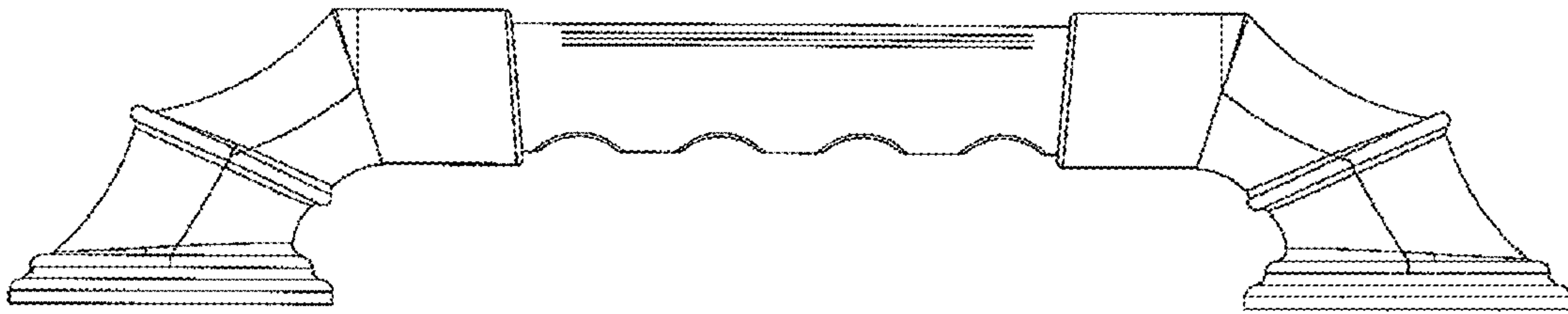


FIG. 3

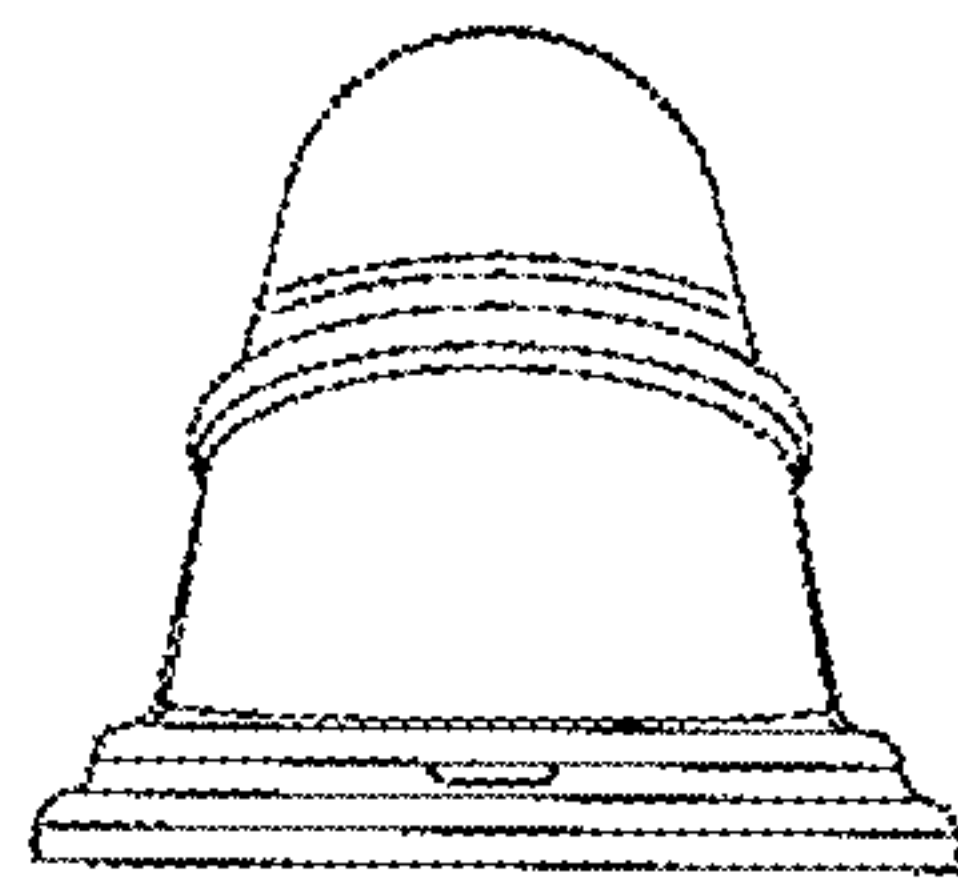


FIG. 4

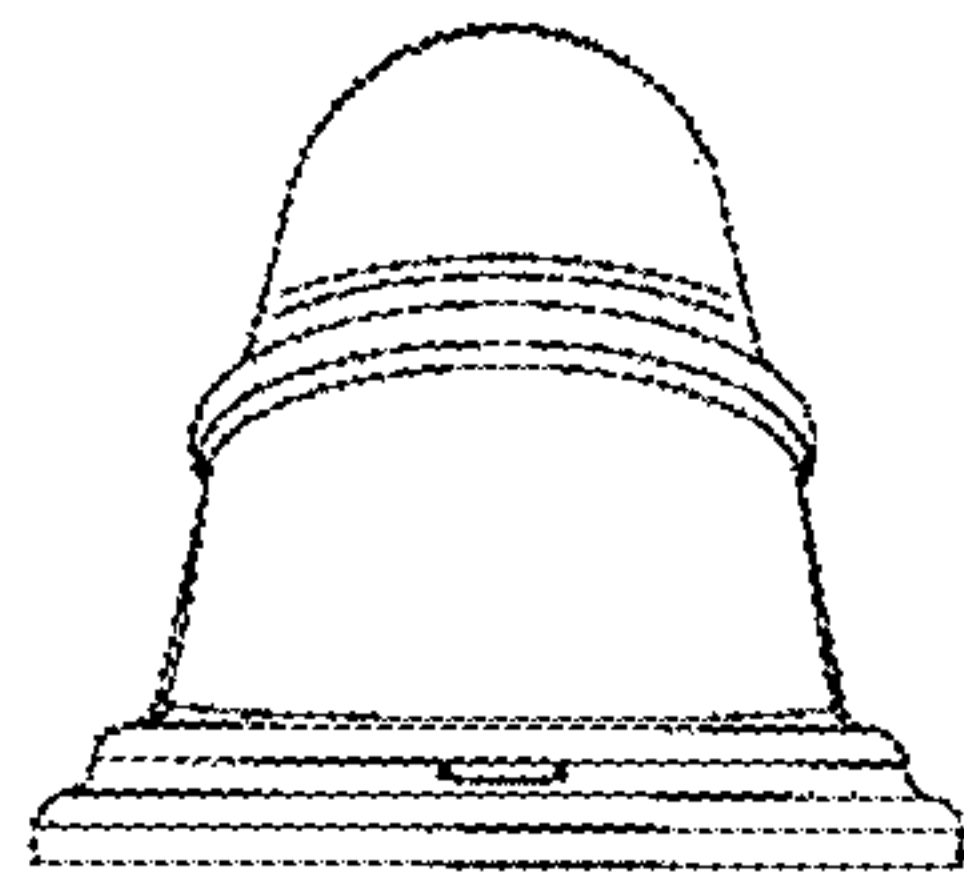


FIG. 5

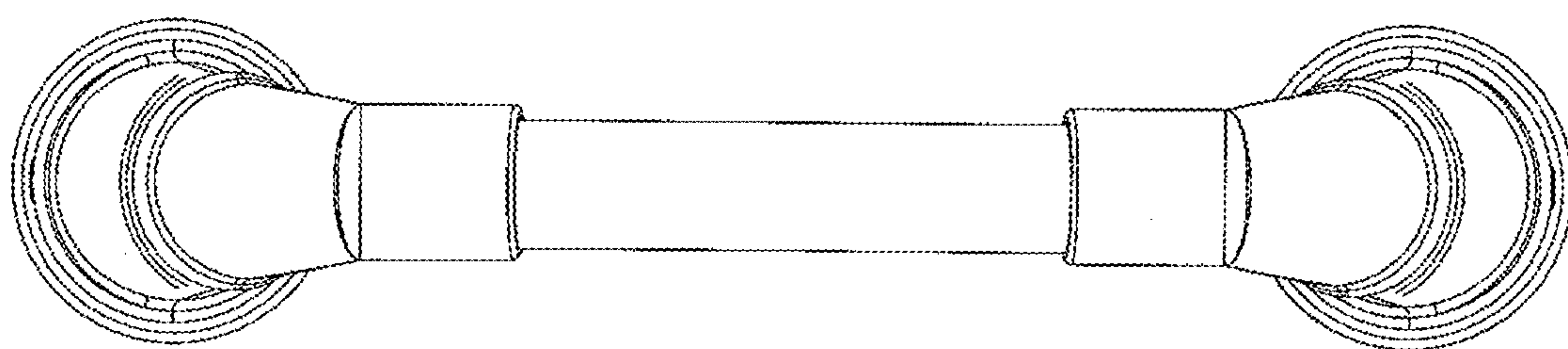


FIG. 6

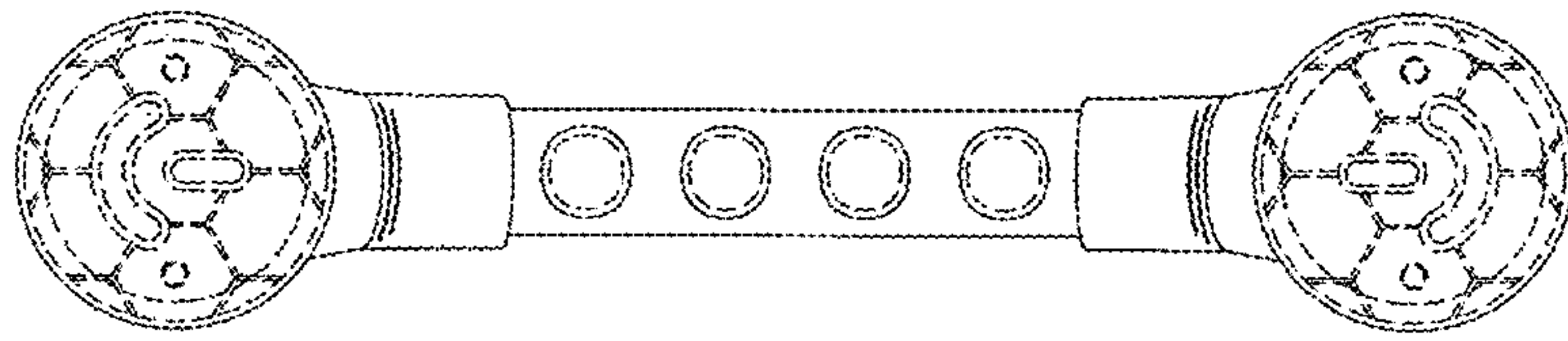


FIG. 7