



US00D800527S

(12) **United States Design Patent**  
**Garber et al.**

(10) **Patent No.:** **US D800,527 S**

(45) **Date of Patent:** **\*\* Oct. 24, 2017**

(54) **NAILER SUPPORT LEG**

(71) Applicant: **BLACK & DECKER INC.**, New Britain, CT (US)

(72) Inventors: **Stuart E. Garber**, Towson, MD (US);  
**Gabriel E. Concari**, Eldersburg, MD (US)

(73) Assignee: **BLACK & DECKER INC.**, New Britain, CT (US)

(\*\*) Term: **15 Years**

(21) Appl. No.: **29/564,919**

(22) Filed: **May 17, 2016**

(51) **LOC (10) Cl.** ..... **08-05**

(52) **U.S. Cl.**  
USPC ..... **D8/70**

(58) **Field of Classification Search**  
USPC ..... D8/61-71, 74; D15/140  
CPC .. B25C 1/001; B25C 1/04; B25C 1/06; B25C  
1/041; B25C 1/047; B25F 5/021; B27C  
5/10  
See application file for complete search history.

(56) **References Cited**

**U.S. PATENT DOCUMENTS**

D435,207 S \* 12/2000 Nathenson ..... D8/70  
D556,529 S \* 12/2007 Gamble ..... D8/70

D567,618 S \* 4/2008 Agronin ..... D8/71  
D592,277 S \* 5/2009 Yorns ..... D23/223  
D632,943 S \* 2/2011 Cabriales ..... D8/70  
D637,268 S \* 5/2011 Yorns ..... D23/213  
D677,549 S \* 3/2013 Baron ..... D8/70  
D724,924 S \* 3/2015 Fisher ..... D8/70  
D747,167 S \* 1/2016 Harkin ..... D8/72  
D788,560 S \* 6/2017 Fisher ..... D8/107

\* cited by examiner

*Primary Examiner* — Darlington Ly

(74) *Attorney, Agent, or Firm* — Rhonda L. Barton

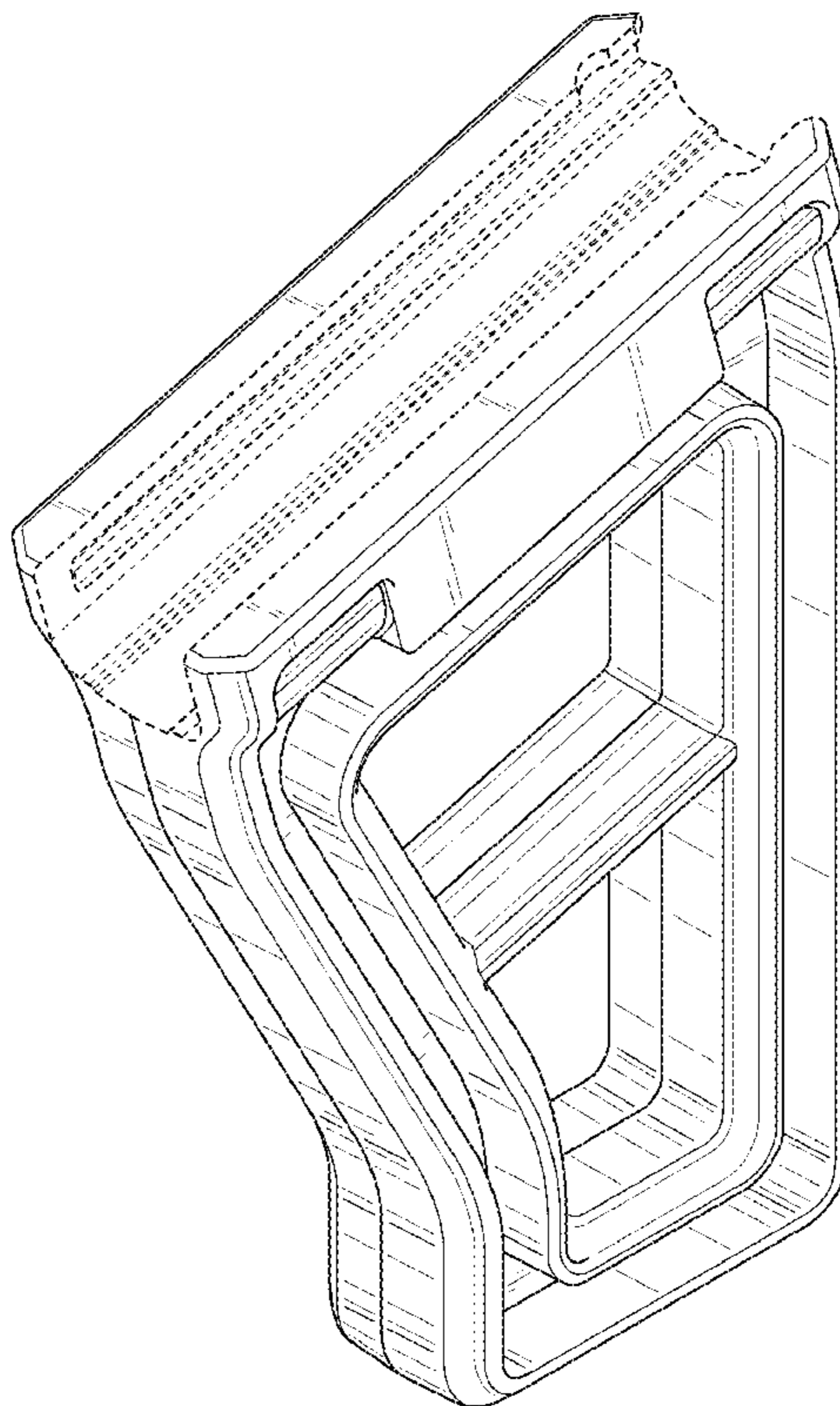
(57) **CLAIM**

The ornamental design for a nailer support leg, as shown and described.

**DESCRIPTION**

FIG. 1 is a top and right-side perspective view of a nailer support leg showing our new design; FIG. 2 is a front elevation view; FIG. 3 is a rear elevation view thereof; FIG. 4 is a left-side elevation view thereof; FIG. 5 is a right-side elevation view thereof; FIG. 6 is a top plan view thereof; and, FIG. 7 is a bottom plan view thereof. The broken lines in the drawings illustrate portions of the nailer support leg that form no part of the claimed design.

**1 Claim, 5 Drawing Sheets**



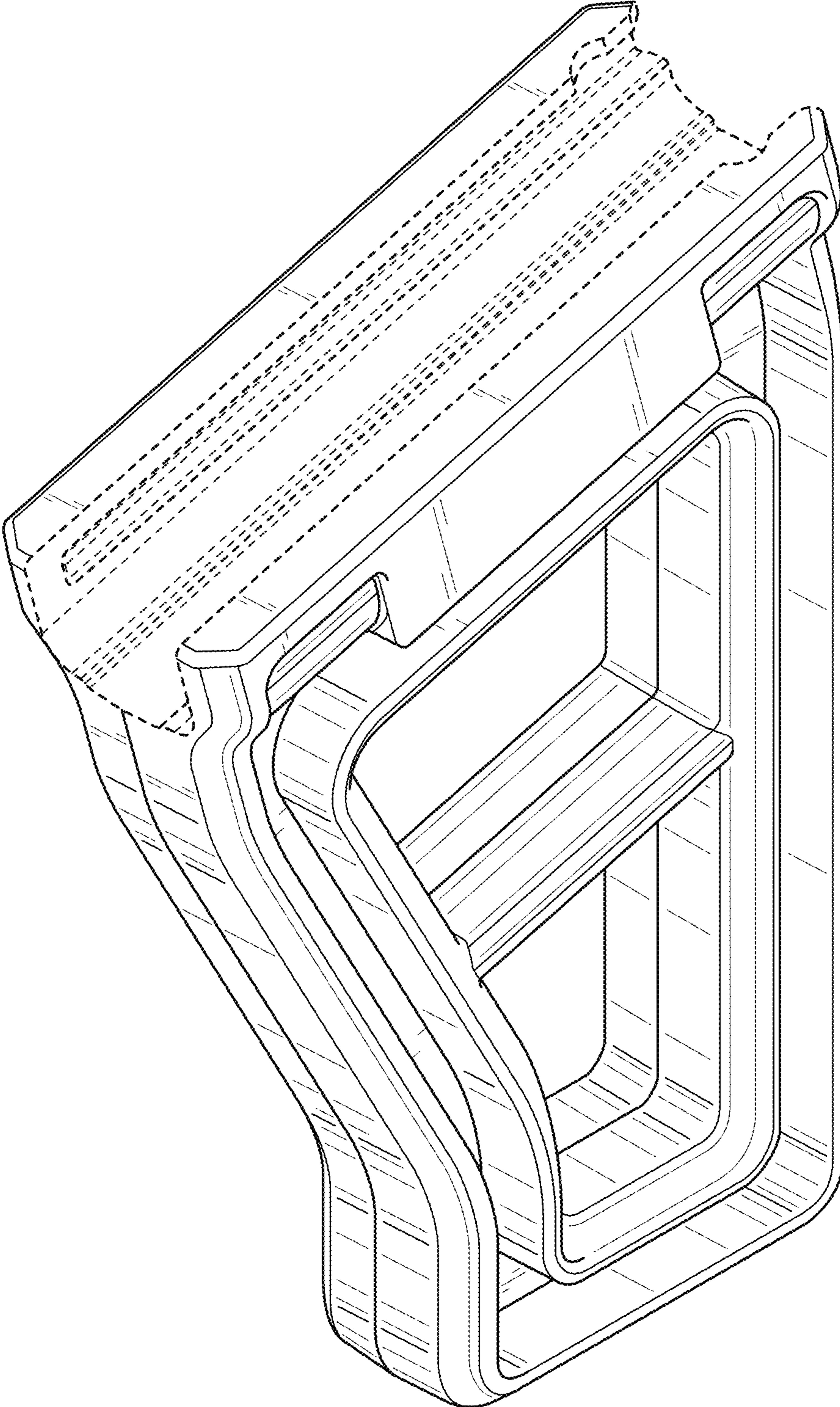


FIG. 1

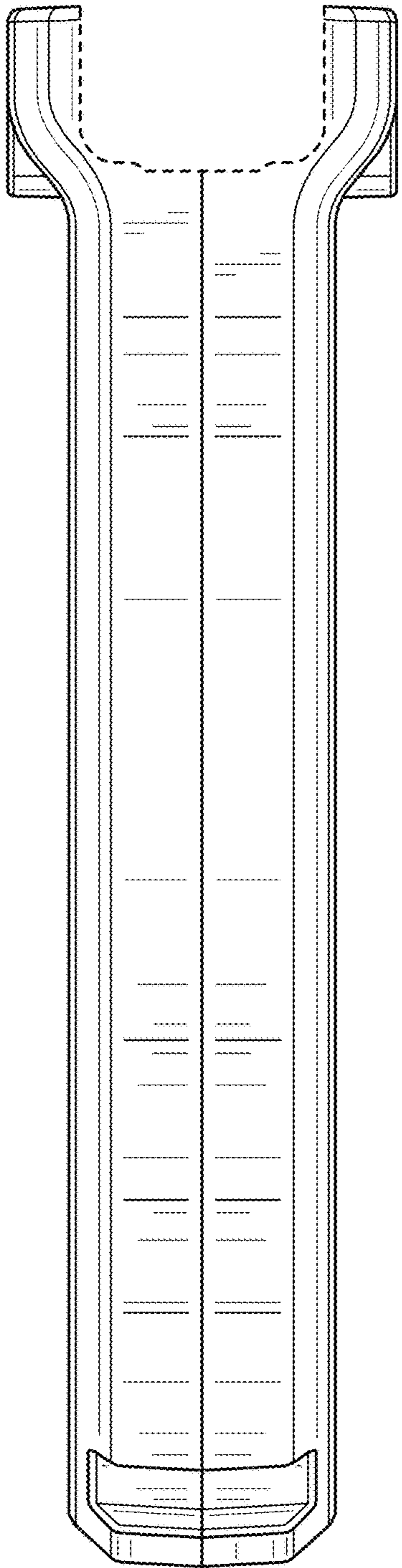


FIG. 2

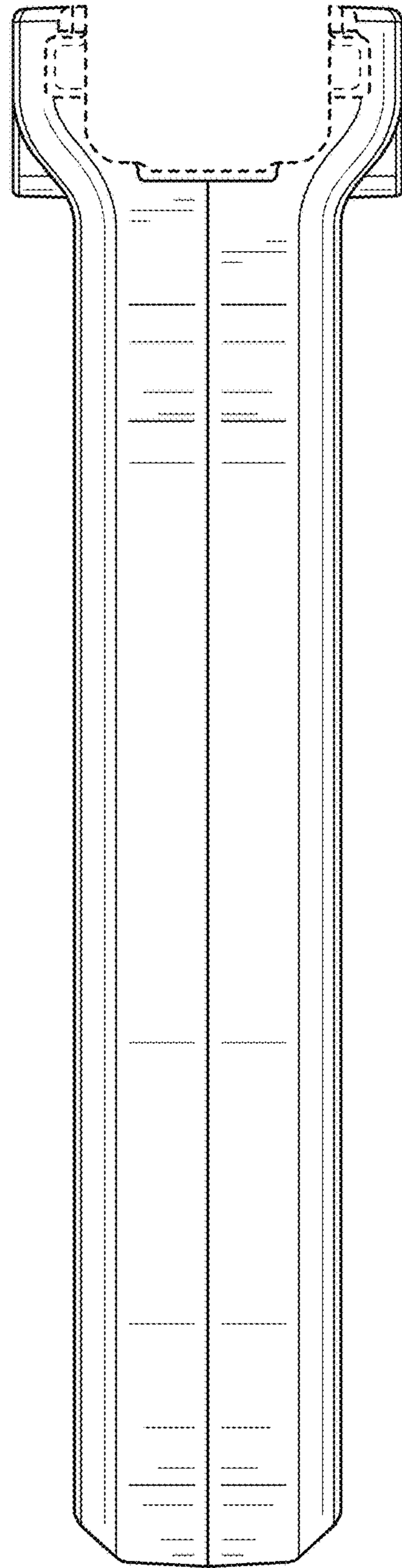


FIG. 3

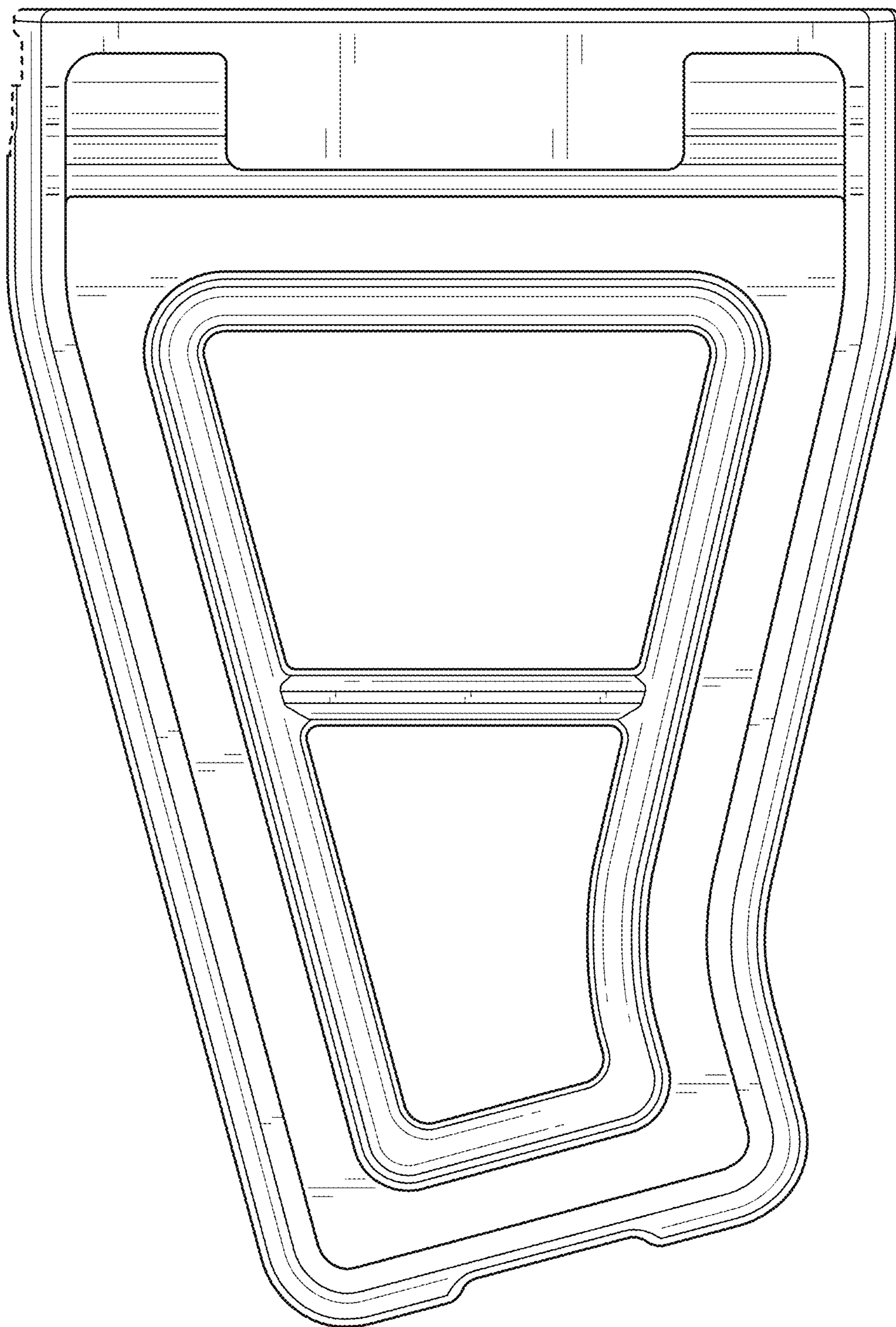


FIG. 4

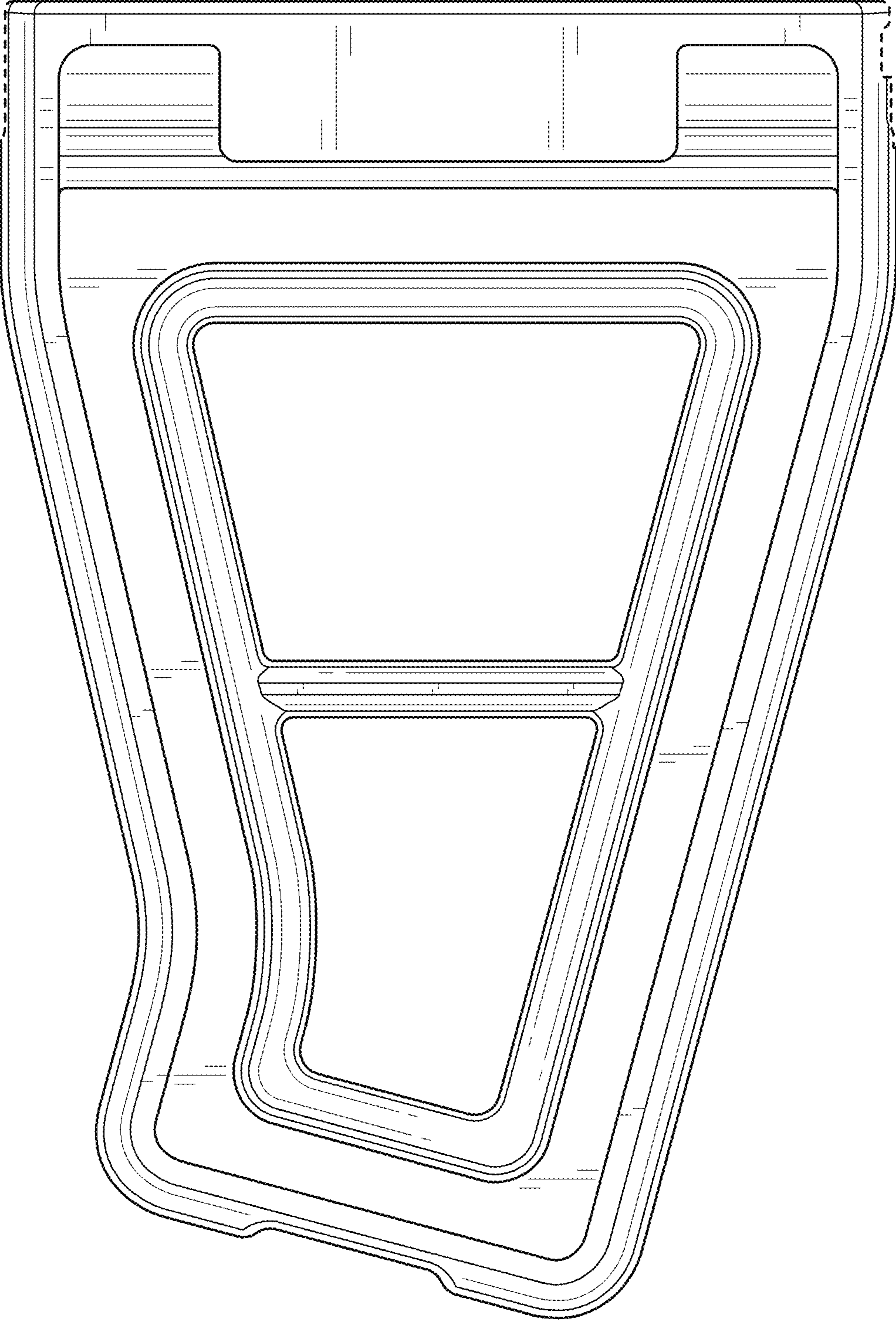


FIG. 5

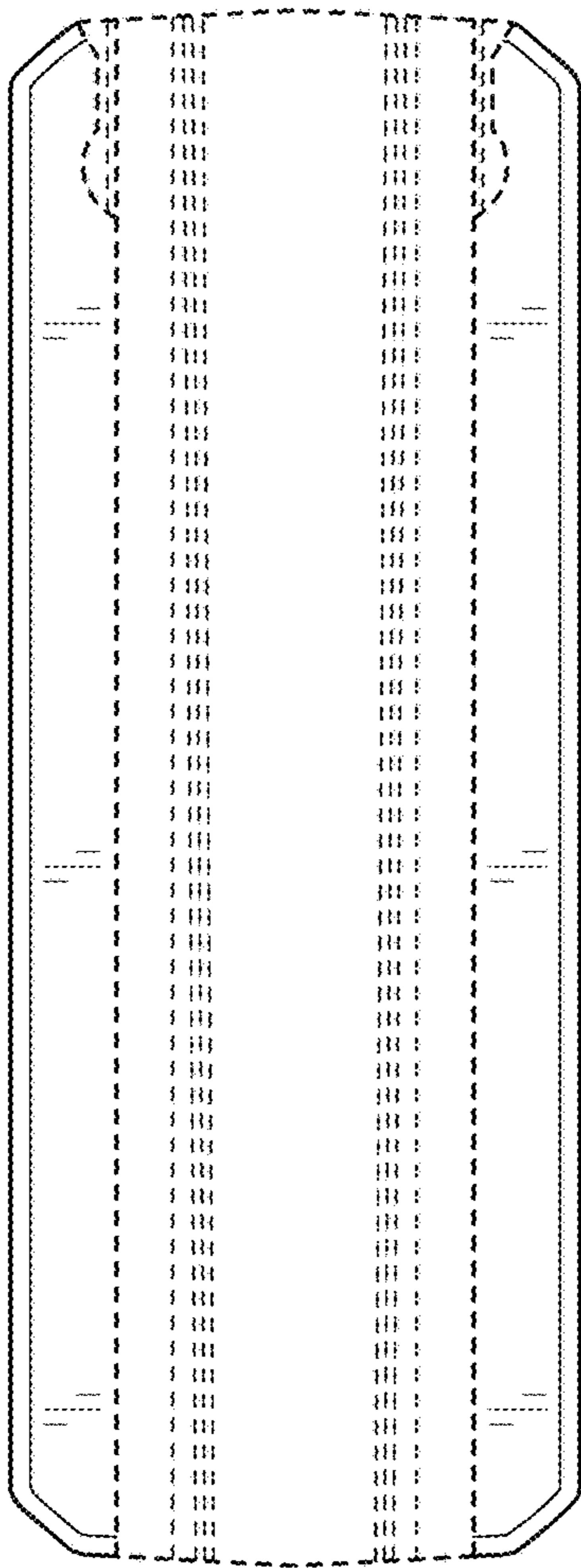


FIG. 6

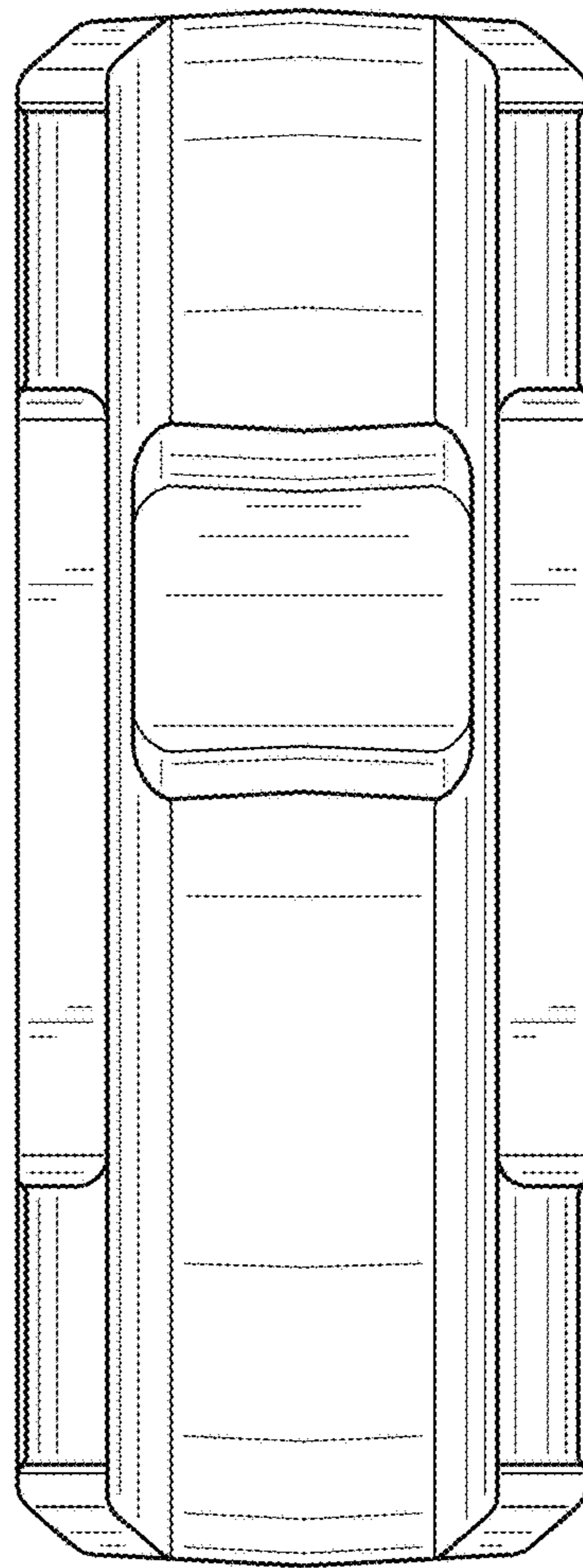


FIG. 7