



US00D800526S

(12) **United States Design Patent** (10) **Patent No.:** **US D800,526 S**
Aoki et al. (45) **Date of Patent:** **** Oct. 24, 2017**

(54) **NAILER**
(71) Applicant: **Hitachi Koki Co., Ltd.**, Minato-Ku, Tokyo (JP)
(72) Inventors: **Yoshiki Aoki**, Hitachinaka (JP); **Masato Sakai**, Hitachinaka (JP)
(73) Assignee: **Hitachi Koki Co., Ltd.**, Minato-Ku, Tokyo (JP)

D514,911 S * 2/2006 Thomas D8/69
D532,668 S * 11/2006 Wen D8/69
D660,122 S * 5/2012 Hotta D8/69
D699,535 S * 2/2014 Albrecht D8/68
D713,704 S * 9/2014 Wang D8/68
D724,404 S * 3/2015 Fischer-Zernin D8/68
D787,290 S * 5/2017 Meyer D8/68
2005/0001007 A1 * 1/2005 Butzen B25C 1/005
227/130
2012/0292472 A1 * 11/2012 Segura B25F 5/02
248/225.21

(**) Term: **15 Years**

(21) Appl. No.: **29/565,709**

(22) Filed: **May 24, 2016**

(30) **Foreign Application Priority Data**

Nov. 24, 2015 (JP) 2015-026164

(51) **LOC (10) Cl.** **08-05**

(52) **U.S. Cl.**
USPC **D8/68**

(58) **Field of Classification Search**
USPC D8/61-70
CPC .. B25C 1/001; B25C 1/04; B25C 1/06; B25C 1/041; B25C 1/047
See application file for complete search history.

(56) **References Cited**

U.S. PATENT DOCUMENTS

D353,664 S * 12/1994 Eminger D8/69
D483,240 S * 12/2003 Garvis D8/68
D484,383 S * 12/2003 Yang D8/68
D484,765 S * 1/2004 Yang D8/68
D500,655 S * 1/2005 Leasure D8/69
6,913,180 B2 * 7/2005 Schuster B25C 1/005
227/109
D512,620 S * 12/2005 Thomas D8/69

OTHER PUBLICATIONS

Jul. 27, 2016—JP Office Action—Des App 2015026164.
<https://www.amazon.com/Hitachi-NR83A3-Plastic-Collated-Framing/dp/B00FKAC9K4>, retrieved on Nov. 21, 2016 but publicly known prior to the date of filing of the present application.

* cited by examiner

Primary Examiner — Darlington Ly
(74) *Attorney, Agent, or Firm* — Banner & Witcoff, Ltd.

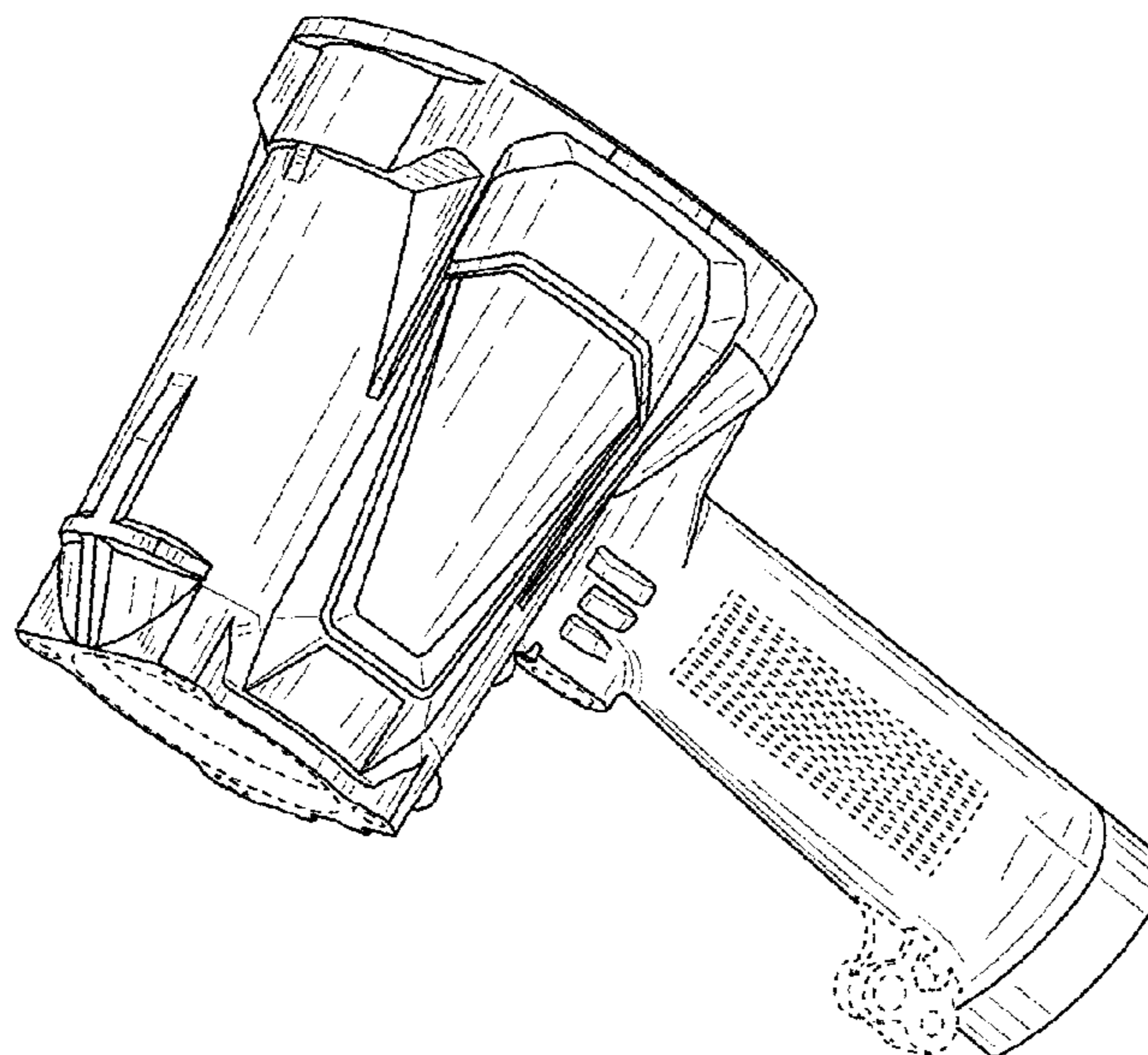
(57) **CLAIM**

The ornamental design for a nailer, as shown and described.

DESCRIPTION

FIG. 1 is a front perspective view of the nailer body showing our new design;
FIG. 2 is a front view thereof;
FIG. 3 is a rear view thereof;
FIG. 4 is a left side view thereof;
FIG. 5 is a right side view thereof;
FIG. 6 is a top view thereof; and,
FIG. 7 is a bottom view thereof.
The even broken lines in the drawings illustrate portions of the nailer that form no part of the claimed design.

1 Claim, 4 Drawing Sheets



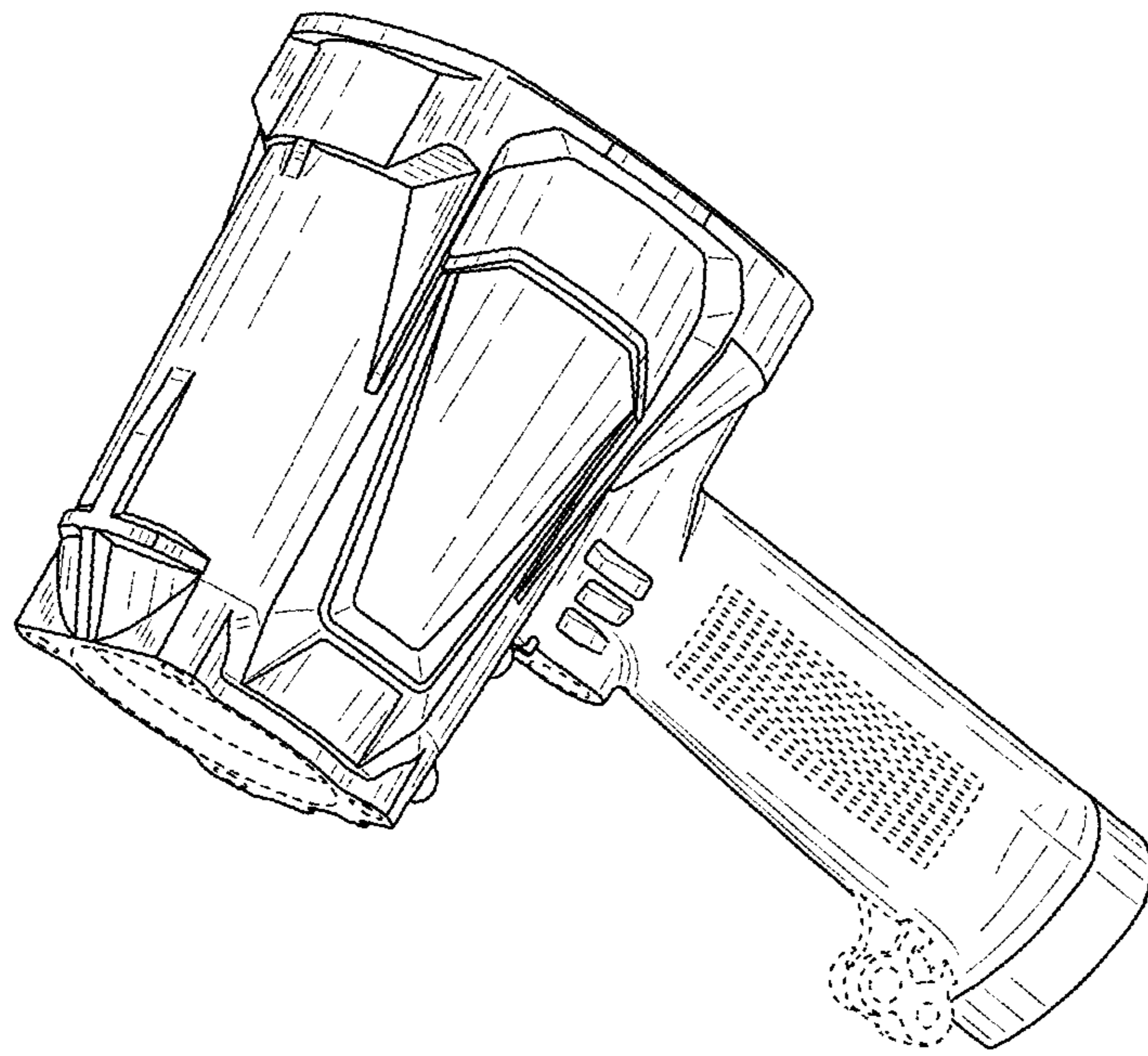


FIG. 1

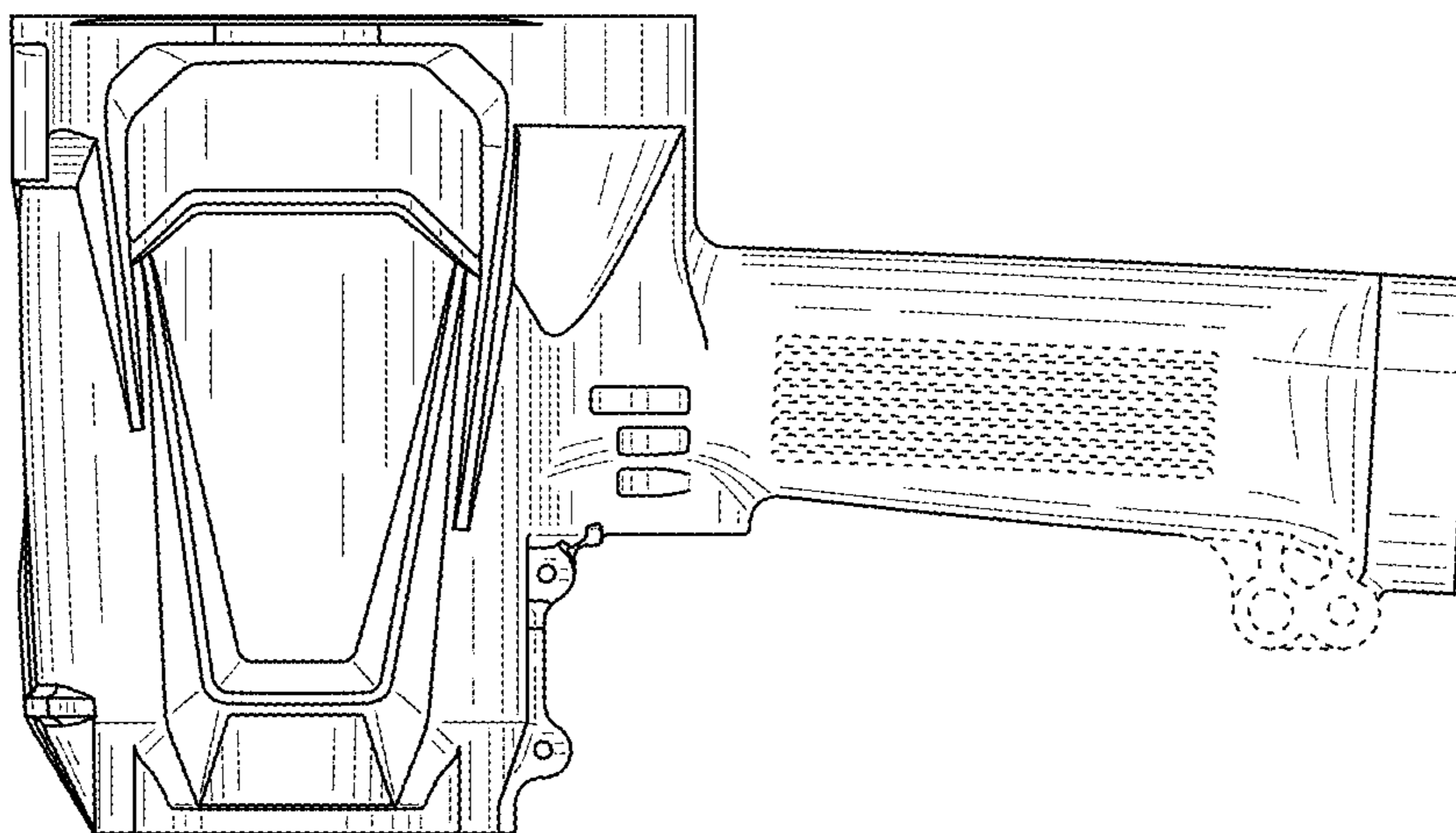


FIG. 2

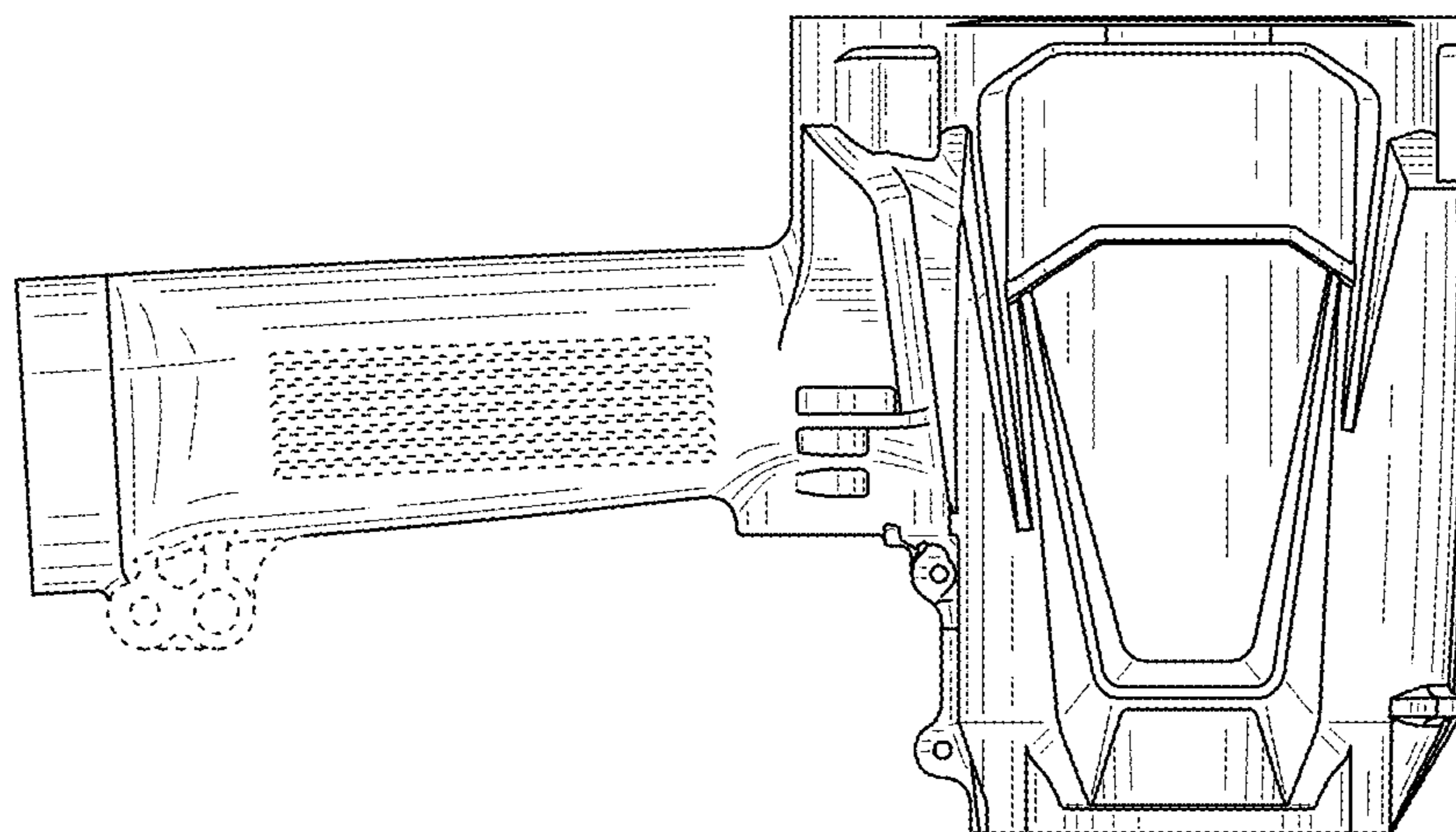


FIG. 3

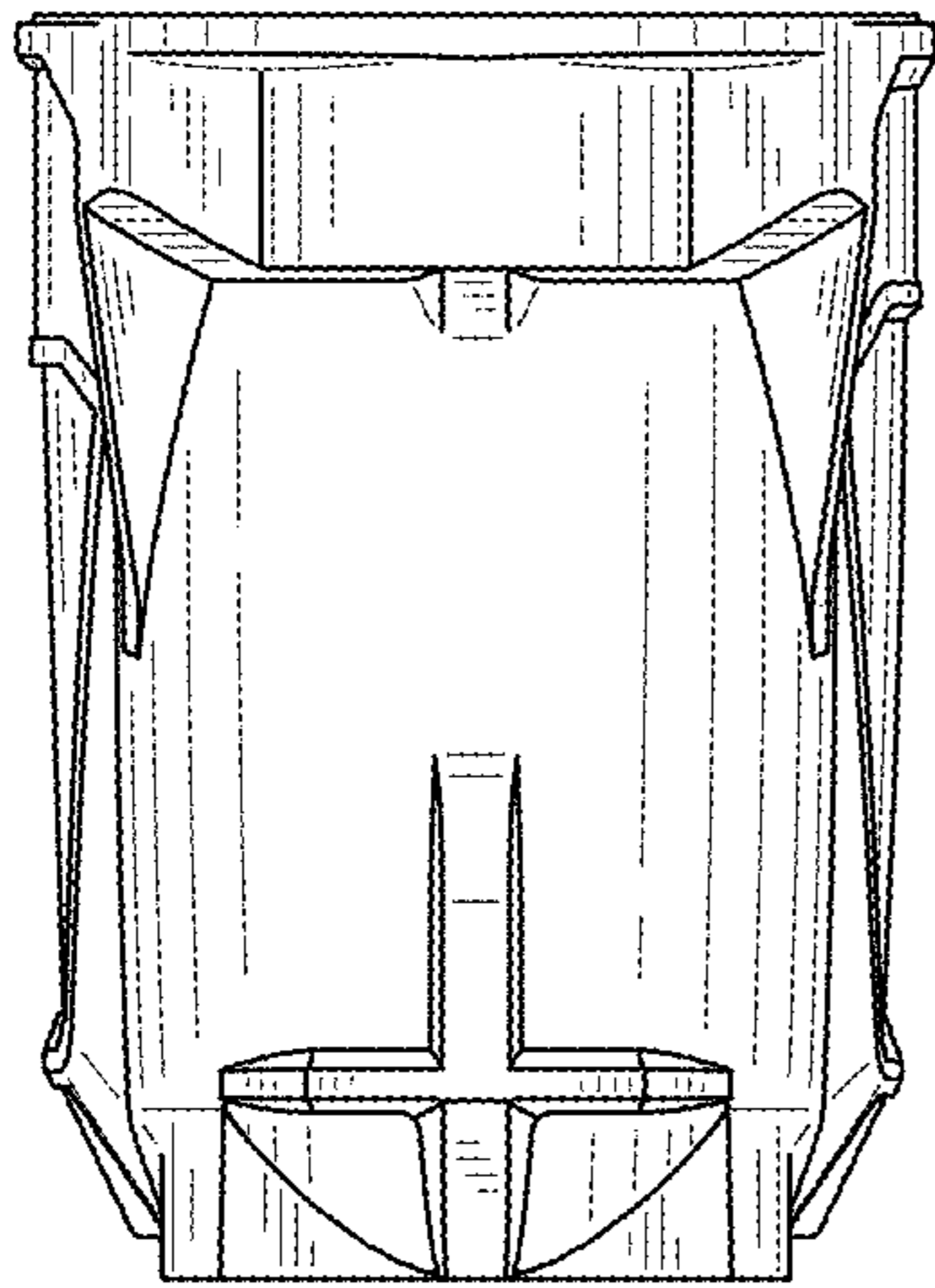


FIG. 4

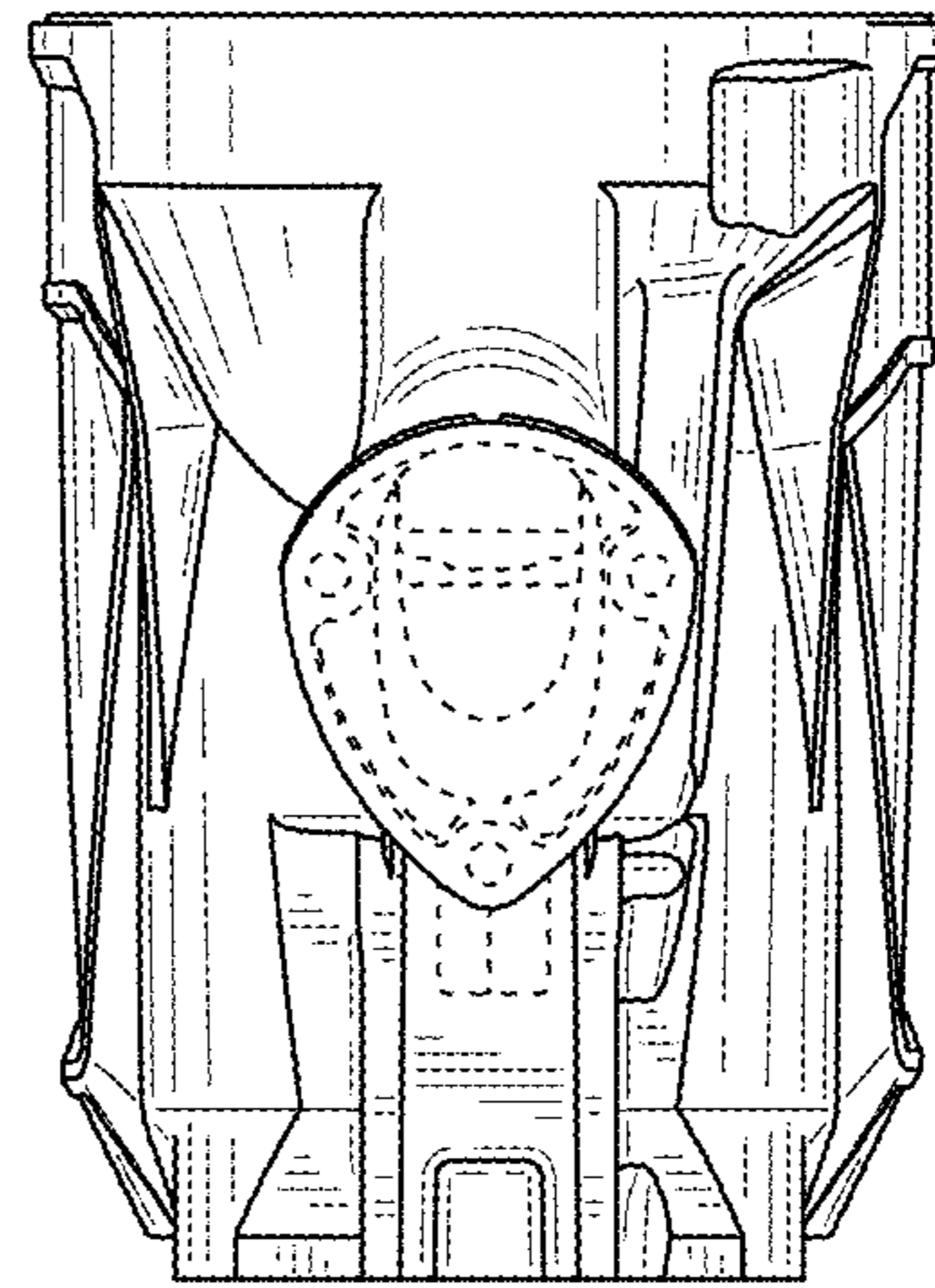


FIG. 5

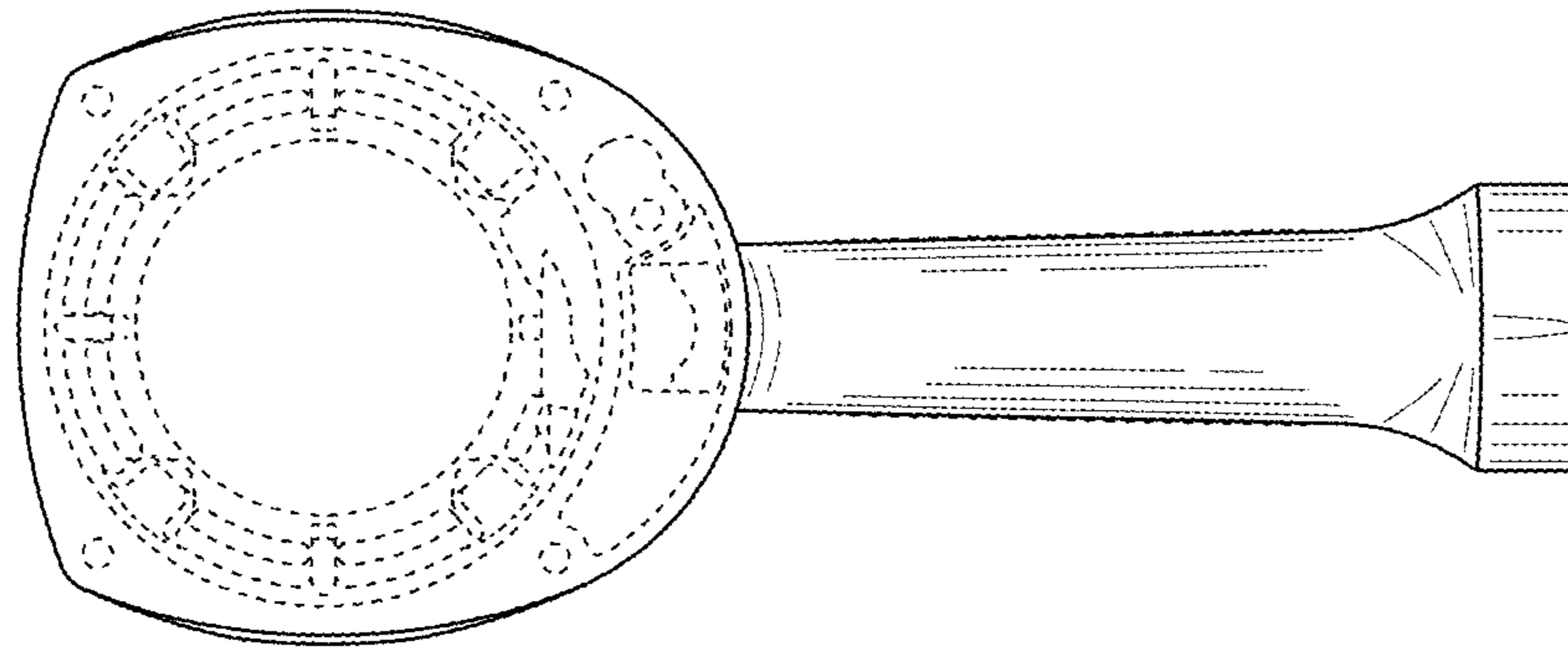


FIG. 6

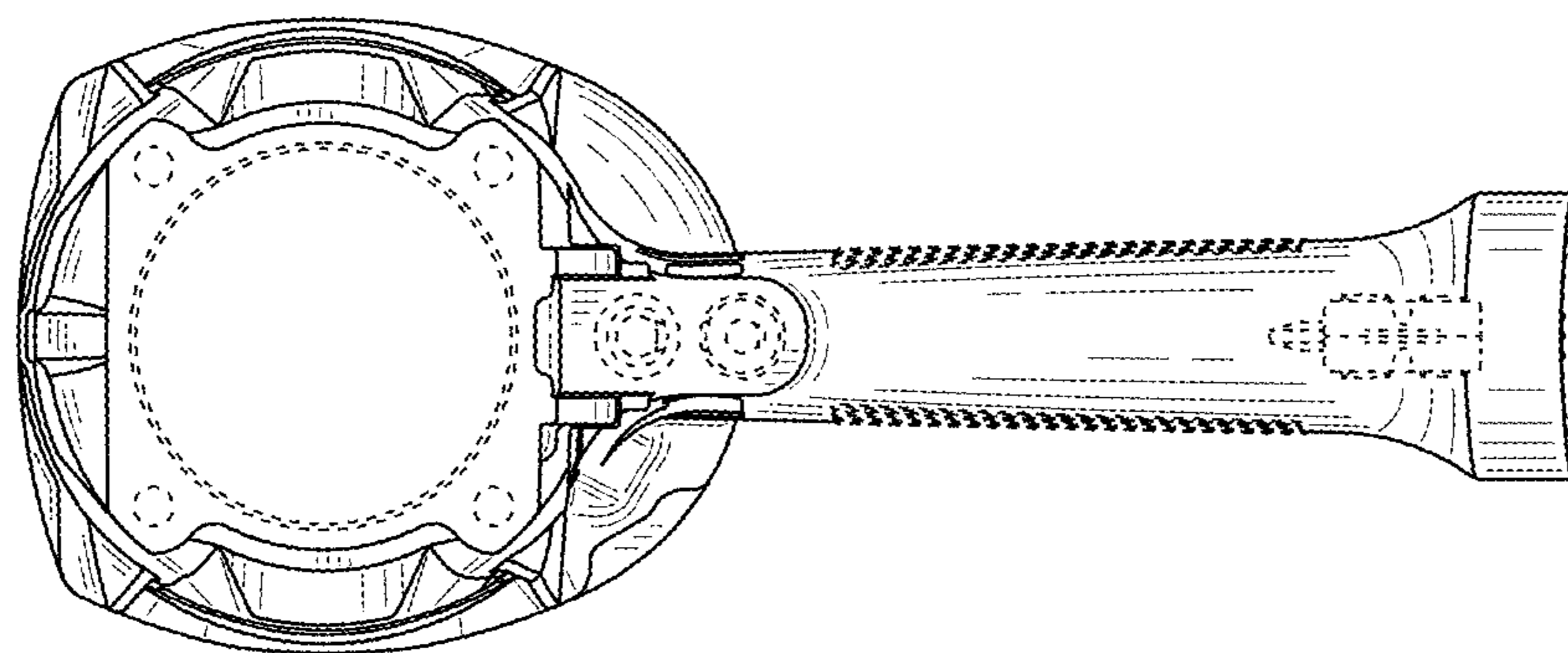


FIG. 7