



US00D800525S

(12) **United States Design Patent** (10) **Patent No.:** **US D800,525 S**
DeMarr et al. (45) **Date of Patent:** **** Oct. 24, 2017**

- (54) **CORDLESS CONCRETE NAILER**
- (71) Applicant: **BLACK & DECKER INC.**, New Britain, CT (US)
- (72) Inventors: **Dustin L. DeMarr**, Nottingham, MD (US); **Stuart E. Garber**, Towson, MD (US); **Gabriel E. Concari**, Eldersburg, MD (US)
- (73) Assignee: **BLACK & DECKER INC.**, New Britain, CT (US)
- (**) Term: **15 Years**
- (21) Appl. No.: **29/565,341**
- (22) Filed: **May 19, 2016**
- (51) **LOC (10) Cl.** **08-05**
- (52) **U.S. Cl.**
USPC **D8/68**
- (58) **Field of Classification Search**
USPC D8/61-70
CPC .. B25C 1/001; B25C 1/04; B25C 1/06; B25C 1/041; B25C 1/047
See application file for complete search history.

D519,809 S *	5/2006	Taniguchi	D8/69
D520,839 S *	5/2006	Miwa	D8/69
D540,136 S *	4/2007	Aguirre	D8/69
D551,931 S *	10/2007	Leasure	D8/69
D556,003 S *	11/2007	Buck	D8/69
D562,664 S *	2/2008	Buck	D8/69
D575,127 S *	8/2008	Buck	D8/69
D575,607 S *	8/2008	Buck	D8/69
D582,743 S *	12/2008	Buck	D8/68
7,677,426 B2 *	3/2010	Tillinghast	B25C 1/043 227/10
D677,543 S *	3/2013	Jerabek	D8/68
D678,026 S *	3/2013	Buck	D8/68
D756,739 S *	5/2016	Caglar	D8/68
D756,740 S *	5/2016	Caglar	D8/68
9,469,022 B2 *	10/2016	Ishikawa	B25C 1/005
2005/0001007 A1 *	1/2005	Butzen	B25C 1/005 227/130

* cited by examiner

Primary Examiner — Darlington Ly

(74) *Attorney, Agent, or Firm* — Rhonda L. Barton

(57) **CLAIM**

The ornamental design for a cordless concrete nailer, as shown and described.

DESCRIPTION

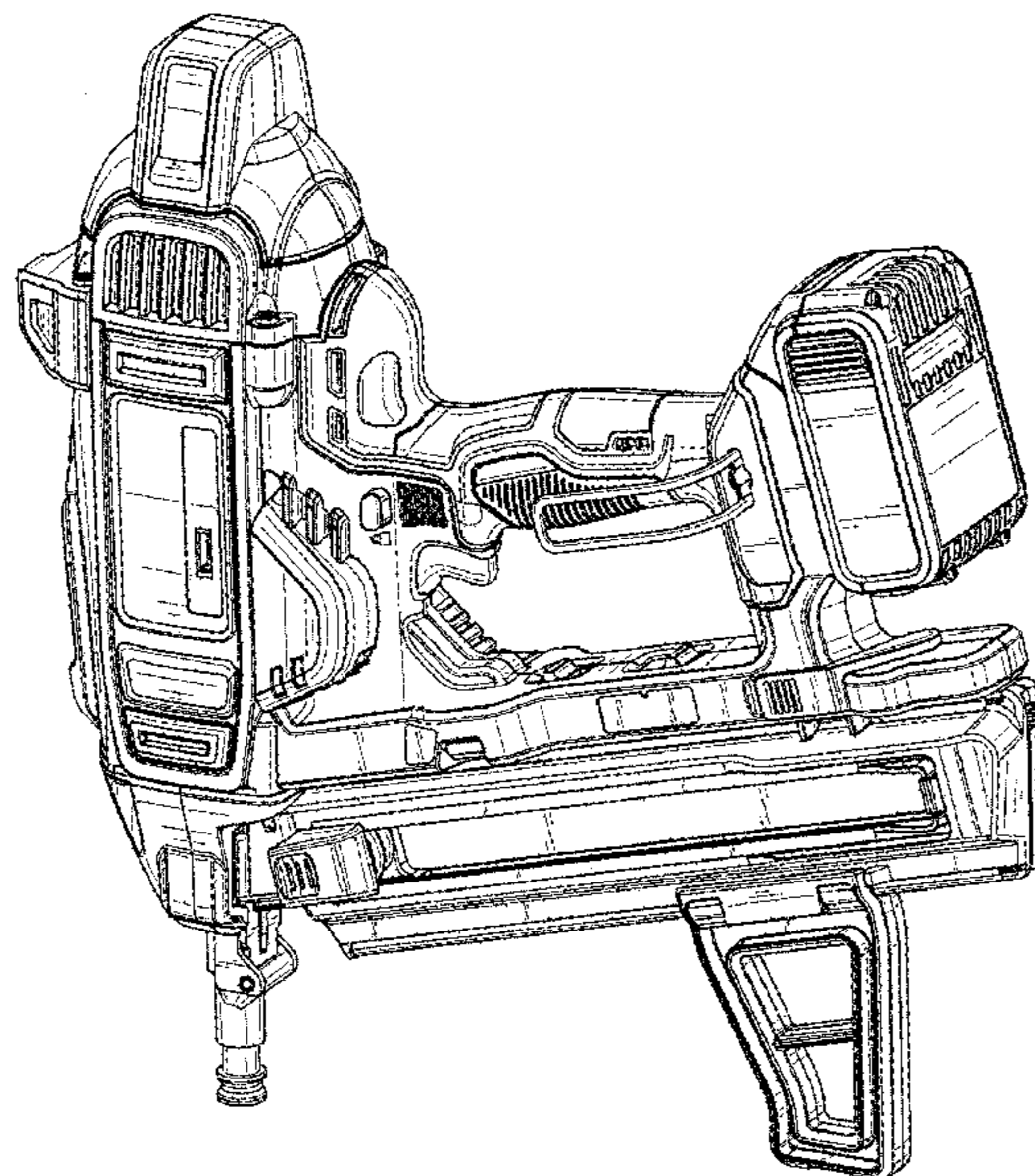
FIG. 1 is a bottom and right-side perspective of a cordless concrete nailer showing our new design; FIG. 2 is a top and left-side perspective view; FIG. 3 is a top plan view thereof; FIG. 4 is a bottom plan view thereof; FIG. 5 is a left-side elevation view thereof; FIG. 6 is a right-side elevation view thereof; FIG. 7 is a rear elevation view thereof; and, FIG. 8 is a front elevation view thereof.

1 Claim, 6 Drawing Sheets

(56) **References Cited**

U.S. PATENT DOCUMENTS

D260,354 S *	8/1981	Proops	D8/61
D416,182 S *	11/1999	Kaiser	D8/69
D435,206 S *	12/2000	Etter	D8/68
D483,240 S *	12/2003	Garvis	D8/68
D486,712 S *	2/2004	Yao	D8/68
D500,655 S *	1/2005	Leasure	D8/69
D512,291 S *	12/2005	Thomas	D8/69
D512,620 S *	12/2005	Thomas	D8/69
D514,911 S *	2/2006	Thomas	D8/69



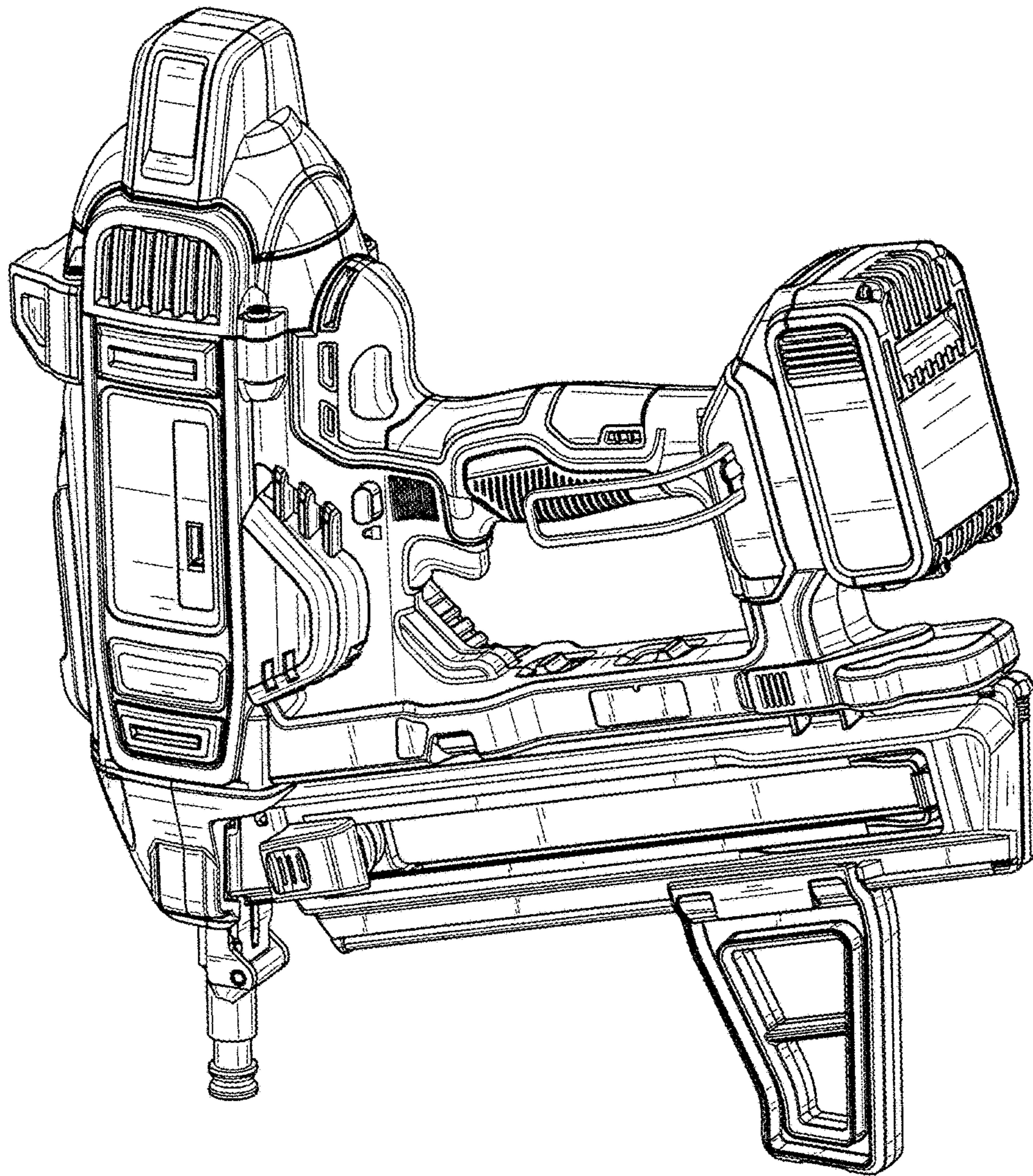


FIG. 1

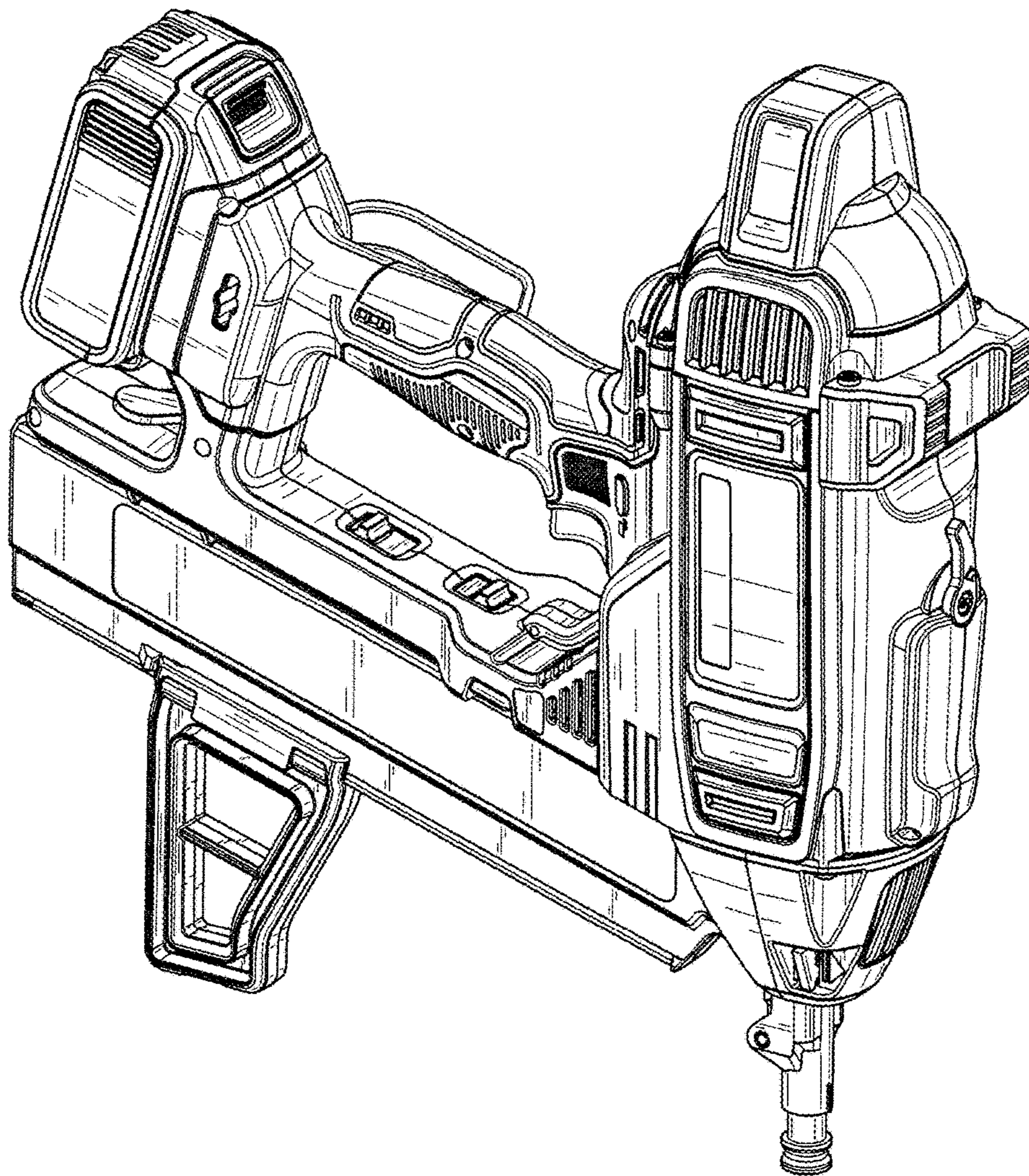


FIG. 2

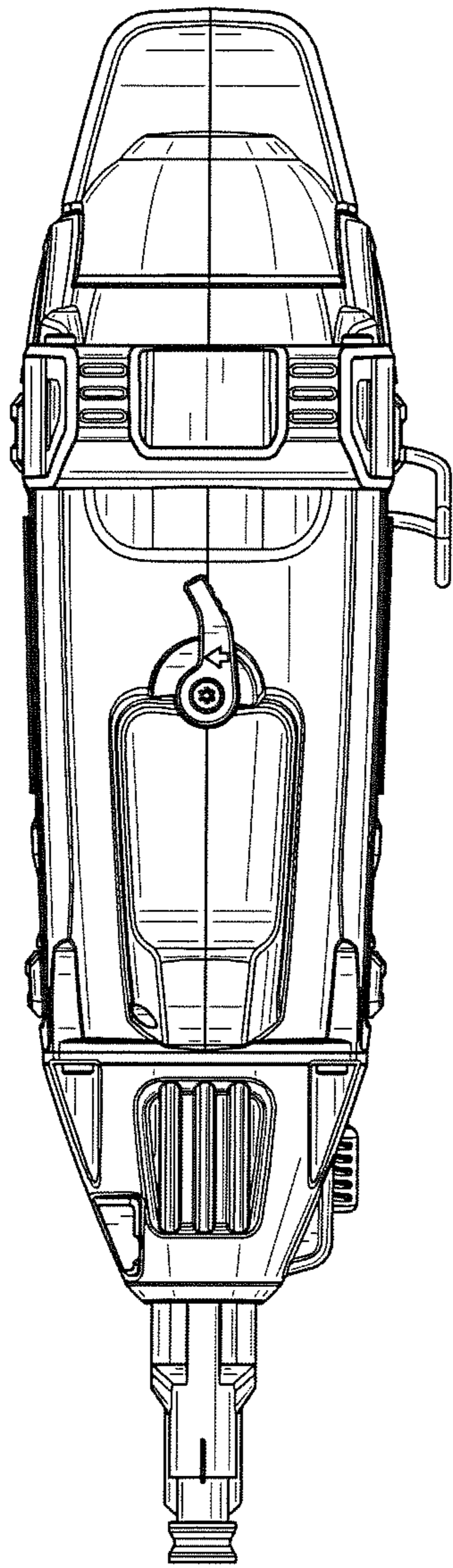


FIG. 3

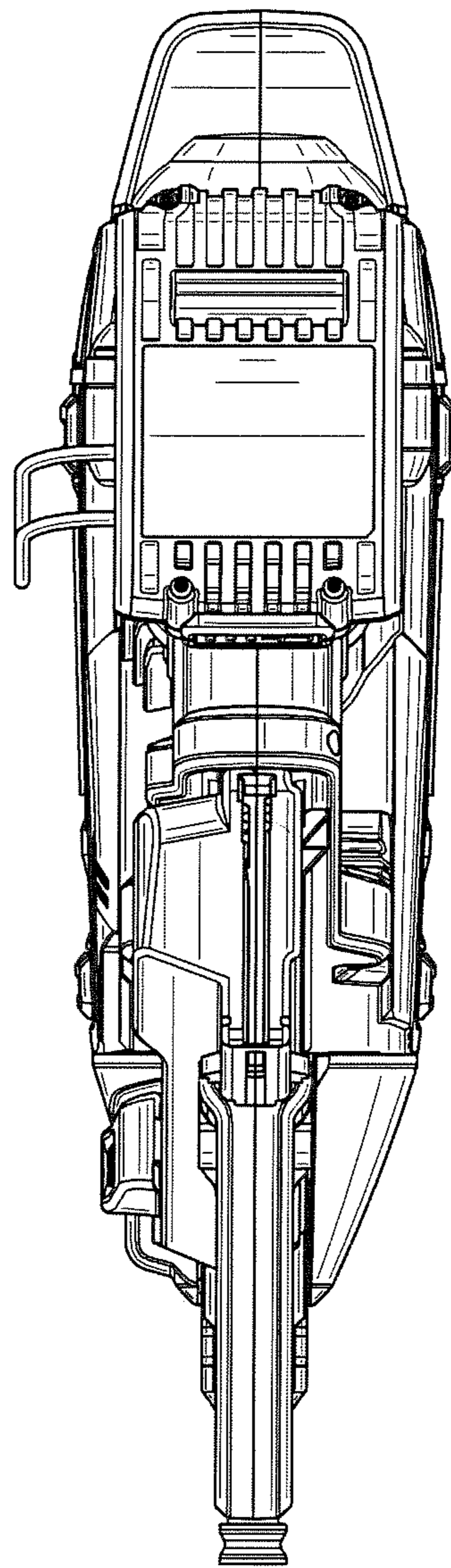


FIG. 4

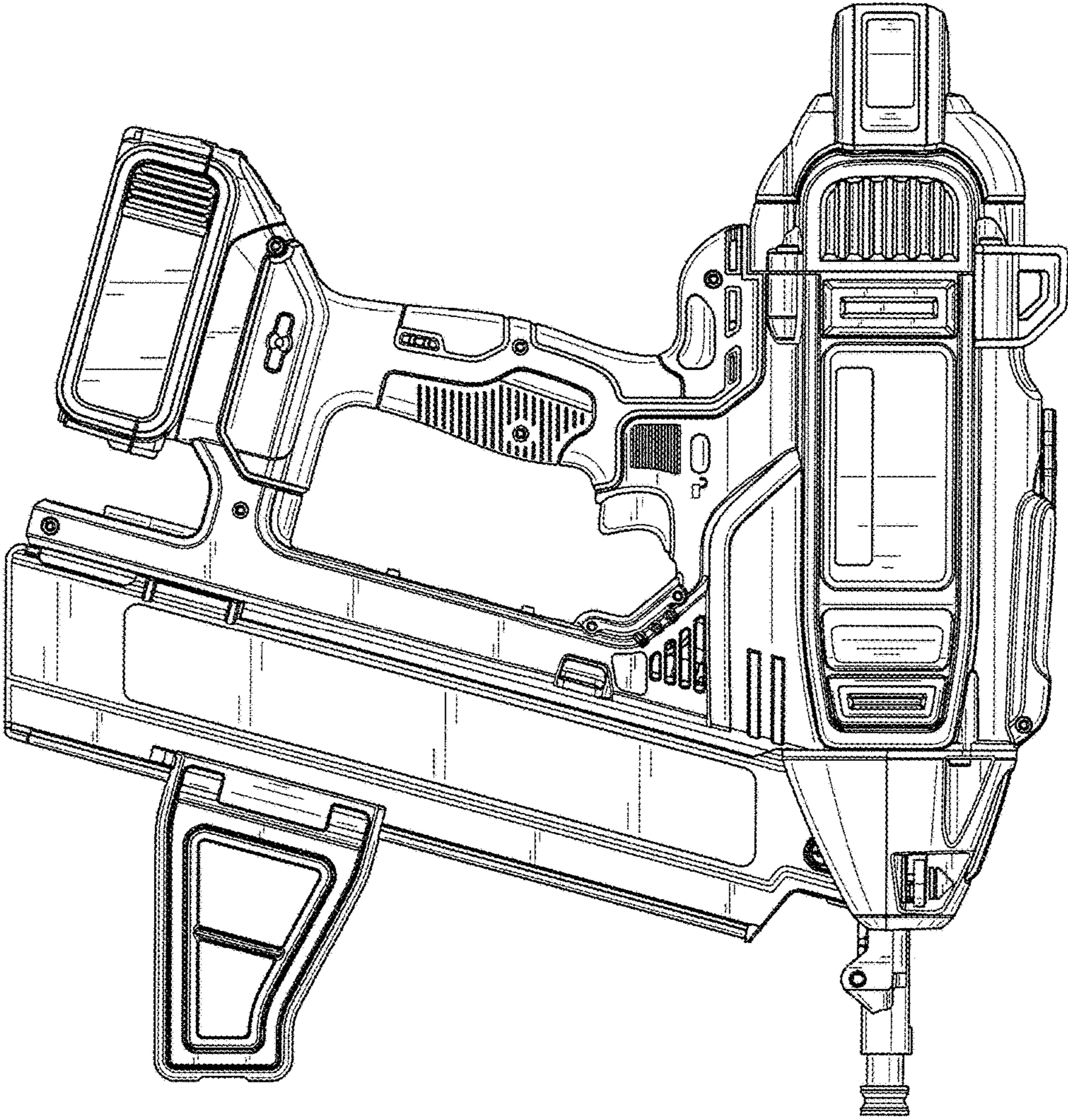


FIG. 5

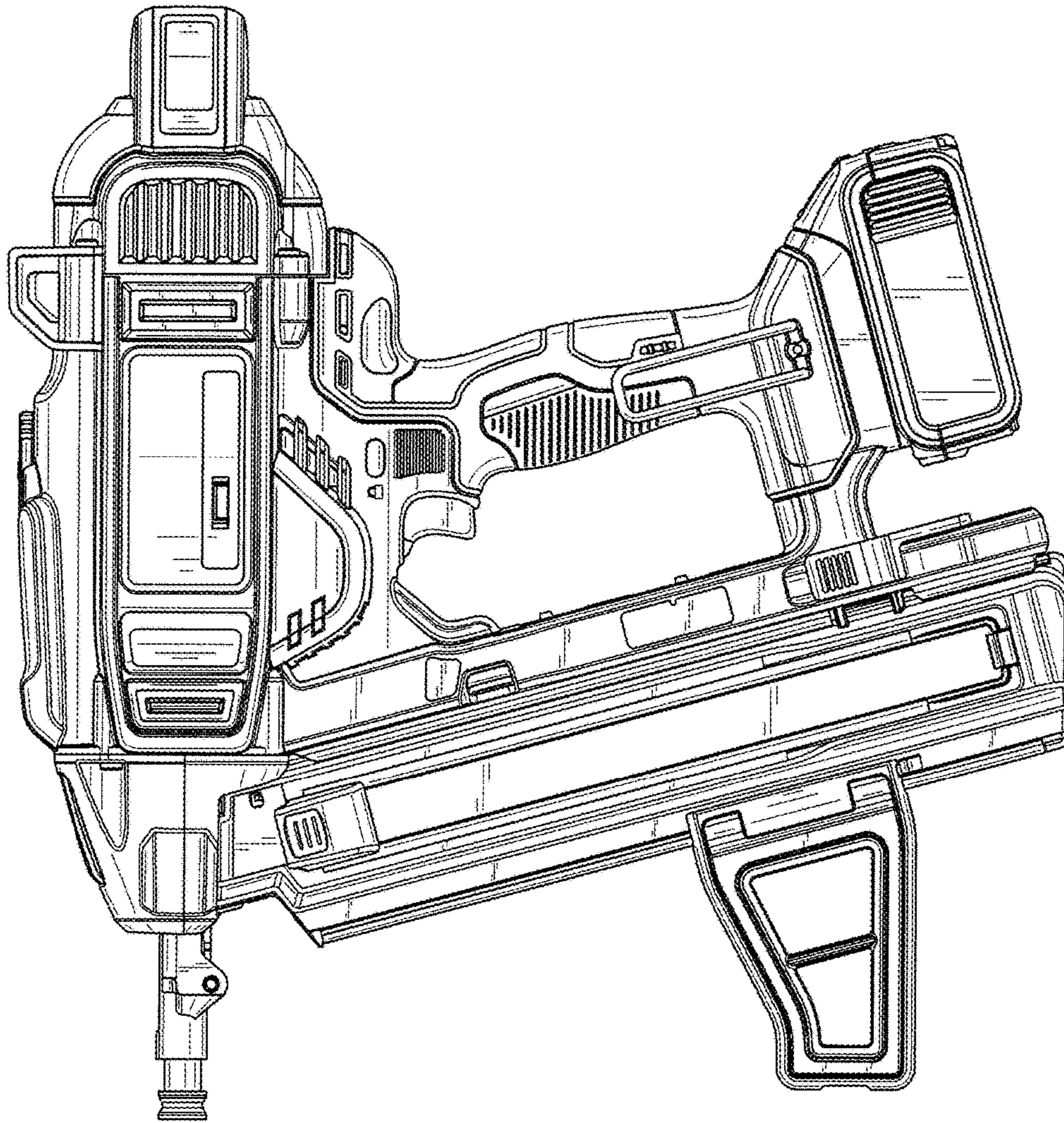


FIG. 6

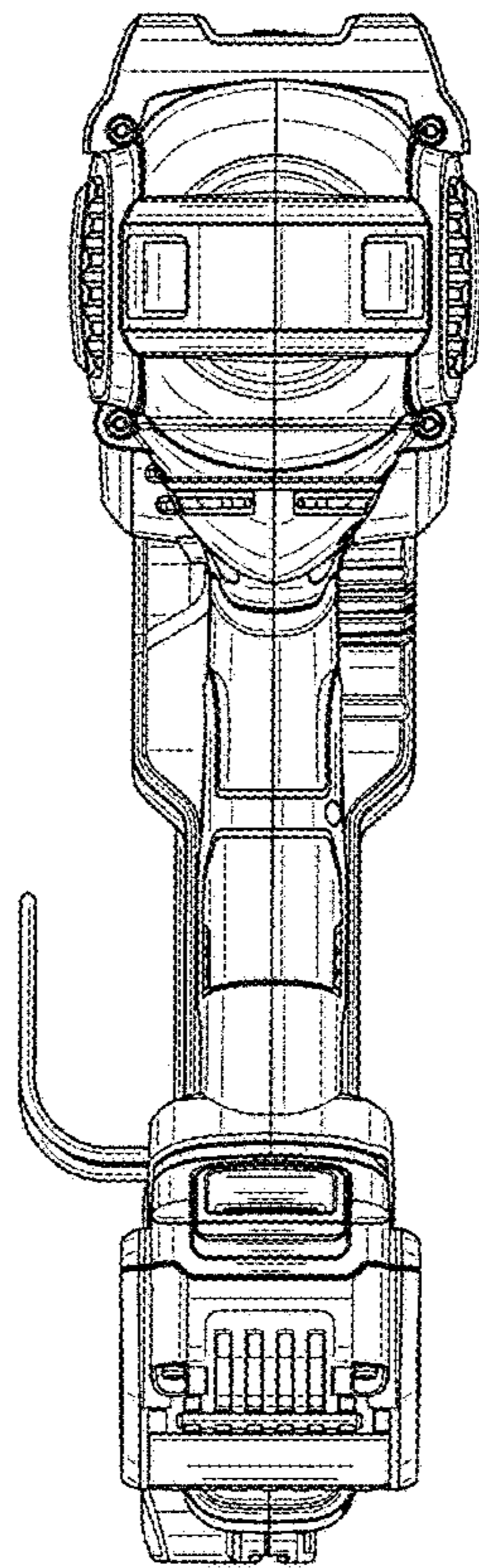


FIG. 7

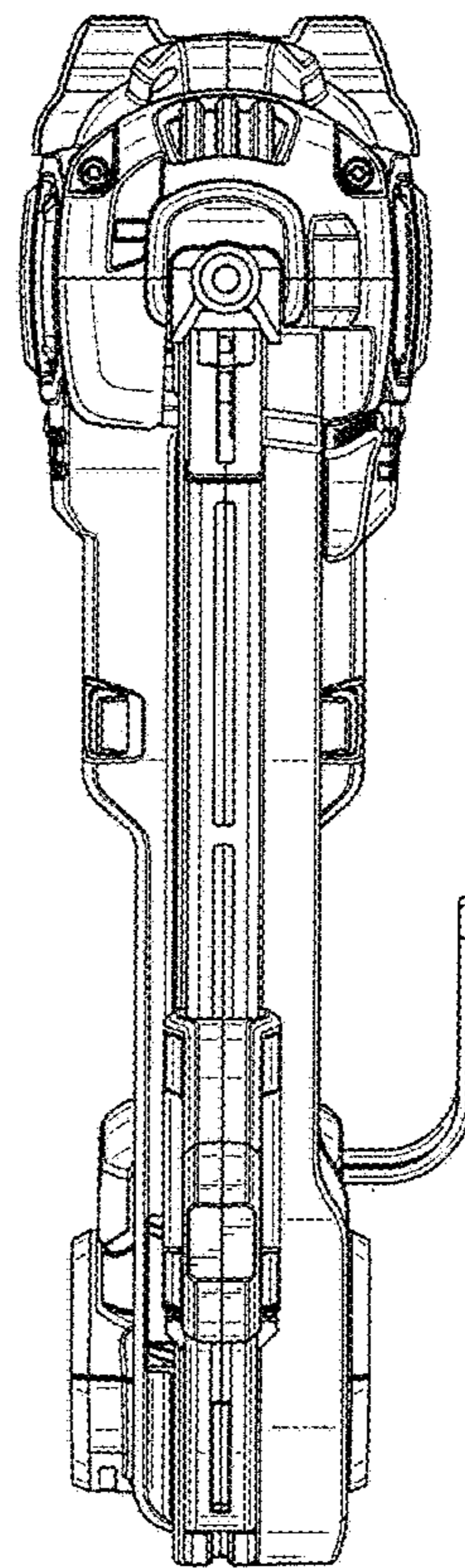


FIG. 8