



US00D800523S

(12) **United States Design Patent**  
**Lin**

(10) **Patent No.:** **US D800,523 S**  
(45) **Date of Patent:** **\*\* Oct. 24, 2017**

(54) **SOCKET FOR POWER TOOL**  
(71) Applicant: **Fu-Hsing Lin**, Taipei (TW)  
(72) Inventor: **Fu-Hsing Lin**, Taipei (TW)  
(73) Assignee: **Fu-Hsing Lin**, Taipei (TW)  
(\*\*) Term: **15 Years**

5,865,078 A \* 2/1999 Langford ..... B25B 13/50  
81/176.15  
D439,481 S \* 3/2001 Lin ..... D8/29  
D705,282 S \* 5/2014 Jones, Jr. .... D15/139

\* cited by examiner

*Primary Examiner* — Randall Gholson

(21) Appl. No.: **29/580,670**  
(22) Filed: **Oct. 12, 2016**  
(51) **LOC (10) Cl.** ..... **08-05**  
(52) **U.S. Cl.**  
USPC ..... **D8/29**  
(58) **Field of Classification Search**  
USPC ..... D8/29; 81/60, 177.1, 177.85, 121.1,  
81/124.3, 165-170, 110.1, 176.2, 124.6,  
81/176.1, 176.15, 177.2; 16/110.1  
CPC ..... B25B 13/06  
See application file for complete search history.

(57) **CLAIM**

The ornamental design for a socket for power tool, as shown and described.

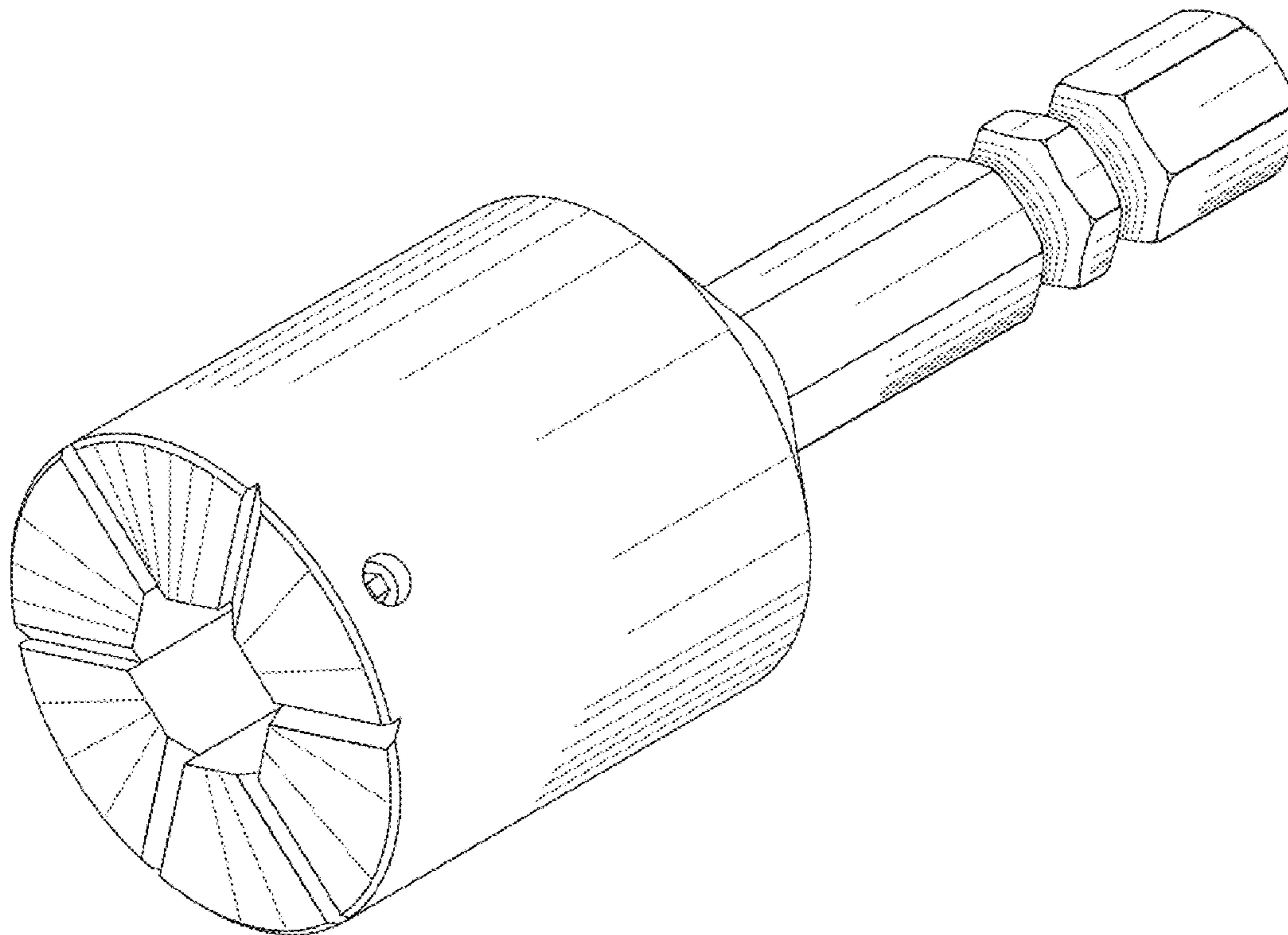
**DESCRIPTION**

FIG. 1 is a perspective view of a socket for power tool, showing my new design;  
FIG. 2 is a front view of the socket for power tool;  
FIG. 3 is a rear view of the socket for power tool;  
FIG. 4 is a left side view of the socket for power tool;  
FIG. 5 is a right side view of the socket for power tool;  
FIG. 6 is a top view of the socket for power tool; and,  
FIG. 7 is a bottom view of the socket for power tool.

(56) **References Cited**  
U.S. PATENT DOCUMENTS

D385,762 S \* 11/1997 Marks ..... D8/29

**1 Claim, 7 Drawing Sheets**



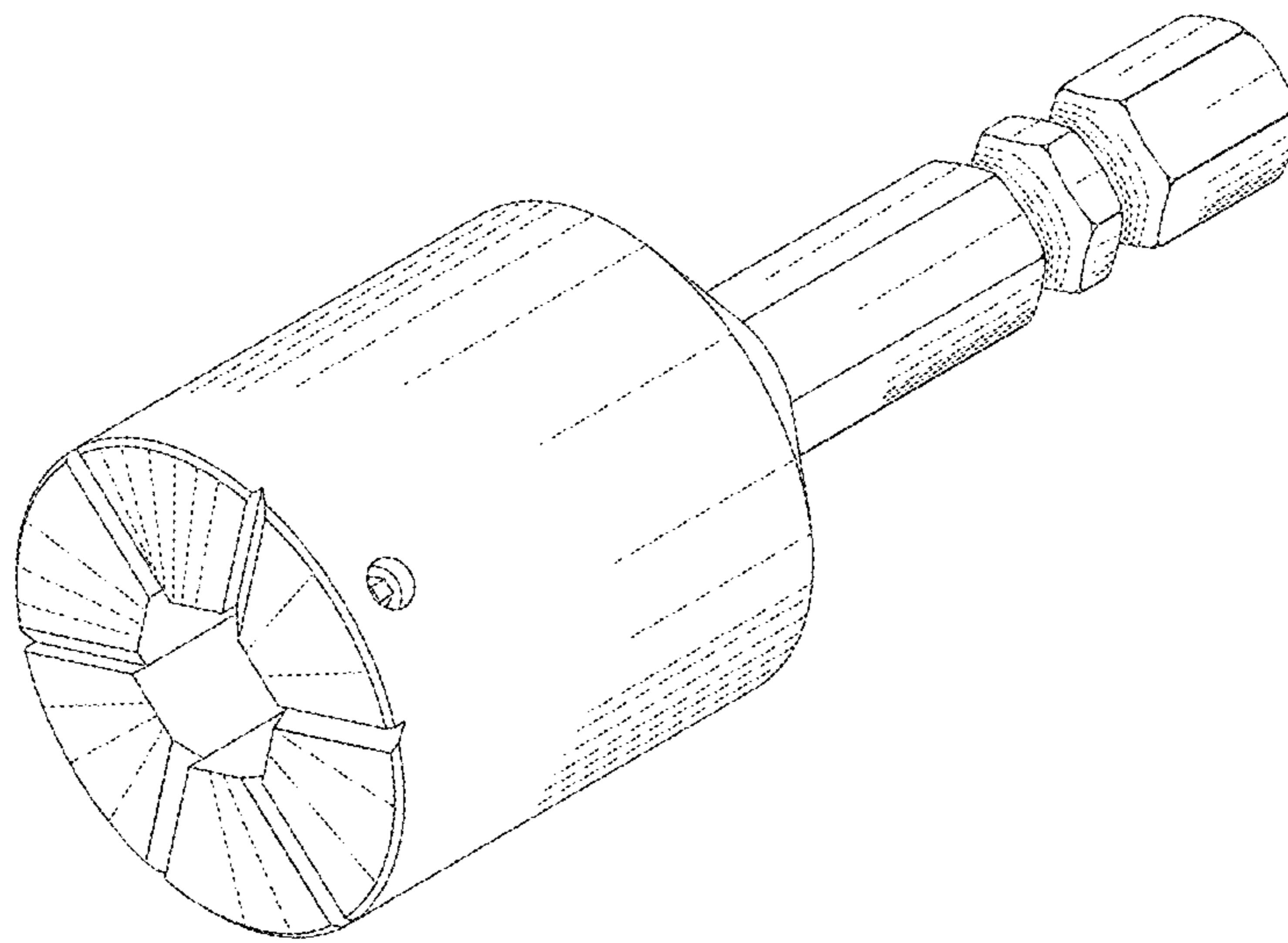


FIG. 1

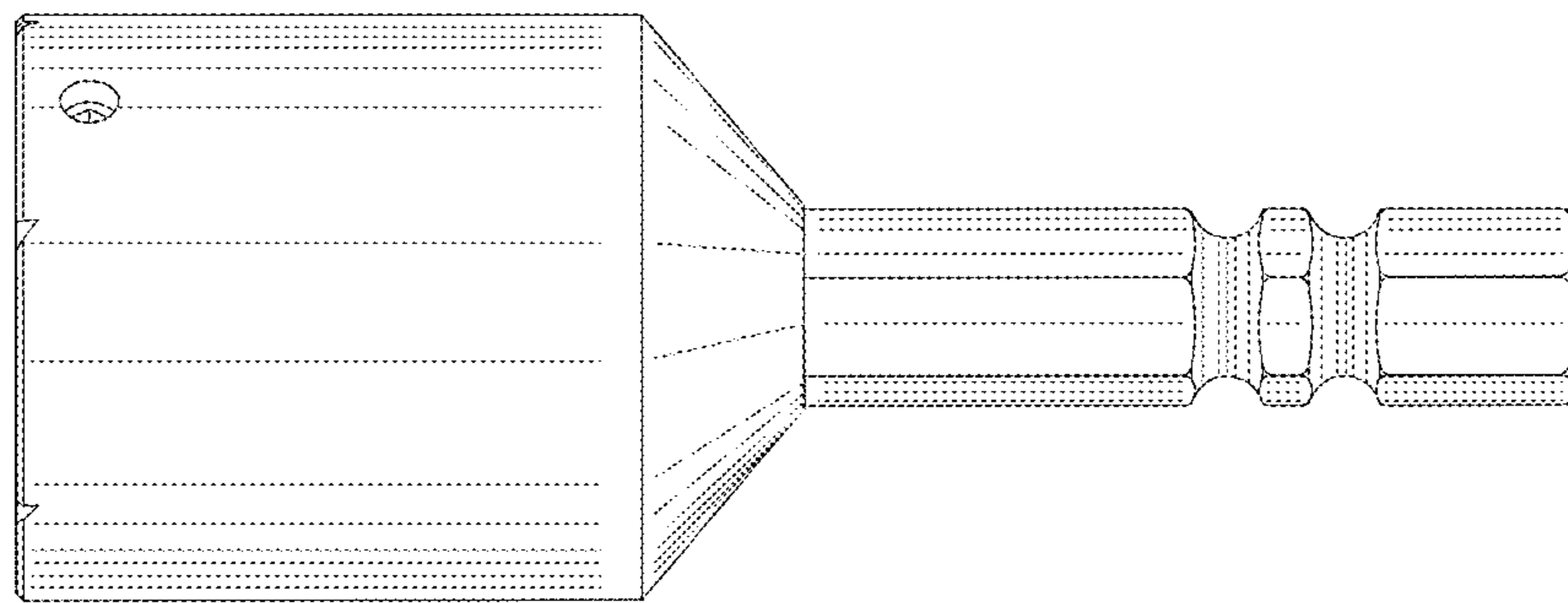


FIG.2

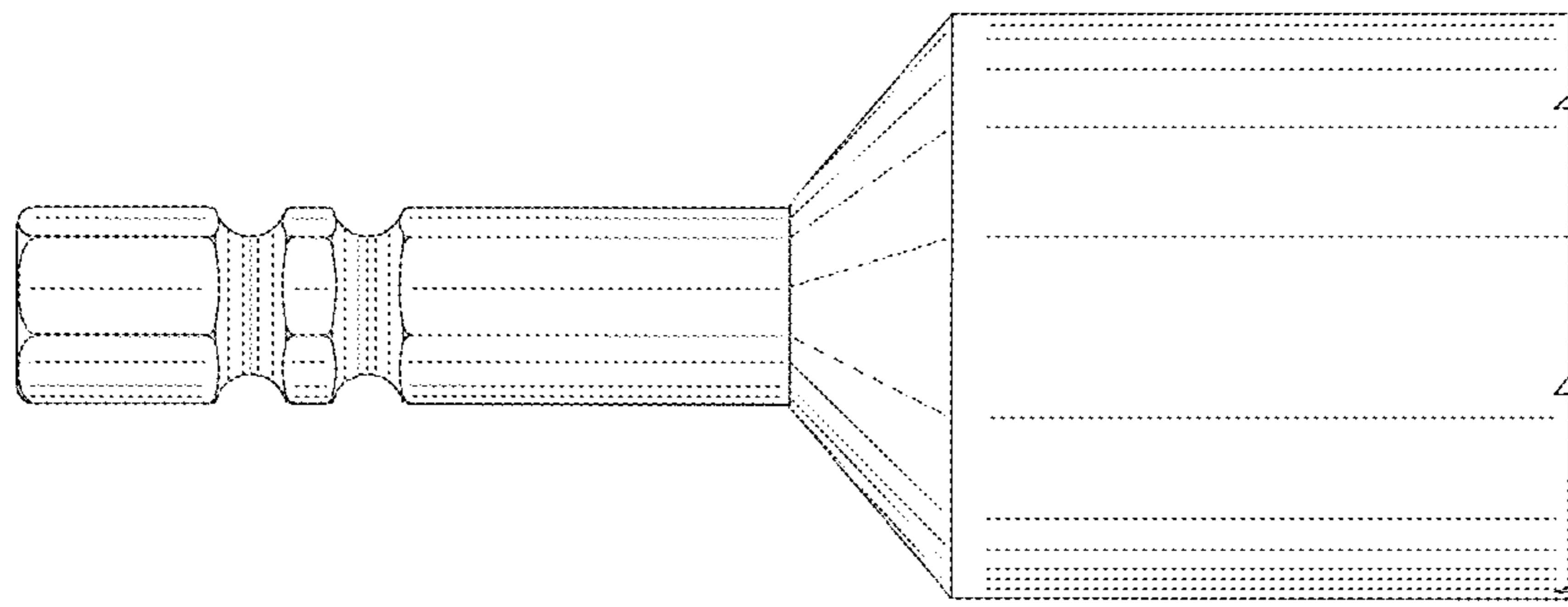


FIG.3

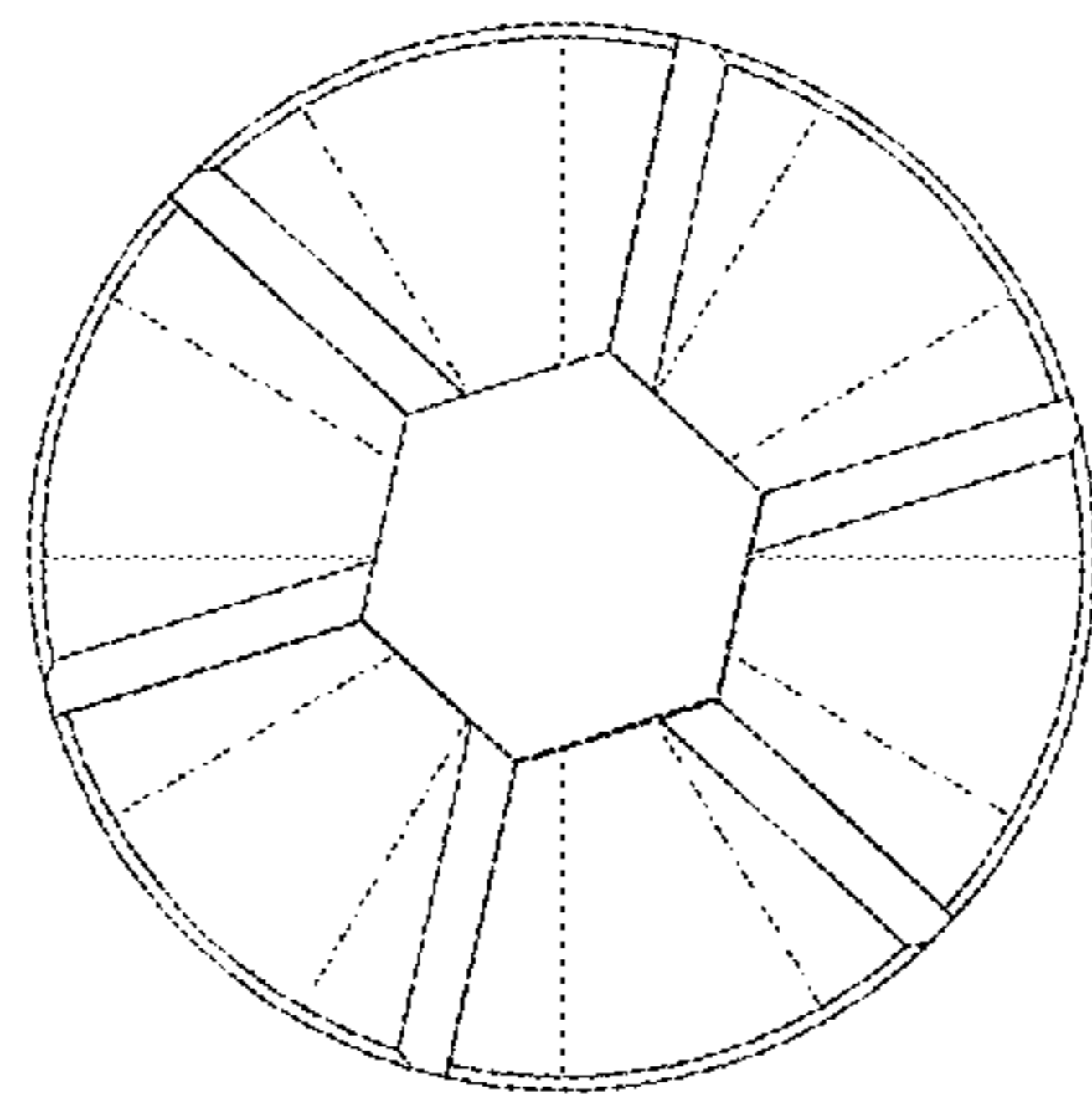


FIG.4

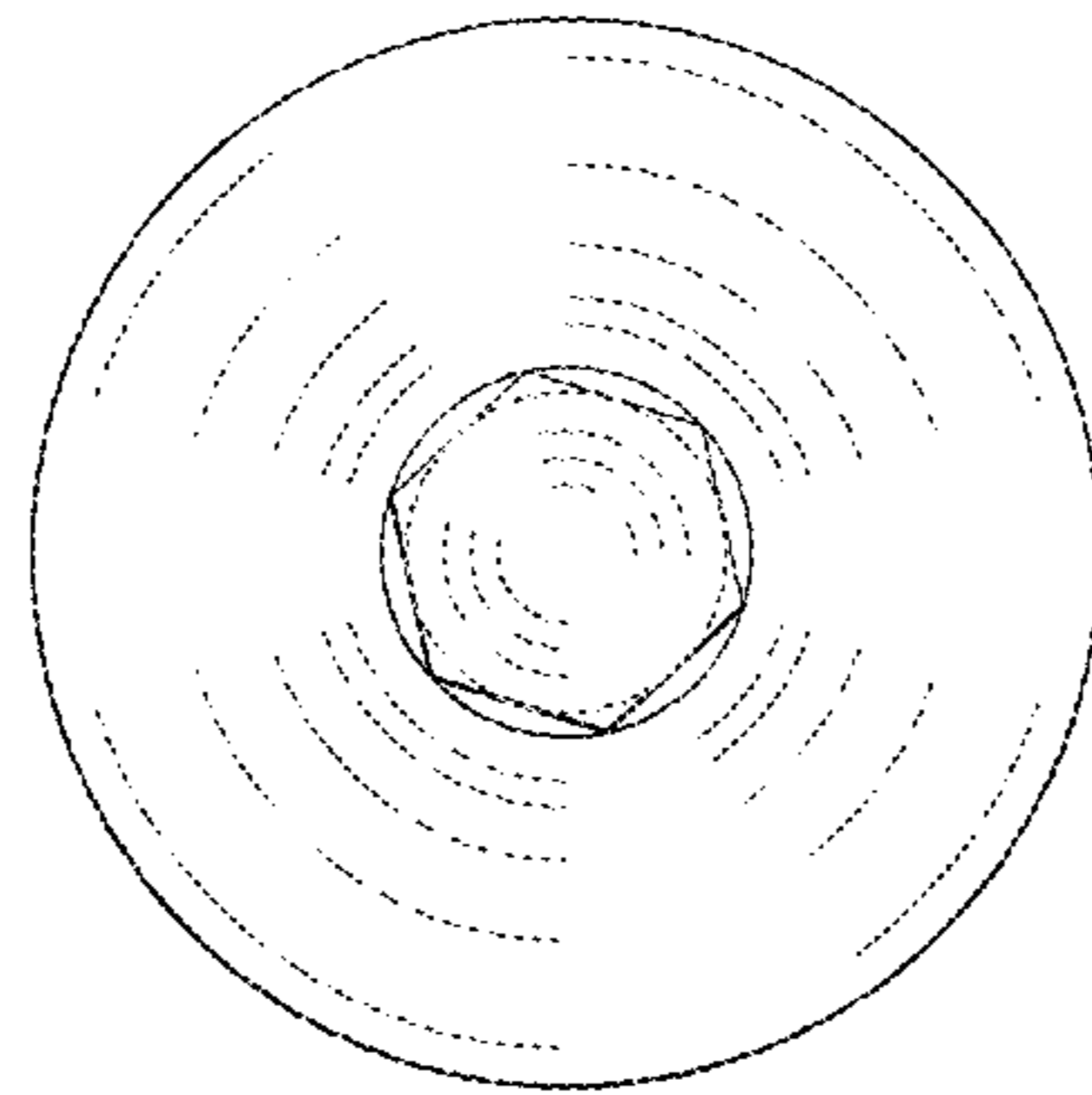


FIG.5

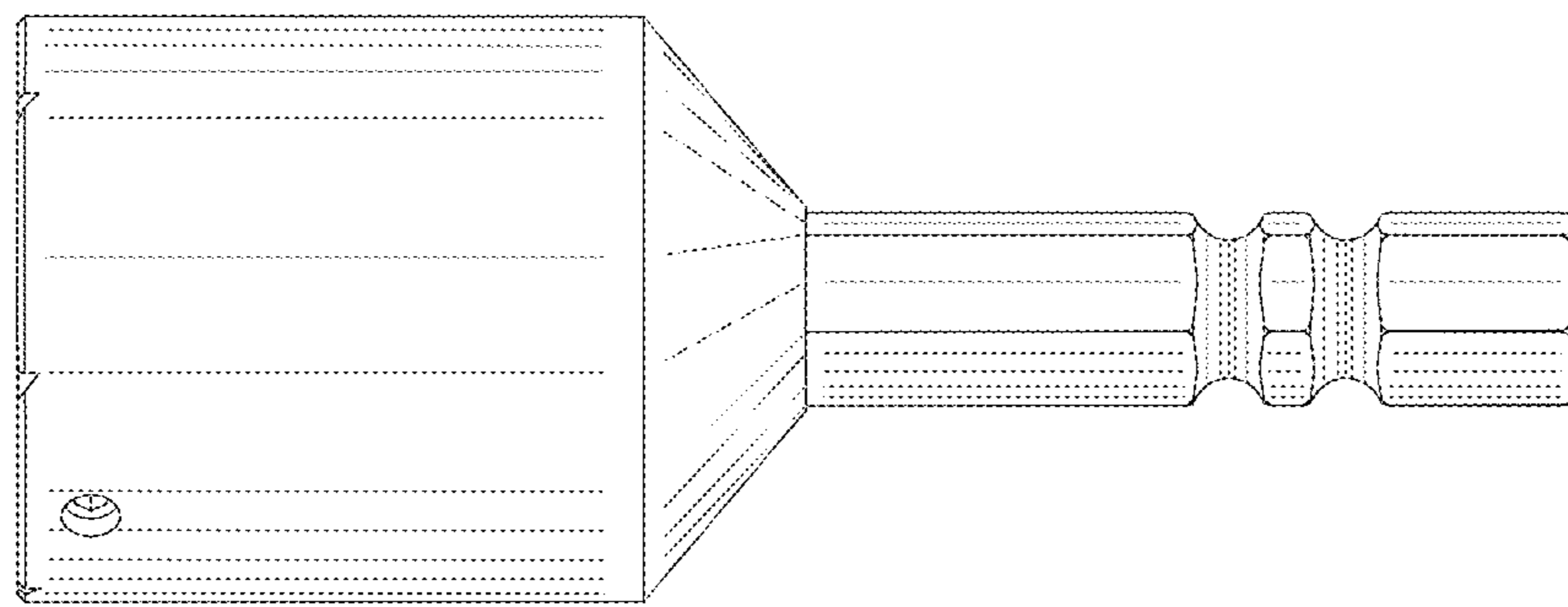


FIG.6

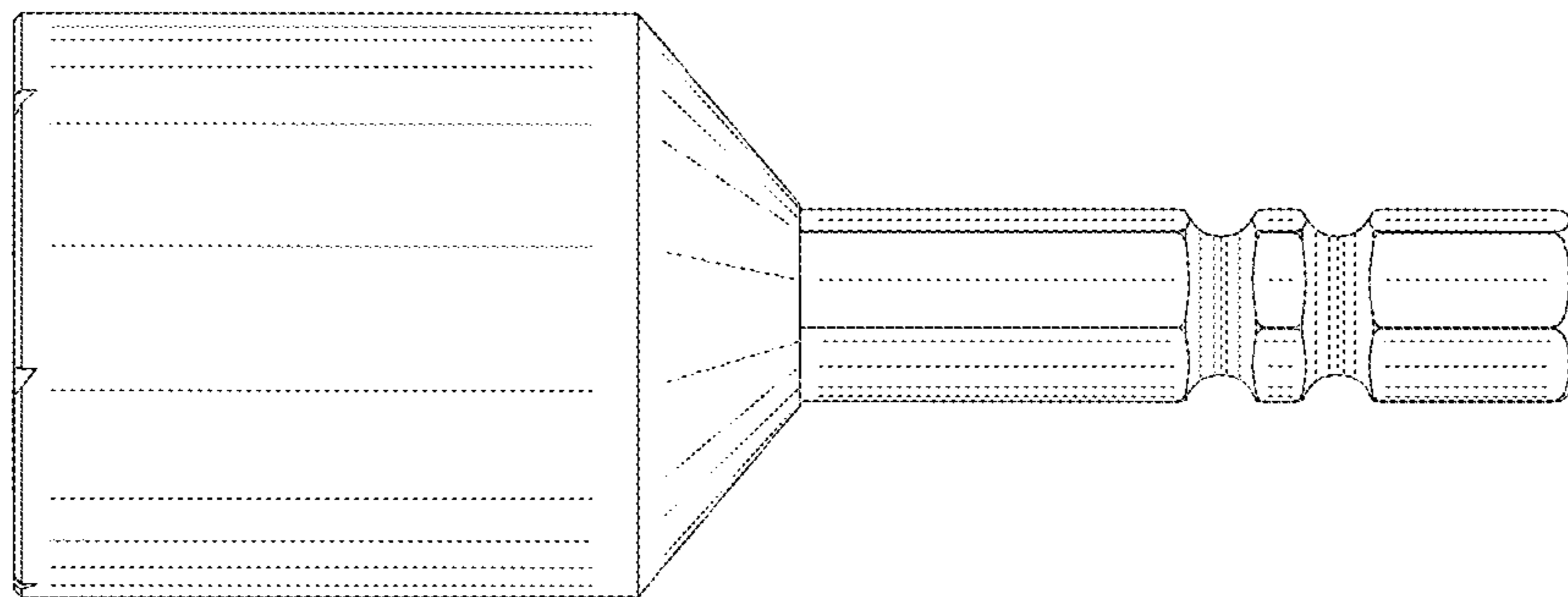


FIG. 7