

US00D800521S

(12) **United States Design Patent**
Vontsteen

(10) **Patent No.:** **US D800,521 S**
(45) **Date of Patent:** **** Oct. 24, 2017**

(54) **TOOL FOR MOUNTING PANELS OR PLASTERBOARDS**

(71) Applicant: **PLAFONDSPECHT BV**, Wormer (NL)

(72) Inventor: **Jan Vontsteen**, Wormer (NL)

(**) Term: **15 Years**

(21) Appl. No.: **35/500,984**

(22) Filed: **Feb. 24, 2016**

(80) **Hague Agreement Data**

Int. Filing Date: **Feb. 24, 2016**

Int. Reg. No.: **DM/090527**

Int. Reg. Date: **Feb. 24, 2016**

Int. Reg. Pub. Date: **May 20, 2016**

(51) **LOC (10) Cl.** **08-05**

(52) **U.S. Cl.**
USPC **D8/16**

(58) **Field of Classification Search**
USPC D8/14, 15, 16, 19, 88, 89, 371, 45, 380
CPC ... E04F 21/18; E04F 21/1805; E04F 21/1811;
E04F 21/1816; E04F 21/1838; E04F
21/1844; E04F 21/185; E04F 21/1861;
E04F 21/1894; Y10S 269/904; Y10S
269/909

See application file for complete search history.

(56) **References Cited**

U.S. PATENT DOCUMENTS

- 745,984 A * 12/1903 Alkire B65H 49/205
242/442
- 4,350,445 A * 9/1982 Olsson B01F 13/002
366/129
- D269,154 S * 5/1983 Freedman 16/DIG. 24
- D270,944 S * 10/1983 Hostetler D24/130
- D282,344 S * 1/1986 Wilcox D8/14

- 4,658,455 A * 4/1987 Skillern A47L 13/512
248/211
- D296,411 S * 6/1988 Madsen D8/18
- D323,967 S * 2/1992 Talbot D8/98
- D347,981 S * 6/1994 Suggs, Sr. D8/14
- 5,407,183 A * 4/1995 Singeltary E04F 21/185
248/300
- 5,497,812 A * 3/1996 Orosco F04B 23/023
141/18
- D416,178 S * 11/1999 Moore D8/16
- D433,604 S * 11/2000 Tipp D8/14
- D558,542 S * 1/2008 Kiely D8/19
- D570,574 S * 6/2008 Liebenstein D34/28
- D575,613 S * 8/2008 Jennings D8/98
- 7,735,806 B2 * 6/2010 Prater B25B 27/00
254/25
- D619,199 S * 7/2010 Purcell D22/199
- D628,866 S * 12/2010 Serret D8/17
- D630,909 S * 1/2011 Freese D7/683
- D631,319 S * 1/2011 Davis D8/88
- D642,027 S * 7/2011 Serret D8/17
- D672,625 S * 12/2012 Serret D8/17
- D714,612 S * 10/2014 Gropl D8/98

* cited by examiner

Primary Examiner — Elizabeth Albert

(57) **CLAIM**

The ornamental design for a tool for mounting panels or plasterboards, as shown and described.

DESCRIPTION

1. Tool for mounting panels or plasterboards

1.1 : Perspective

1.2 : Perspective

1.3 : Right

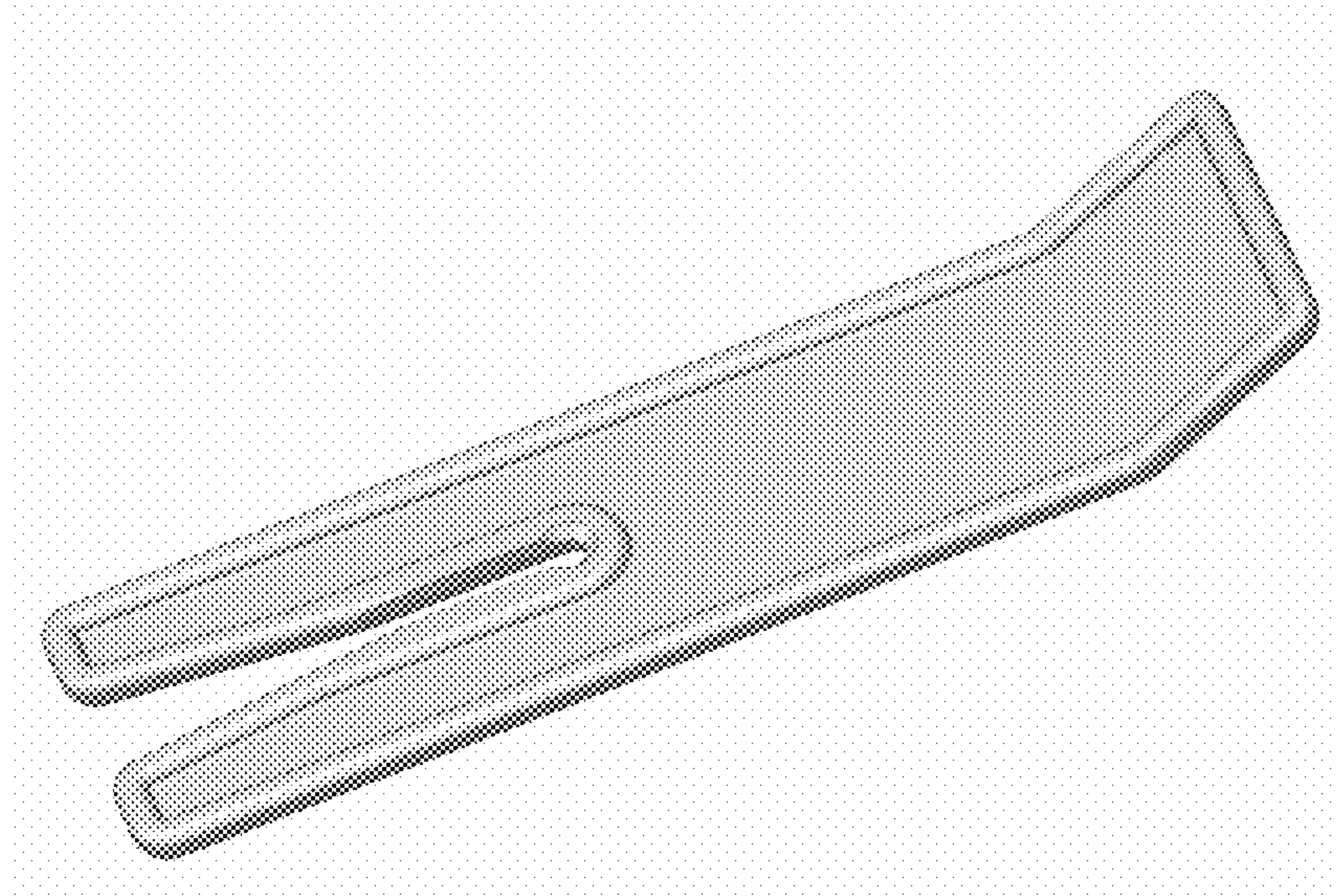
1.4 : Back

1.5 : Top

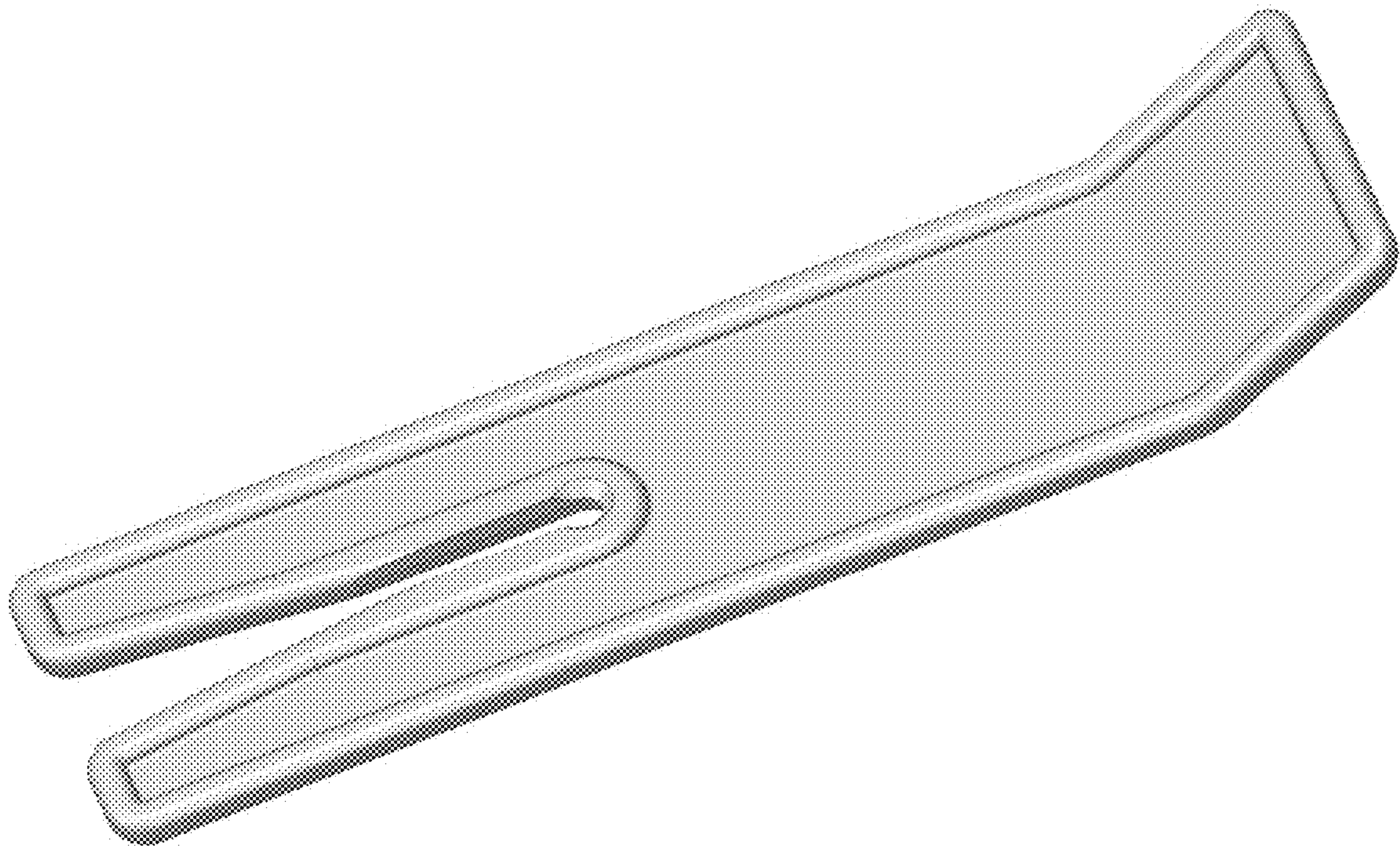
1.6 : Perspective

The invention is a tool for mounting panels or drywall plasterboards on a ceiling or wall by one person.

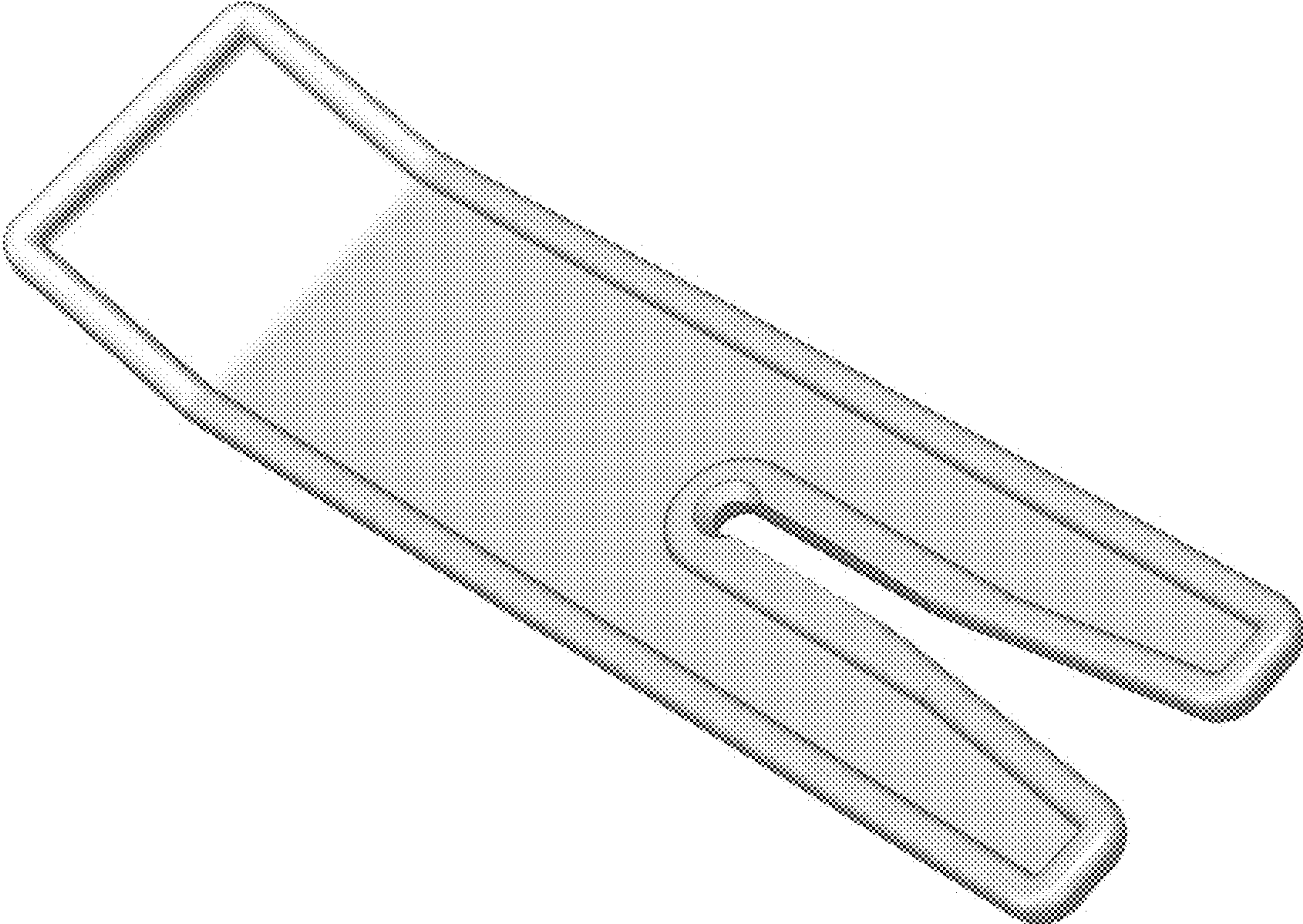
1 Claim, 6 Drawing Sheets



1.1



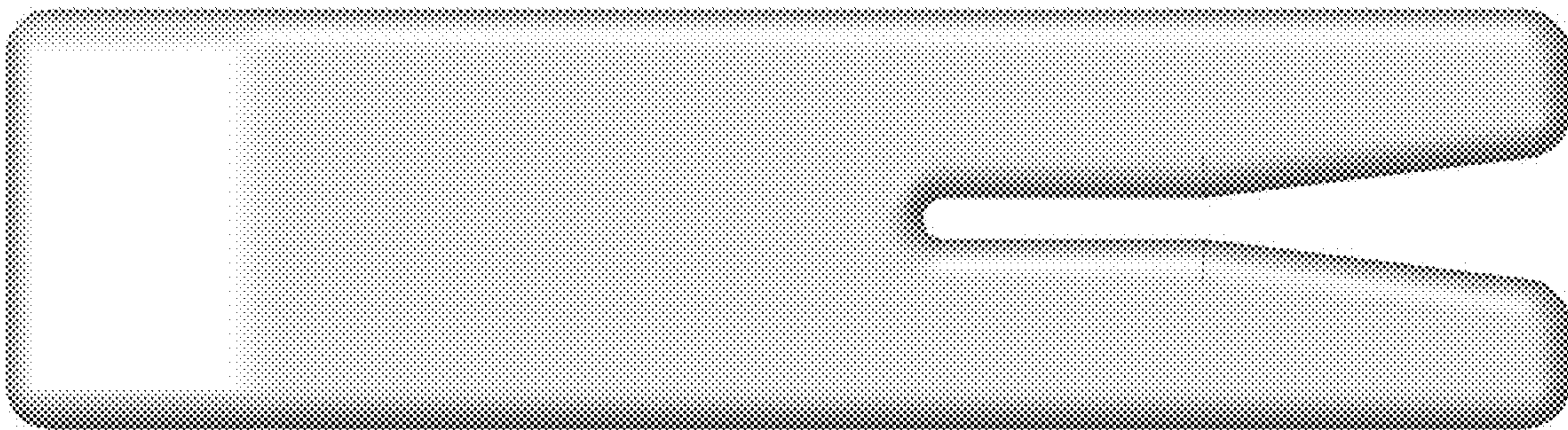
1.2



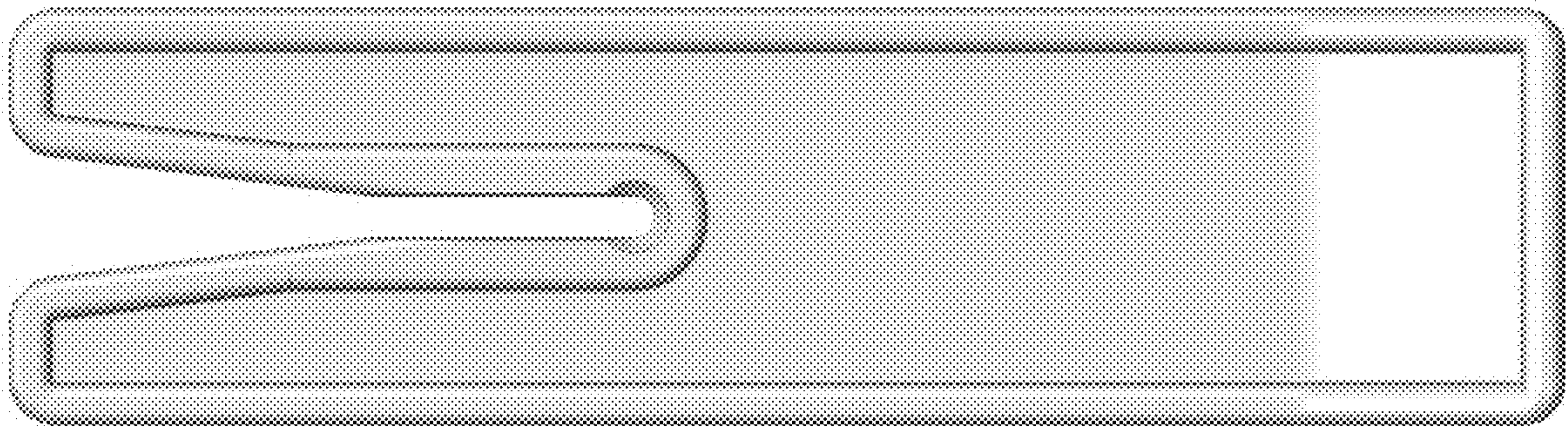
1.3



1.4



1.5



1.6

