



US00D800519S

(12) **United States Design Patent**
Muriithi

(10) **Patent No.:** **US D800,519 S**

(45) **Date of Patent:** **** Oct. 24, 2017**

(54) **PLANT WATERER**

(71) Applicant: **Joseph Muriithi**, Florissant, MO (US)

(72) Inventor: **Joseph Muriithi**, Florissant, MO (US)

(**) Term: **15 Years**

(21) Appl. No.: **29/543,350**

(22) Filed: **Oct. 23, 2015**

(51) **LOC (10) Cl.** **08-01**

(52) **U.S. Cl.**
USPC **D8/1**

(58) **Field of Classification Search**
USPC D8/1; D11/121; D30/124
CPC A01G 29/00; A01G 27/006; A47G
2033/1286; A47G 33/0881

See application file for complete search history.

D448,632	S	*	10/2001	D'eath	D8/1
D450,549	S	*	11/2001	Burt	D8/1
D459,167	S	*	6/2002	Meyer, II	D8/1
D465,388	S	*	11/2002	Rhea	D8/1
D483,234	S	*	12/2003	Hansen	A47G 33/0881 D8/1
6,760,998	B1	*	7/2004	Montijo	A01G 27/005 47/40.5
D543,482	S	*	5/2007	Sexton	D11/121
D592,095	S	*	5/2009	Wessling	D11/117
D603,291	S	*	11/2009	Wessling	D11/117
D612,109	S	*	3/2010	Kennedy	D30/127
D619,493	S	*	7/2010	Chen	D11/121
7,845,110	B2		12/2010	Amsellem		
D698,099	S	*	1/2014	Muhr	D30/124
D713,221	S	*	9/2014	Meyer	D8/1
D776,994	S	*	1/2017	Herrmann	D8/1
2010/0122491	A1		5/2010	Shelton		
2013/0212939	A1		8/2013	Li		
2014/0338605	A1	*	11/2014	Coughlin	A01K 39/0206 119/72

* cited by examiner

Primary Examiner — Sheryl Lane

(56) **References Cited**

U.S. PATENT DOCUMENTS

461,586	A	*	10/1891	Matzenauer	A01K 97/125 116/67 R
D239,962	S	*	5/1976	Von Till	D23/214
4,038,780	A	*	8/1977	Bruno	A01G 31/02 24/129 D
4,060,934	A		12/1977	Skaggs		
4,848,029	A		7/1989	Han		
5,054,236	A	*	10/1991	Sands	A47G 33/0881 428/11
D333,763	S		3/1993	Collins		
5,421,122	A	*	6/1995	Hyndman	A01G 27/00 248/318
D379,908	S	*	6/1997	Thaler	D8/1
D407,280	S	*	3/1999	Izegbu	D8/1
D417,596	S	*	12/1999	Crowder	D8/1
D427,028	S	*	6/2000	Zinger	D8/1
6,167,651	B1	*	1/2001	Luddy	A01G 27/005 47/40.5

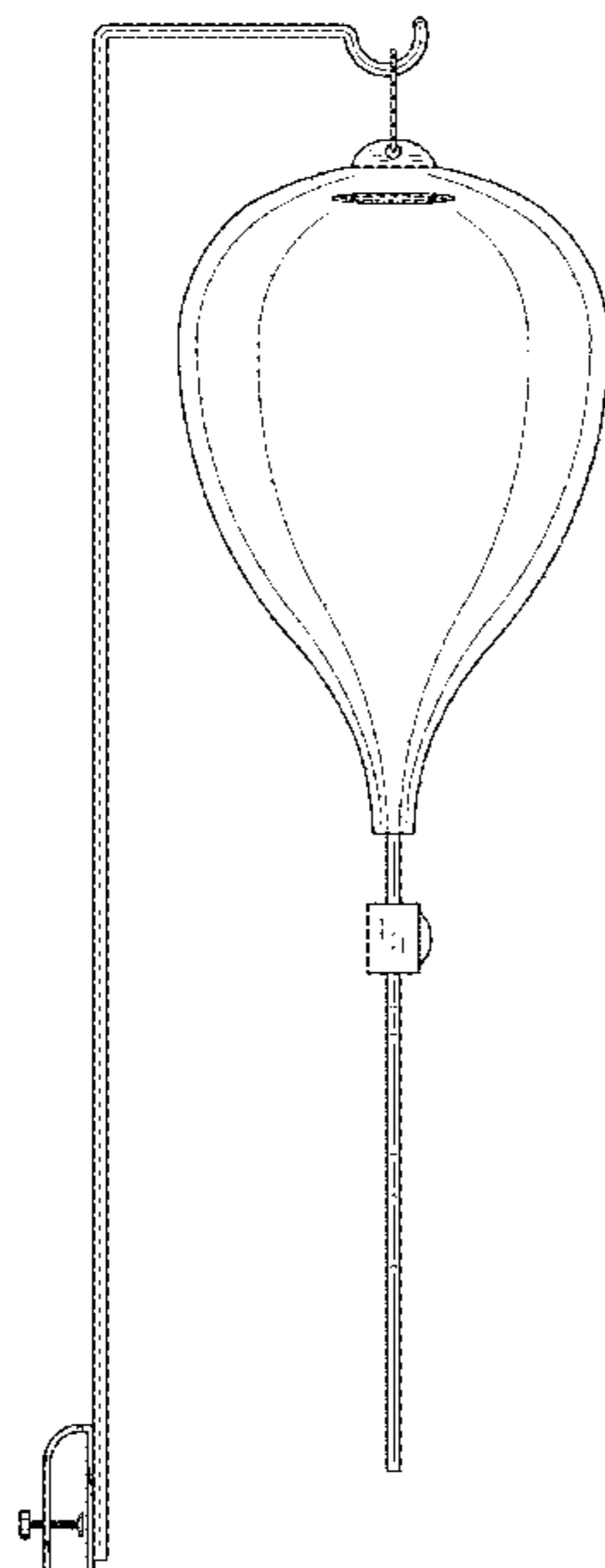
(57) **CLAIM**

The ornamental design for a plant waterer, as shown and described.

DESCRIPTION

FIG. 1 is a front view of a plant waterer showing my new design;
FIG. 2 is a rear view of the plant waterer;
FIG. 3 is a left side view of the plant waterer;
FIG. 4 is a right side view of the plant waterer;
FIG. 5 is a top view of the plant waterer; and,
FIG. 6 is a bottom view of the plant waterer.
The broken lines represent portions of the article and form no part of the claimed design.

1 Claim, 4 Drawing Sheets



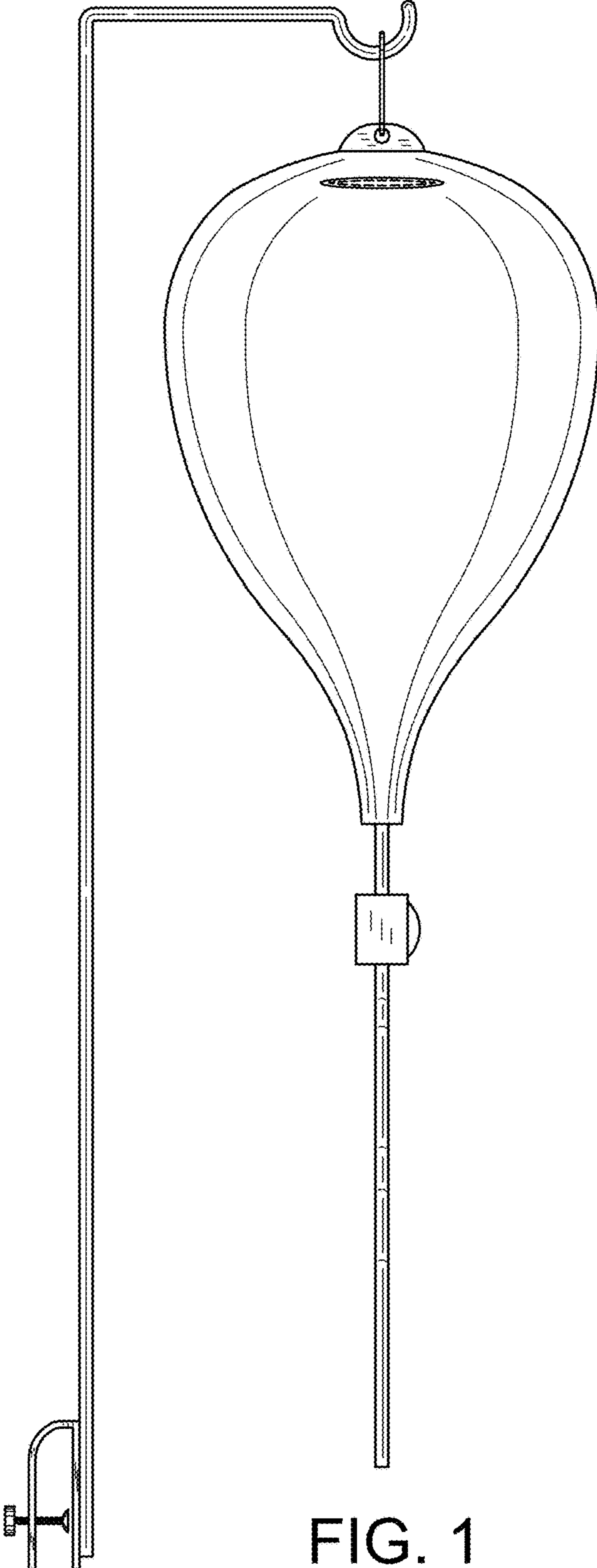


FIG. 1

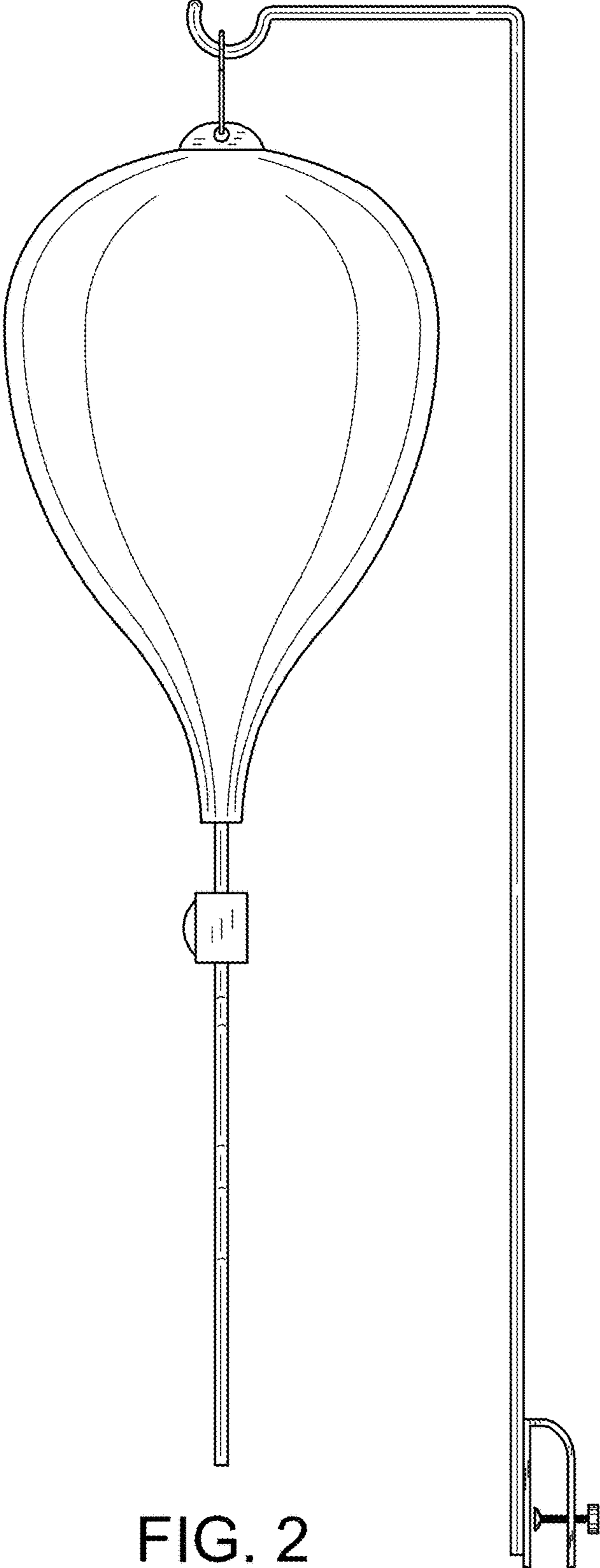
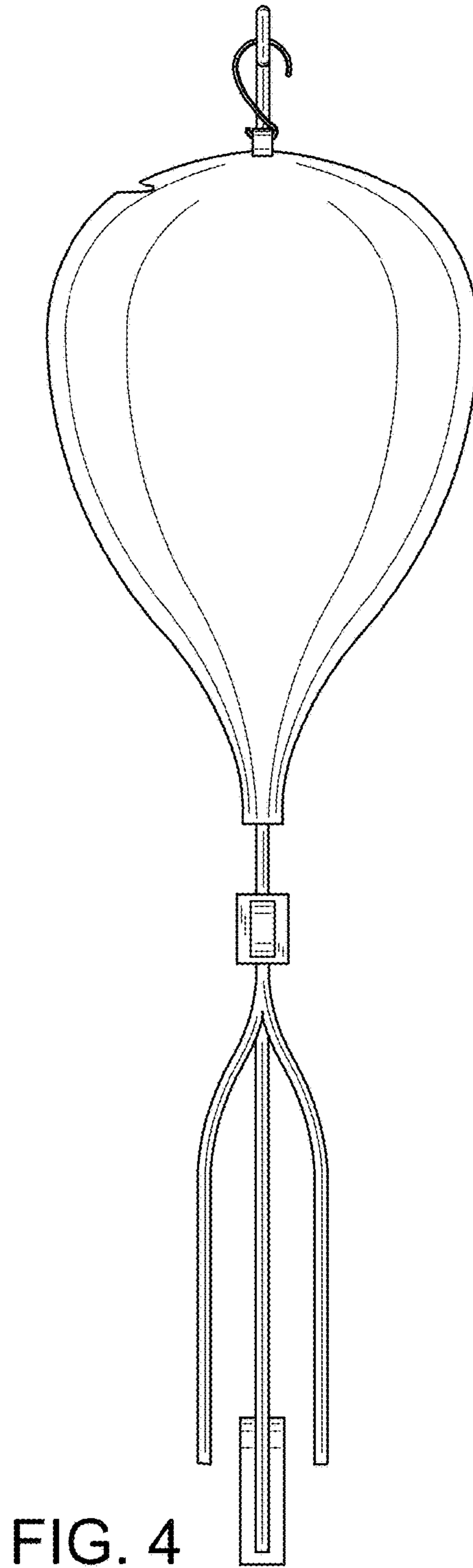
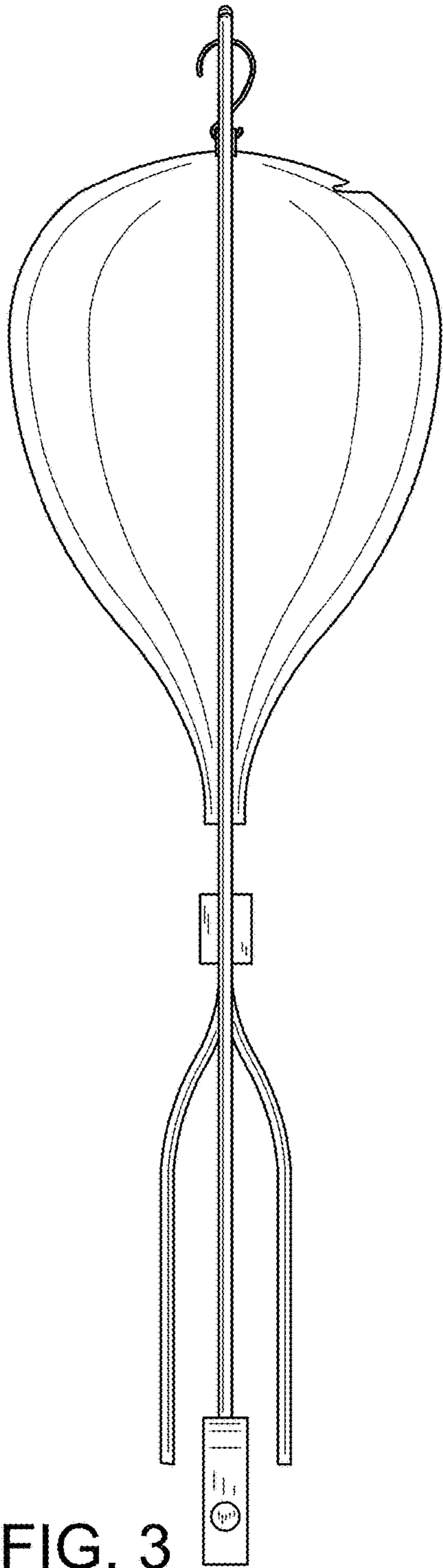


FIG. 2



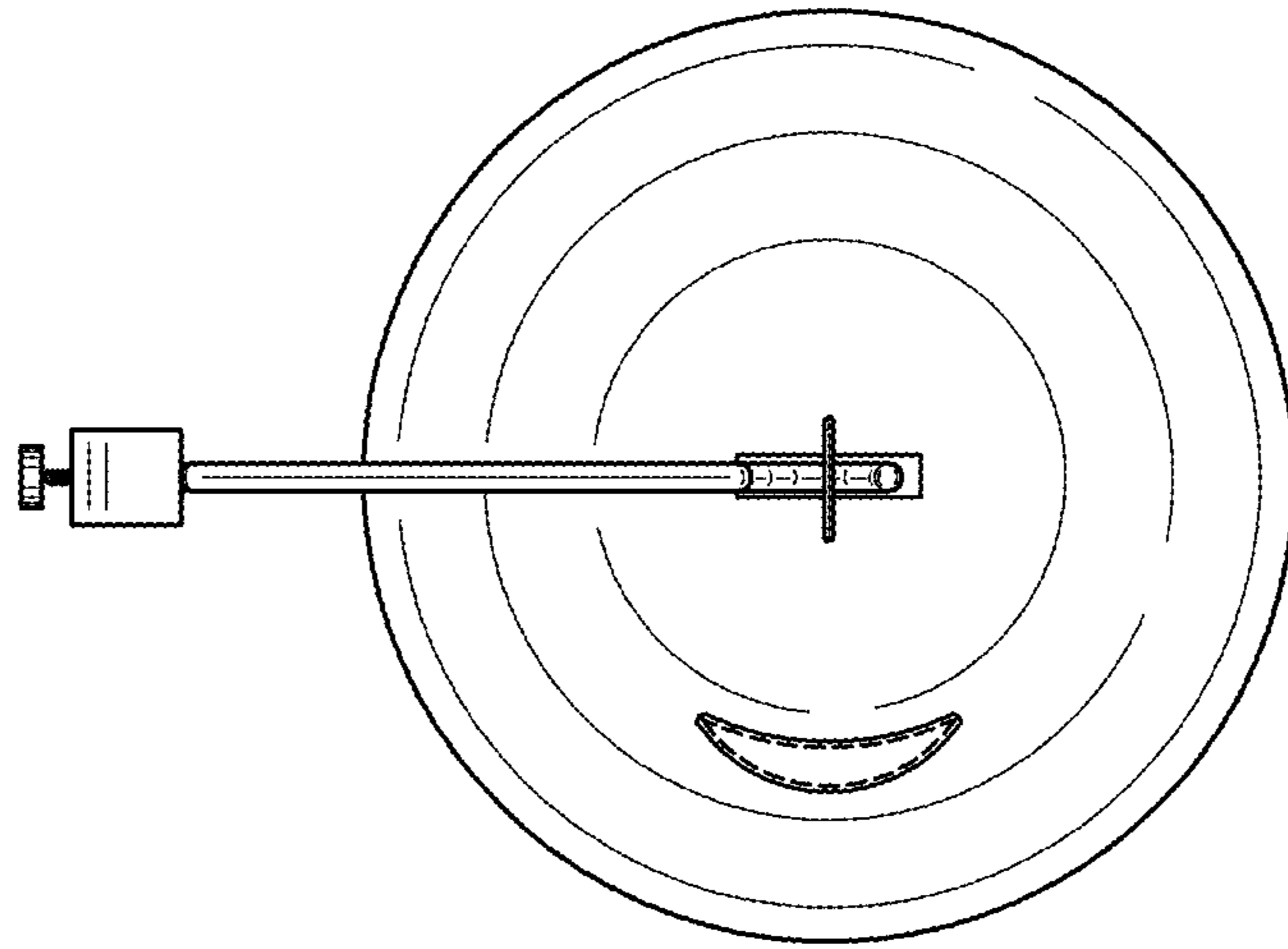


FIG. 5

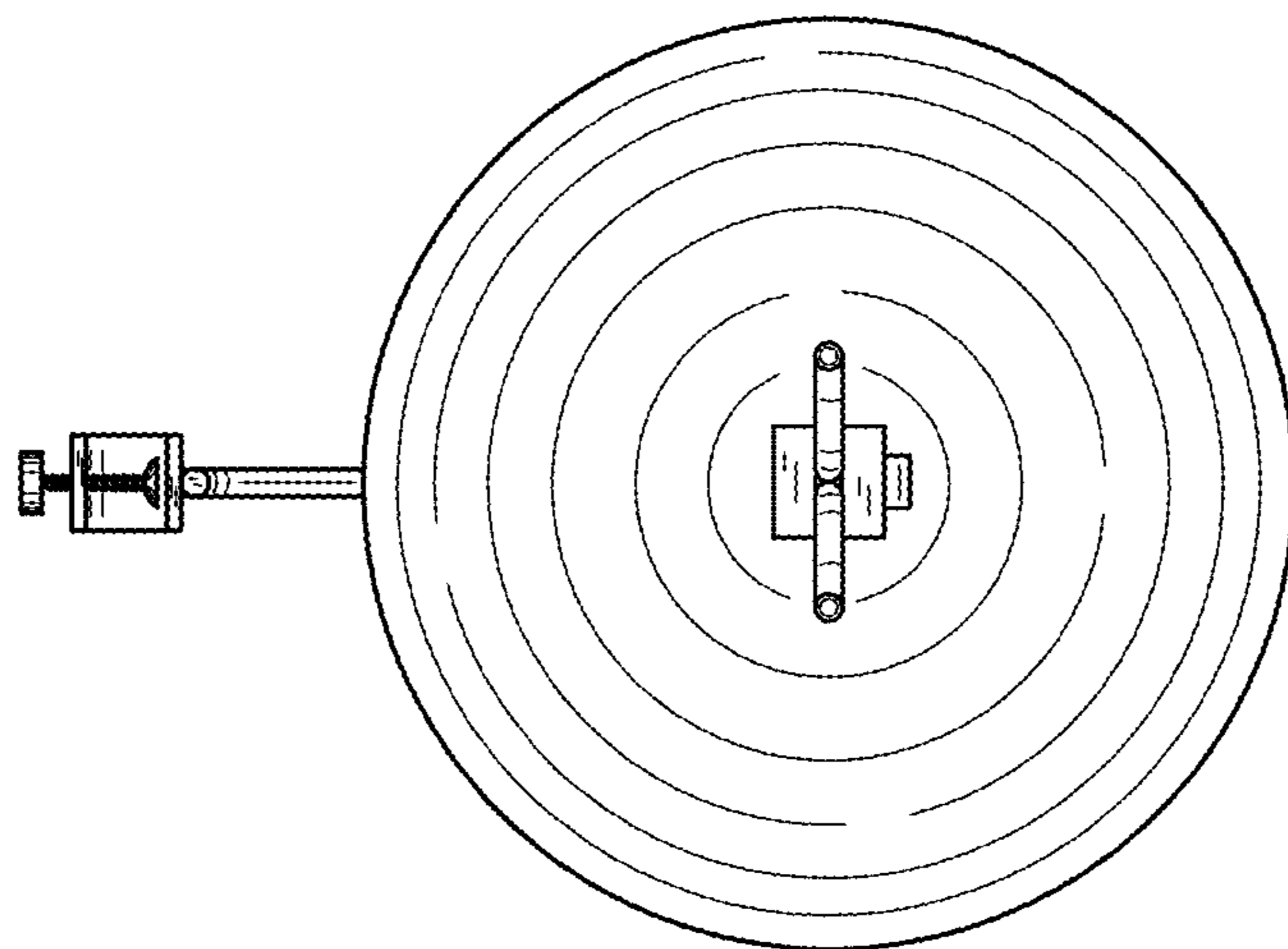


FIG. 6