

US00D800517S

(12) **United States Design Patent**
Arobas

(10) **Patent No.:** **US D800,517 S**
(45) **Date of Patent:** **** Oct. 24, 2017**

- (54) **SLICER**
- (71) Applicant: **MindBlowers Limited**, Douglas, Isle of Man (GB)
- (72) Inventor: **Rivka Arobas**, Tel Aviv (IL)
- (73) Assignee: **MindBlowers Limited**, Douglas, Isle of Man (GB)
- (**) Term: **15 Years**
- (21) Appl. No.: **29/538,310**
- (22) Filed: **Sep. 2, 2015**
- (51) **LOC (10) Cl.** **07-02**
- (52) **U.S. Cl.**
USPC **D7/673**
- (58) **Field of Classification Search**
USPC D7/672-676, 693, 359, 412, 677-679,
D7/372-375, 376-386, 694-698; 83/932;
99/353
CPC B26D 3/24-3/283; B26D
2003/285-2003/288; B26D 2210/02;
B26D 7/00; B26D 7/01; B26D 3/11;
A47J 43/25; A47J 43/255; A47J 17/16;
A47J 17/02; A23N 7/026
See application file for complete search history.

(56) **References Cited**

U.S. PATENT DOCUMENTS

- D379,907 S * 6/1997 Israeli D7/673
- D499,313 S * 12/2004 Lawson D7/678

- D507,455 S * 7/2005 Bertulis D7/372
- D508,383 S * 8/2005 Endres D7/673
- D582,220 S * 12/2008 Farnum D7/672
- D599,176 S * 9/2009 Seehoff D7/672
- D605,001 S * 12/2009 Eide D7/678
- D605,907 S * 12/2009 Gorskey D7/678
- D611,779 S * 3/2010 Campbell D7/673
- D679,153 S * 4/2013 Sudmalis D7/673
- 8,888,790 B2 * 11/2014 Grace A61B 17/54
606/131
- D725,960 S * 4/2015 Fu D7/372
- 2014/0209720 A1 * 7/2014 Juarez A47J 43/25
241/29

* cited by examiner

Primary Examiner — Susan Bennett Hattan
Assistant Examiner — Brett Miller
(74) *Attorney, Agent, or Firm* — Gearhart Law LLC

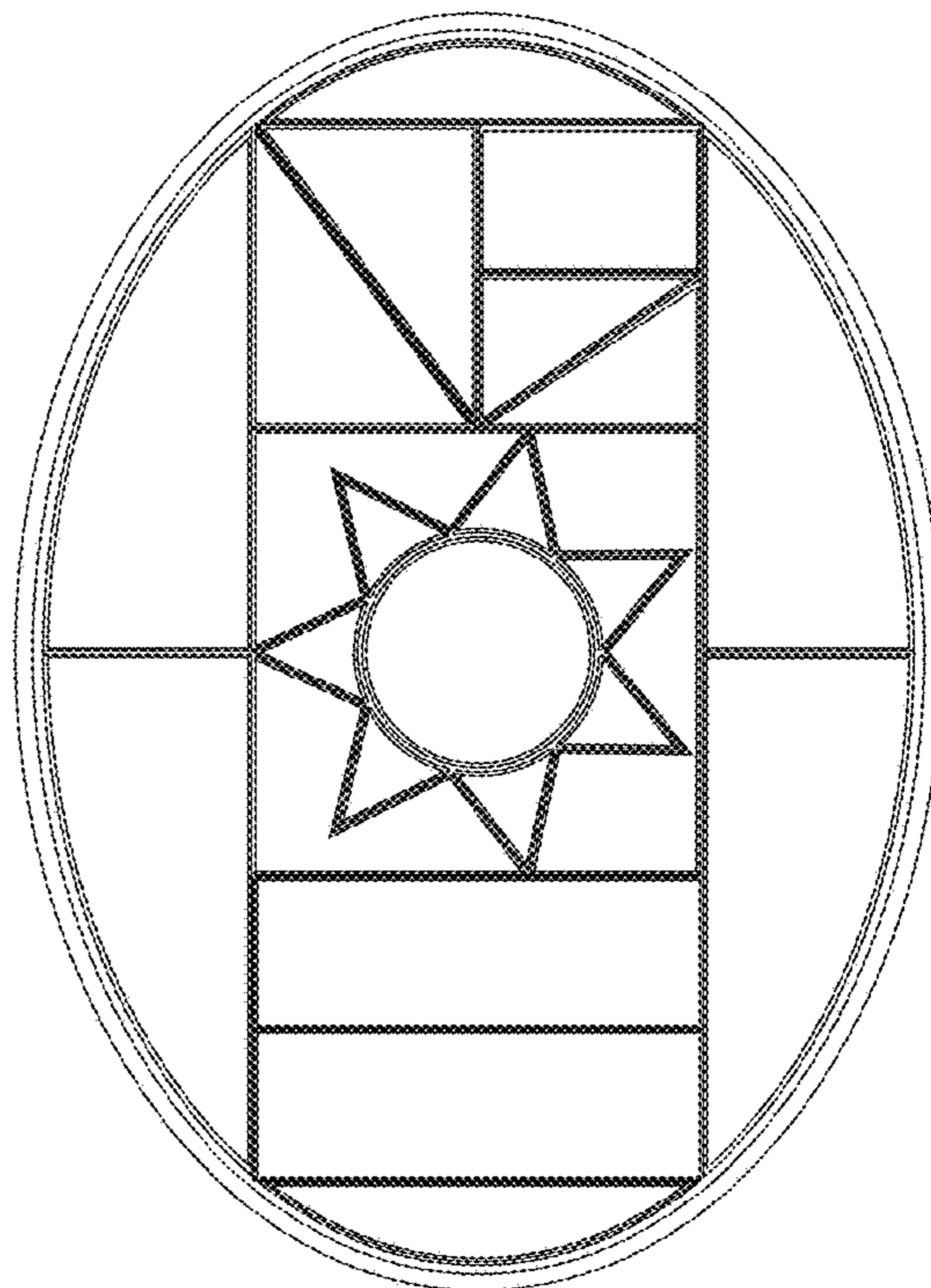
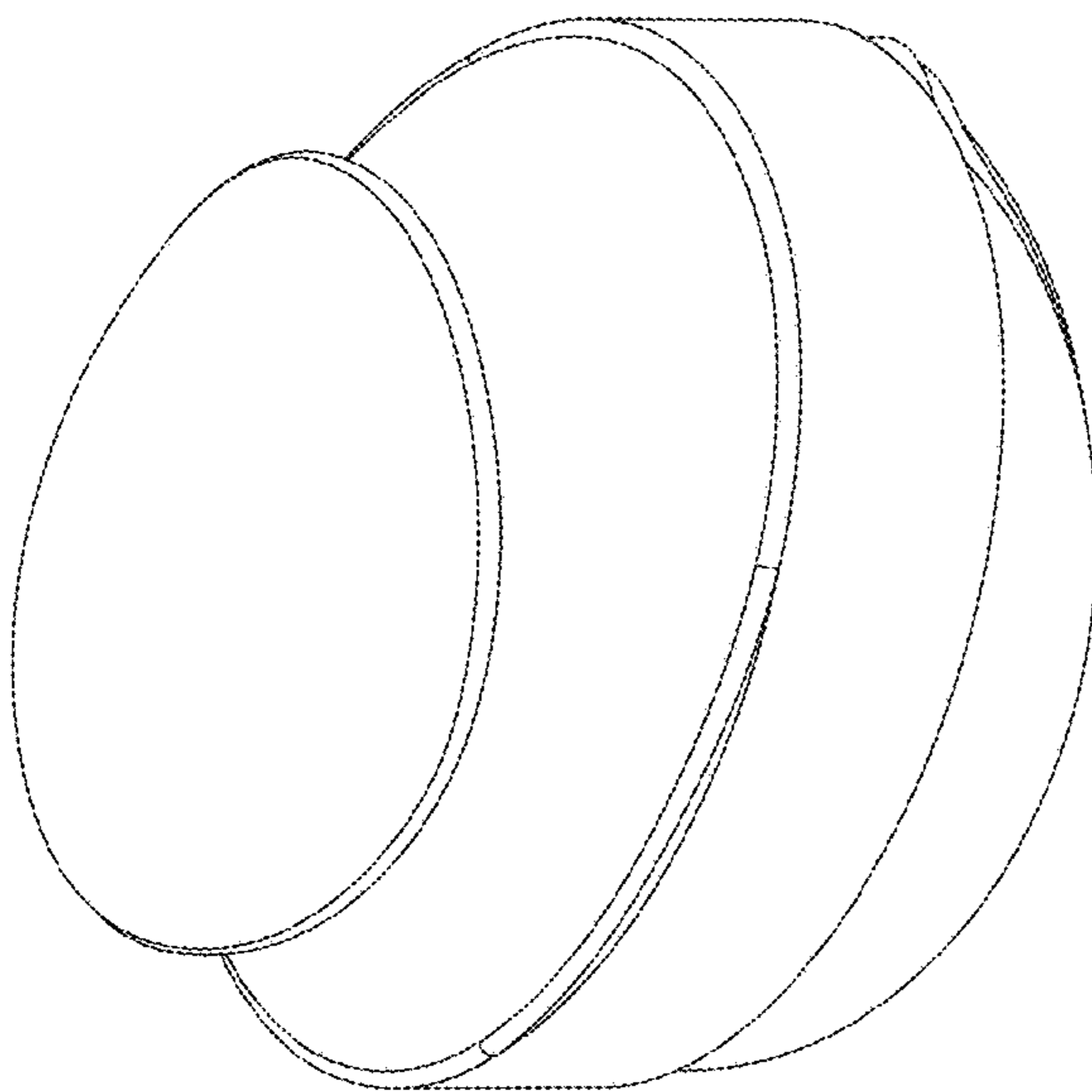
(57) **CLAIM**

The ornamental design for a slicer, as shown.

DESCRIPTION

FIG. 1 is a perspective view of the slicer.
FIG. 2 is a front view of the slicer as shown in FIG. 1.
FIG. 3 is a rear view of the slicer as shown in FIG. 1.
FIG. 4 is a right side view of the slicer as shown in FIG. 1.
FIG. 5 is a left side view of the slicer as shown in FIG. 1.
FIG. 6 is a bottom view of the slicer as shown in FIG. 1; and,
FIG. 7 is a top view of the slicer as shown in FIG. 1.

1 Claim, 7 Drawing Sheets



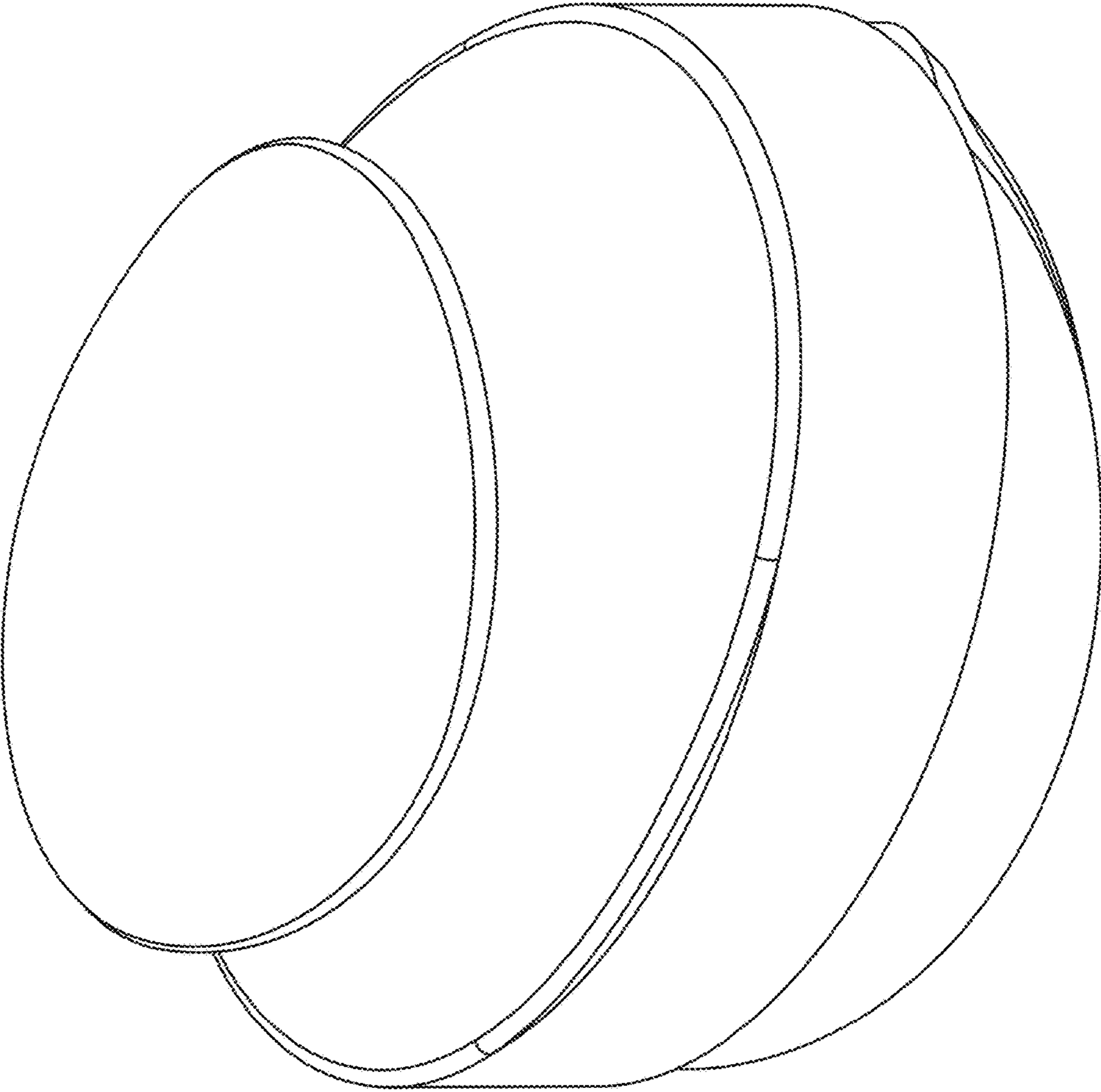


FIG. 1

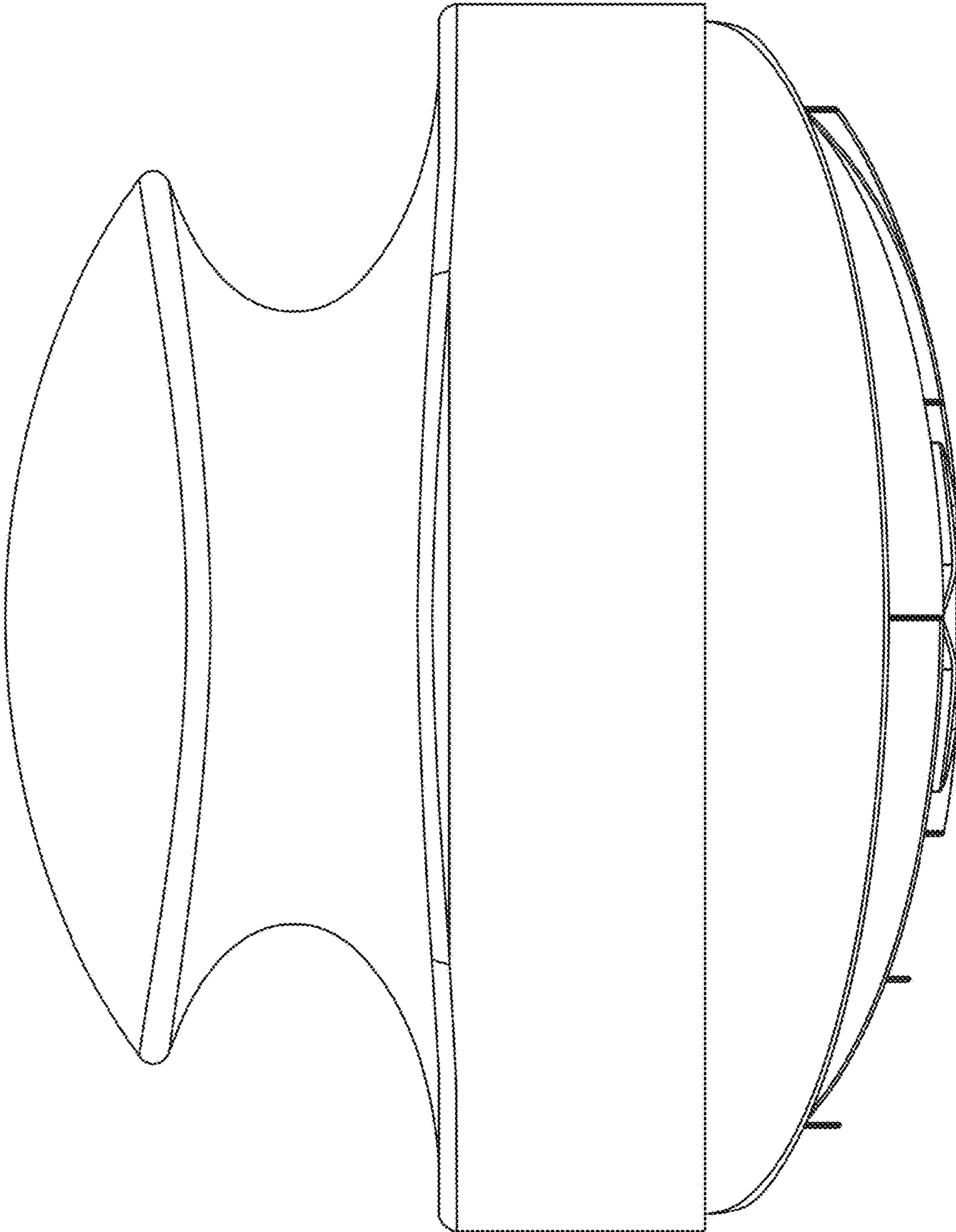


FIG. 2

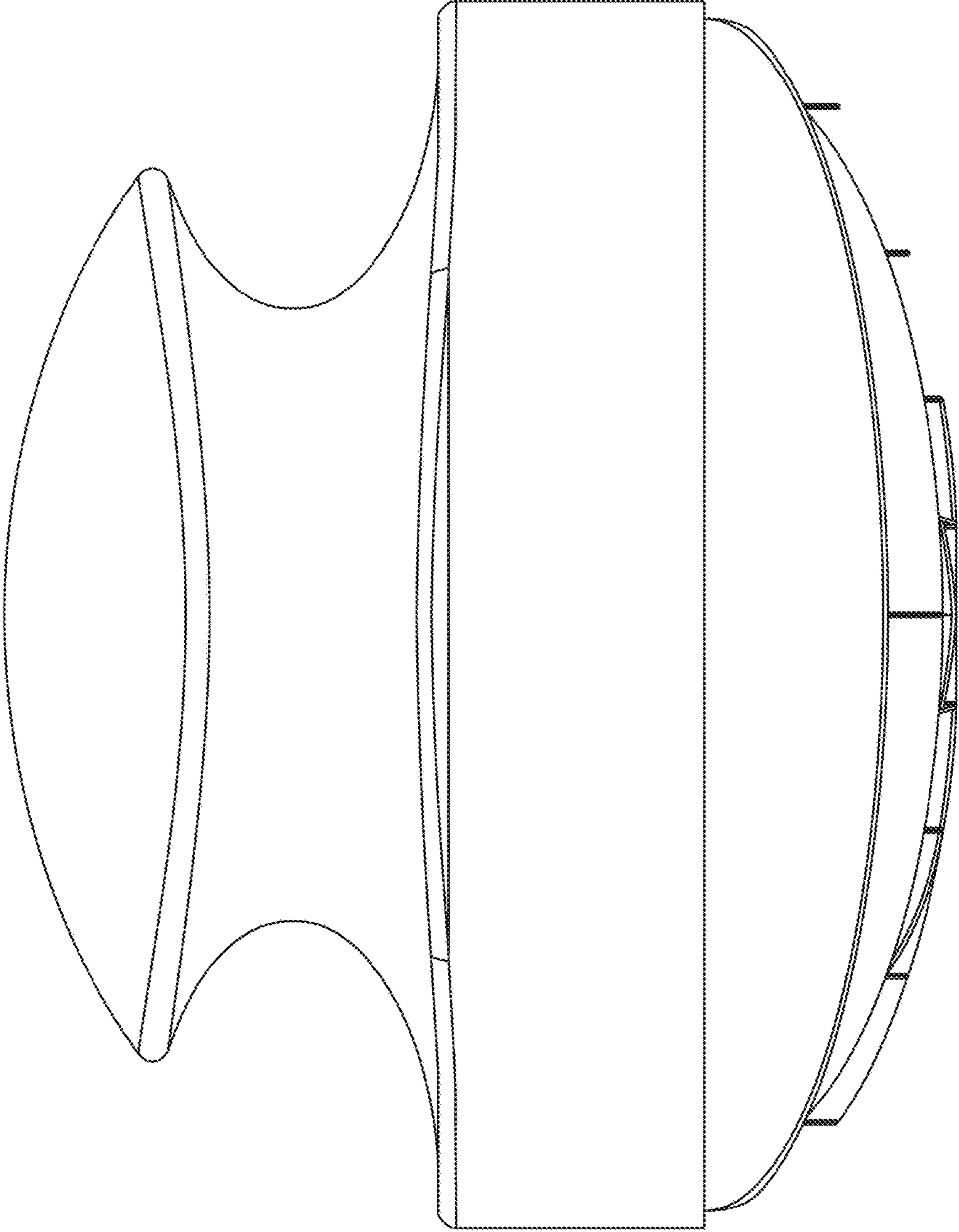


FIG. 3

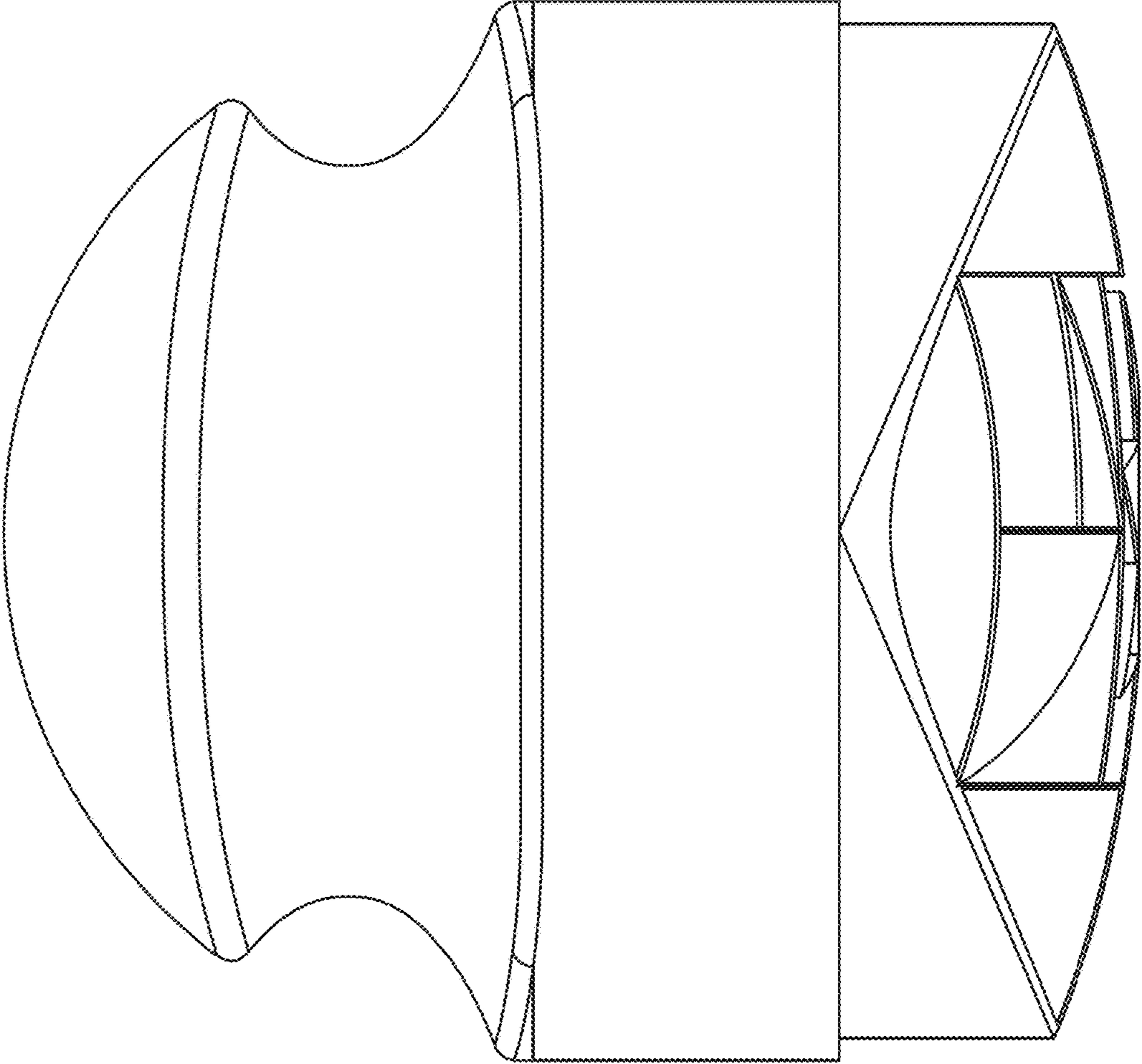


FIG. 4

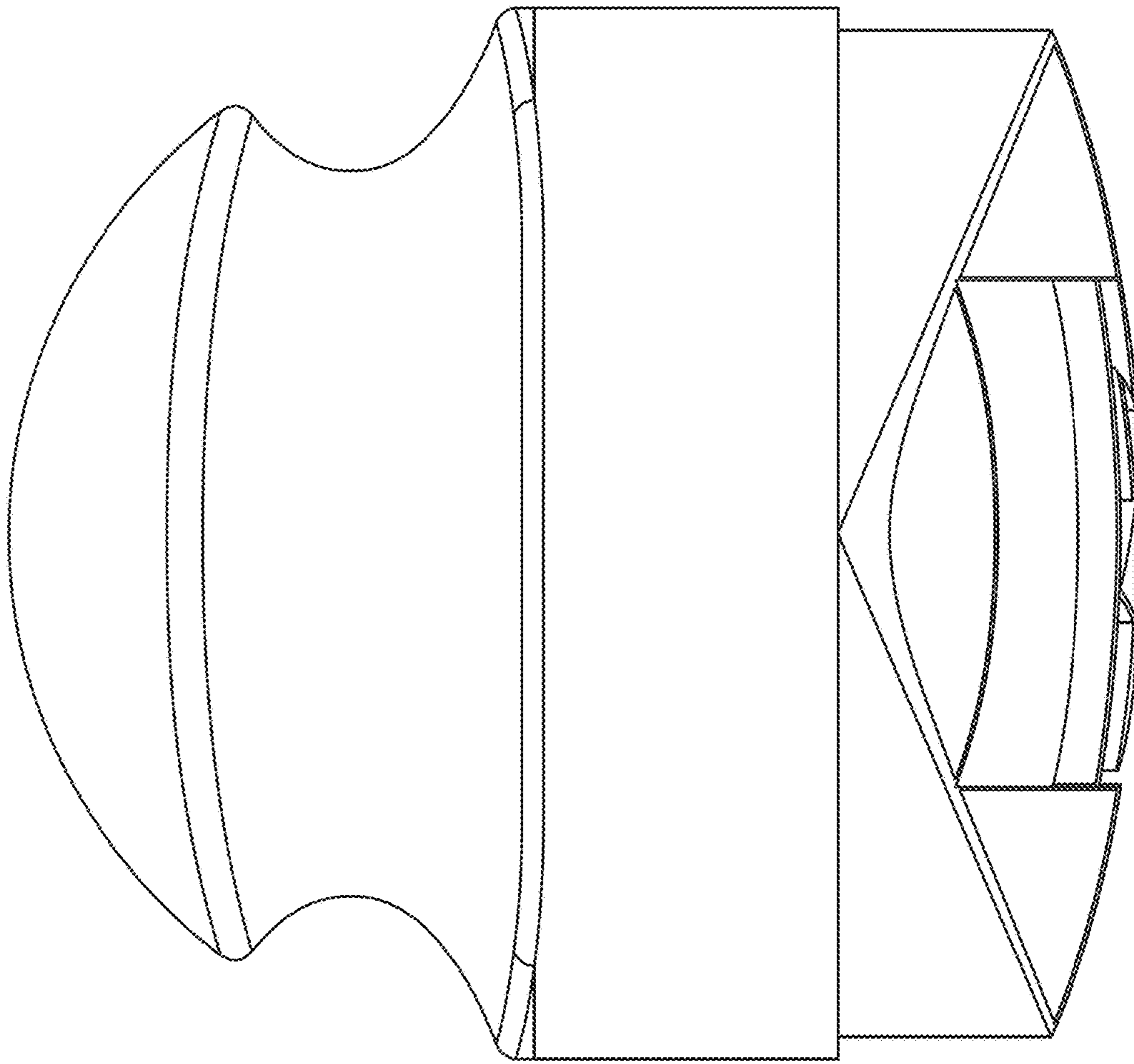


FIG. 5

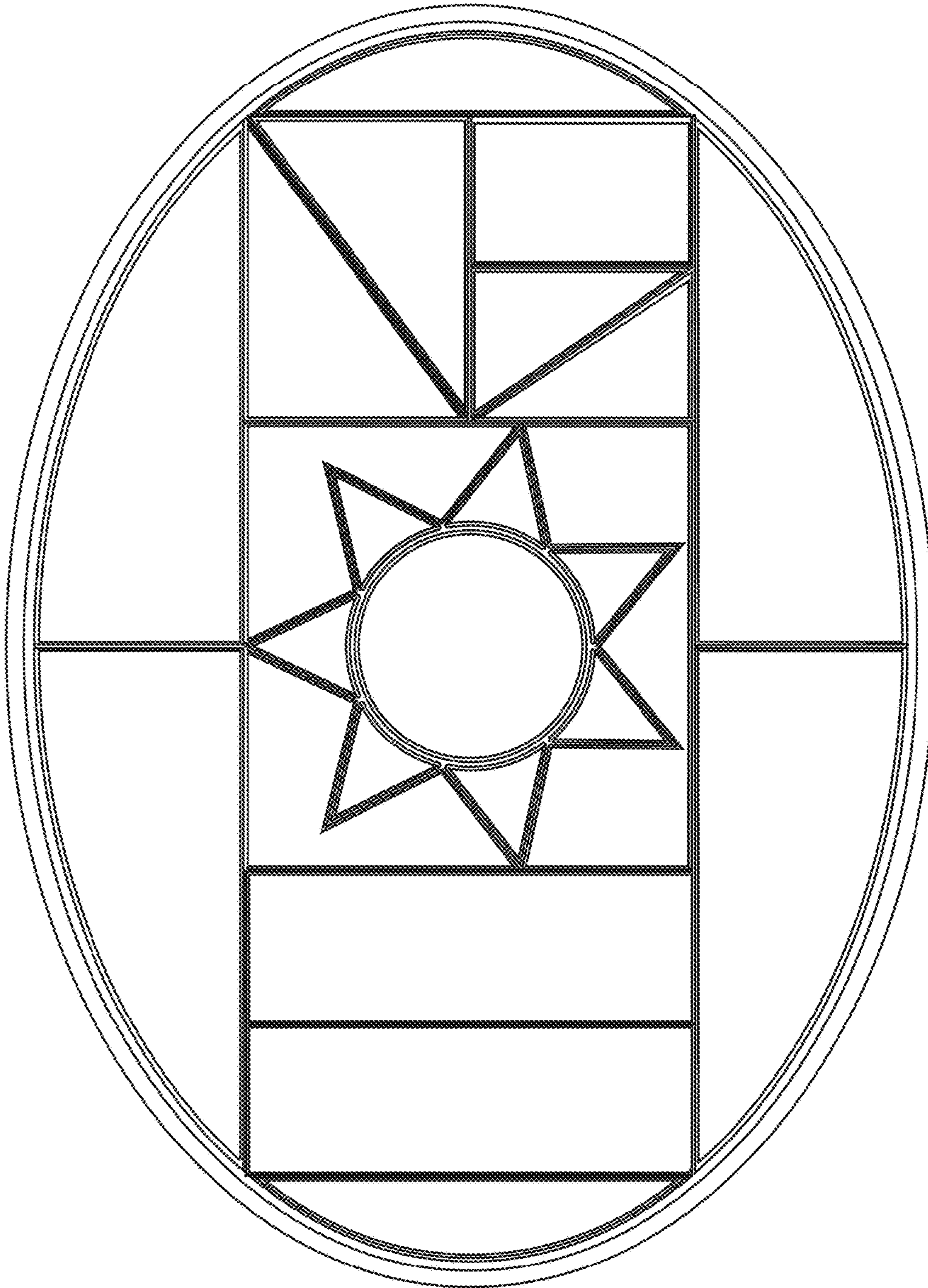


FIG. 6

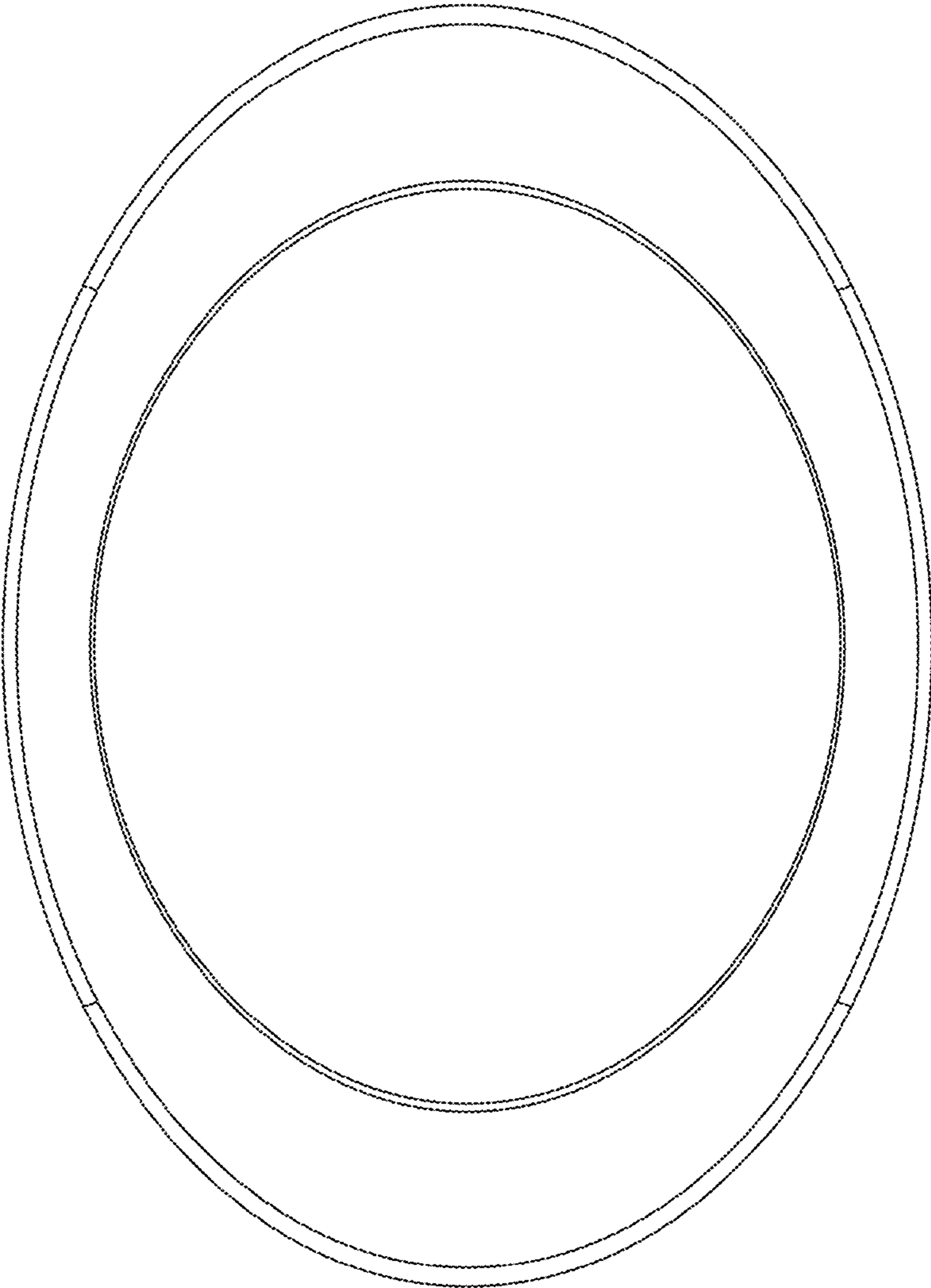


FIG. 7