

US00D800514S

(12) **United States Design Patent**
Feldner

(10) **Patent No.:** **US D800,514 S**
(45) **Date of Patent:** **** Oct. 24, 2017**

- (54) **UTENSIL HOLDER**
- (71) Applicant: **Server Products, Inc.**, Richfield, WI (US)
- (72) Inventor: **Paul Feldner**, Menomonee Falls, WI (US)
- (73) Assignee: **Server Products, Inc.**, Richfield, WI (US)
- (**) Term: **15 Years**
- (21) Appl. No.: **29/555,429**
- (22) Filed: **Feb. 22, 2016**
- (51) **LOC (10) Cl.** **07-07**
- (52) **U.S. Cl.**
USPC **D7/637**
- (58) **Field of Classification Search**
USPC D3/306; D6/566-574; D7/631, D7/637-641; D19/75, 81-86, 90, 92; 211/41.4, 70.7, 85.31, 90.03, 106, 126.8, 211/126.9, 133.2, 133.5; 220/485-488, 220/491; 248/37.3, 37.6, 153, 175
CPC . A47B 88/00; A47B 88/20; A47F 7/00; A47F 7/14; A47G 21/00; A47G 21/16; B65D 1/34; B65D 1/36; B65D 21/046; B65D 21/048; G09F 1/14
See application file for complete search history.

D392,485 S *	3/1998	Gottwald	D23/304
D403,754 S *	1/1999	Gottwald	D23/304
D470,728 S *	2/2003	Taylor	D7/637
D542,391 S *	5/2007	Gilbert	D23/304
7,464,475 B2 *	12/2008	Tsao	B65D 77/245 215/391
D603,660 S *	11/2009	Holcomb	D7/637
D647,255 S *	10/2011	Enervold	D30/199
D648,839 S *	11/2011	Garrels	D23/304
D717,108 S *	11/2014	Mallam	D7/397
2008/0149634 A1 *	6/2008	Osborne	A47G 21/145 220/23.83
2008/0255614 A1 *	10/2008	Menoudakos	A47G 21/00 606/235

* cited by examiner

Primary Examiner — Derrick Holland
Assistant Examiner — Janice Lim
(74) *Attorney, Agent, or Firm* — Andrus Intellectual Property Law, LLP

(56) **References Cited**

U.S. PATENT DOCUMENTS

2,713,469 A *	7/1955	Wright	A47J 43/287 24/336
D220,280 S *	3/1971	Ray	D6/526
4,121,798 A *	10/1978	Schumacher	A47L 13/512 24/336
D333,594 S *	3/1993	Lin	D7/638

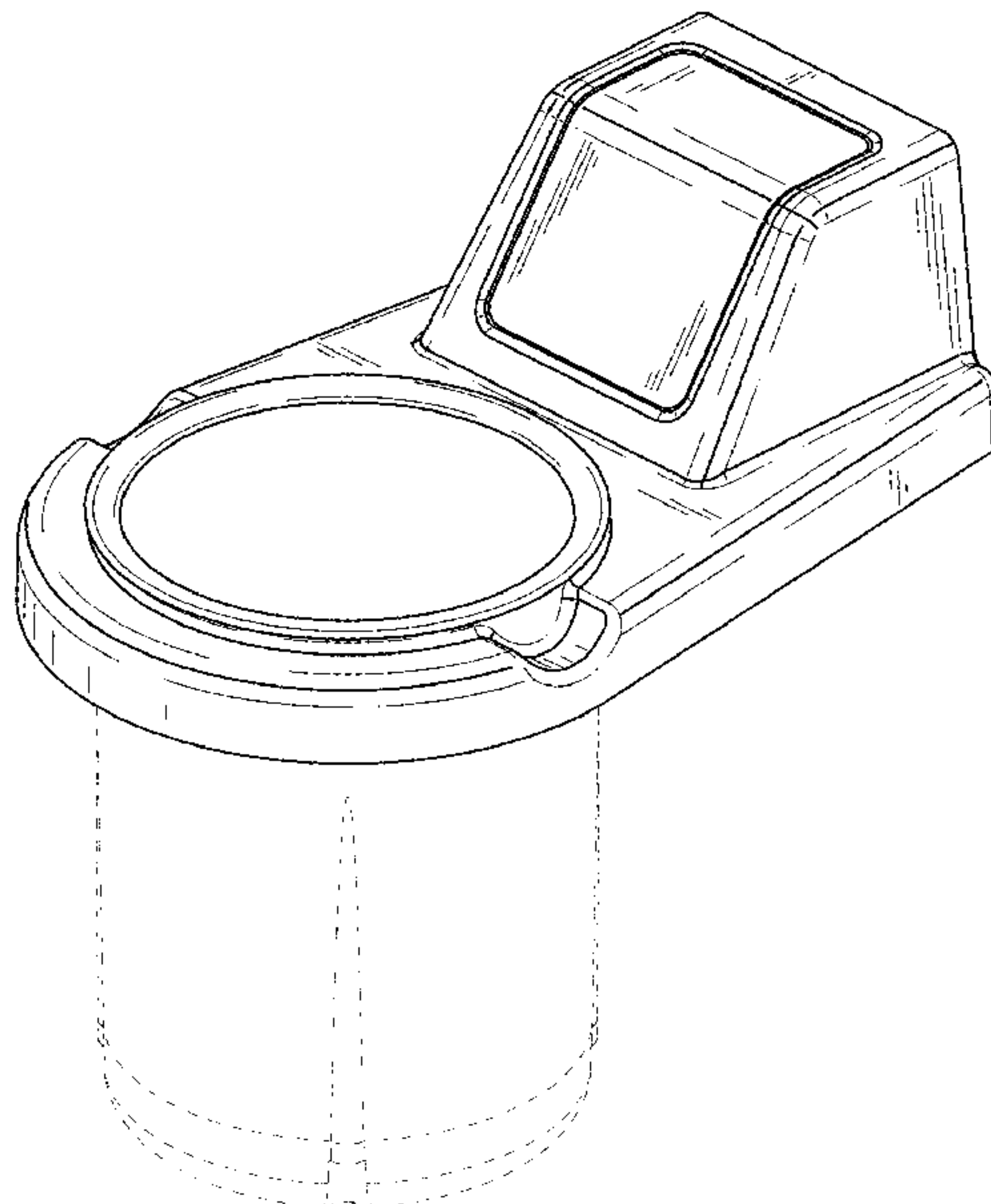
(57) **CLAIM**

The ornamental design for a utensil holder, as shown and described.

DESCRIPTION

FIG. 1 is a front isometric view of a utensil holder, showing my new design;
FIG. 2 is a front elevation view thereof;
FIG. 3 is a rear elevation view thereof;
FIG. 4 is a right side elevation view thereof;
FIG. 5 is a left side elevation view thereof;
FIG. 6 is a top plan view thereof; and,
FIG. 7 is a bottom plan view thereof.
The broken line portions show unclaimed subject matter only and form no part of the claimed design.

1 Claim, 5 Drawing Sheets



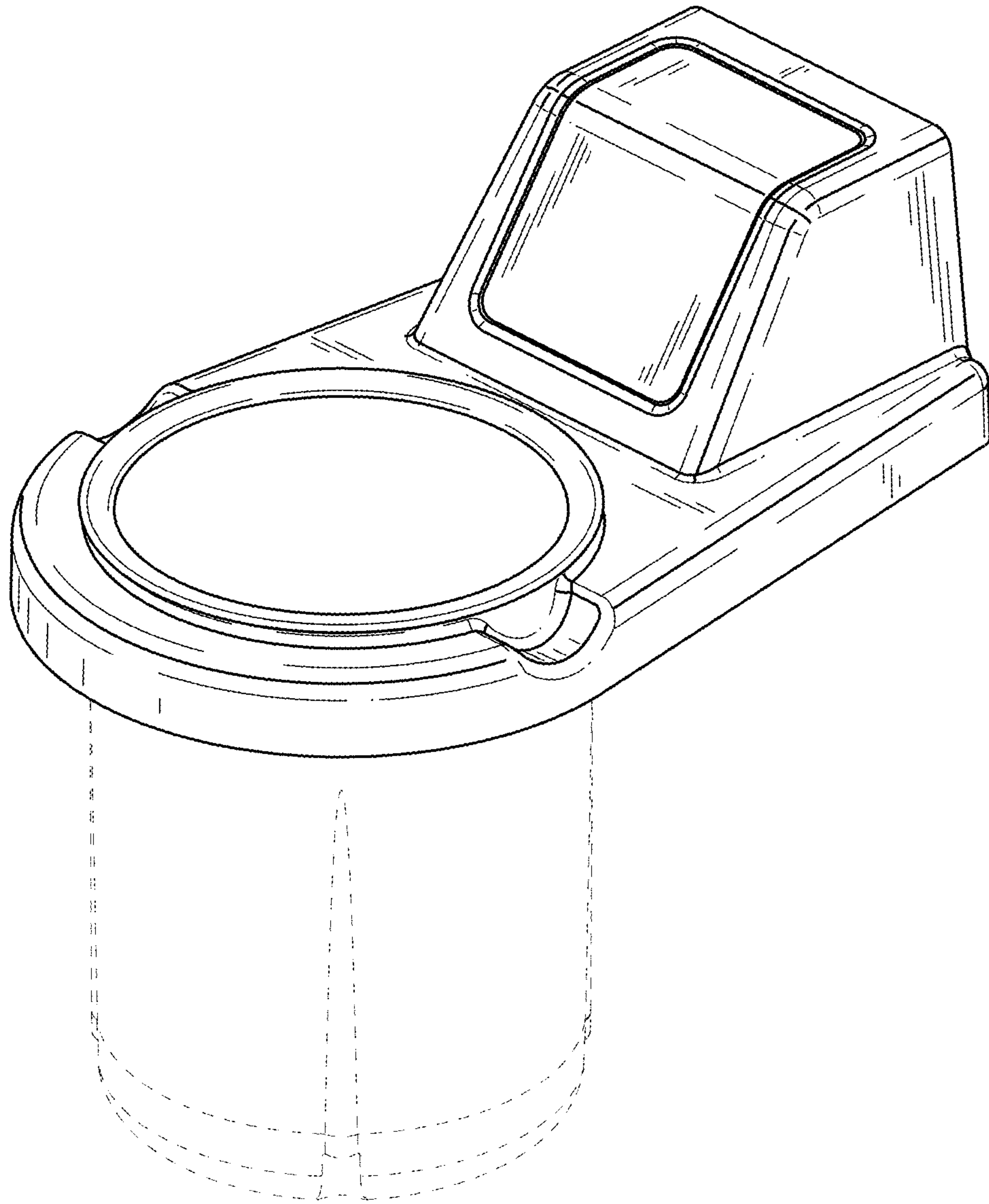


FIG. 1

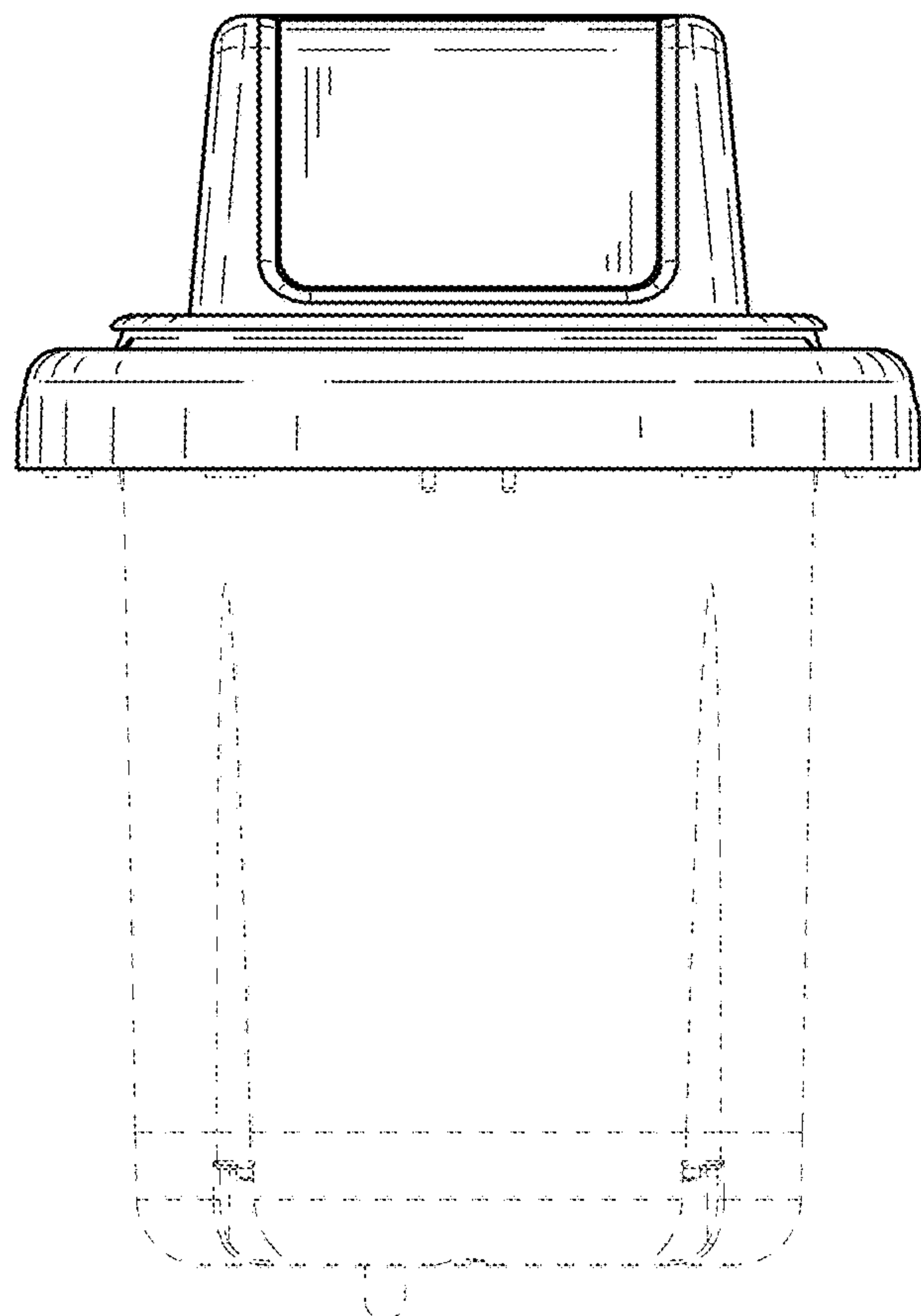


FIG. 2

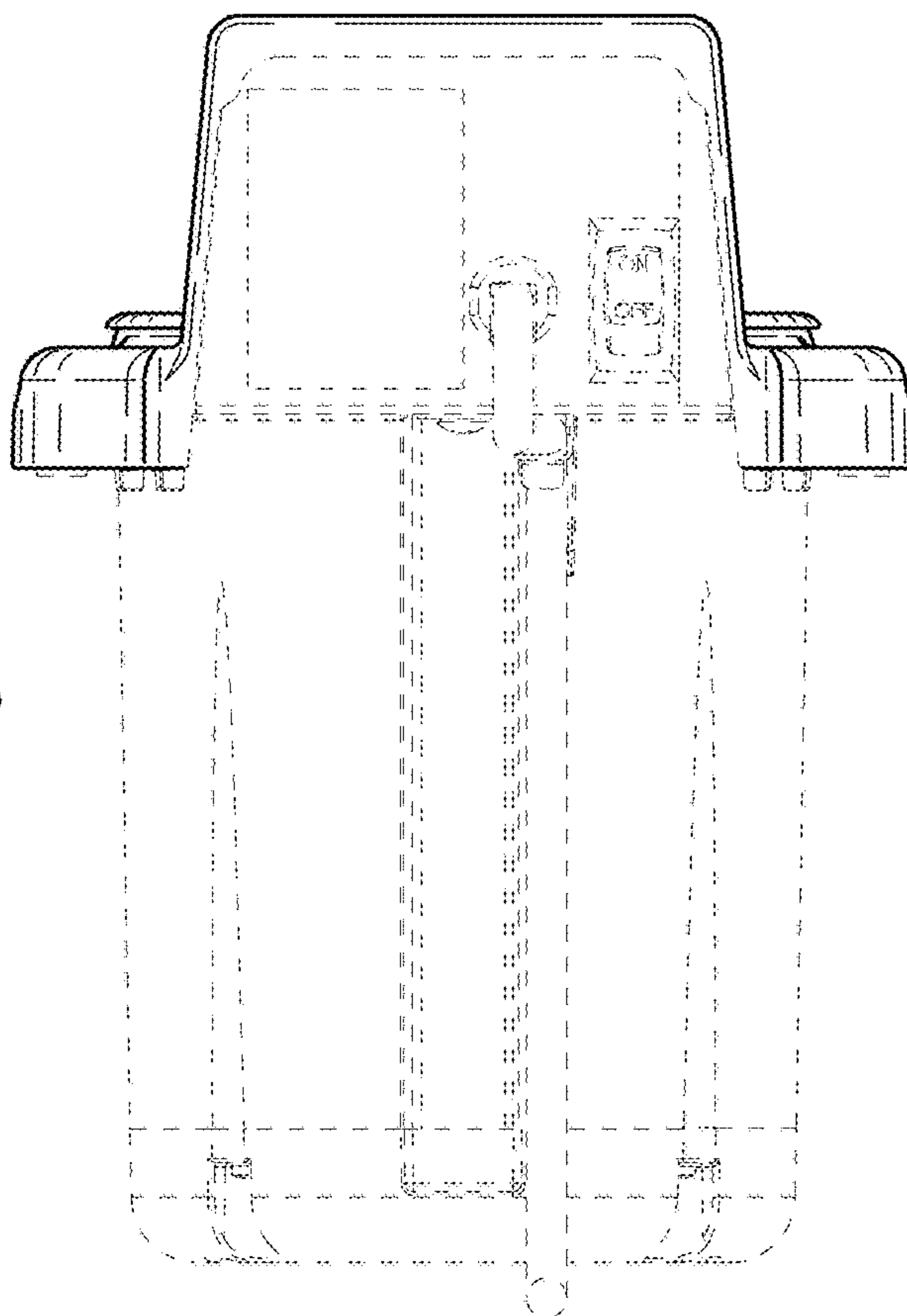


FIG. 3

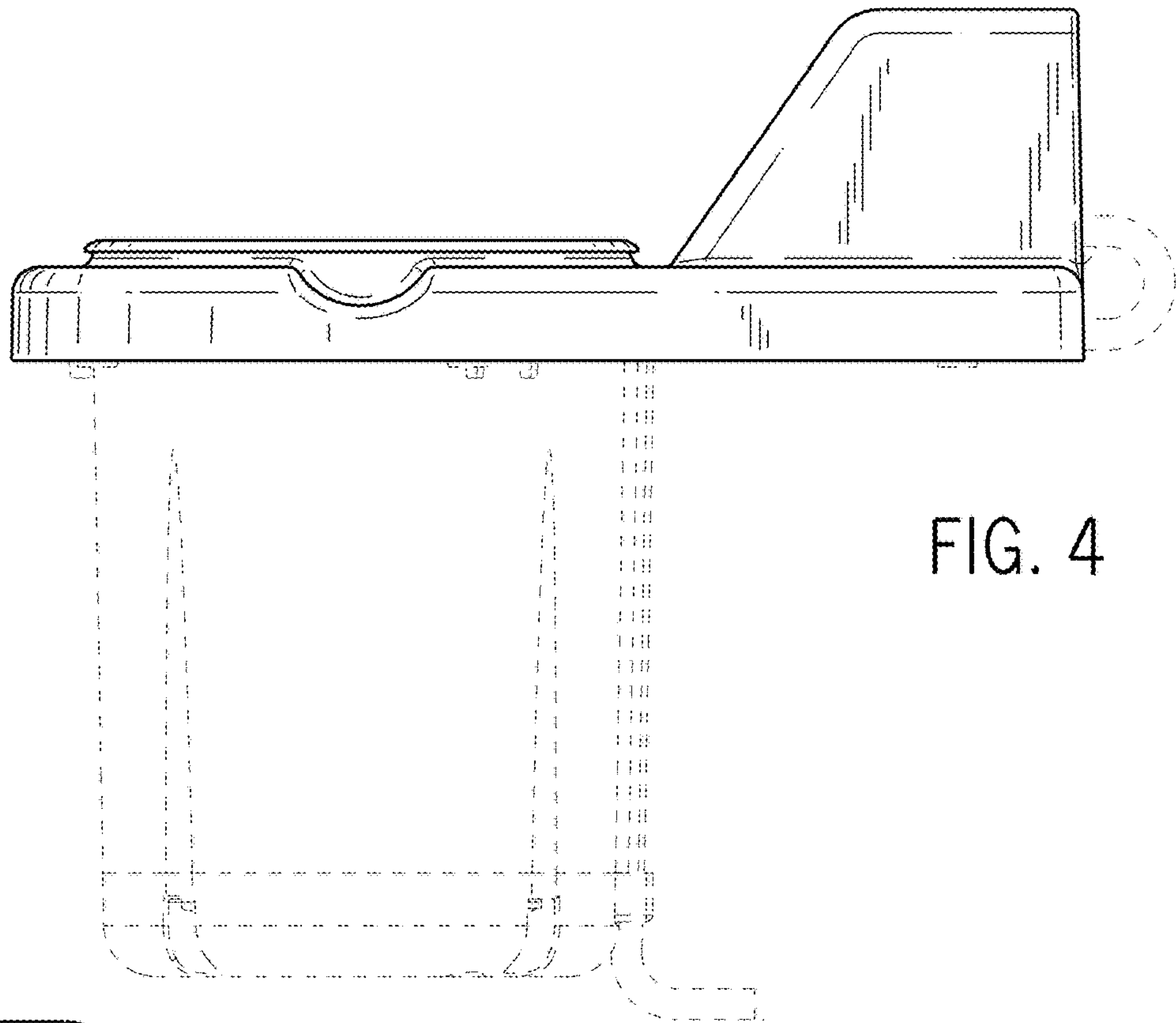


FIG. 4

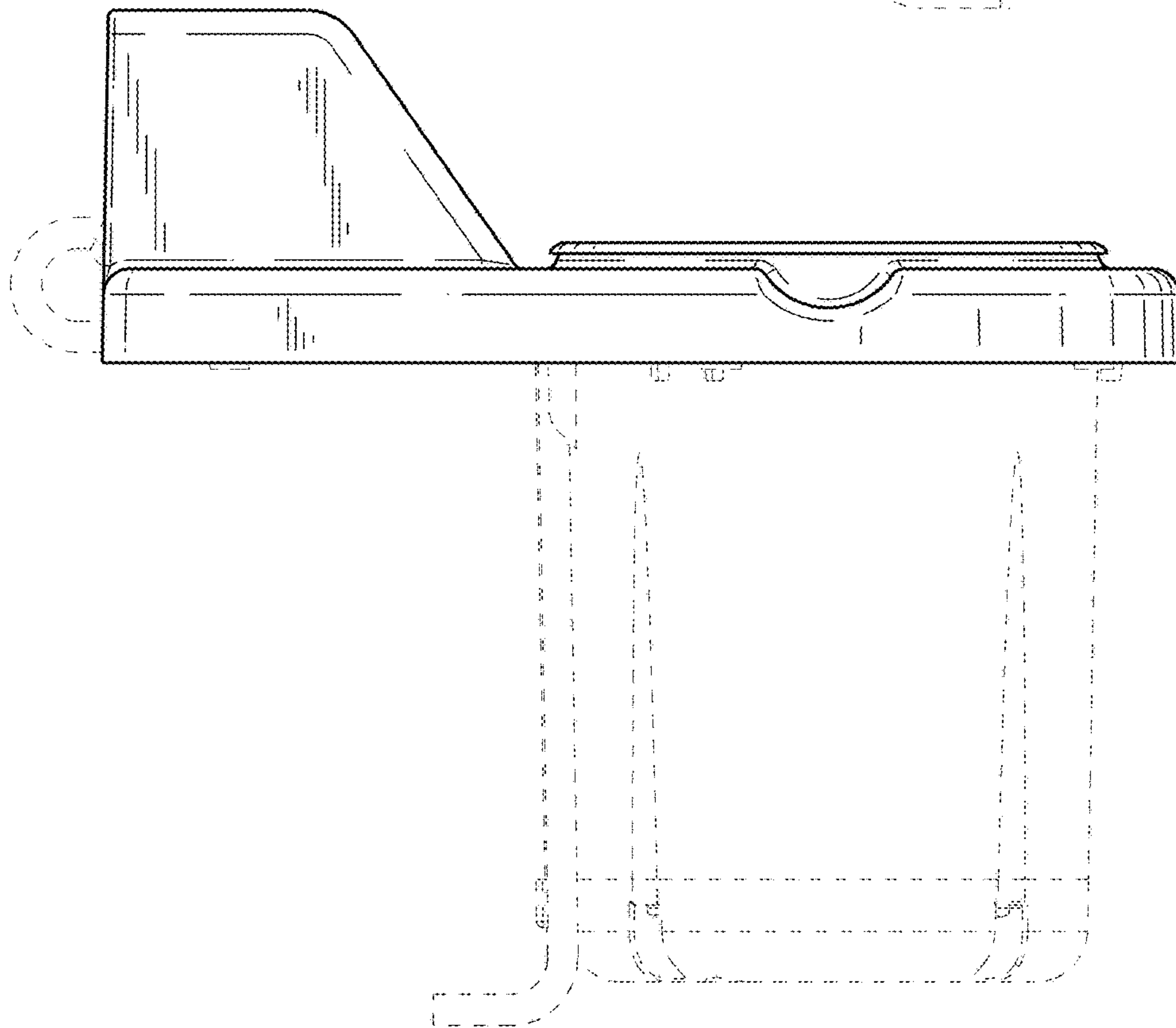


FIG. 5

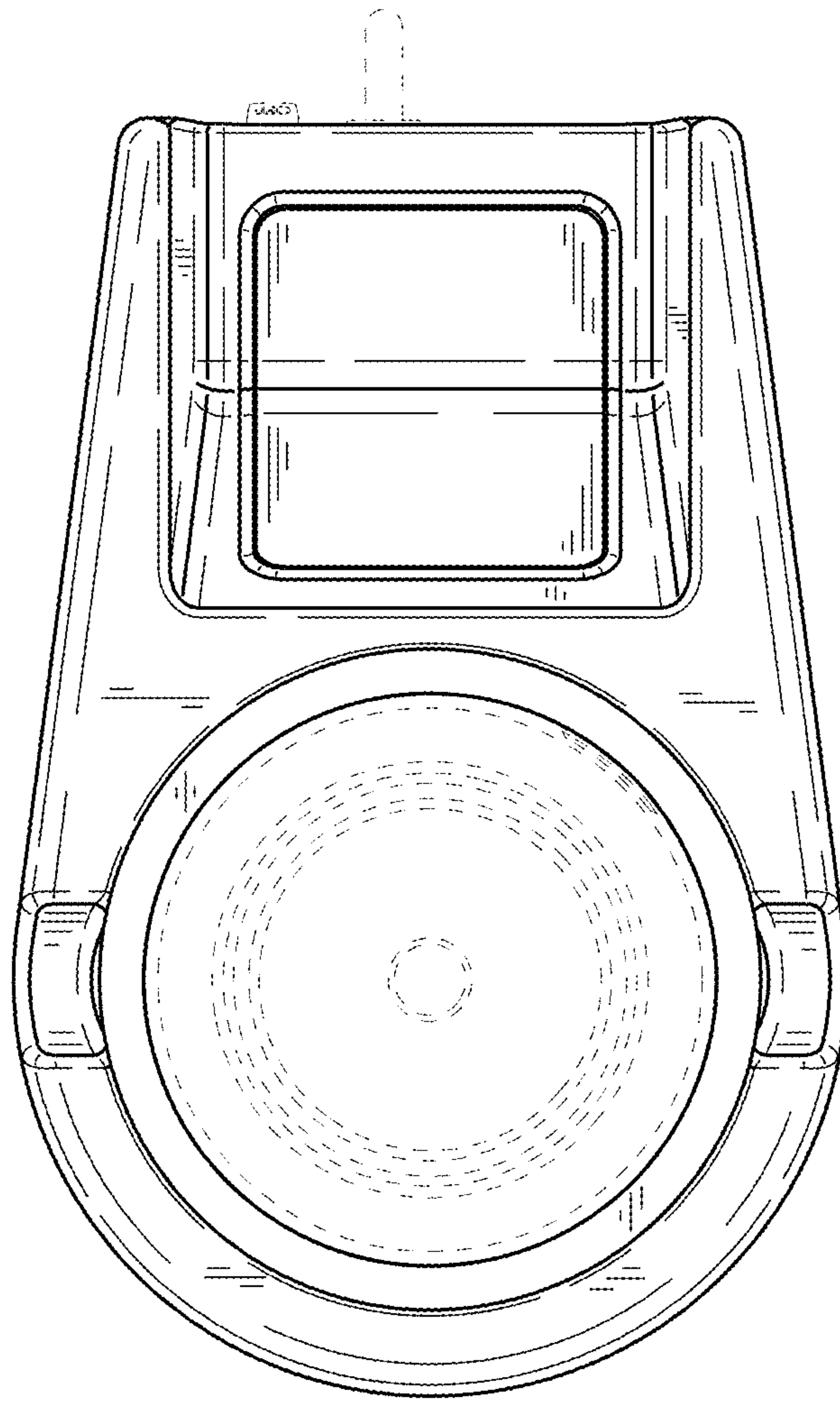


FIG. 6

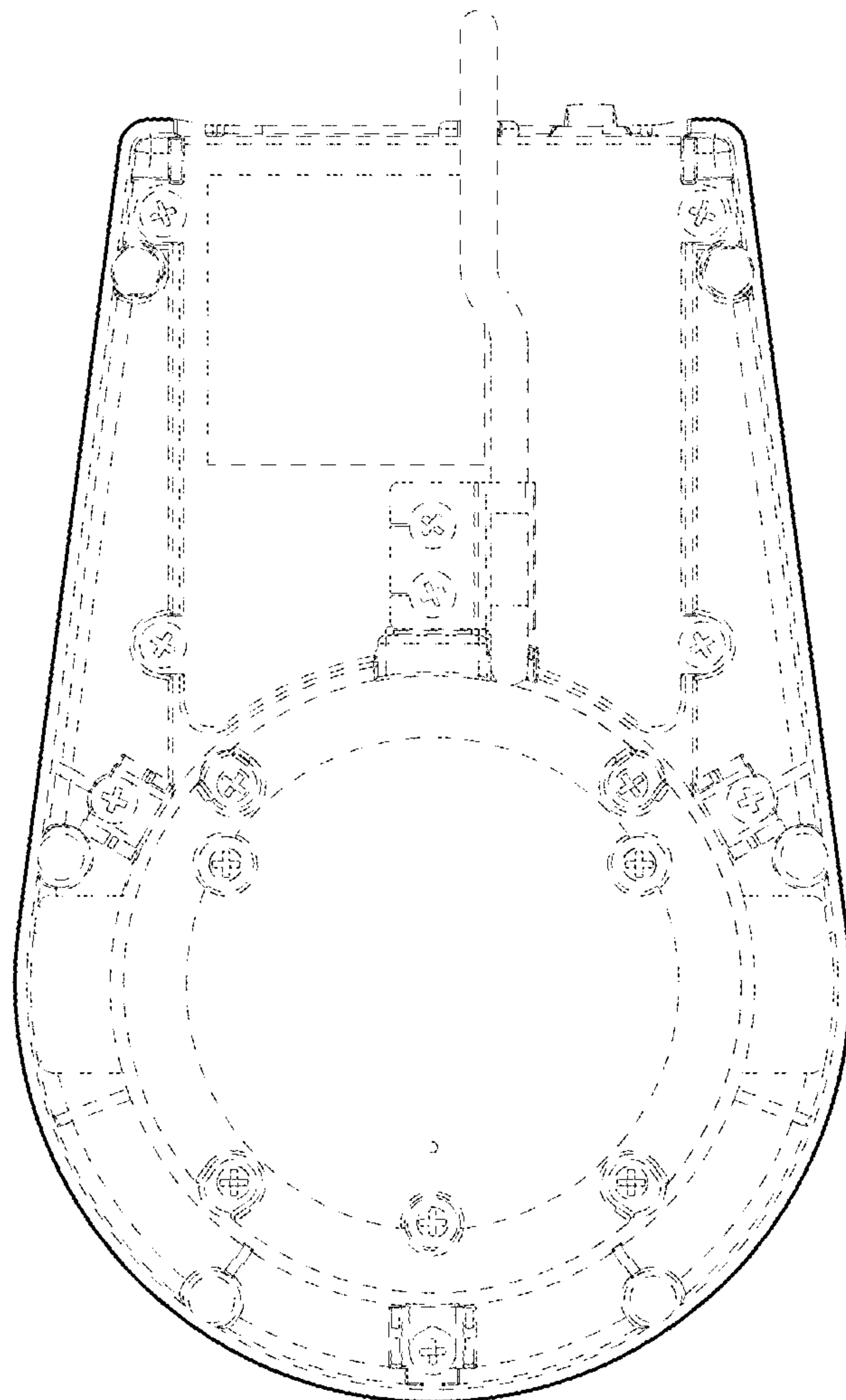


FIG. 7