



US00D800513S

(12) **United States Design Patent** (10) **Patent No.:** **US D800,513 S**
Liu (45) **Date of Patent:** **** Oct. 24, 2017**

(54) **KNIFE BLOCK**
(71) Applicant: **Yunxing Liu**, Irvine, CA (US)
(72) Inventor: **Yunxing Liu**, Irvine, CA (US)
(**) Term: **15 Years**
(21) Appl. No.: **29/549,835**
(22) Filed: **Dec. 28, 2015**
(51) **LOC (10) Cl.** **07-99**
(52) **U.S. Cl.**
USPC **D7/637**
(58) **Field of Classification Search**
USPC D7/637-641; 30/298.4; 211/60.1, 70.6,
211/70.7; 248/37.3, 37.6
CPC A47B 88/20; A47F 7/00; A47G 21/00;
A47G 21/14; B26B 3/00
See application file for complete search history.

7,249,683 B2* 7/2007 Smith A47J 45/02
211/70.7
7,434,693 B2* 10/2008 Mosko A47G 21/14
206/553
2003/0038098 A1* 2/2003 Stuchlik, III A47G 21/14
211/70.7
2012/0279935 A1* 11/2012 McNally A47B 88/20
211/70.7

OTHER PUBLICATIONS

J.A. Henckels 13-Slot In-Drawer Knife Tray, announced Mar. 2002, [online], site visited Jan. 22, 2017. Available from Internet, <URL: <http://www.amazon.com>>.*

* cited by examiner

Primary Examiner — Ian Simmons
Assistant Examiner — Janice Lim

(57) **CLAIM**

The ornamental design for a knife block, as shown and described.

DESCRIPTION

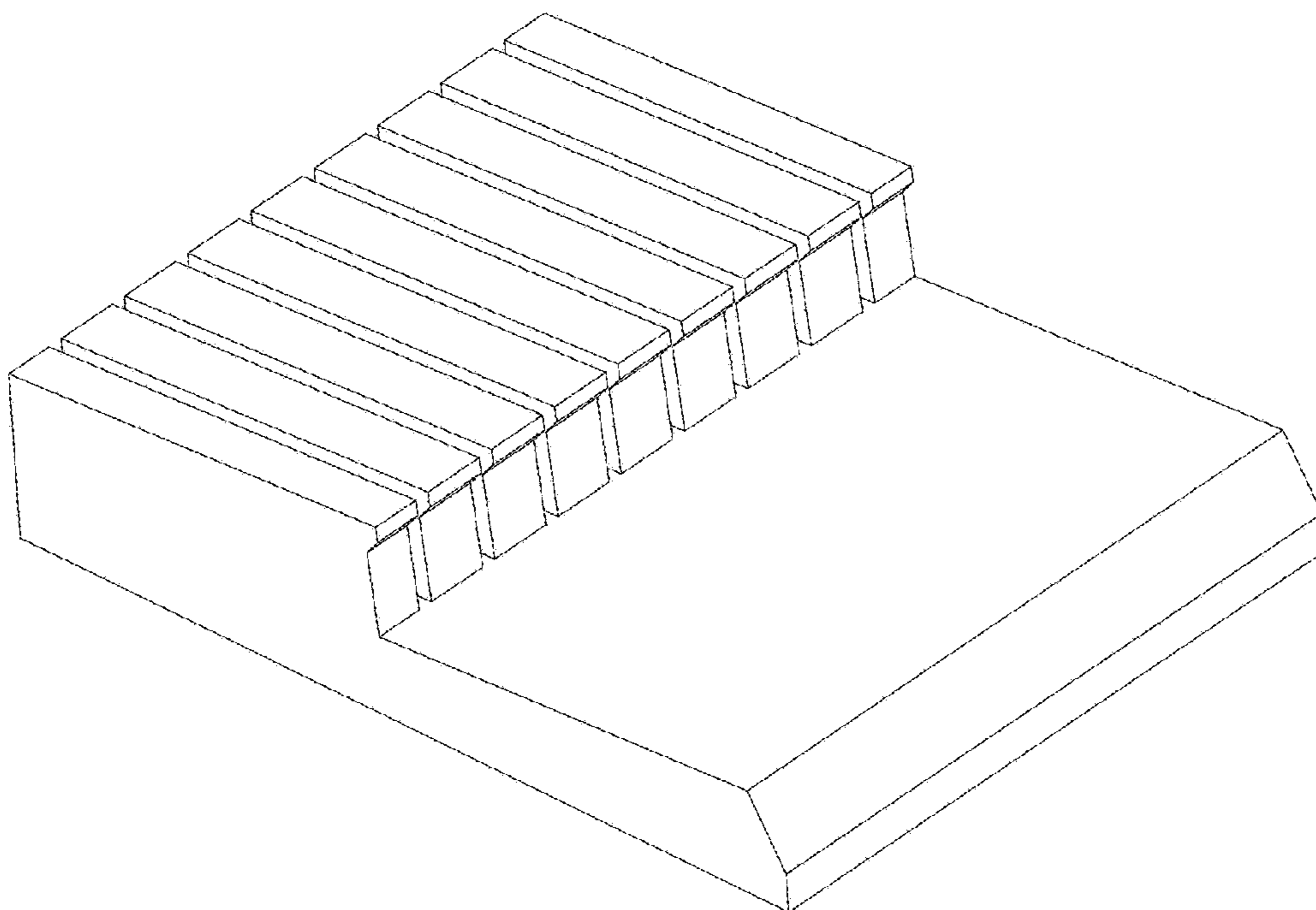
FIG. 1 is a front, left side perspective view of a knife block, and the front, right side perspective view being a mirror image thereof, showing my new design.
FIG. 2 is a left side view thereof, and the right side view being a mirror image thereof.
FIG. 3 is a top view thereof.
FIG. 4 is a bottom view thereof.
FIG. 5 is a rear view thereof; and,
FIG. 6 is a front view thereof.

1 Claim, 3 Drawing Sheets

(56) **References Cited**

U.S. PATENT DOCUMENTS

D149,540 S * 5/1948 Case et al. 206/558
D186,394 S * 10/1959 Hvale D7/637
D197,854 S * 3/1964 Hvale D7/637
4,966,339 A * 10/1990 Lu A47G 21/14
211/70.7
D333,238 S * 2/1993 Stead D7/637
6,619,487 B2* 9/2003 Stuchlik, III A47G 21/14
211/70.7
6,659,406 B2* 12/2003 Tsuchida A47J 47/16
211/70.7
D512,279 S * 12/2005 Berger D7/637
D527,957 S * 9/2006 Ranieri D7/637



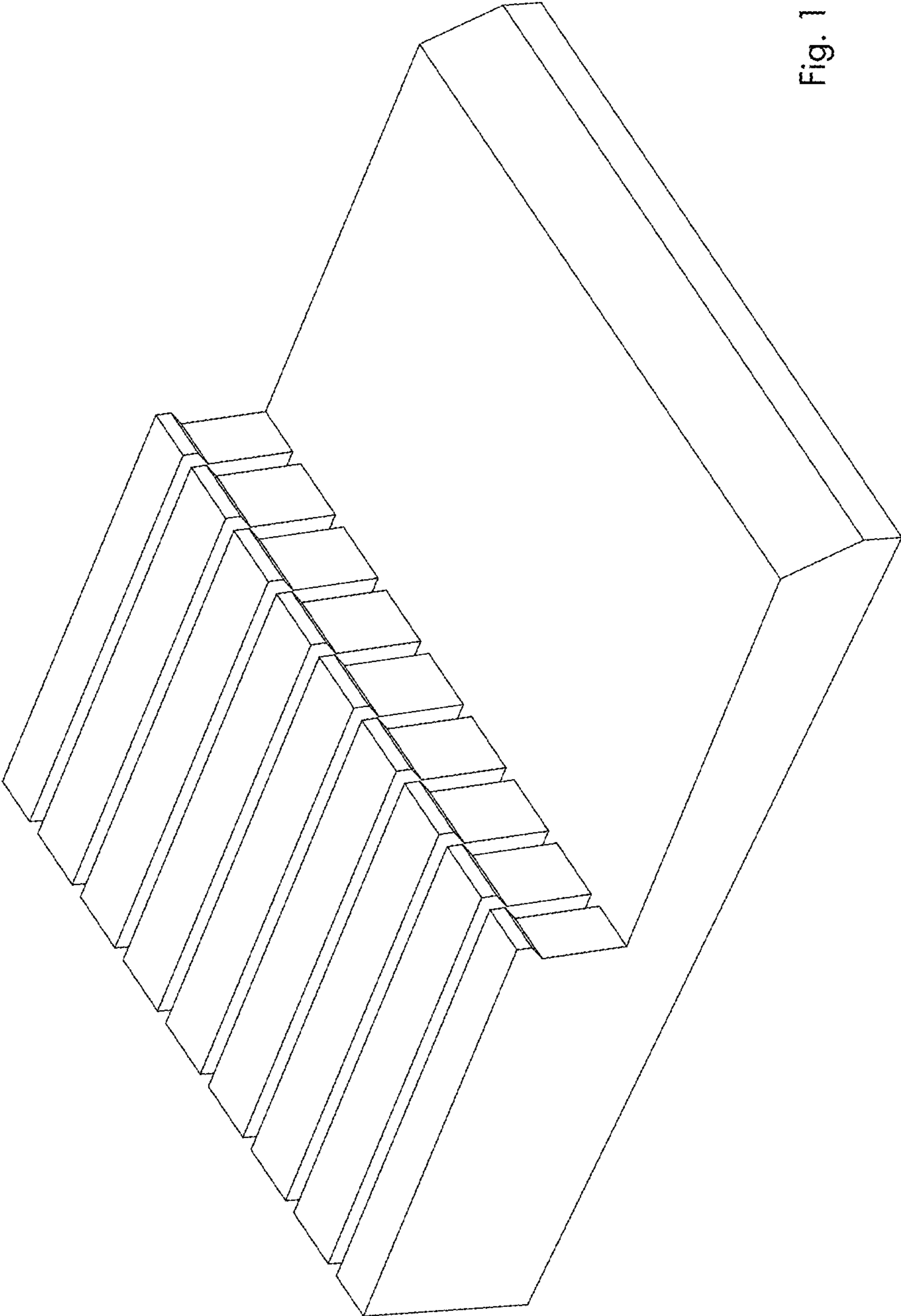


Fig. 1

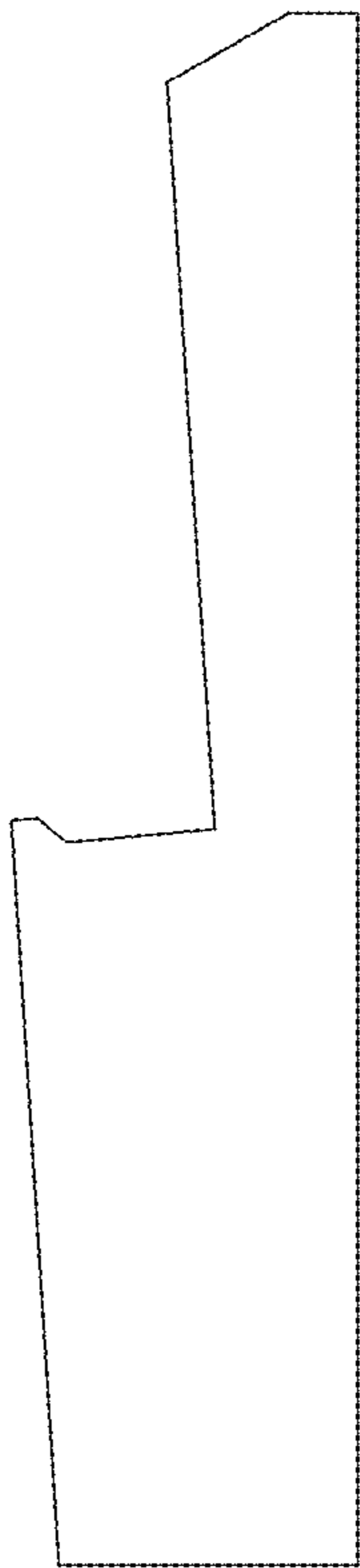


Fig. 2

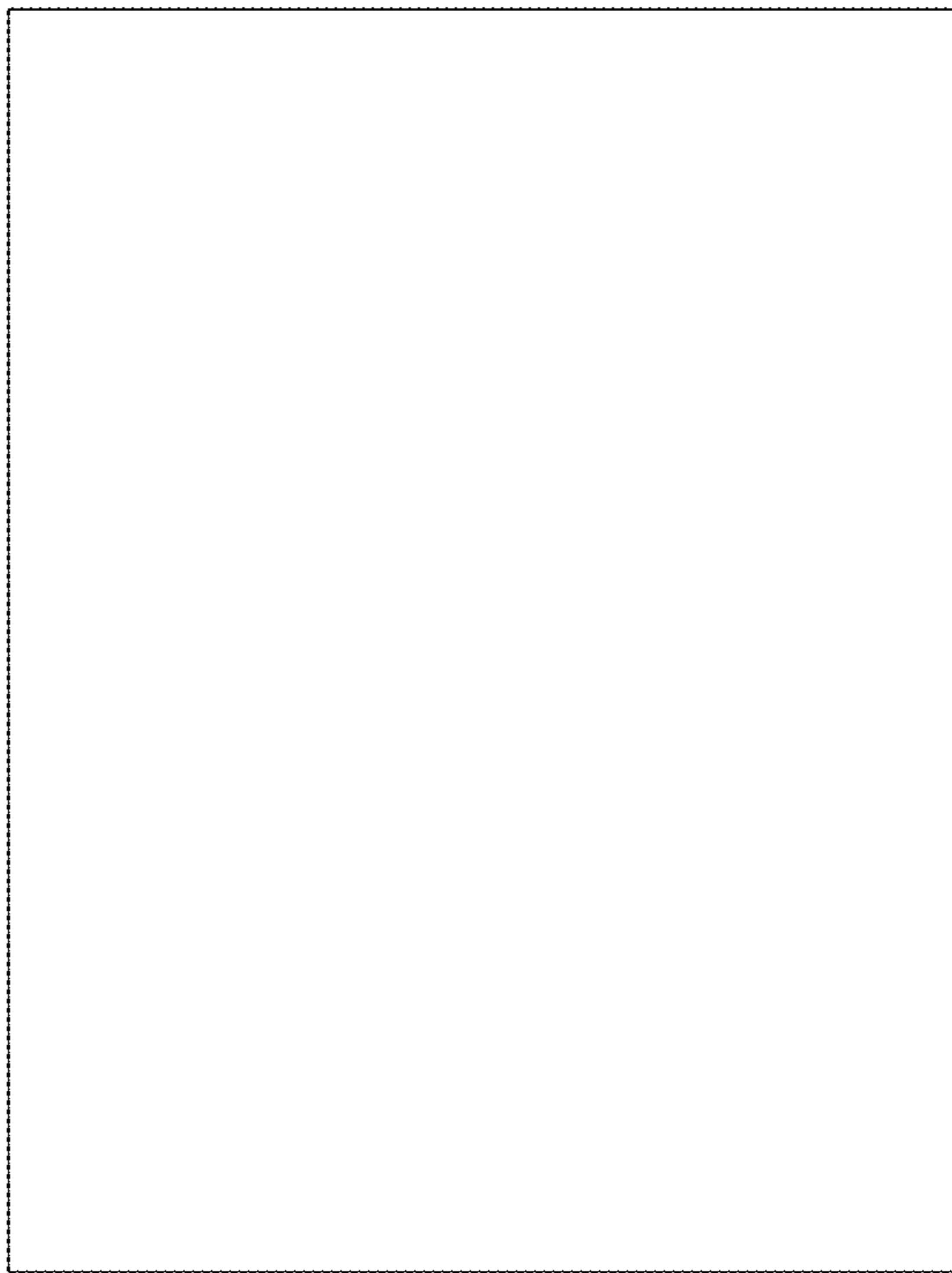


Fig. 4

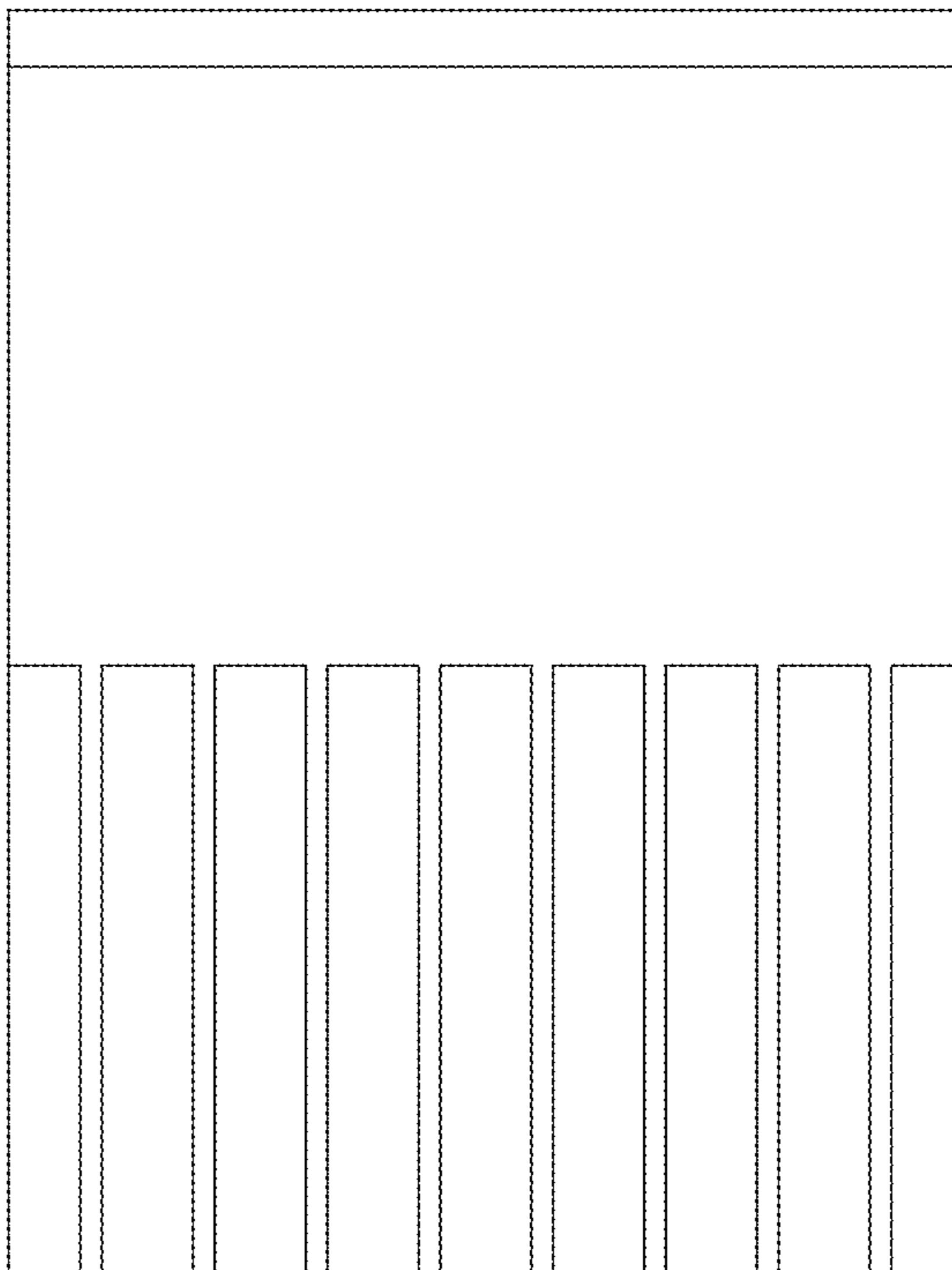


Fig. 3

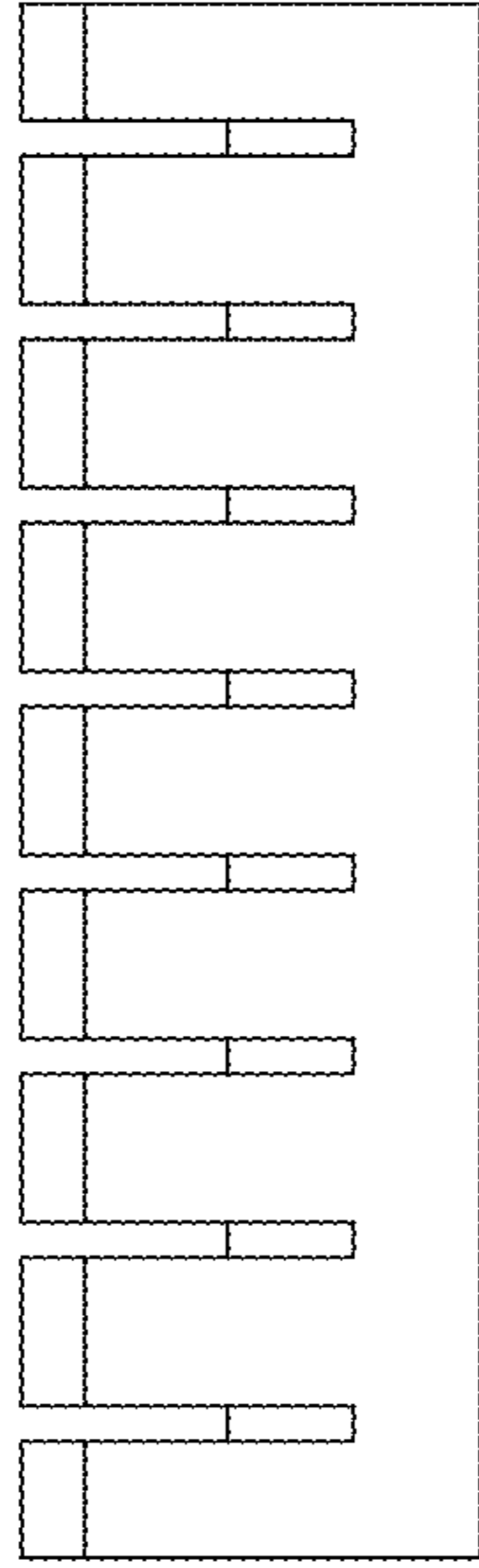


Fig. 6

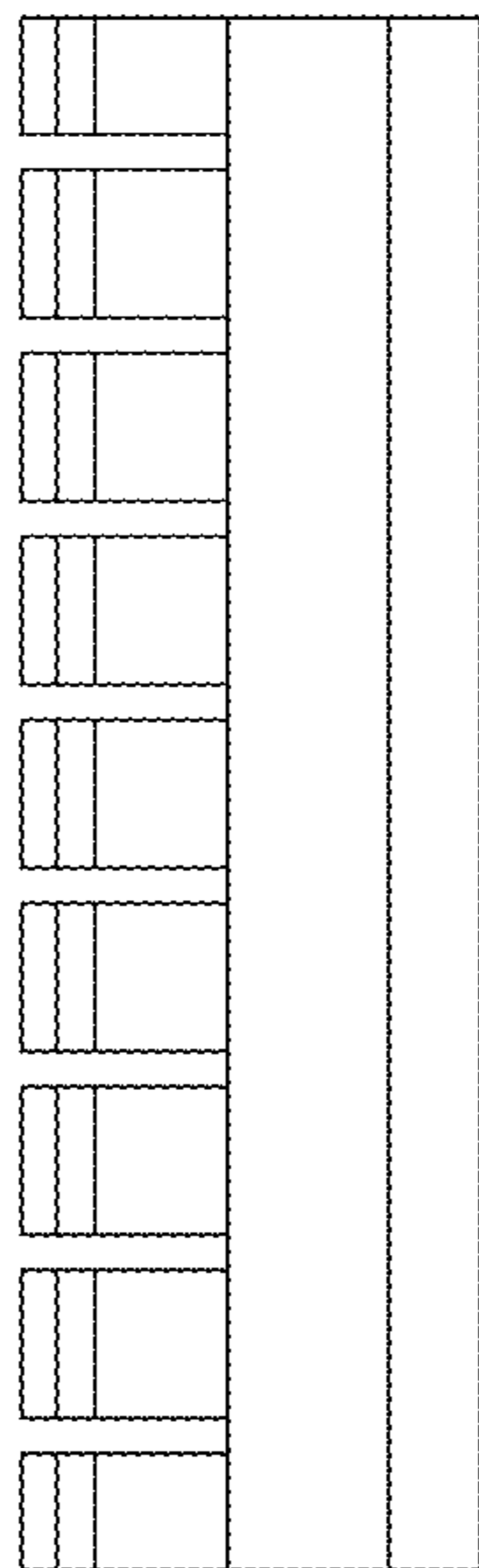


Fig. 5