



US00D800510S

(12) **United States Design Patent** (10) **Patent No.:** **US D800,510 S**  
**Lessells** (45) **Date of Patent:** **\*\* Oct. 24, 2017**

(54) **COMBINED BEVERAGE MUG AND CAN HOLDER**  
(71) Applicant: **Doug Lessells**, Hilliard, OH (US)  
(72) Inventor: **Doug Lessells**, Hilliard, OH (US)  
(\*\*) Term: **15 Years**  
(21) Appl. No.: **29/559,868**  
(22) Filed: **Mar. 31, 2016**  
(51) **LOC (10) Cl.** ..... **07-06**  
(52) **U.S. Cl.**  
USPC ..... **D7/625; D7/606**  
(58) **Field of Classification Search**  
USPC ..... D7/619.1-625, 701-708, 514, 515, 536  
CPC ..... A47G 23/0216; A47G 23/0225; A47G  
19/2288; F25D 3/08; A45C 11/20; F17C  
13/001; B65D 81/3886  
See application file for complete search history.

D673,428 S \* 1/2013 Lessells ..... D7/606  
D716,104 S \* 10/2014 Lessells ..... D7/606  
2004/0232156 A1\* 11/2004 Hogan ..... A47G 23/0216  
220/737

\* cited by examiner

*Primary Examiner* — Terry Wallace  
(74) *Attorney, Agent, or Firm* — Standley Law Group  
LLP

(57) **CLAIM**

The ornamental design for a combined beverage mug and can holder, as shown and described.

**DESCRIPTION**

FIG. 1 is an assembled rear perspective view of the combined beverage mug and can holder;  
FIG. 2 is a right side elevation view thereof;  
FIG. 3 is a left side elevation view thereof;  
FIG. 4 is a front elevation view thereof;  
FIG. 5 is a rear elevation view thereof;  
FIG. 6 is a top plan view thereof;  
FIG. 7 is a bottom plan elevation view thereof; and,  
FIG. 8 is an exploded rear perspective view, corresponding to FIG. 1, with the removable cup portion shown removed from the holder.

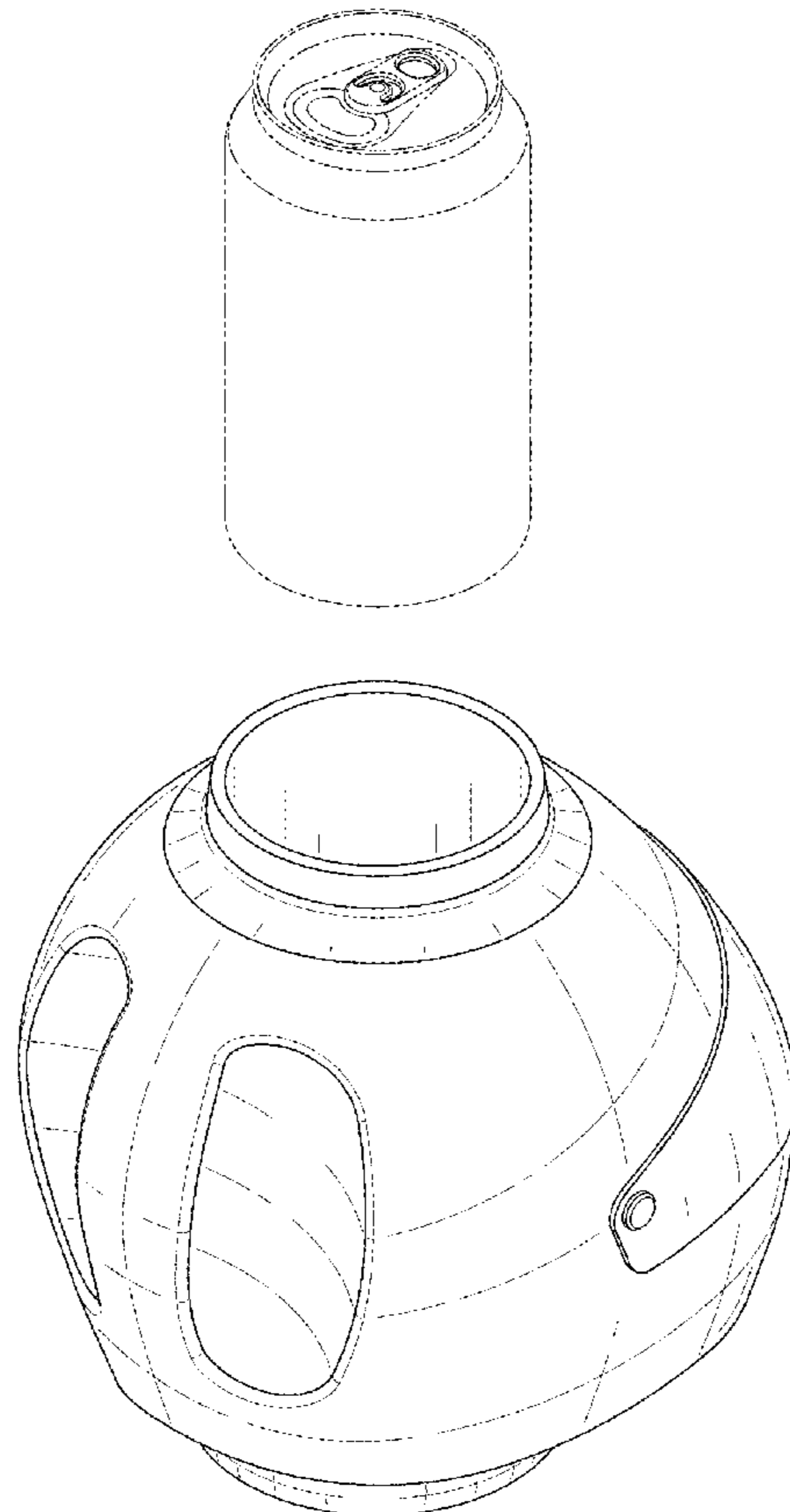
The broken lining of the beverage can is included for the purpose of illustrating the environment and forms no part of the claimed design.

**1 Claim, 5 Drawing Sheets**

(56) **References Cited**

U.S. PATENT DOCUMENTS

D365,727 S \* 1/1996 Adams ..... D7/536  
D370,836 S \* 6/1996 Van Blankenburg ..... D29/106  
D428,309 S \* 7/2000 Schlotthauer ..... D7/625  
D599,625 S \* 9/2009 Lessells ..... D7/606  
D620,764 S \* 8/2010 Lessells ..... D7/605



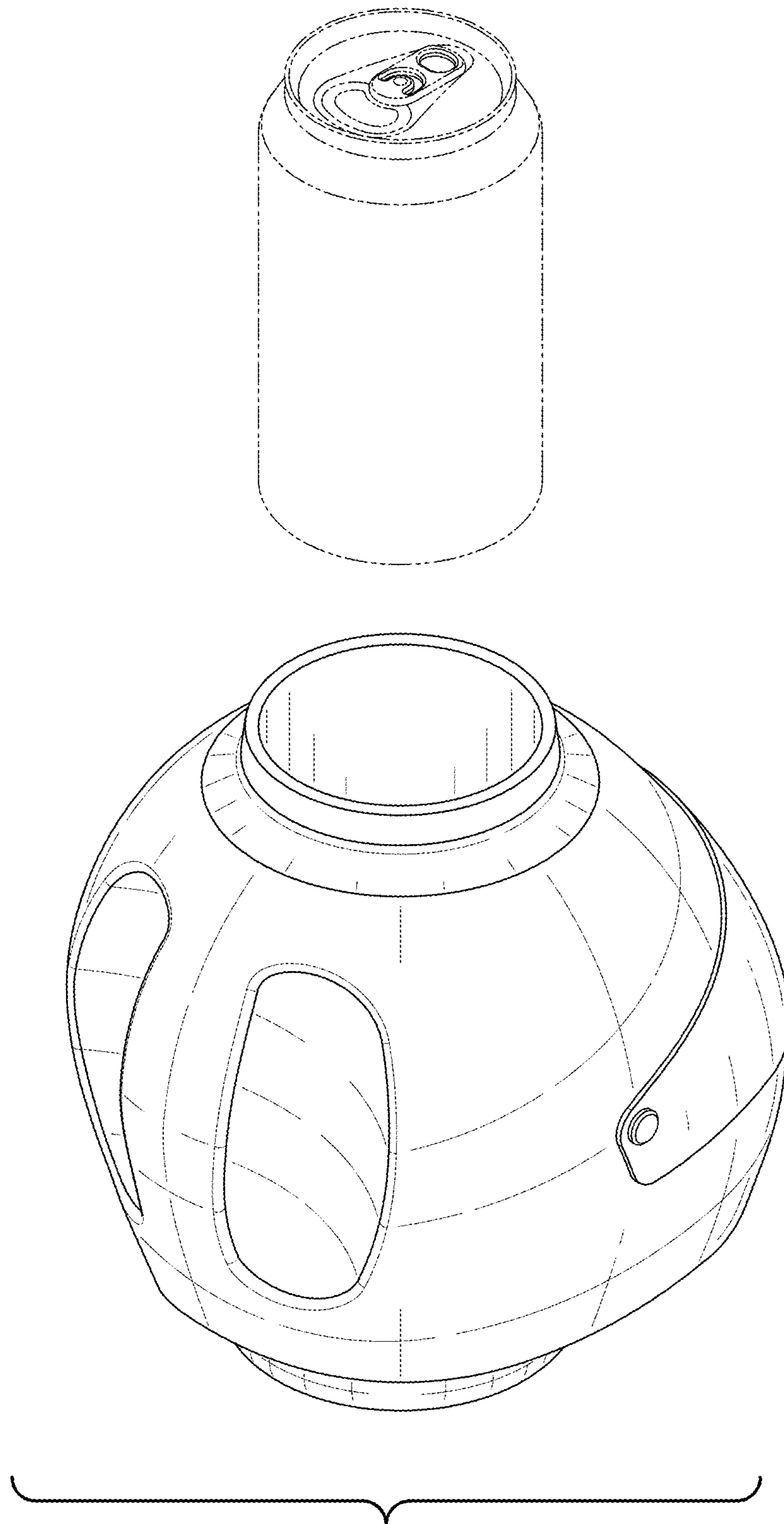


FIG. 1

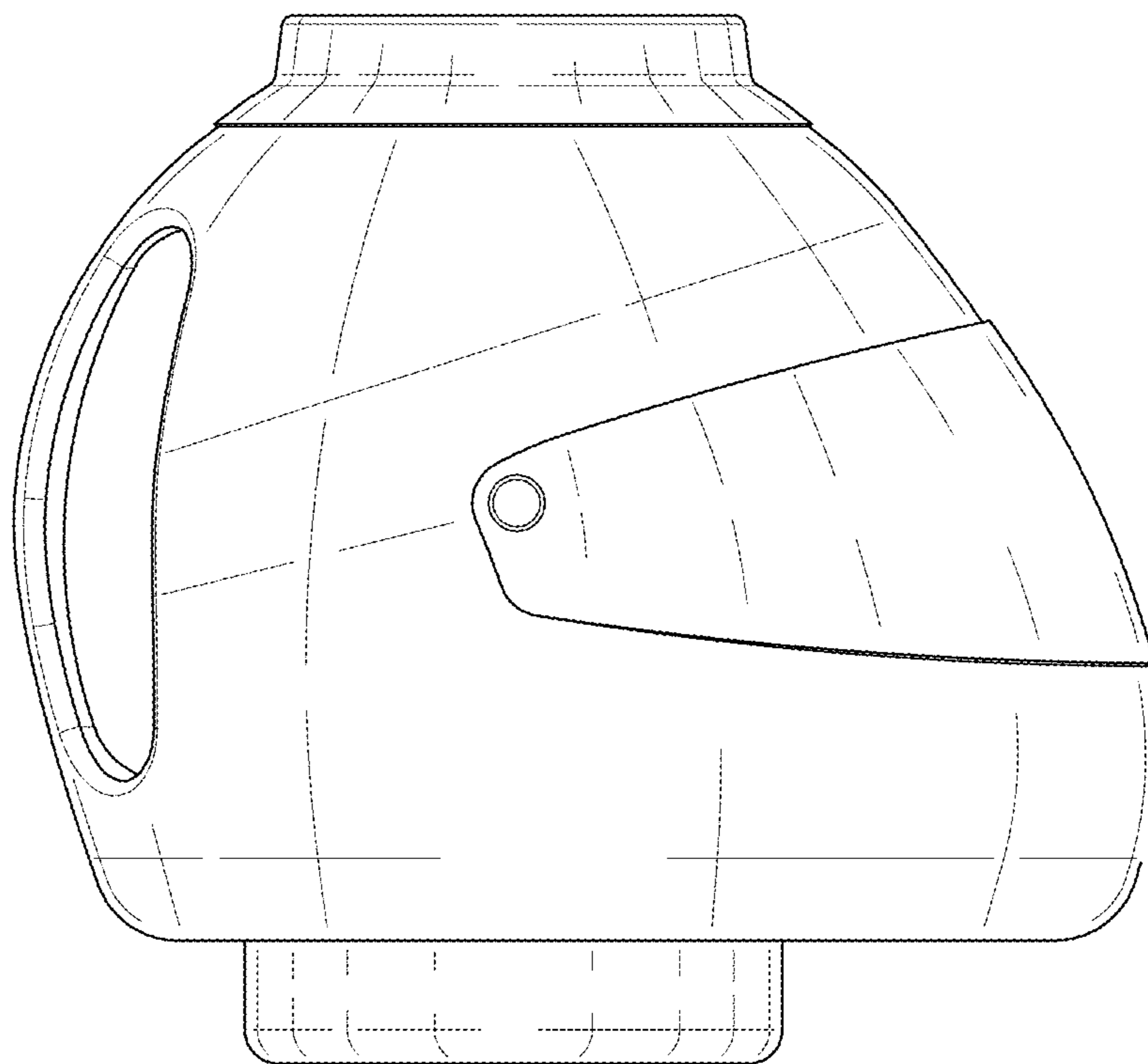


FIG. 2

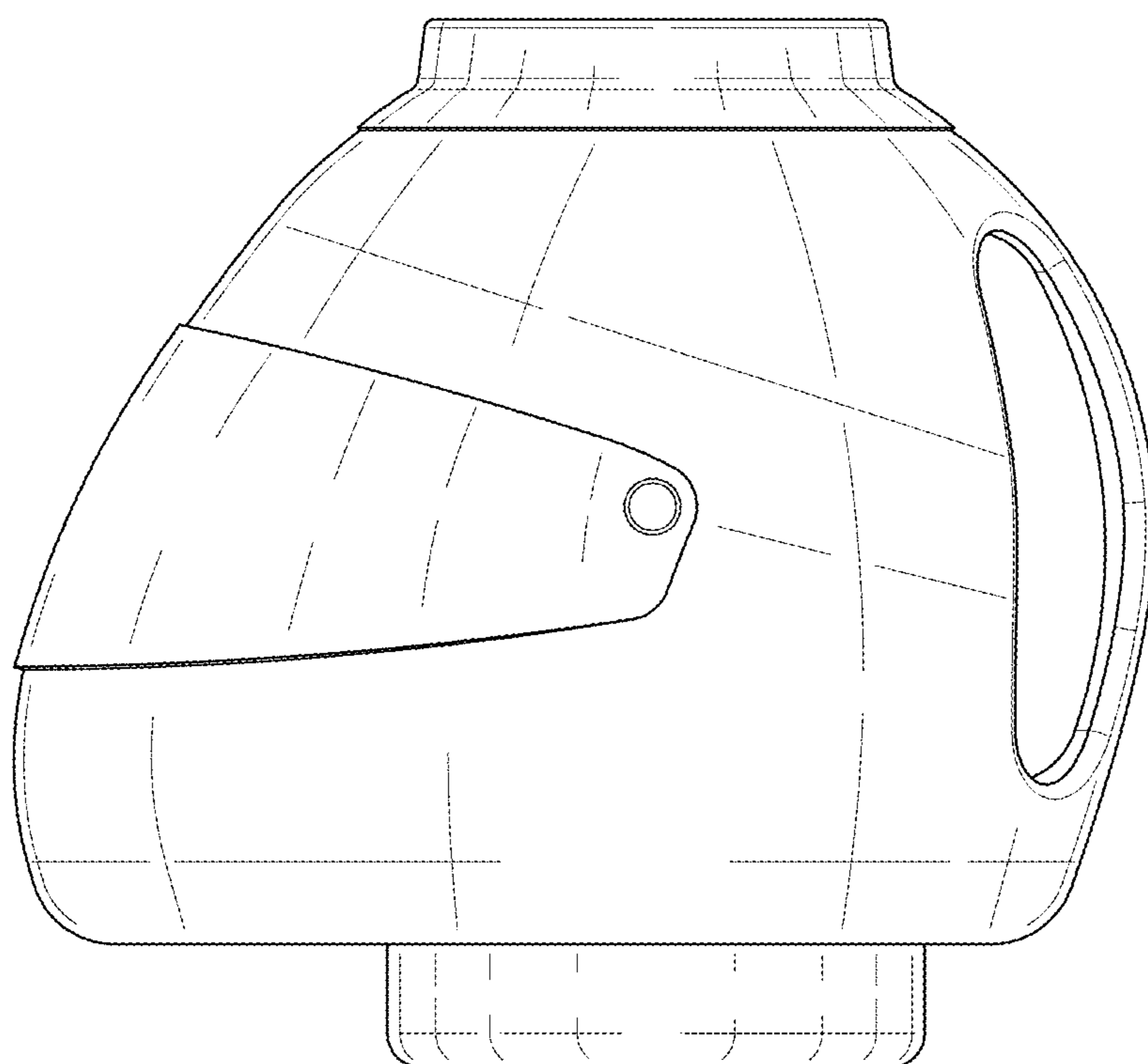


FIG. 3

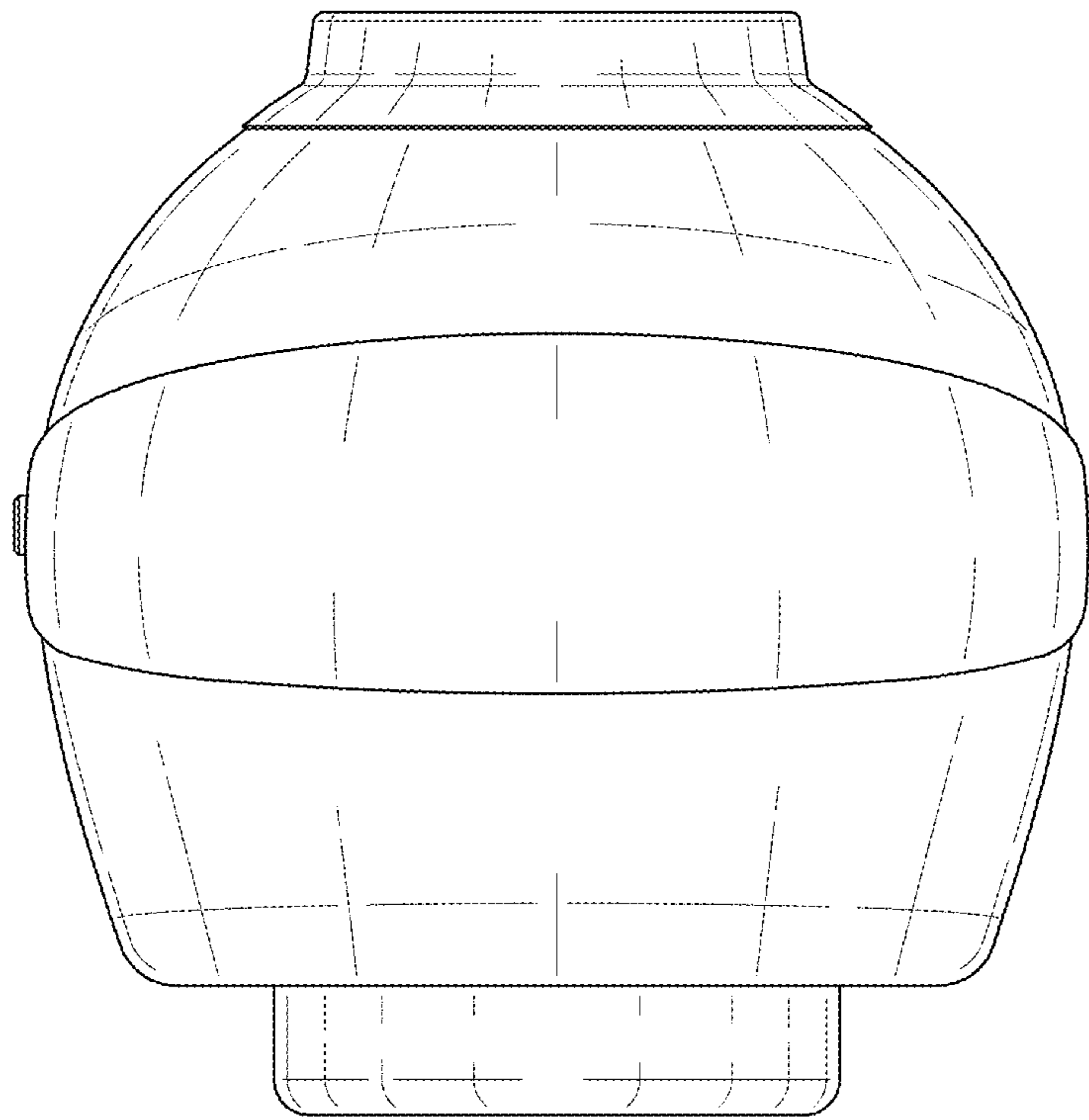


FIG. 4

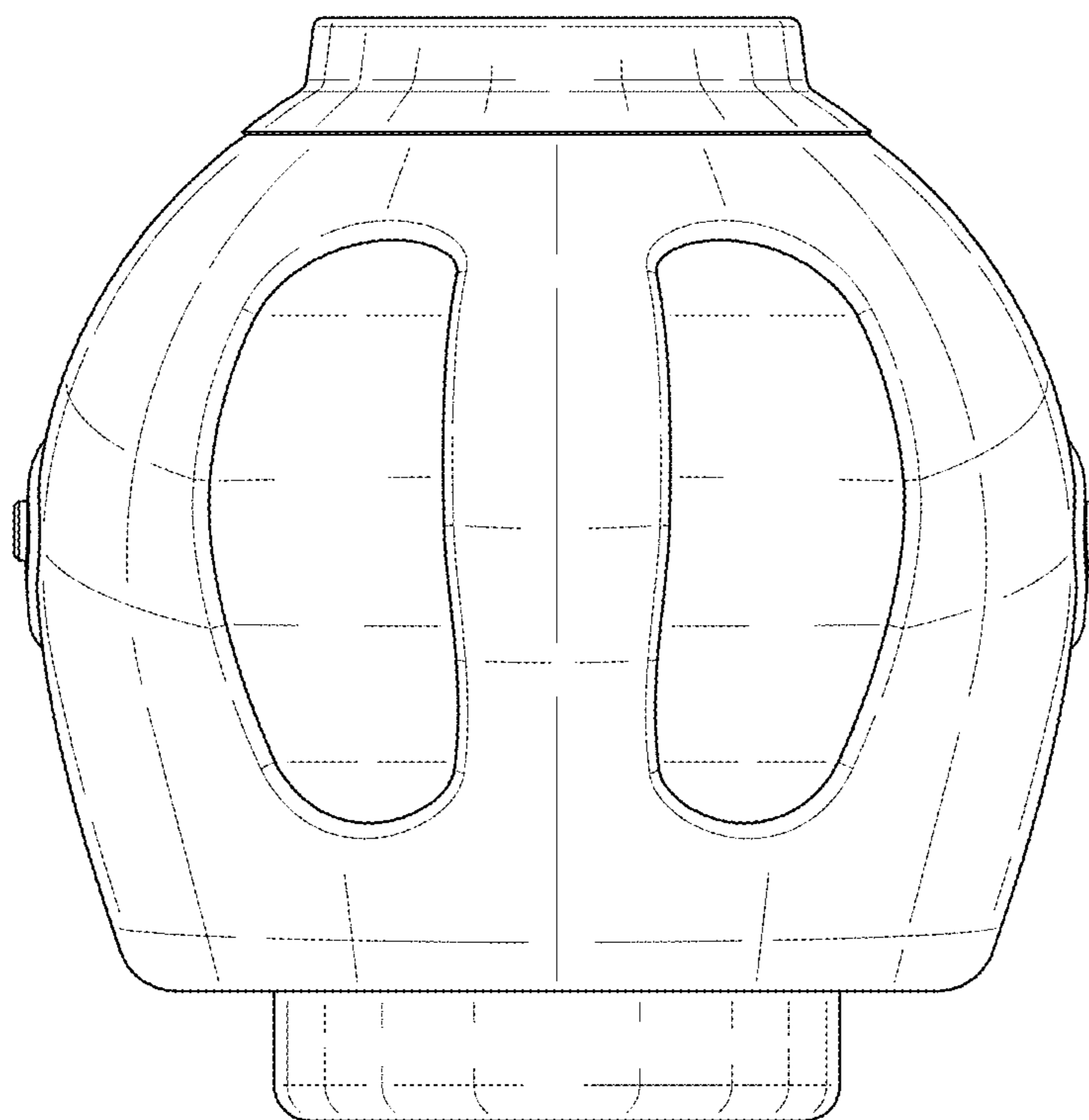


FIG. 5



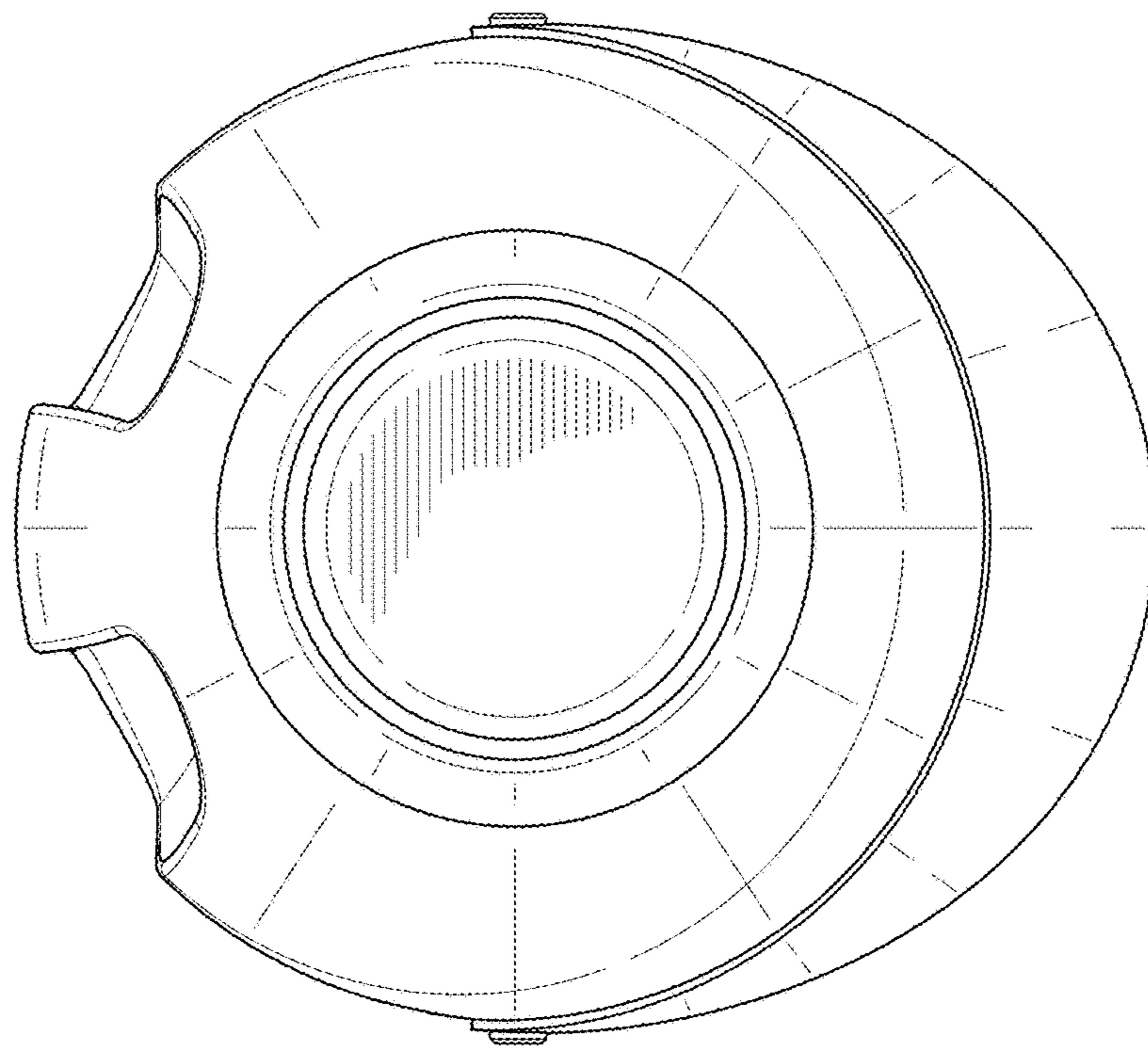


FIG. 6

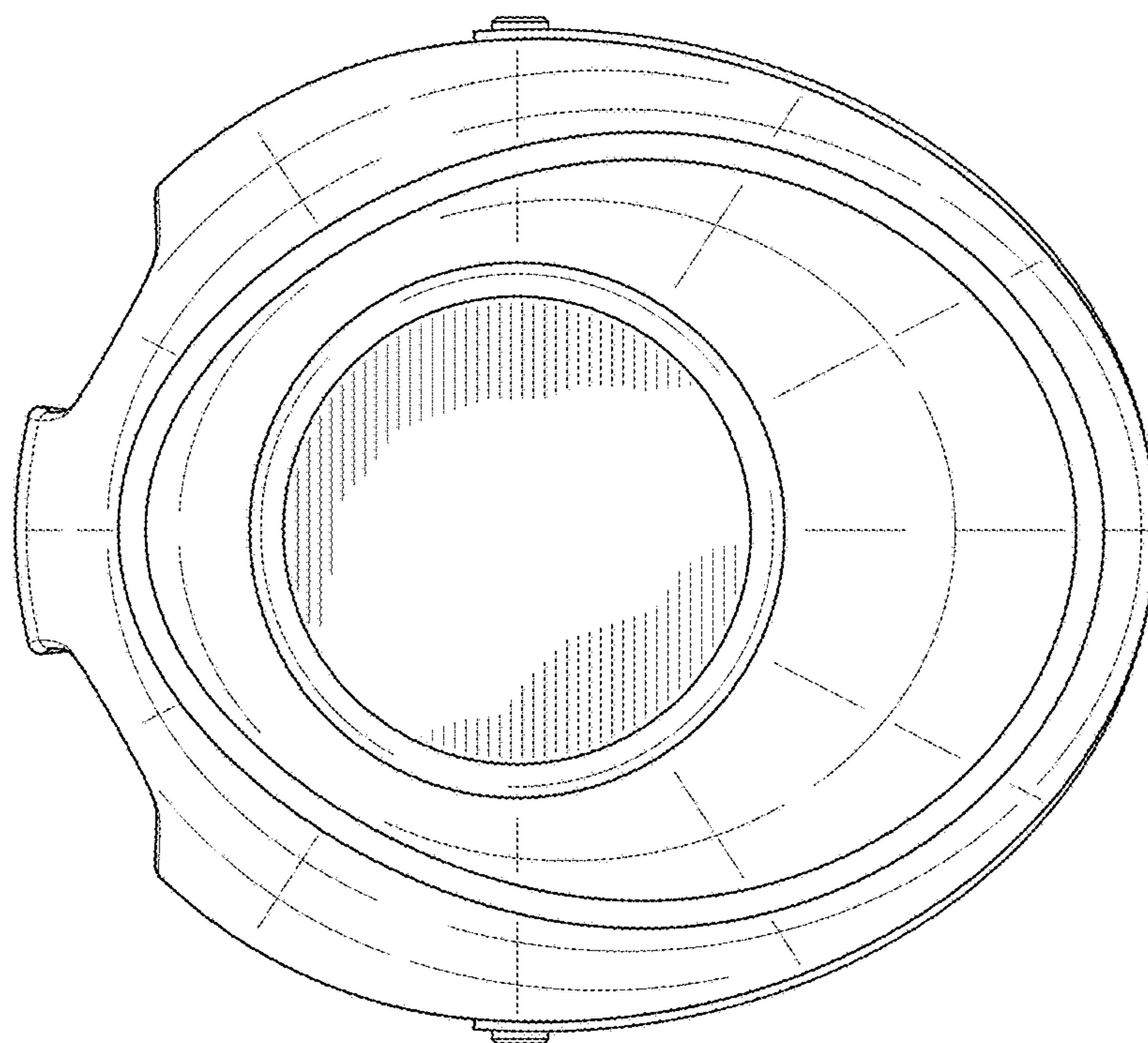


FIG. 7

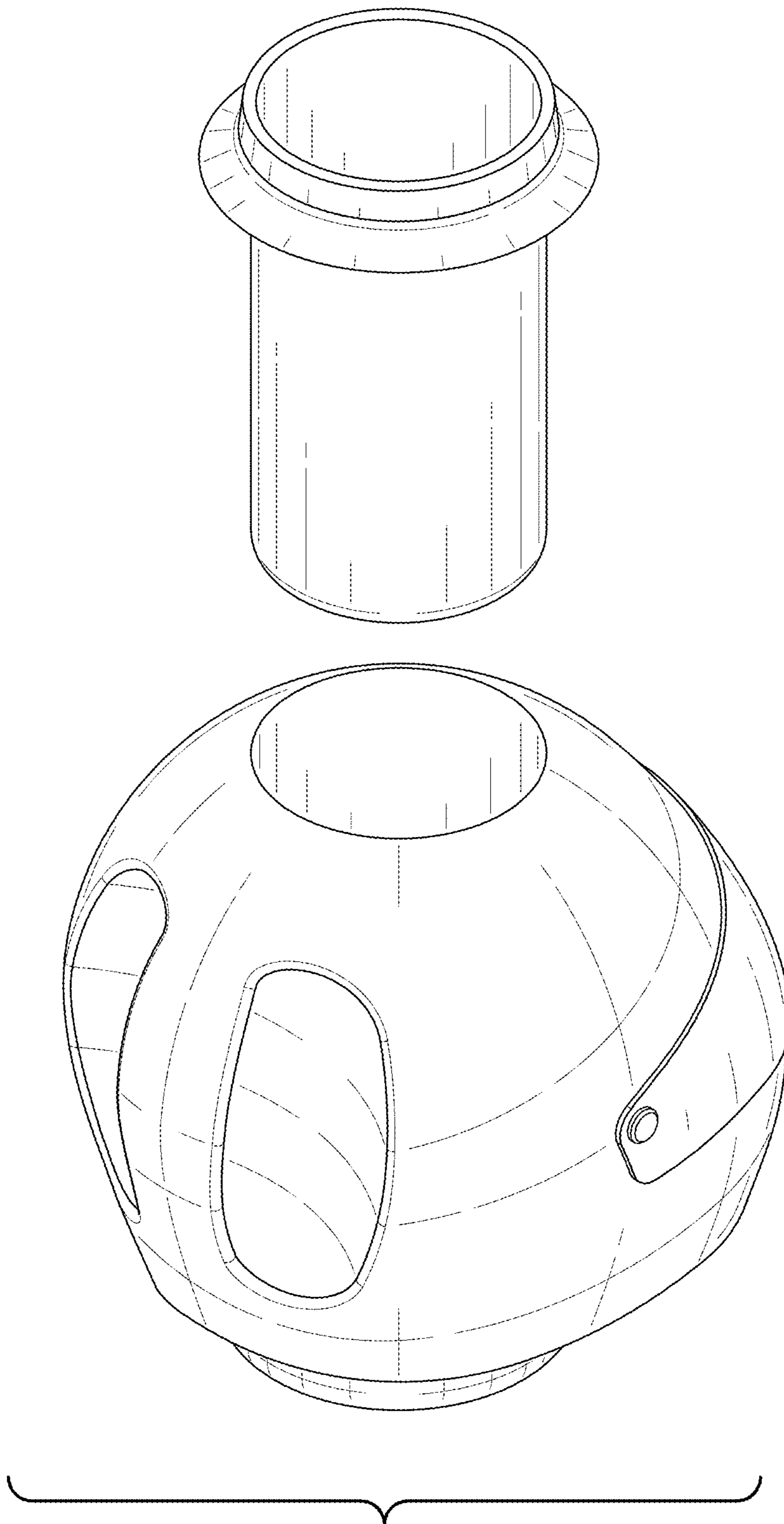


FIG. 8