



US00D800508S

(12) **United States Design Patent** (10) **Patent No.:** **US D800,508 S**
Peters (45) **Date of Patent:** **** Oct. 24, 2017**

(54) **FOOTBALL-SHAPED CONTAINER AND BASE**

(71) Applicant: **Kristopher J. Peters**, Fairhaven, MA (US)

(72) Inventor: **Kristopher J. Peters**, Fairhaven, MA (US)

(**) Term: **15 Years**

(21) Appl. No.: **29/536,468**

(22) Filed: **Aug. 17, 2015**

(51) **LOC (10) Cl.** **07-01**

(52) **U.S. Cl.**
USPC **D7/559**; D7/901; D7/564; D7/613;
D11/149; D9/668

(58) **Field of Classification Search**
USPC D7/558, 559, 599, 514, 515, 518, 521,
D7/901, 606, 564, 613, 594; D11/149;
D6/512, 665; D9/668; 206/233;
220/630

CPC B65D 23/001; B65D 81/261; B65D 43/18;
B65D 81/365

See application file for complete search history.

(56) **References Cited**

U.S. PATENT DOCUMENTS

D145,800 S *	10/1946	House, Jr.	312/7.1
D204,477 S *	4/1966	Lindsay	D7/599
D212,818 S *	11/1968	Flaherty	D7/511
3,624,939 A *	12/1971	Gossard	A47G 1/12 206/0.84
D228,328 S *	9/1973	Schley	D21/712
D231,301 S *	4/1974	Krieger et al.	D7/559
D243,648 S *	3/1977	Conroy	D11/145
D249,438 S *	9/1978	Meier	D7/511
4,164,284 A *	8/1979	Witt	B65D 81/3846 206/217
D266,436 S *	10/1982	Smith	D10/2

D279,643 S *	7/1985	Jensen	D7/589
D297,898 S *	10/1988	Hung	D7/589
D298,105 S *	10/1988	Lamantia, Jr.	D9/414
D323,602 S *	2/1992	Katz	D7/316
D332,741 S *	1/1993	Turner	473/596
D340,078 S *	10/1993	Turner	D11/149
D354,642 S *	1/1995	Stoddard	D30/102
D359,655 S *	6/1995	Hurst	D7/514

(Continued)

OTHER PUBLICATIONS

Industrial design collection, (c) Questel, downloaded from www.orbit.com on May 29, 2015.

(Continued)

Primary Examiner — Marianne Pandozzi

(74) *Attorney, Agent, or Firm* — Burns & Levinson LLP; Orlando Lopez; Marlo Schepper Grolnic

(57) **CLAIM**

The ornamental design for a football-shaped container and base, as shown and described.

DESCRIPTION

FIG. 1 is a perspective view of a football-shaped container and base;

FIG. 2 is a front view of the football-shaped container and base;

FIG. 3 is a side view of the football-shaped container and base;

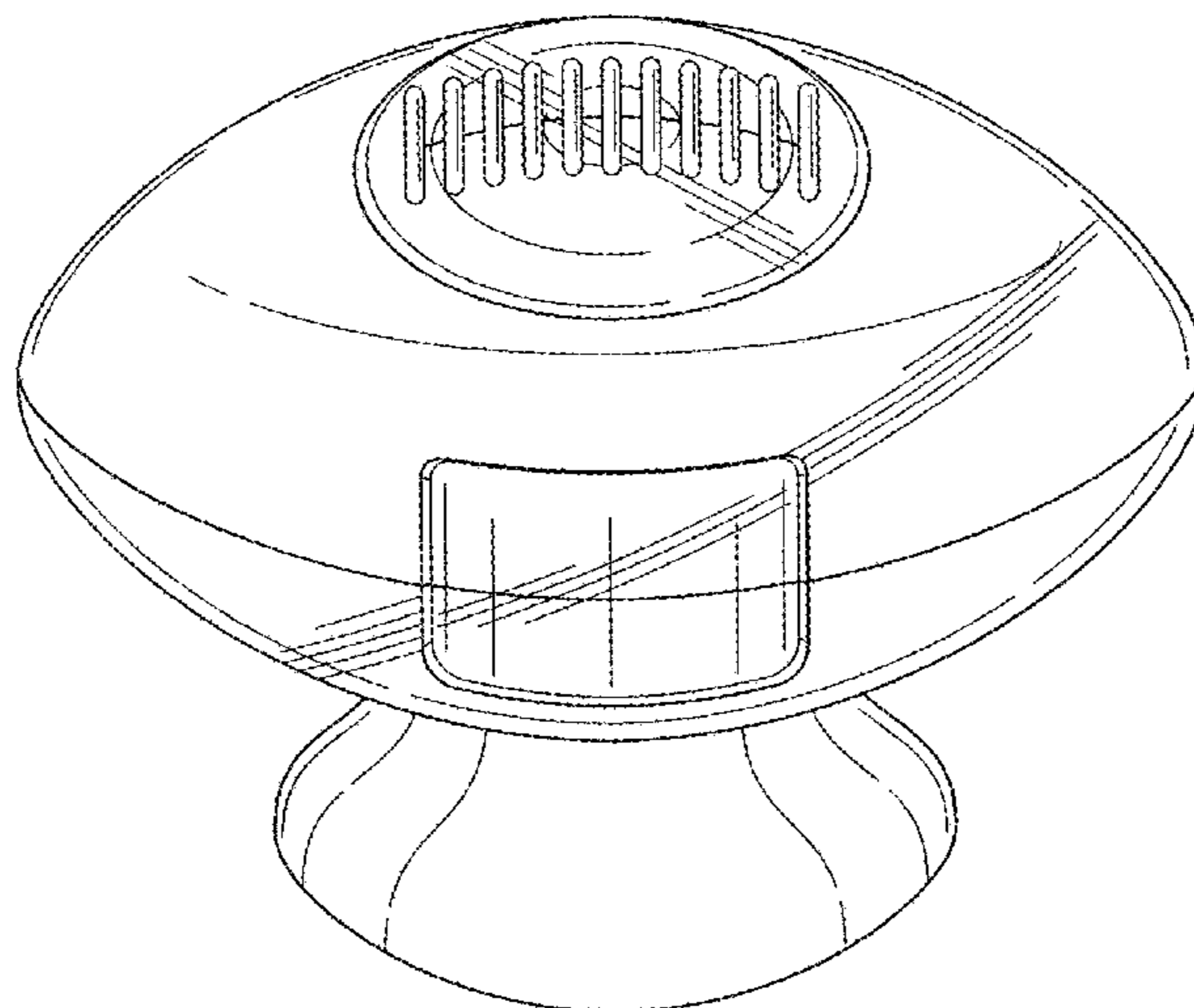
FIG. 4 is a top view of the football-shaped container and base;

FIG. 5 is a bottom view of the football-shaped container and base;

FIG. 6 is an exploded, perspective view of the football-shaped container and base; and,

FIG. 7 is a bottom plan view of the football-shaped container and base with the base removed for ease of illustration.

1 Claim, 7 Drawing Sheets



(56)

References Cited

U.S. PATENT DOCUMENTS

D367,340 S * 2/1996 Dunn D28/67
 D377,998 S * 2/1997 Dunn D28/67
 D379,137 S * 5/1997 Lam D7/589
 5,662,241 A * 9/1997 Sorensen B65D 23/001
 220/630
 D387,614 S * 12/1997 Wilson D7/396.2
 D411,715 S * 6/1999 Hansen D7/606
 D420,003 S * 2/2000 Dervish D14/189
 D425,757 S * 5/2000 Printz D7/510
 D511,212 S * 11/2005 Whalen D24/197
 D522,710 S * 6/2006 Beacham D99/37
 D541,552 S * 5/2007 Weldon D3/271.9
 D575,079 S * 8/2008 Hirsh D6/665
 D589,765 S * 4/2009 Zuloff D7/515
 D604,086 S * 11/2009 Lipinski D7/301
 D614,504 S * 4/2010 Coat D9/548
 D621,199 S * 8/2010 Lam D7/325
 D621,657 S * 8/2010 Quinn D7/507
 D623,905 S * 9/2010 Paslawski D7/606
 7,954,634 B2 * 6/2011 Blakeman B65D 43/18
 206/233
 D666,048 S * 8/2012 Kasswran D7/301
 D666,919 S * 9/2012 Gelin D9/668
 8,684,397 B2 * 4/2014 Blakeman A45C 5/08
 280/30

D710,152 S * 8/2014 Marini D7/515
 D710,154 S * 8/2014 Marini D7/515
 D713,688 S * 9/2014 Thomas D7/515
 D714,868 S * 10/2014 Nash D19/86
 D718,146 S * 11/2014 Tussy D9/668
 D735,050 S * 7/2015 Tussy D9/668
 D735,533 S * 8/2015 Kolano D7/539
 D775,913 S * 1/2017 Knirr D8/38
 D789,748 S * 6/2017 Peters D7/564
 2011/0079526 A1 * 4/2011 Blakeman B65D 43/18
 206/457

OTHER PUBLICATIONS

San Francisco 49ers Football Snack Dispenser, downloaded from
www.amazon.com on May 29, 2015.
 Football Shaped Snack Dispenser, downloaded from www.oempromo.com
 on May 29, 2015.
 Post-it® Pop-up Notes Dispenser for 3 in×3 in Notes, Football
 Shape, Dallas Cowboys design, downloaded from www.postit.com
 on May 29, 2015.
 Football Shaped Plastic Candy/Snack Dispenser—Clear Football—
 Blue & Red Base, downloaded from www.ebay.com on May 29,
 2015.

* cited by examiner

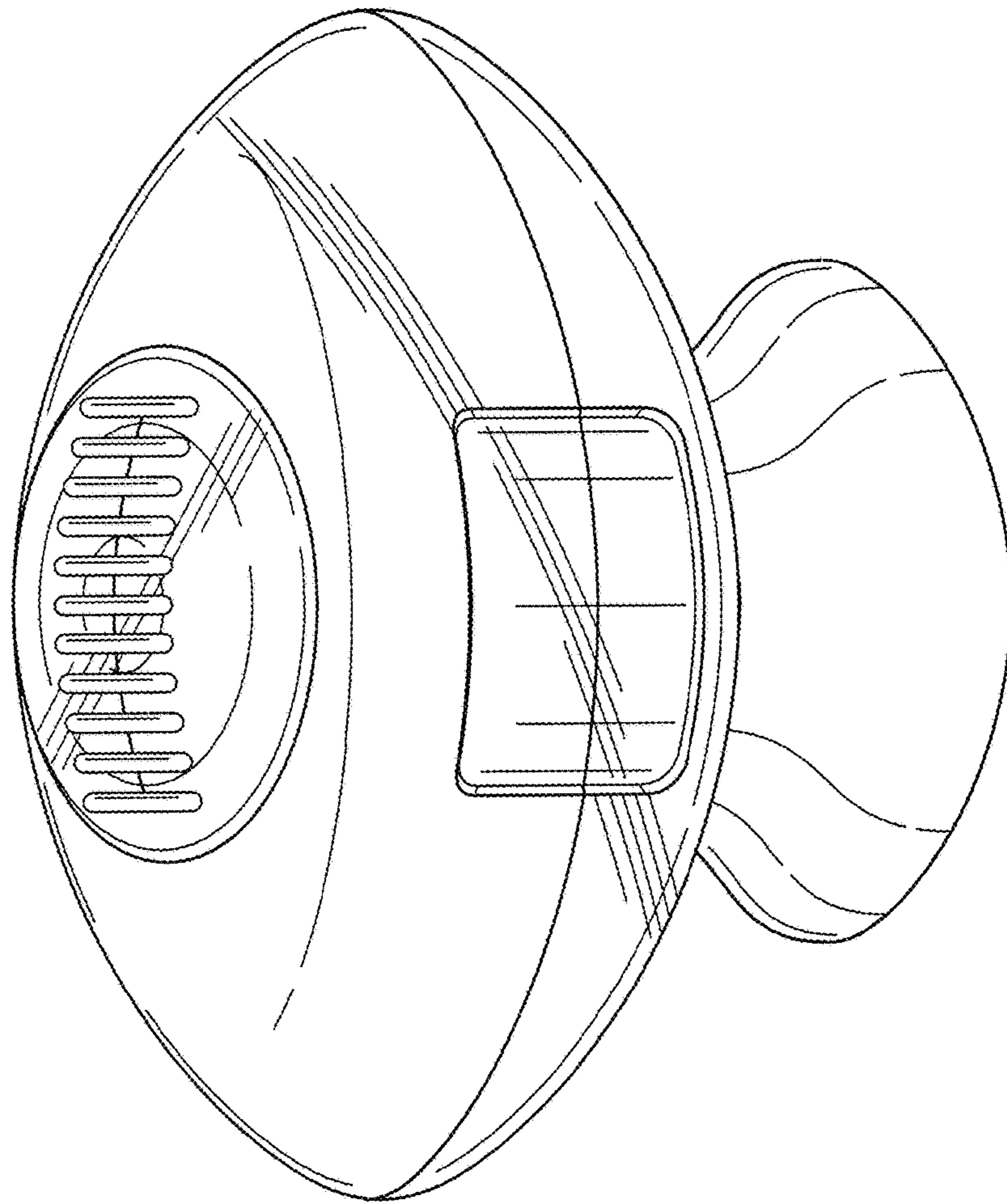


FIG. 1

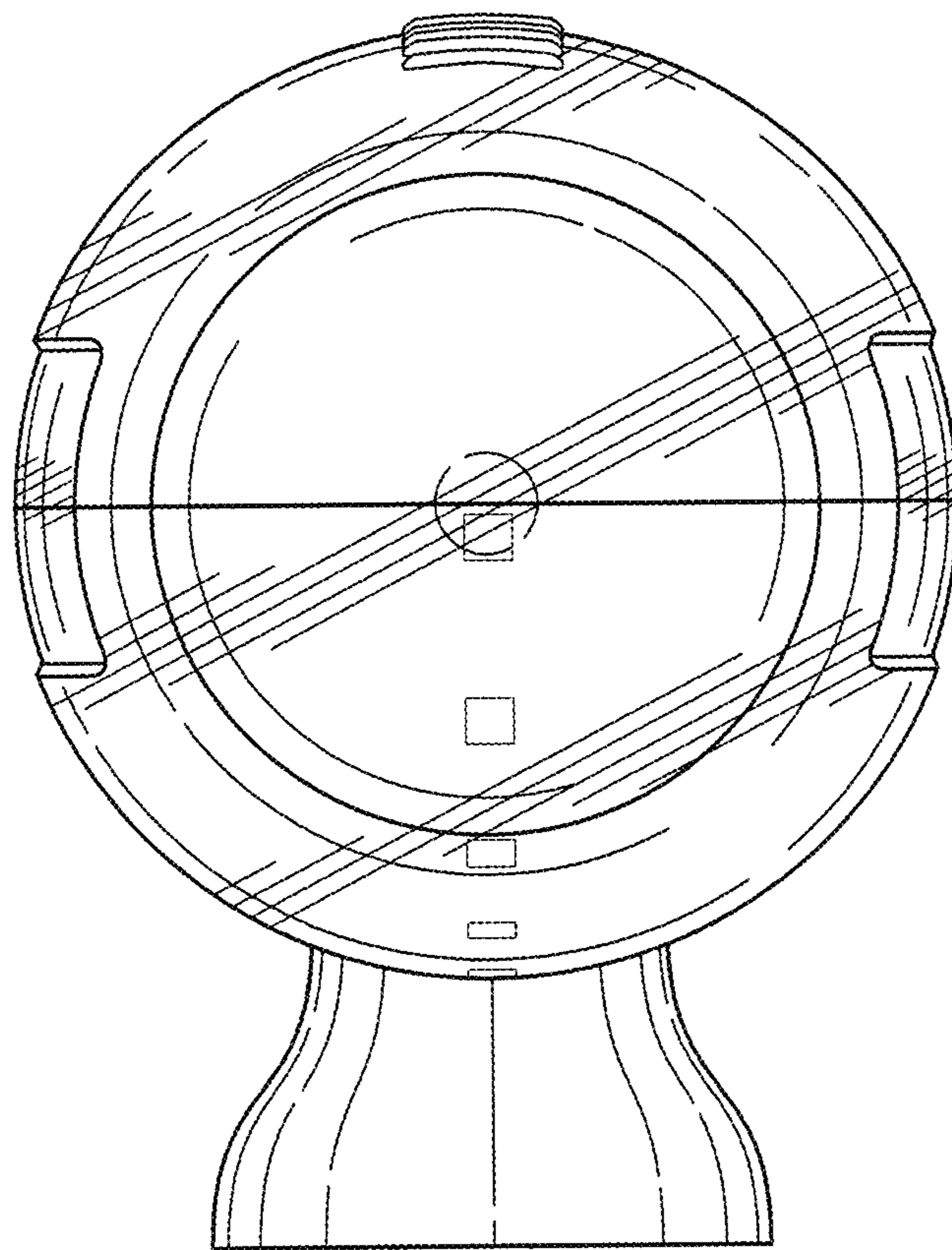


FIG. 2

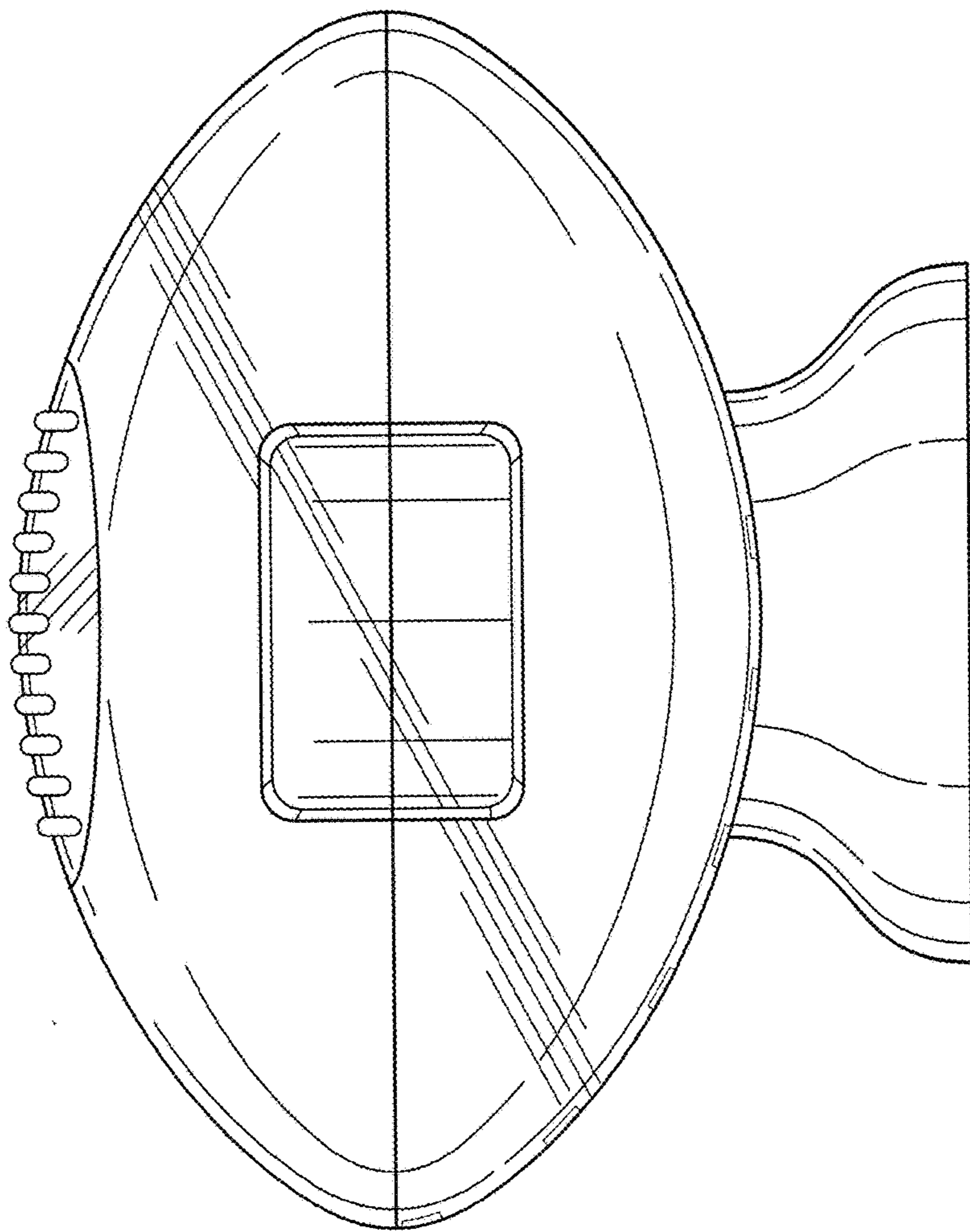


FIG. 3

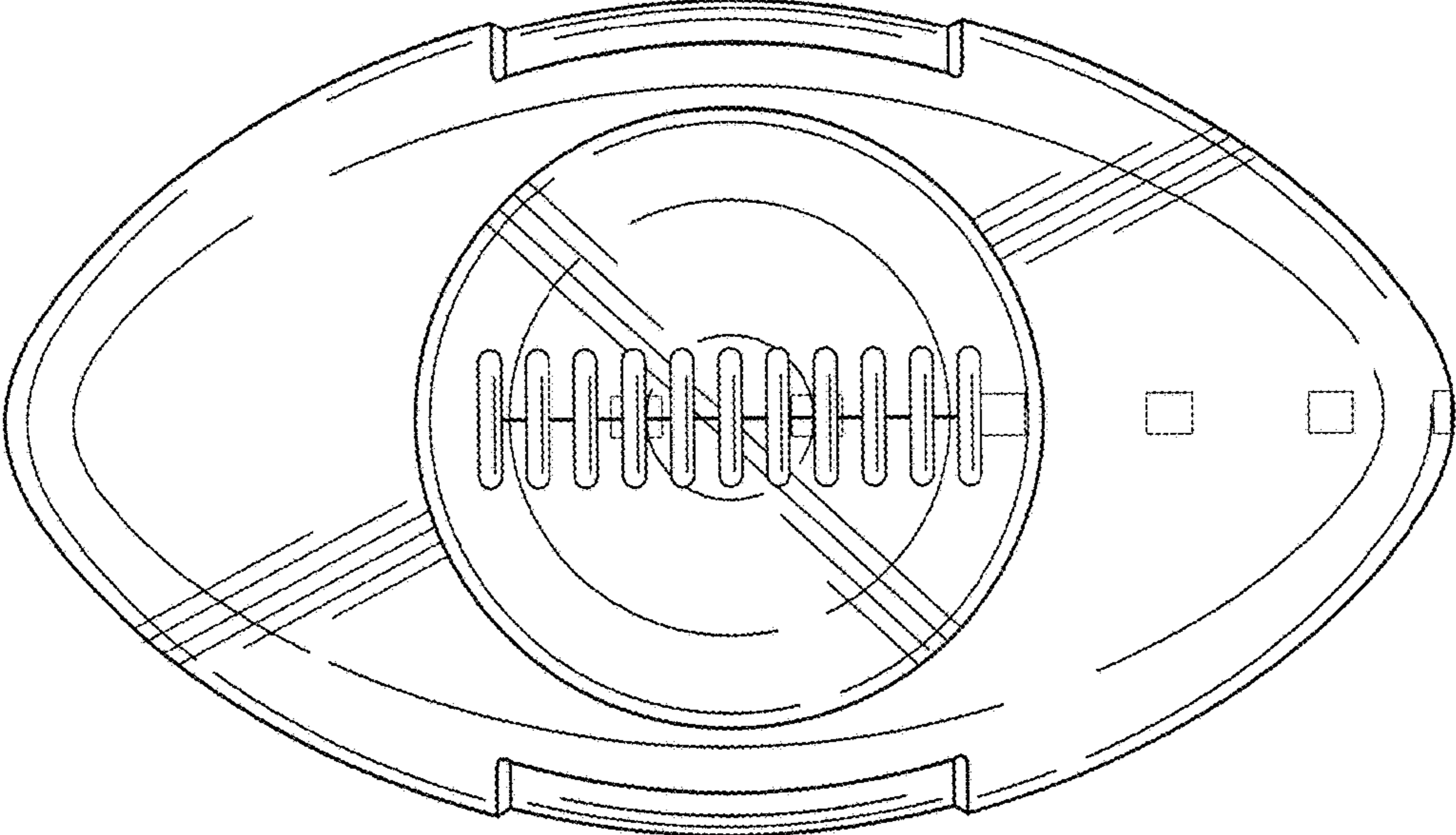


FIG. 4

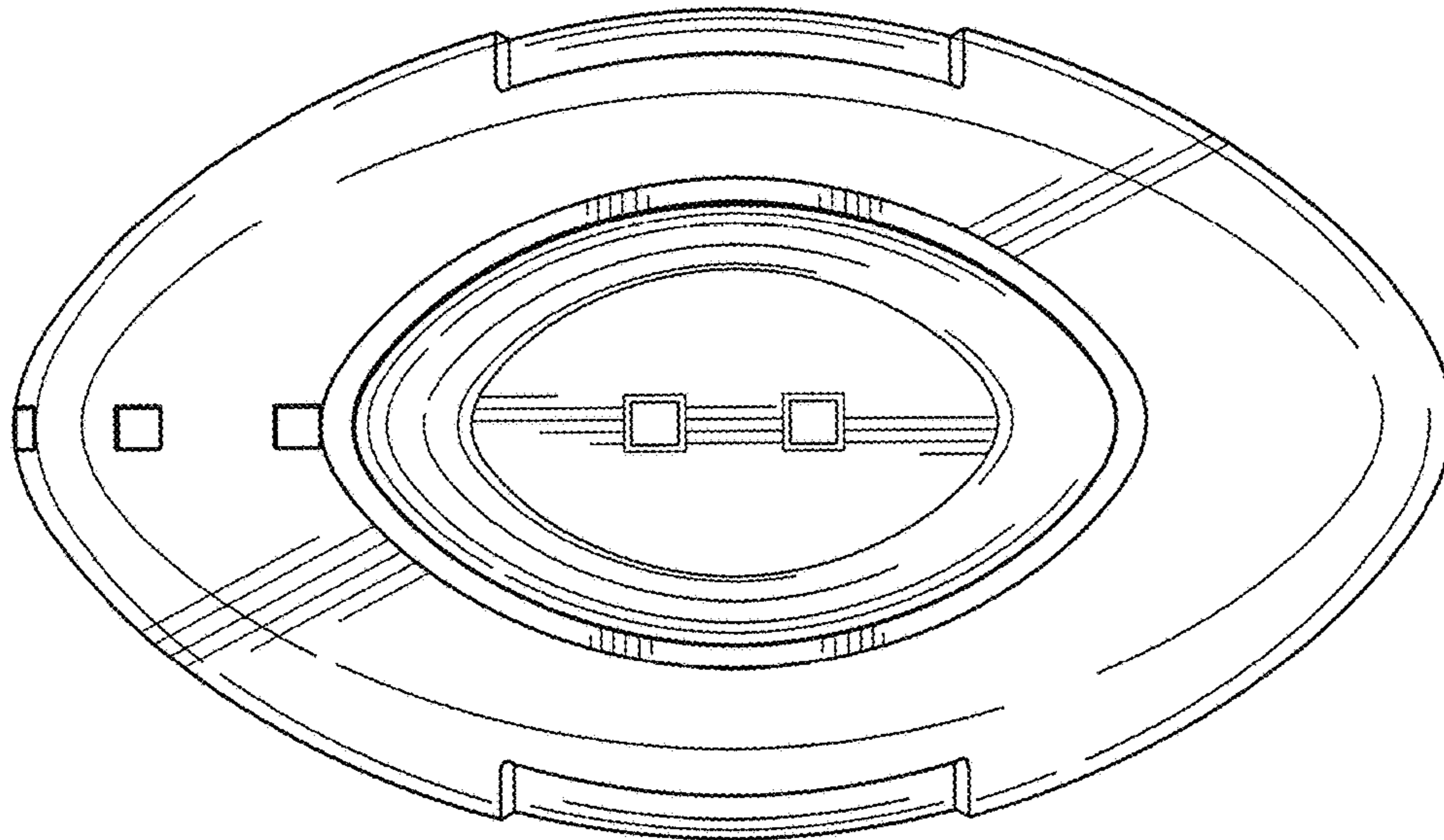


FIG. 5

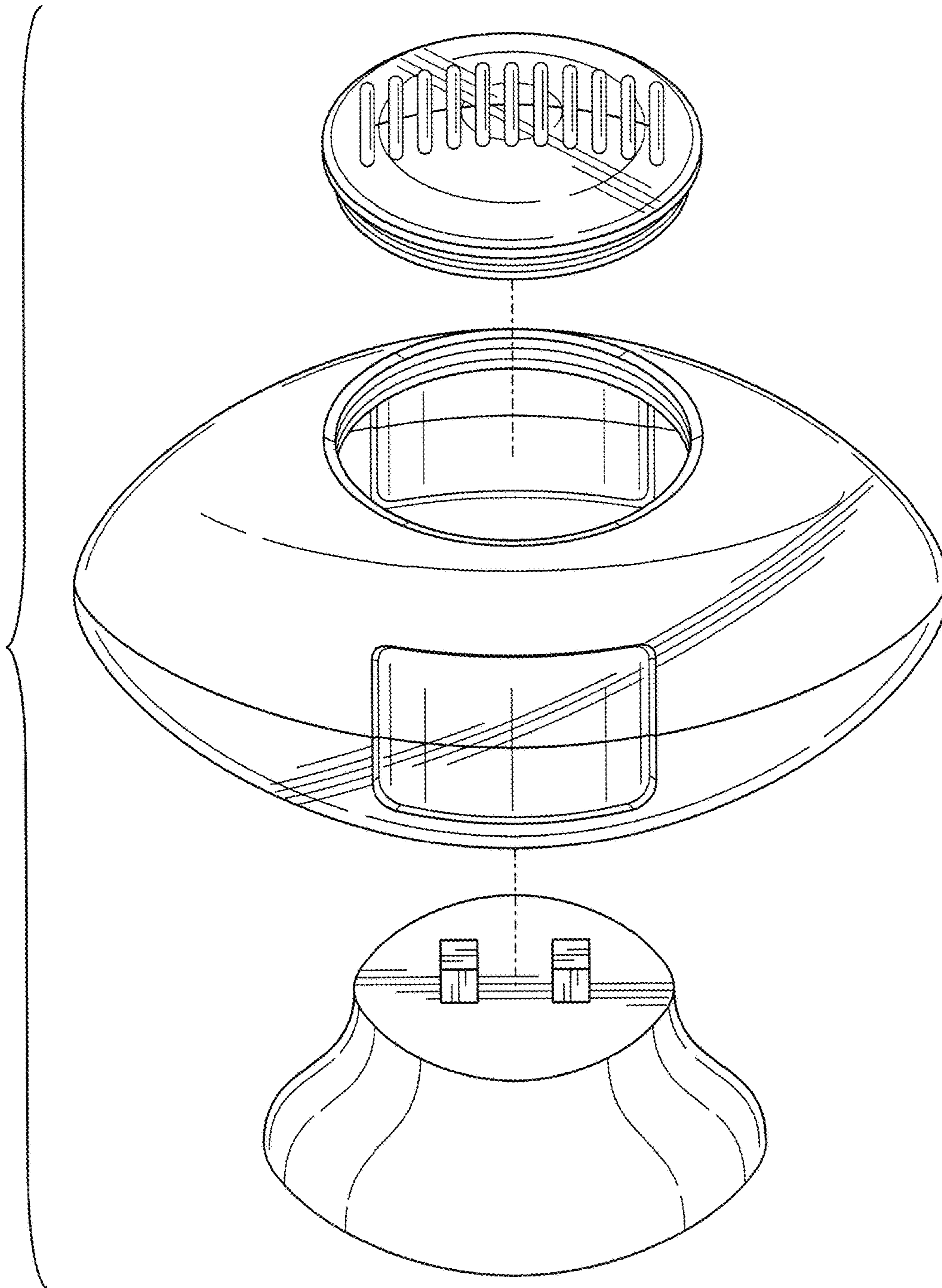


FIG. 6

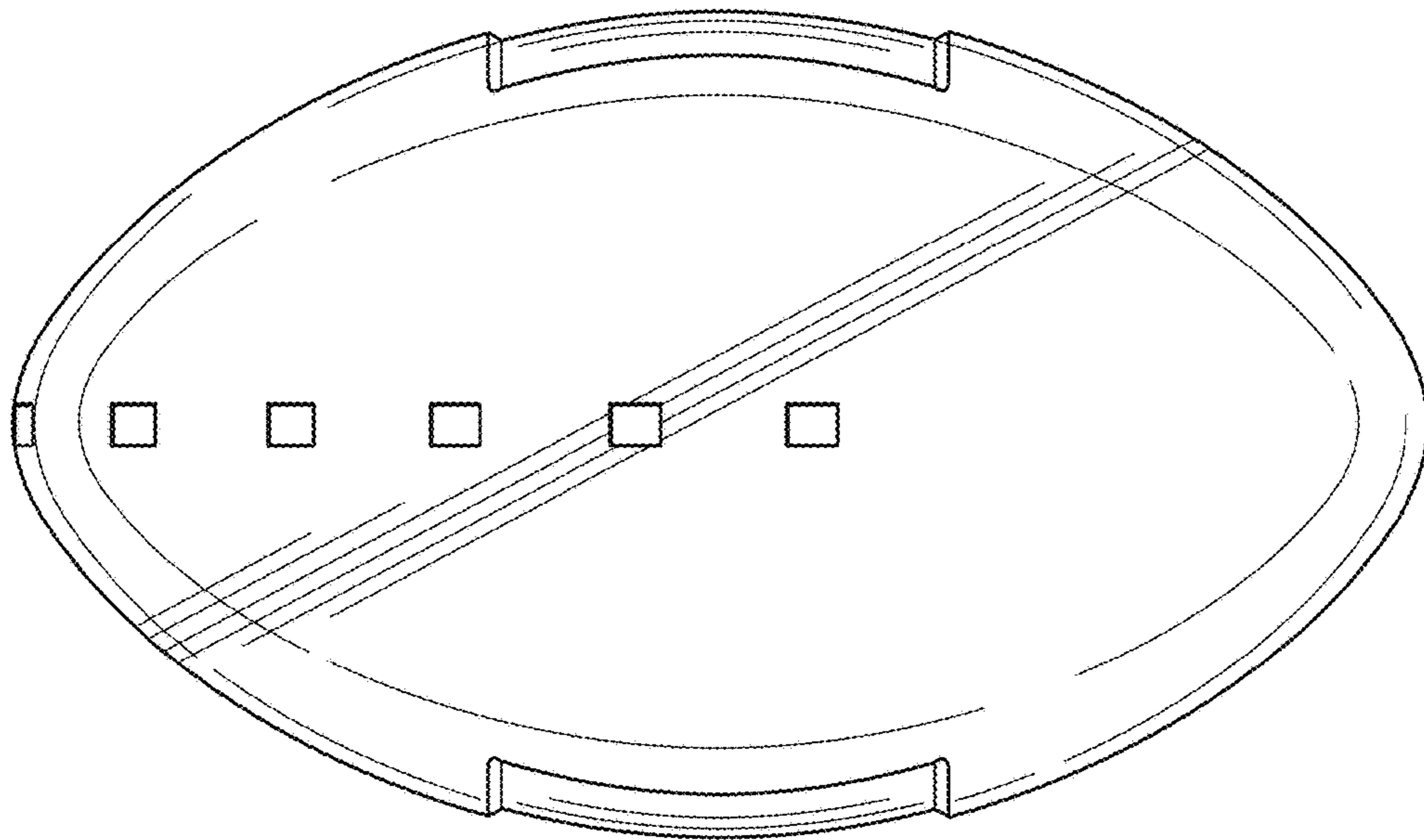


FIG. 7