



US00D800506S

(12) **United States Design Patent**
Wu

(10) **Patent No.:** **US D800,506 S**

(45) **Date of Patent:** **** Oct. 24, 2017**

(54) **BABY DRINKING CUP**

(71) Applicant: **Fan Wu**, Linyi (CN)

(72) Inventor: **Fan Wu**, Linyi (CN)

(**) Term: **15 Years**

(21) Appl. No.: **29/553,464**

(22) Filed: **Feb. 2, 2016**

(51) **LOC (10) Cl.** **07-01**

(52) **U.S. Cl.**
USPC **D7/534**; D7/532; D7/510

(58) **Field of Classification Search**
USPC D7/507, 509, 510, 511, 523, 529, 530,
D7/531, 532, 533, 534, 535, 536, 608,
D7/392.1, 396.2, 396.4, 387, 394, 515;
D9/434, 450; D10/46.2; D24/197, 199;
220/592.16, 592.17

CPC A47G 19/22; A47G 19/2205; A47G
19/2227; A47G 19/2266; A47G 19/2272;
A47G 21/18; A47F 3/16; B65D 47/066

See application file for complete search history.

(56) **References Cited**

U.S. PATENT DOCUMENTS

- 5,150,815 A * 9/1992 Saklad A47G 19/2227
215/12.1
- 5,361,934 A * 11/1994 Spence, Jr. A47G 19/2266
215/388
- D450,223 S * 11/2001 J.o slashed.rgensen D7/608
- 6,513,379 B2 * 2/2003 Meyers A47G 19/2227
215/11.2
- 6,527,137 B1 * 3/2003 Kleckauskas A47G 19/2266
215/388
- D482,571 S * 11/2003 Leinenweber D7/509
- D642,867 S * 8/2011 Miller D24/197
- D672,610 S * 12/2012 Park D7/510

- D675,877 S * 2/2013 Thomas D7/510
- D676,709 S * 2/2013 Thomas D7/510
- 8,608,016 B2 * 12/2013 Chiu A47G 21/18
220/705
- D713,687 S * 9/2014 Lv D7/510
- D717,116 S * 11/2014 Aslan D24/197
- D727,684 S * 4/2015 Forsyth D7/510
- D730,697 S * 6/2015 Johnson D7/510
- D741,658 S * 10/2015 Dunn A47G 19/2272
D7/510
- D748,434 S * 2/2016 Thalmann D7/510
- D750,439 S * 3/2016 Saxton D7/509
- D758,137 S * 6/2016 Soltz D7/608
- D763,624 S * 8/2016 Parker D7/510
- 2011/0278315 A1 * 11/2011 Bower A47G 19/2272
220/703
- 2013/0146593 A1 * 6/2013 Forsyth A47G 19/2272
220/23.91
- 2014/0166679 A1 * 6/2014 Arai A47G 19/2266
220/705
- 2017/0027350 A1 * 2/2017 Onza B65D 51/18

* cited by examiner

Primary Examiner — Marianne Pandozzi

Assistant Examiner — Jae Liang

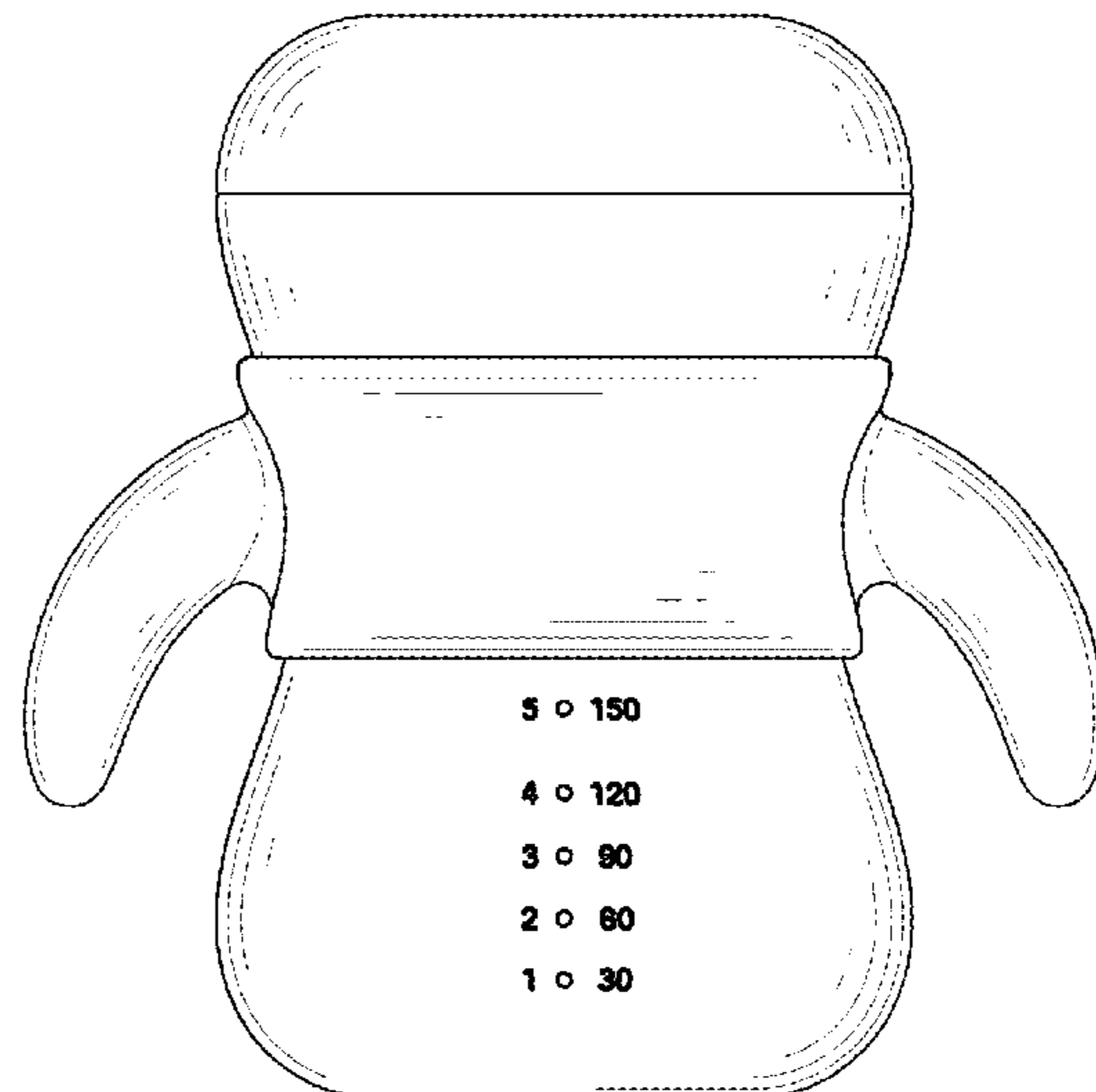
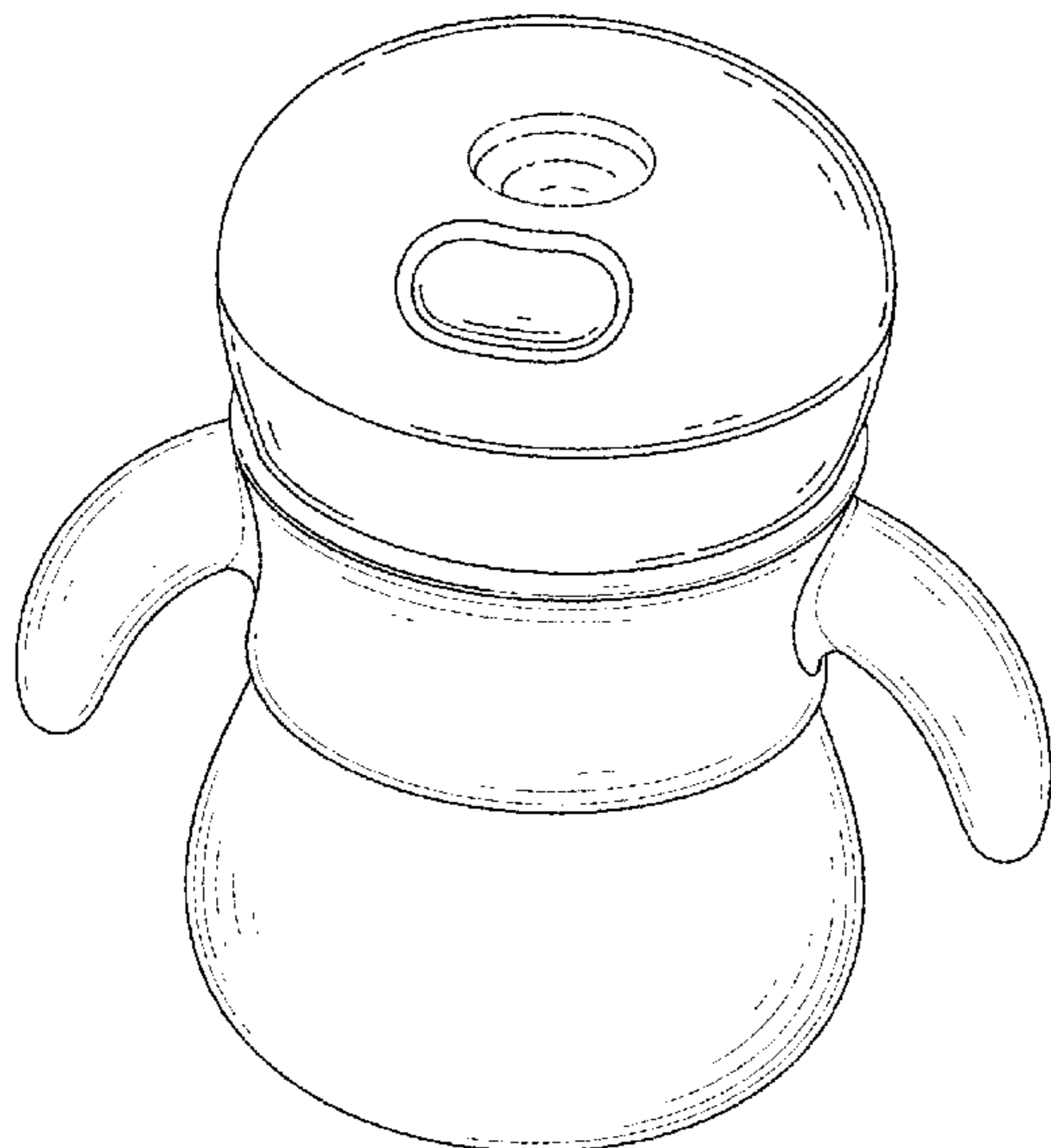
(57) **CLAIM**

I claim the ornamental design for a baby drinking cup, as shown and described.

DESCRIPTION

FIG. 1 is a perspective view of the baby drinking cup showing my new design;
FIG. 2 is a front elevational view thereof;
FIG. 3 is a rear elevational view thereof;
FIG. 4 is a left side elevational view thereof;
FIG. 5 is a right side elevational view thereof;
FIG. 6 is a top plan view thereof; and,
FIG. 7 is a bottom plan view thereof.

1 Claim, 7 Drawing Sheets



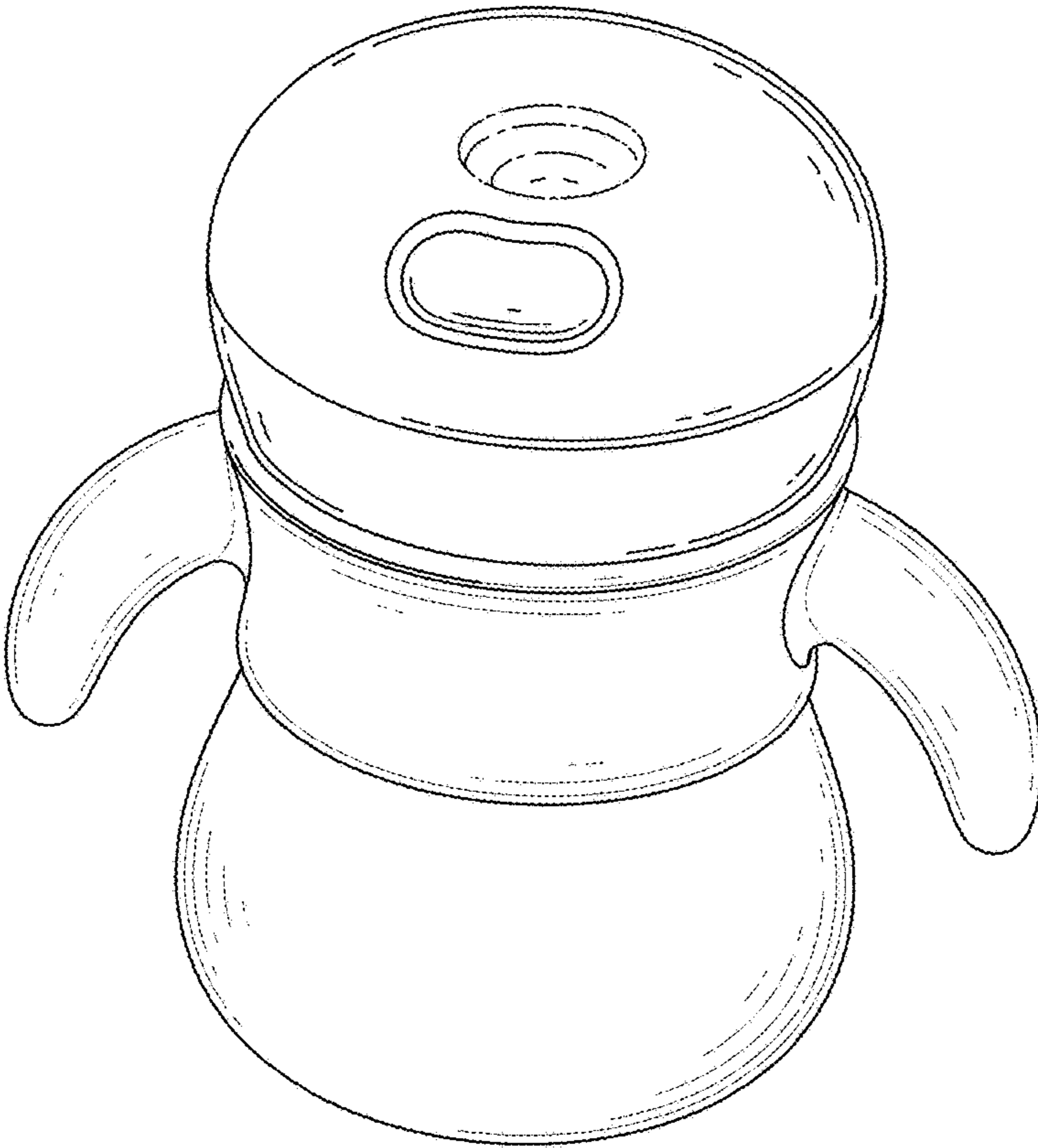


FIG. 1

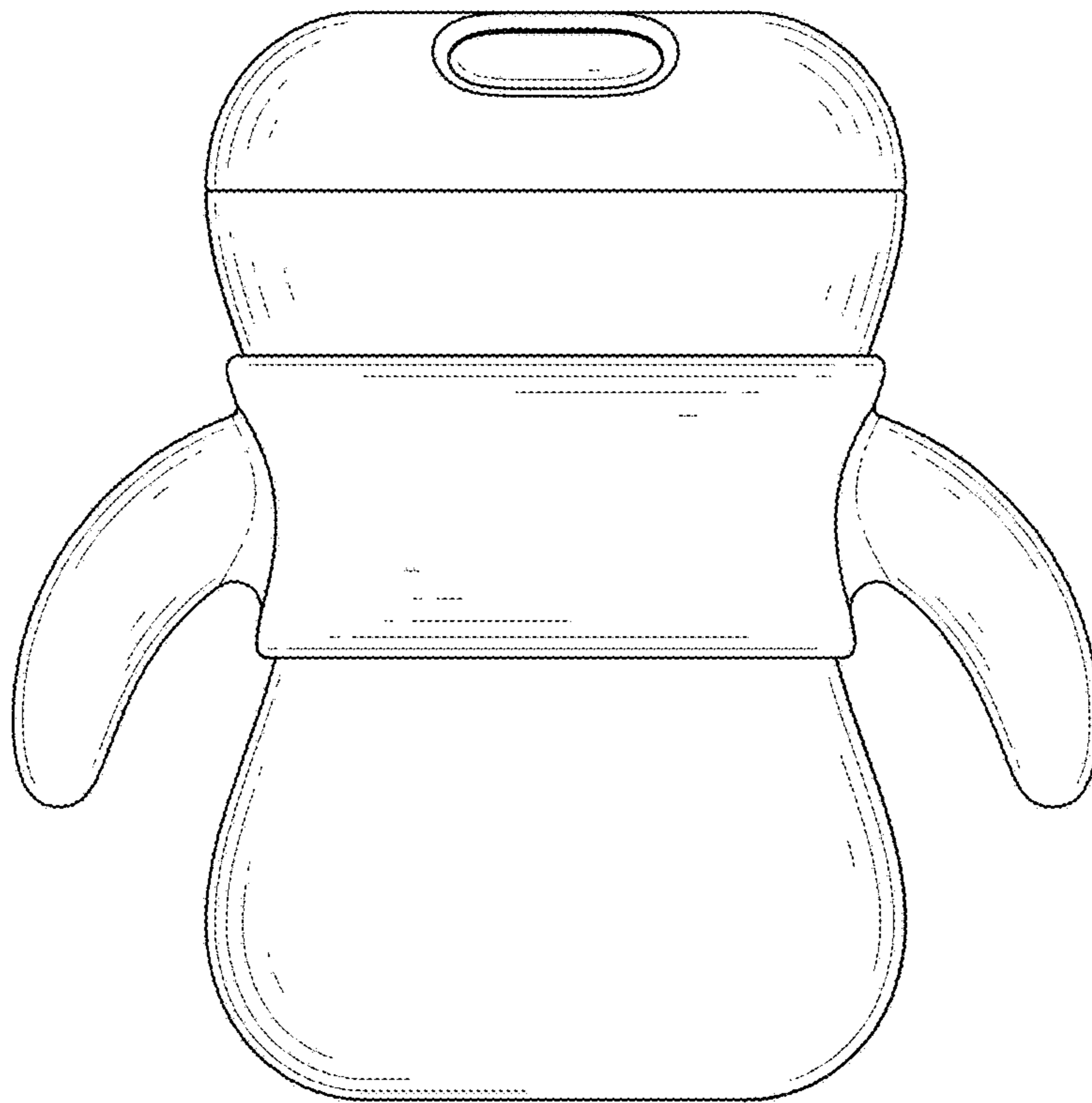


FIG. 2

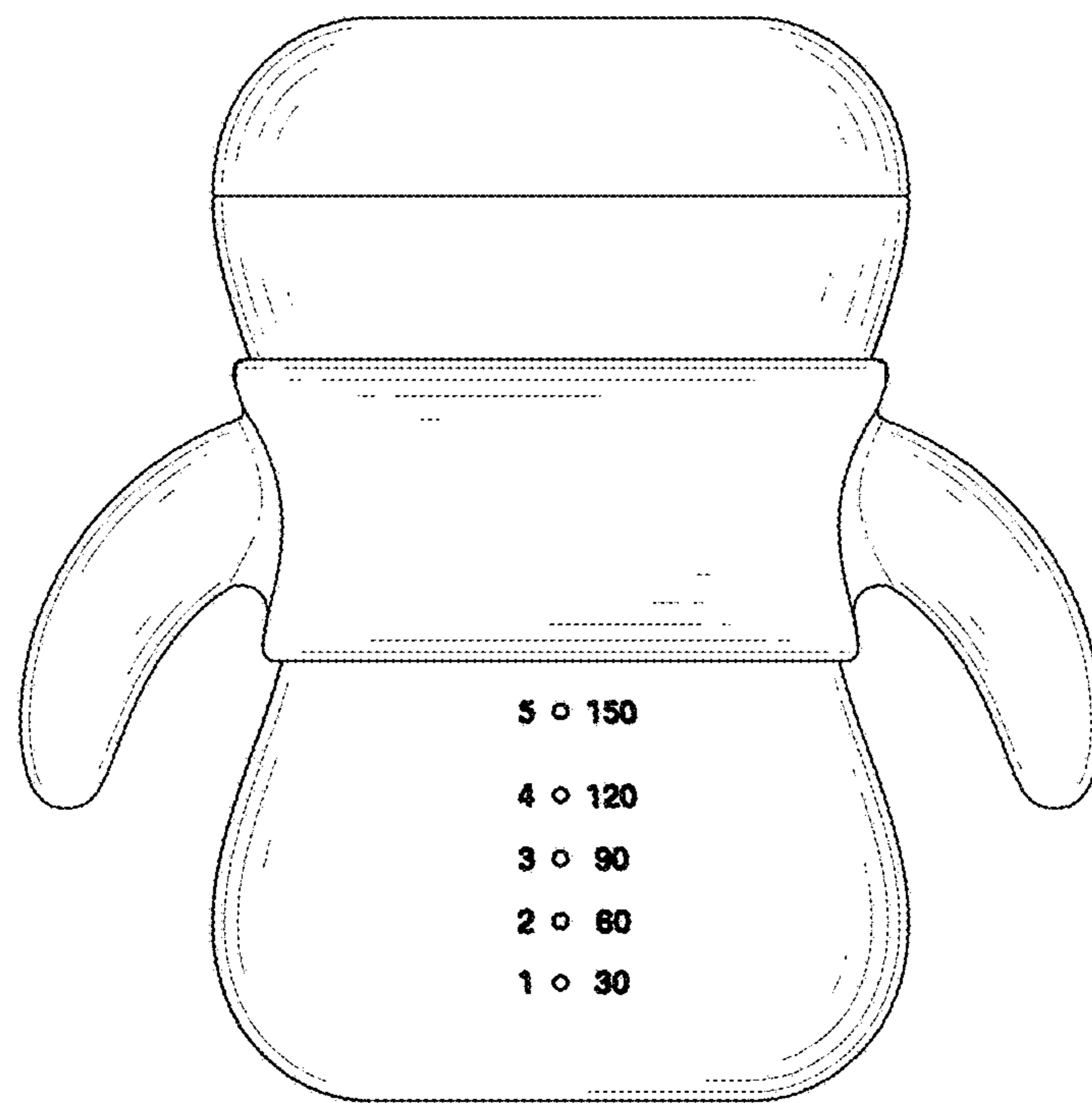


FIG. 3

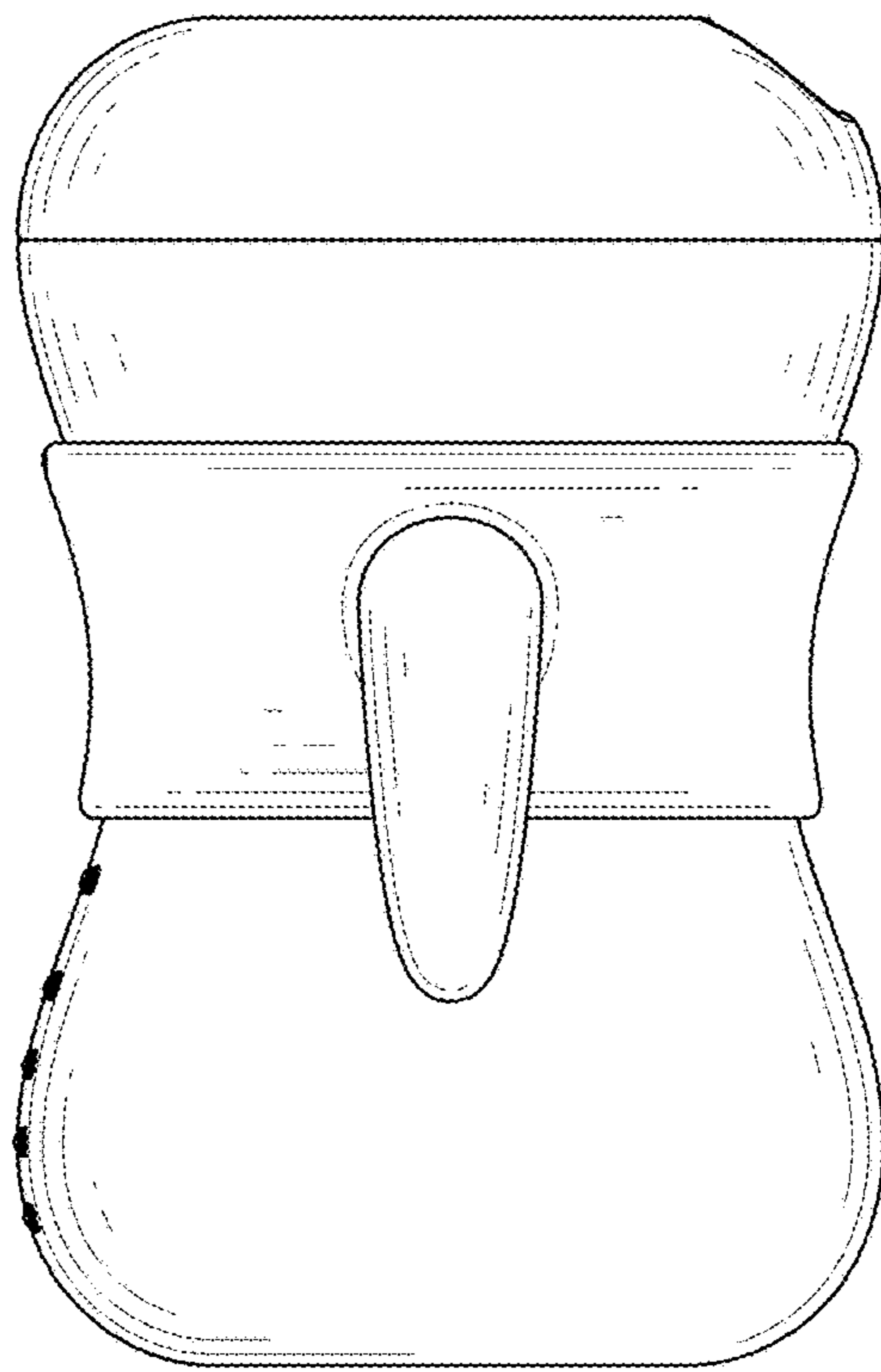


FIG. 4

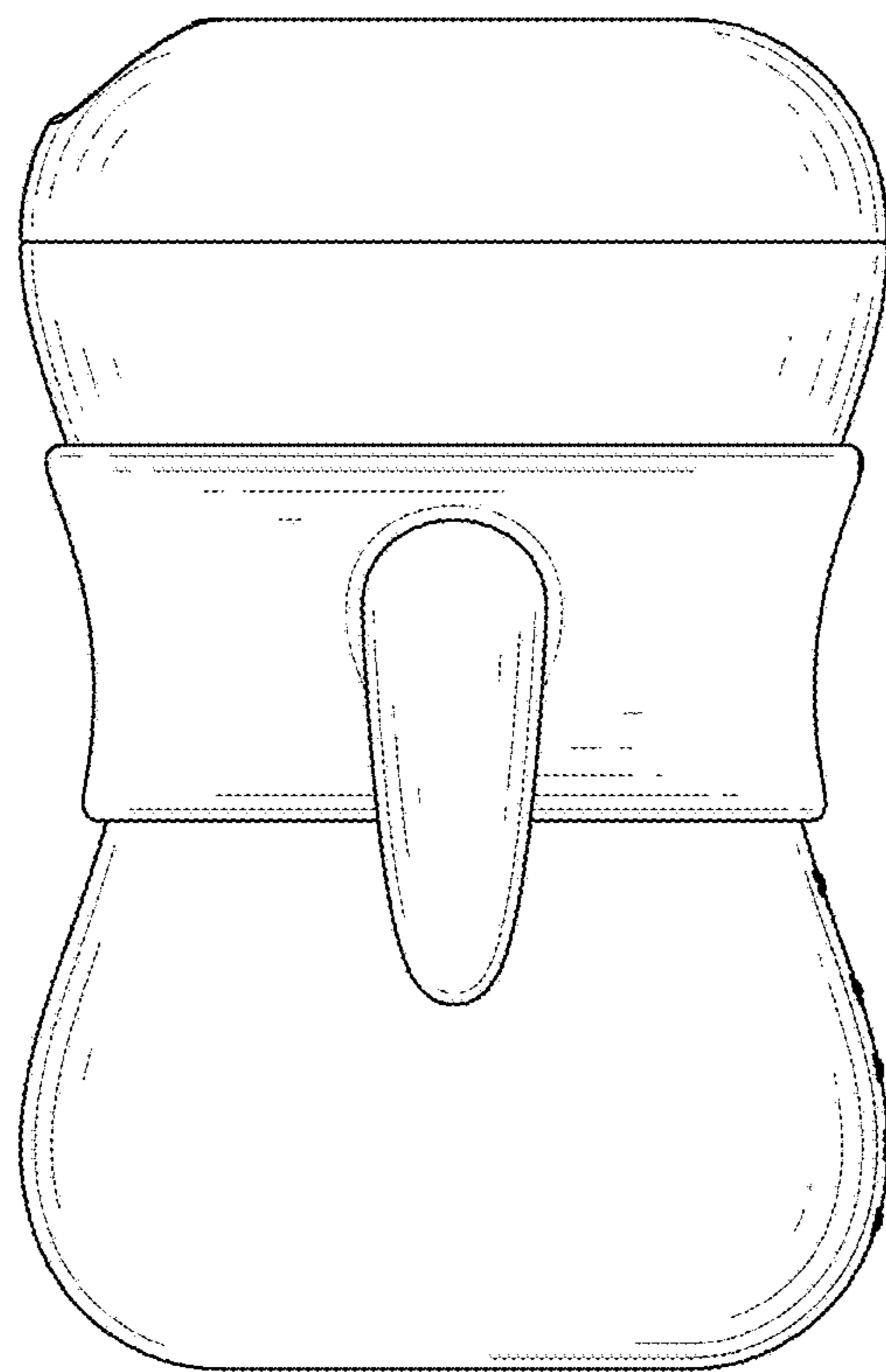


FIG. 5

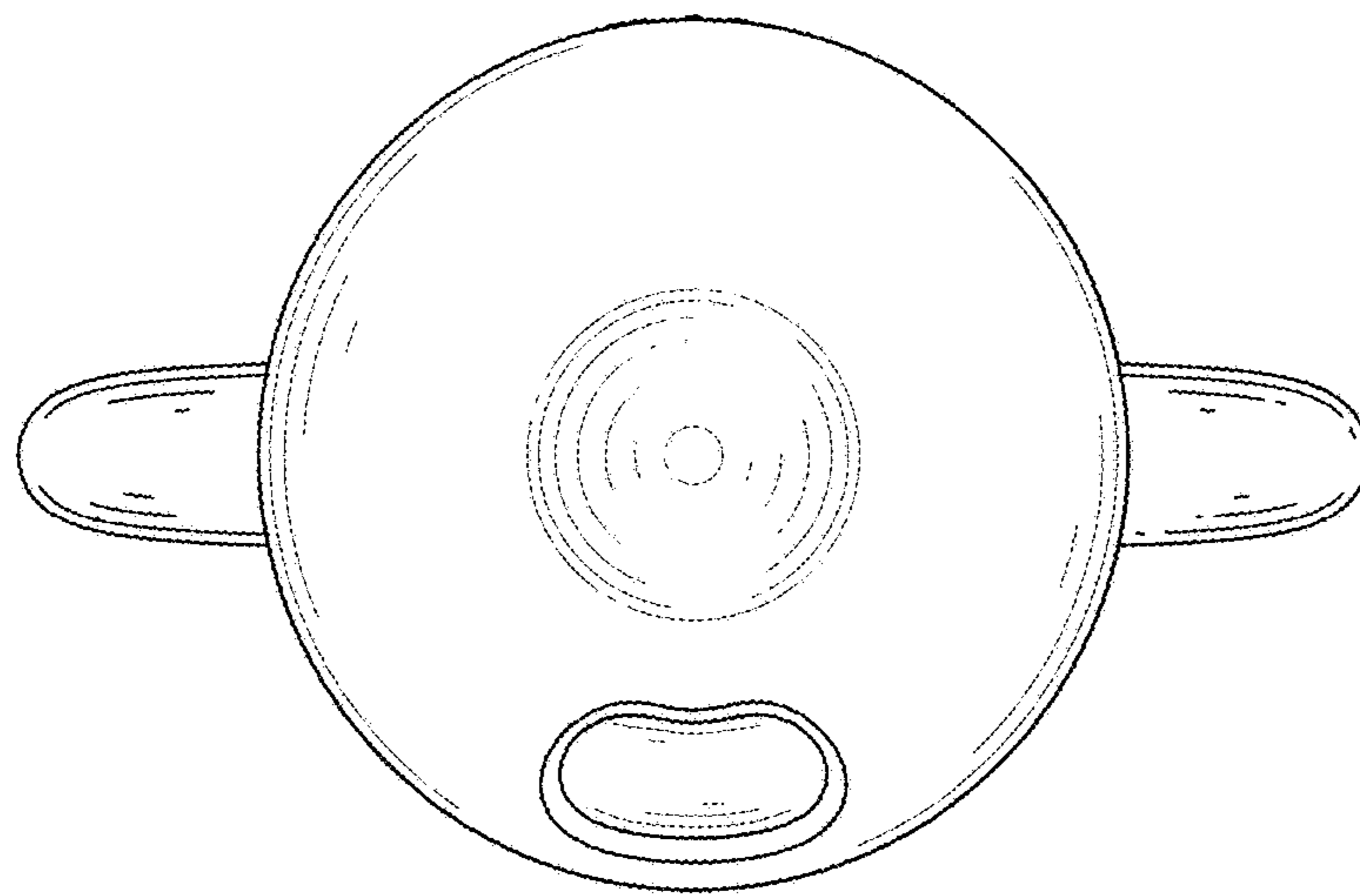


FIG. 6

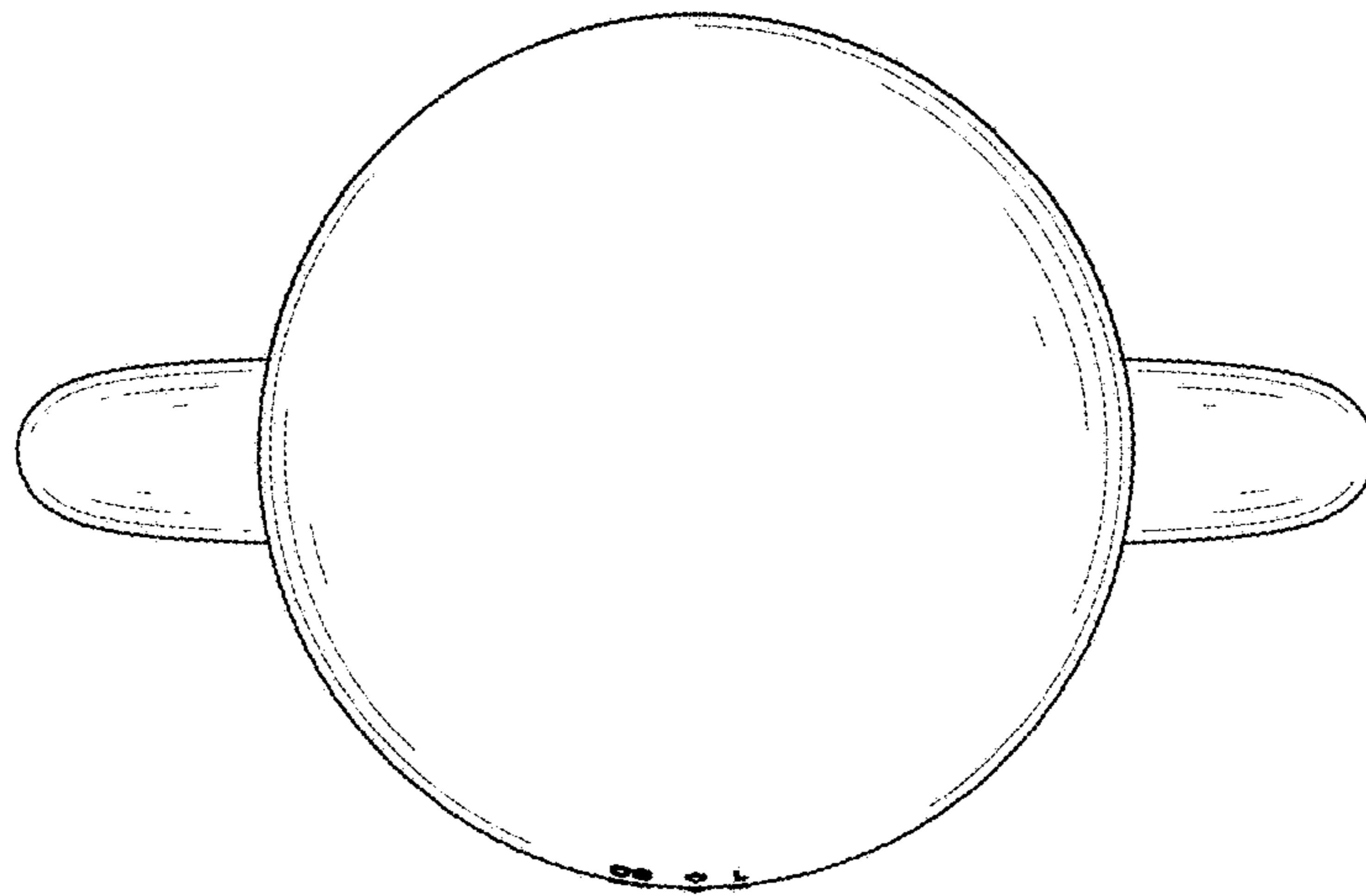


FIG. 7