



US00D800505S

(12) **United States Design Patent** (10) **Patent No.:** **US D800,505 S**
Bowen et al. (45) **Date of Patent:** **** *Oct. 24, 2017**

(54) **DRINKING VESSEL**

(71) Applicants: **Troy Bowen**, Denver, CO (US); **Brian Curry**, Denver, CO (US)

(72) Inventors: **Troy Bowen**, Denver, CO (US); **Brian Curry**, Denver, CO (US)

(*) Notice: This patent is subject to a terminal disclaimer.

(**) Term: **14 Years**

(21) Appl. No.: **29/491,191**

(22) Filed: **May 19, 2014**

(51) **LOC (10) Cl.** **07-01**

(52) **U.S. Cl.**

USPC **D7/534**; D23/225

(58) **Field of Classification Search**

USPC D7/509, 507, 510, 514, 511, 519, 523, D7/525-533, 536, 515; D6/515; D9/449, D9/450; 239/302, 379, 526, 345, 346, 239/373

CPC B05B 7/2408; B05B 7/2478

See application file for complete search history.

(56) **References Cited**

U.S. PATENT DOCUMENTS

D350,873 S * 9/1994 Duffy D7/509
6,536,684 B1 * 3/2003 Wei B05B 7/2478
239/302

D554,741 S * 11/2007 Peterson D23/225
D757,216 S * 5/2016 Gehrung D23/225
2004/0251269 A1 * 12/2004 Gosis B05B 7/2408
222/1
2007/0034717 A1 * 2/2007 Finley B05B 7/2478
239/302

* cited by examiner

Primary Examiner — Daniel Bui

Assistant Examiner — Andrew Kerr

(74) *Attorney, Agent, or Firm* — Ronald C. Gorsche
PLLC

(57) **CLAIM**

The ornamental design for a drinking vessel, as shown and described.

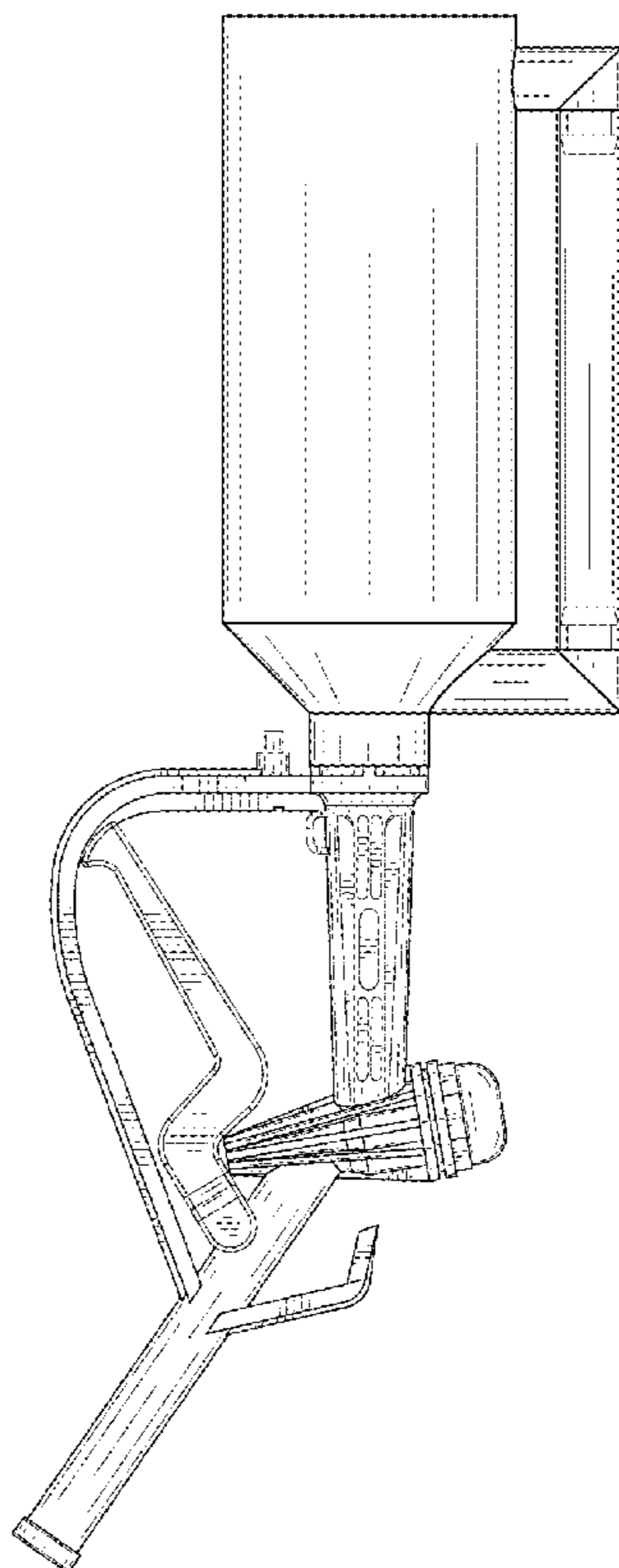
DESCRIPTION

FIG. 1 is a front view of a drinking vessel showing our new ornamental design;

FIG. 2 is a front perspective view thereof; and,

FIG. 3 is a front perspective view thereof, in an alternative position.

1 Claim, 3 Drawing Sheets



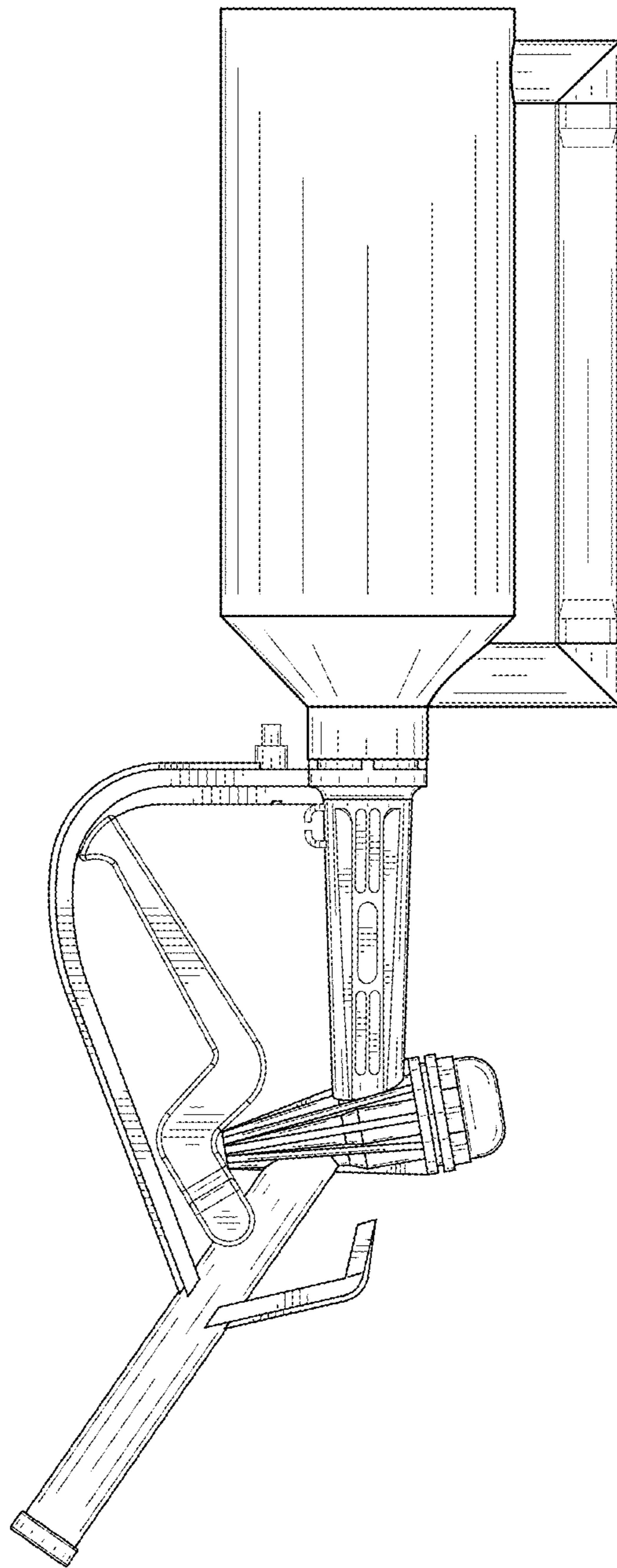


FIG. 1

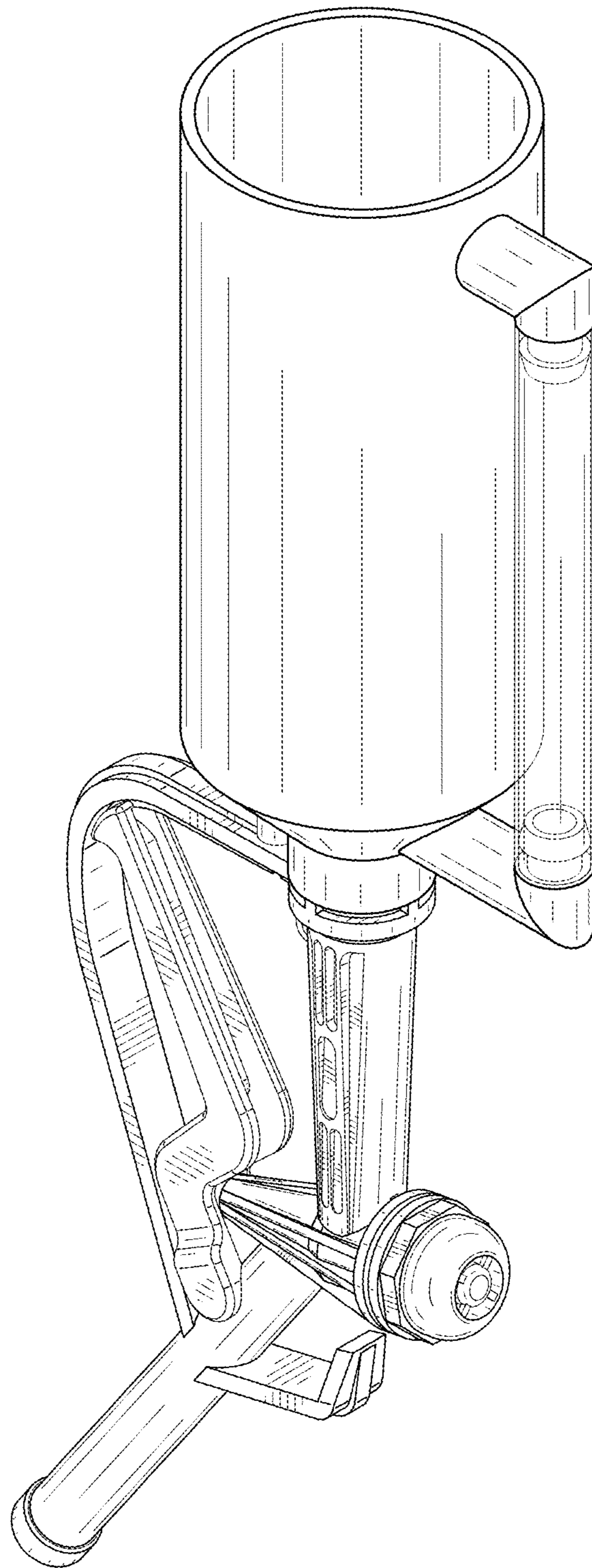


FIG. 2

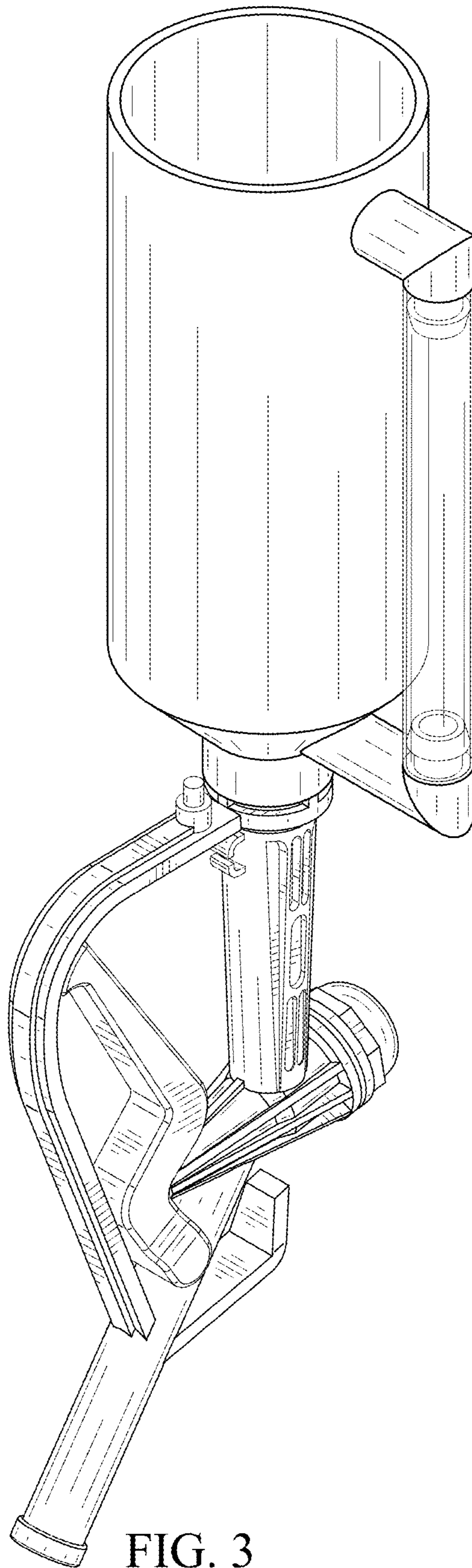


FIG. 3