



US00D800504S

(12) **United States Design Patent** (10) **Patent No.:** **US D800,504 S**  
**Di Giuseppantonio** (45) **Date of Patent:** **\*\* Oct. 24, 2017**

(54) **GOBLET**  
(71) Applicant: **BORMIOLI LUIGI S.p.A.**, Parma (IT)  
(72) Inventor: **Vincenzo Di Giuseppantonio**, Fidenza (IT)  
(73) Assignee: **BORMIOLI LUIGI S.P.A.**, Parma (IT)  
(\*\*) Term: **15 Years**  
(21) Appl. No.: **29/557,175**  
(22) Filed: **Mar. 7, 2016**  
(30) **Foreign Application Priority Data**

Sep. 8, 2015 (EM) ..... 002768077  
(51) **LOC (10) Cl.** ..... **07-01**  
(52) **U.S. Cl.**  
USPC ..... **D7/524; D7/537**  
(58) **Field of Classification Search**  
USPC ..... D7/507, 509, 524-528, 537, 300.2, 700;  
D27/118, 163; 220/592.16, 592.17, 628,  
220/669; D9/712  
CPC . B41P 2217/61; A47G 19/22; A47G 19/2205;  
A47G 23/03; A47G 19/12  
See application file for complete search history.

(56) **References Cited**  
U.S. PATENT DOCUMENTS  
D44,204 S \* 6/1913 Hunter ..... D7/524  
D44,661 S \* 9/1913 Hunter ..... D7/524

D369,520 S \* 5/1996 Harrison ..... D7/524  
D370,155 S \* 5/1996 Harrison ..... D7/524  
D760,028 S \* 6/2016 Di Giuseppantonio ..... D7/524

**OTHER PUBLICATIONS**

Riedel wine glass guide—Veritas year 2014.\*

\* cited by examiner

*Primary Examiner* — Marianne Pandozzi

*Assistant Examiner* — Jae Liang

(74) *Attorney, Agent, or Firm* — Hedman & Costigan, P.C.; James V. Costigan; Kathleen A. Costigan

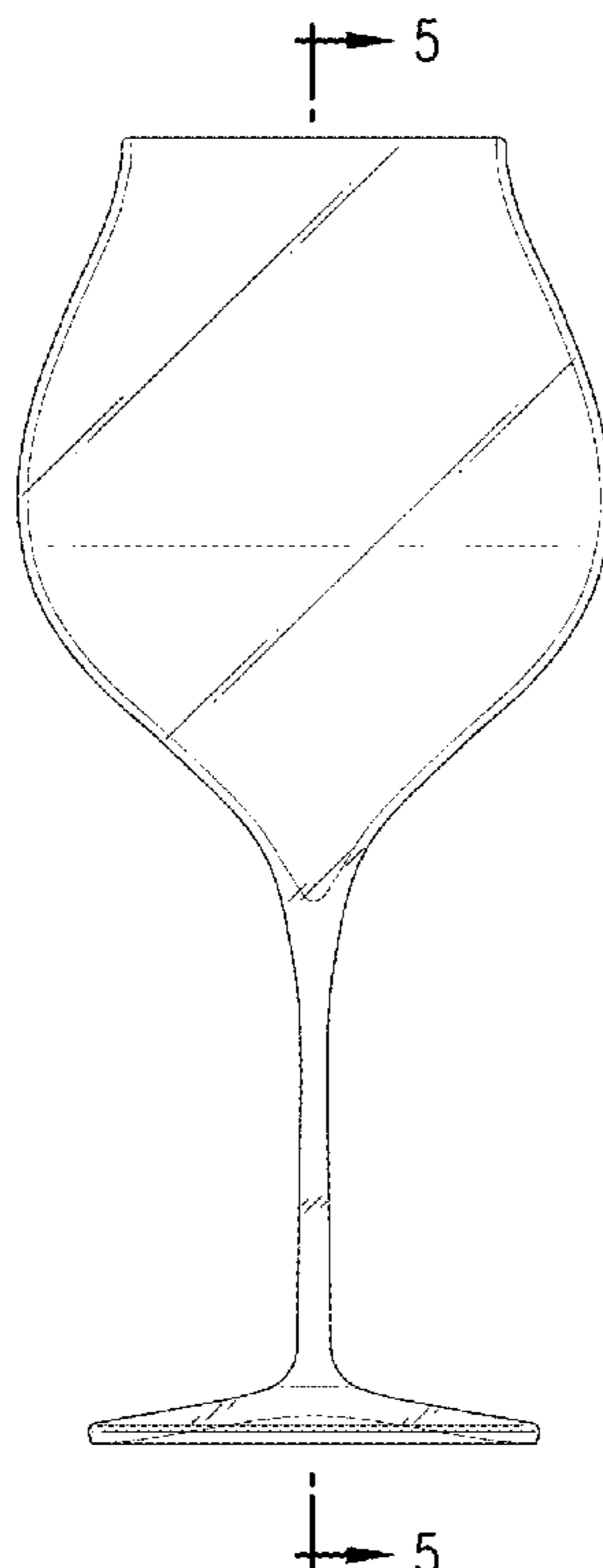
(57) **CLAIM**

I claim the ornamental design for a goblet, as shown and described.

**DESCRIPTION**

FIG. 1 is a perspective view of a goblet showing my new design;  
FIG. 2 is a front elevational view thereof; the rear, right side, and left side elevational views being a mirror image thereof;  
FIG. 3 is a top plan view thereof;  
FIG. 4 is a bottom plan view thereof; and,  
FIG. 5 is a cross section view showing a section taken along line 5-5 of FIG. 2.

**1 Claim, 4 Drawing Sheets**



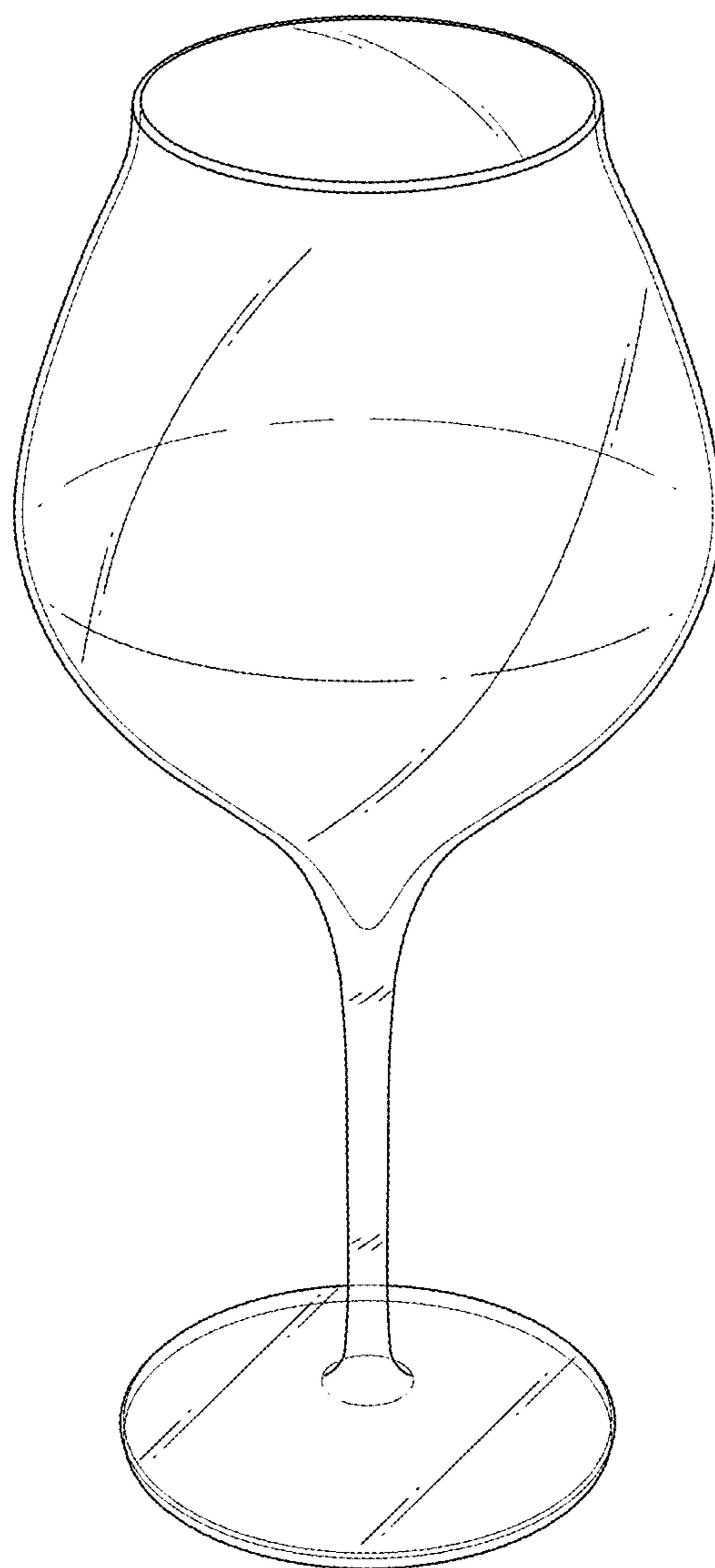


FIG. 1

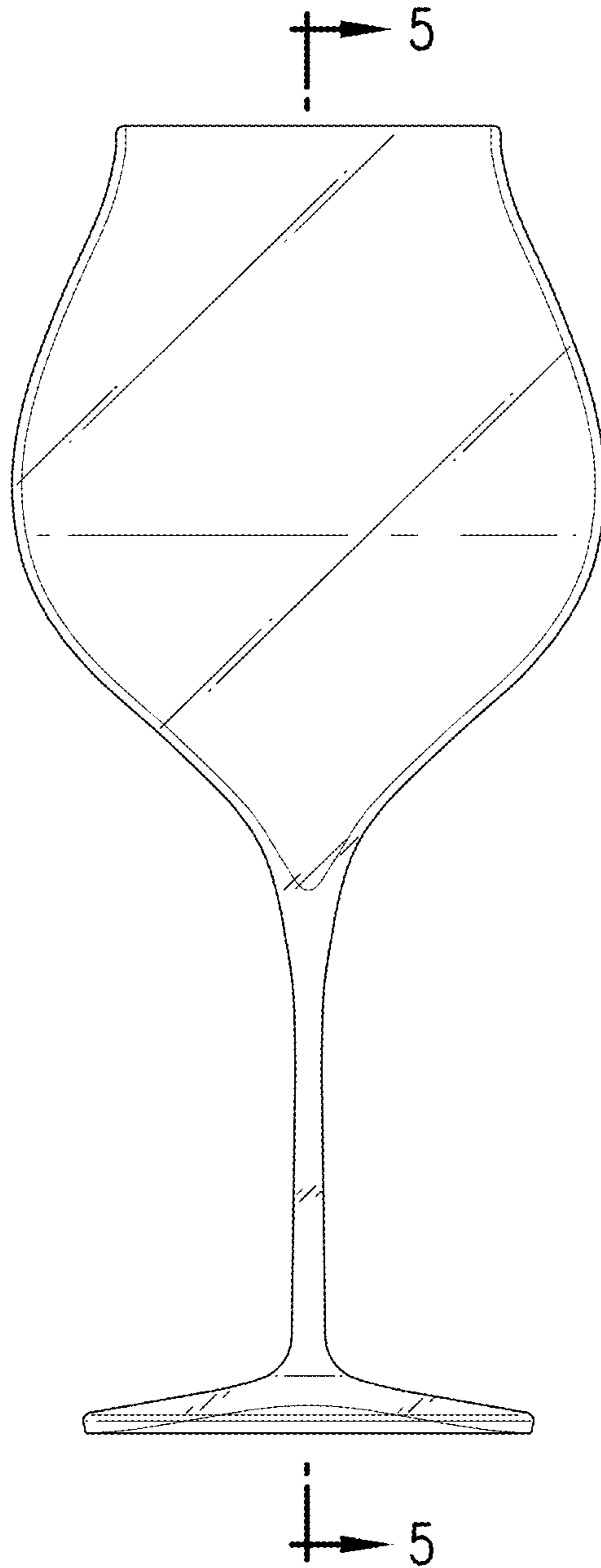


FIG.2

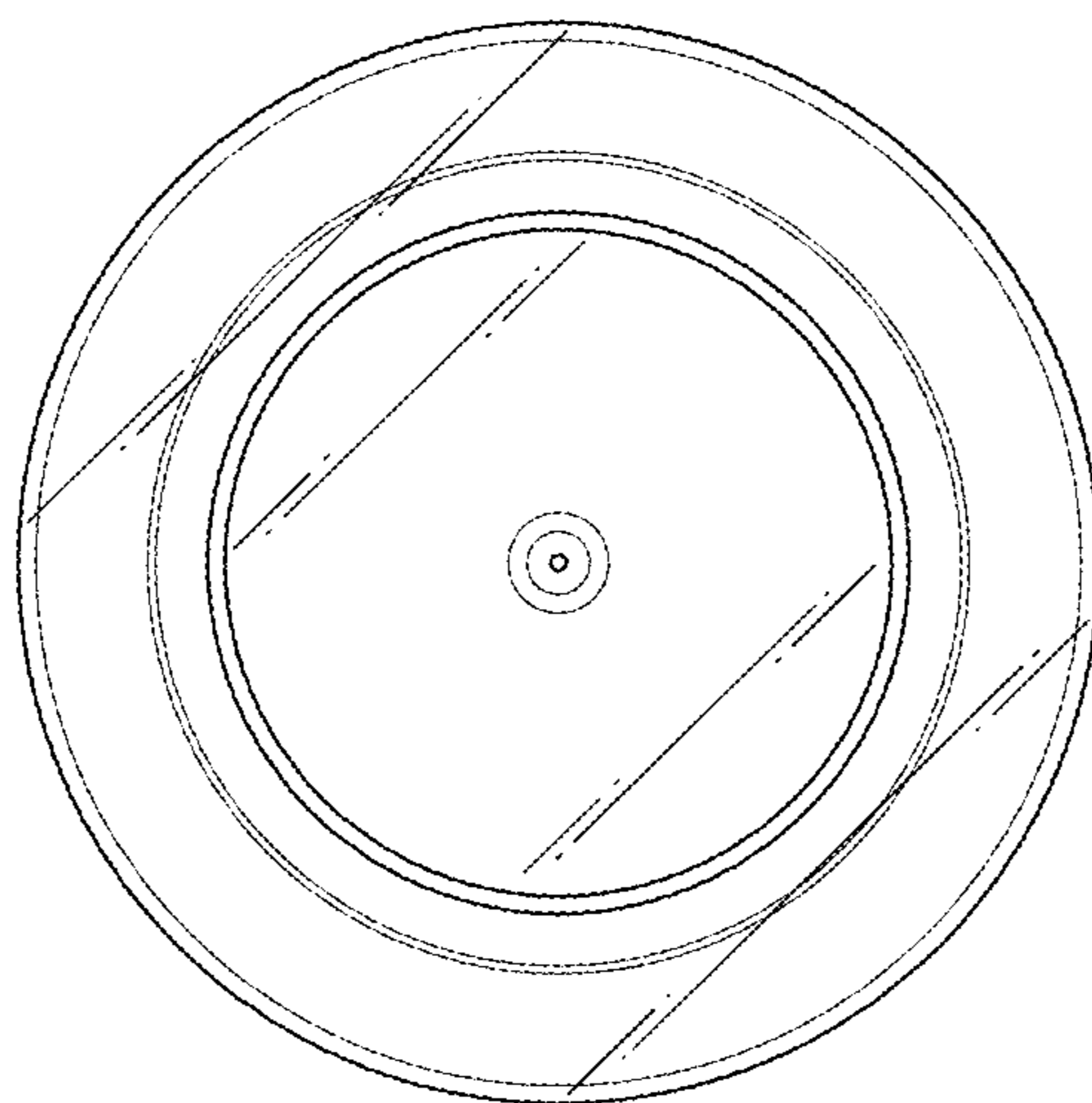


FIG. 3

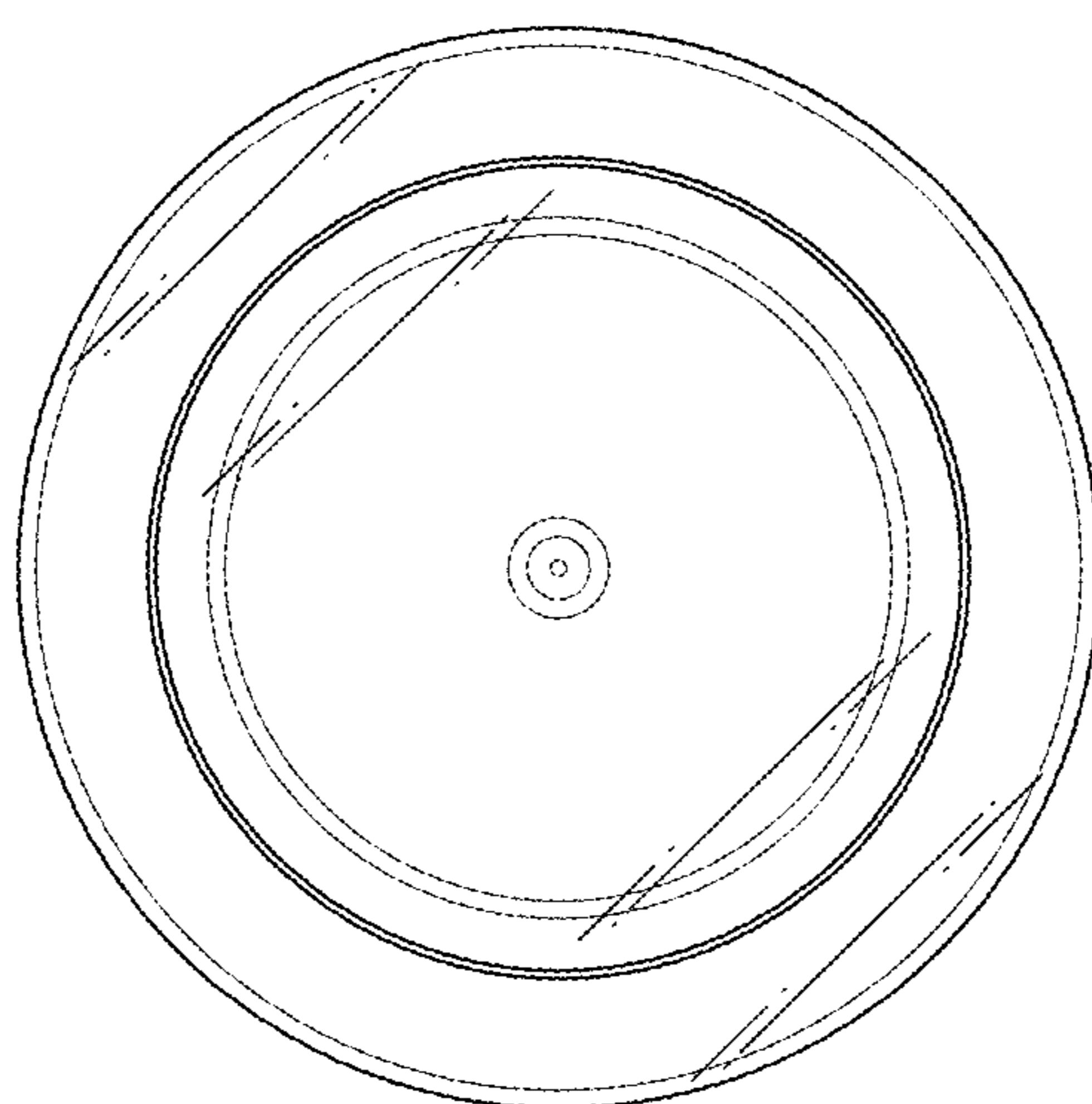


FIG. 4

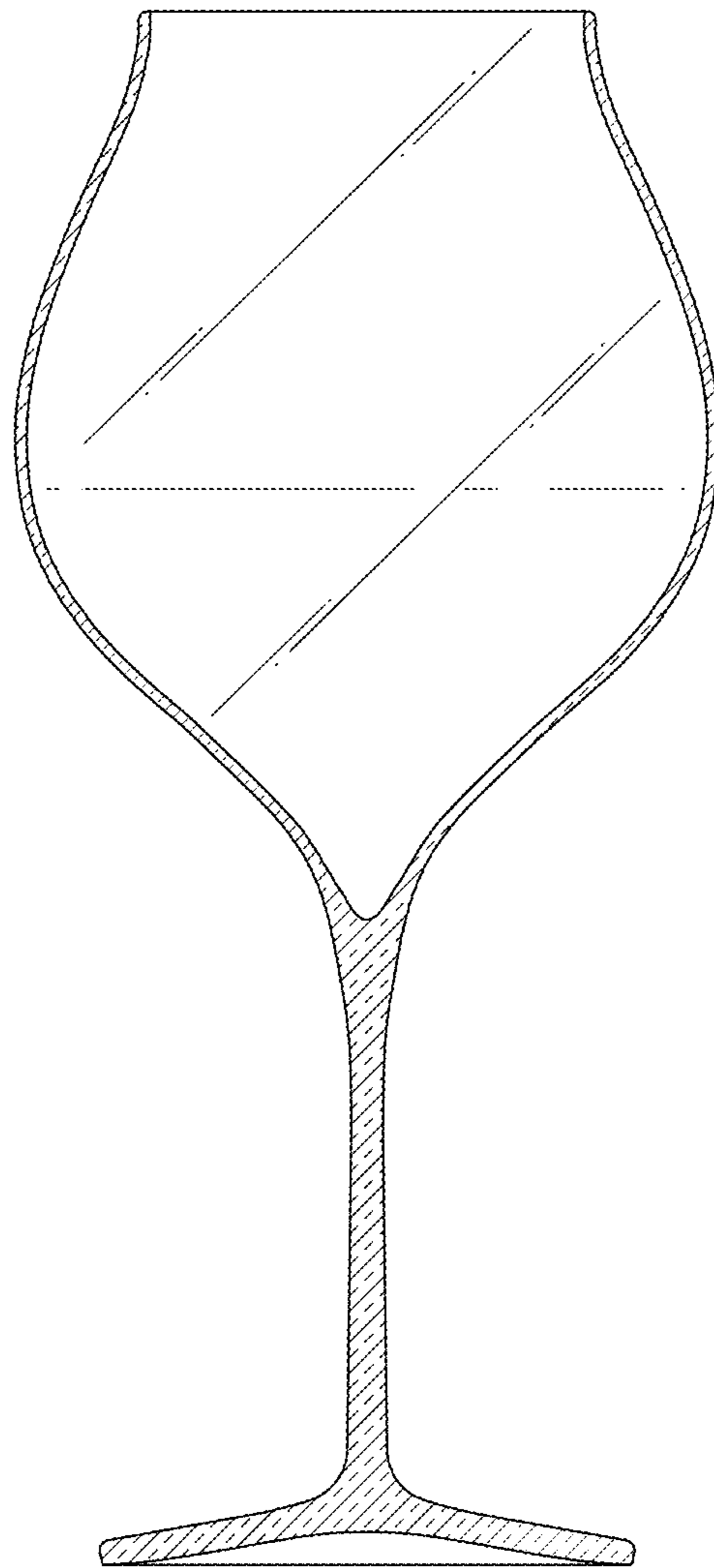


FIG. 5