



US00D800502S

(12) **United States Design Patent** (10) **Patent No.:** **US D800,502 S**  
**Weernink** (45) **Date of Patent:** **\*\* Oct. 24, 2017**

- (54) **CAMPUS DRINKING CUP**
- (71) Applicant: **Rosti Mepal Support B.V.**, Lochem (NL)
- (72) Inventor: **Johan Weernink**, Diepenheim (NL)
- (73) Assignee: **Rosti Mepal Support B.V.**, Lochem (NL)
- (\*\*) Term: **15 Years**
- (21) Appl. No.: **29/575,236**
- (22) Filed: **Aug. 23, 2016**

D539,655 S *	4/2007	Kipperman	.....	D9/529
D710,155 S *	8/2014	Tatsukawa	.....	D7/608
D729,010 S *	5/2015	Logel	.....	D7/510
D730,729 S *	6/2015	George	.....	D9/435
2016/0068317 A1 *	3/2016	Petit	.....	B29C 45/006 206/438

(30) **Foreign Application Priority Data**

Jul. 18, 2016 (WO) ..... 55388

(51) **LOC (10) Cl.** ..... **07-01**

(52) **U.S. Cl.**  
USPC ..... **D7/510**

(58) **Field of Classification Search**  
USPC ..... D7/300, 310, 313, 509, 510, 511, 523;  
D9/516, 559, 563, 564; 220/592.16,  
220/592.17

CPC ..... A45F 3/16; B65D 47/066; B65D 43/02  
See application file for complete search history.

(56) **References Cited**

**U.S. PATENT DOCUMENTS**

D360,576 S *	7/1995	Bech	.....	D9/520
D464,888 S *	10/2002	Slater	.....	D9/529
D474,651 S *	5/2003	Ward	.....	D7/615
6,667,936 B1 *	12/2003	Ditzig	.....	A61J 7/0409 368/10

**OTHER PUBLICATIONS**

Campus Drinking Cupl posted at Youtube.com, posted on Oct. 13, 2013, [site visited May 10, 2017]. Available from Internet, <URL: <https://www.youtube.com/watch?v=T1-UFRqYjC0>>.\*

\* cited by examiner

*Primary Examiner* — Daniel Bui

*Assistant Examiner* — Andrew Kerr

(74) *Attorney, Agent, or Firm* — Fross Zelnick Lehrman & Zissu, P.C.; Charles T. J. Weigell, Esq.

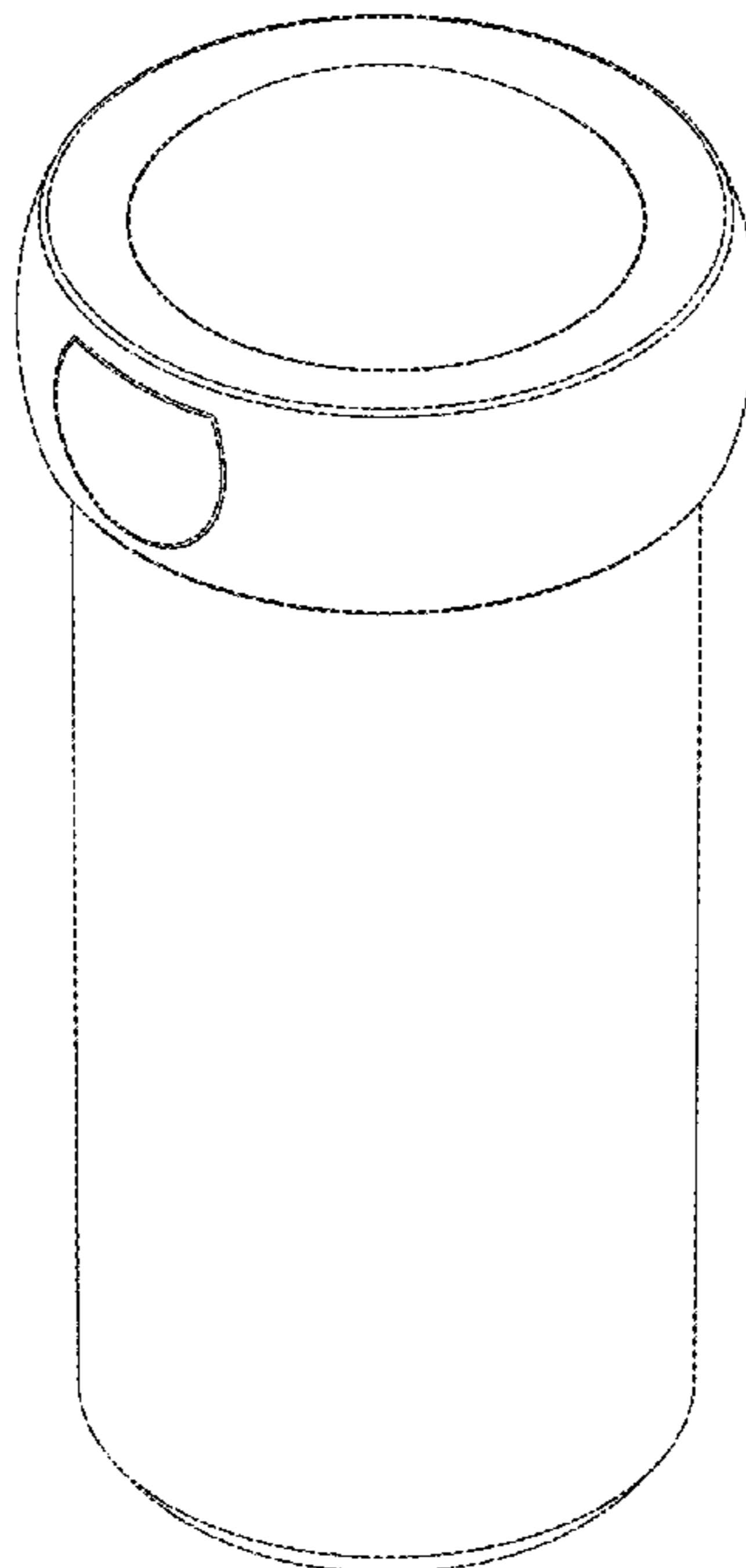
(57) **CLAIM**

The ornamental design for a campus drinking cup, as shown and described.

**DESCRIPTION**

FIG. 1 is a front perspective view of a campus drinking cup showing my new design;  
FIG. 2 is a front view thereof;  
FIG. 3 is a back view thereof;  
FIG. 4 is a left side view thereof;  
FIG. 5 is a right side view thereof;  
FIG. 6 is a top view thereof; and,  
FIG. 7 is a bottom view thereof.

**1 Claim, 7 Drawing Sheets**



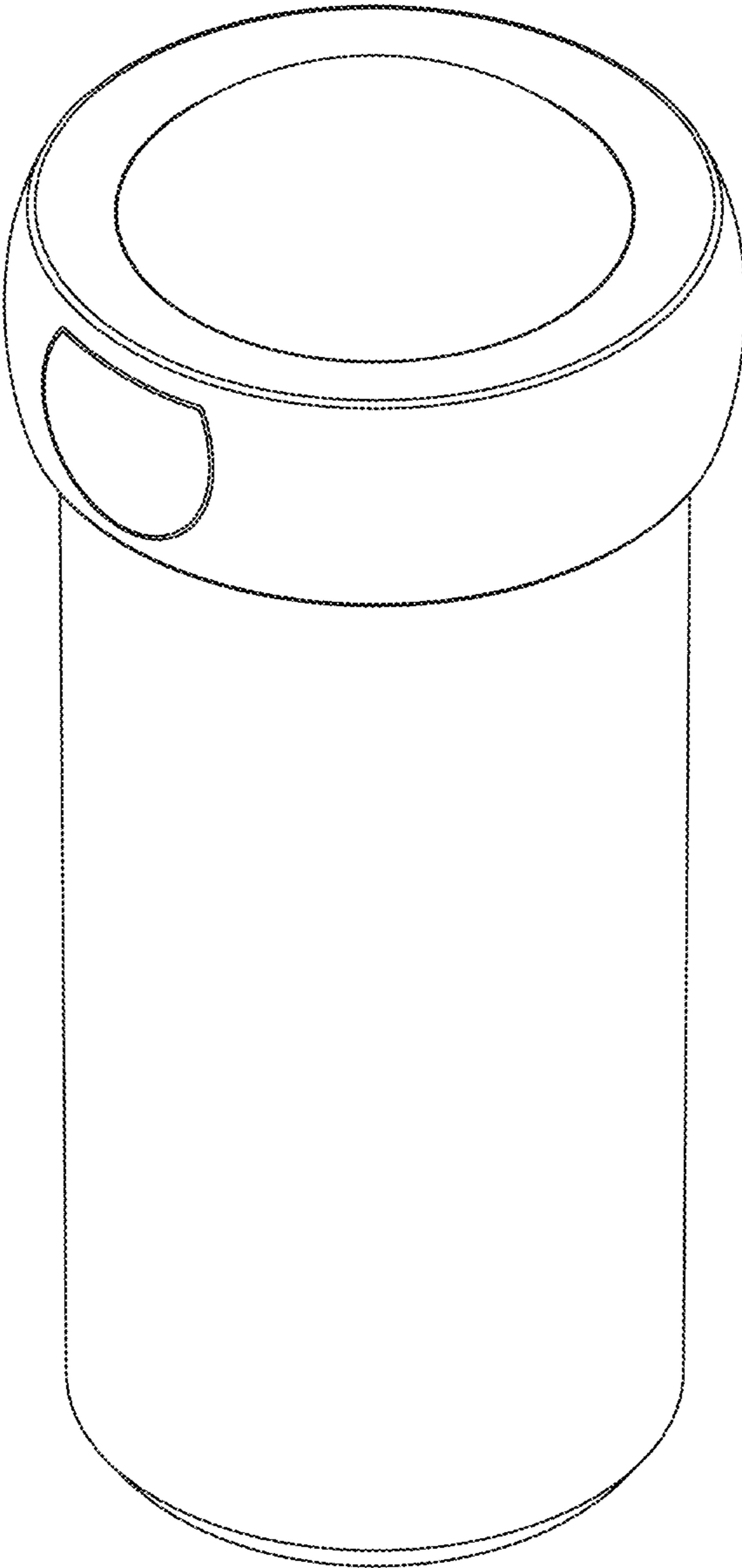


Fig. 1

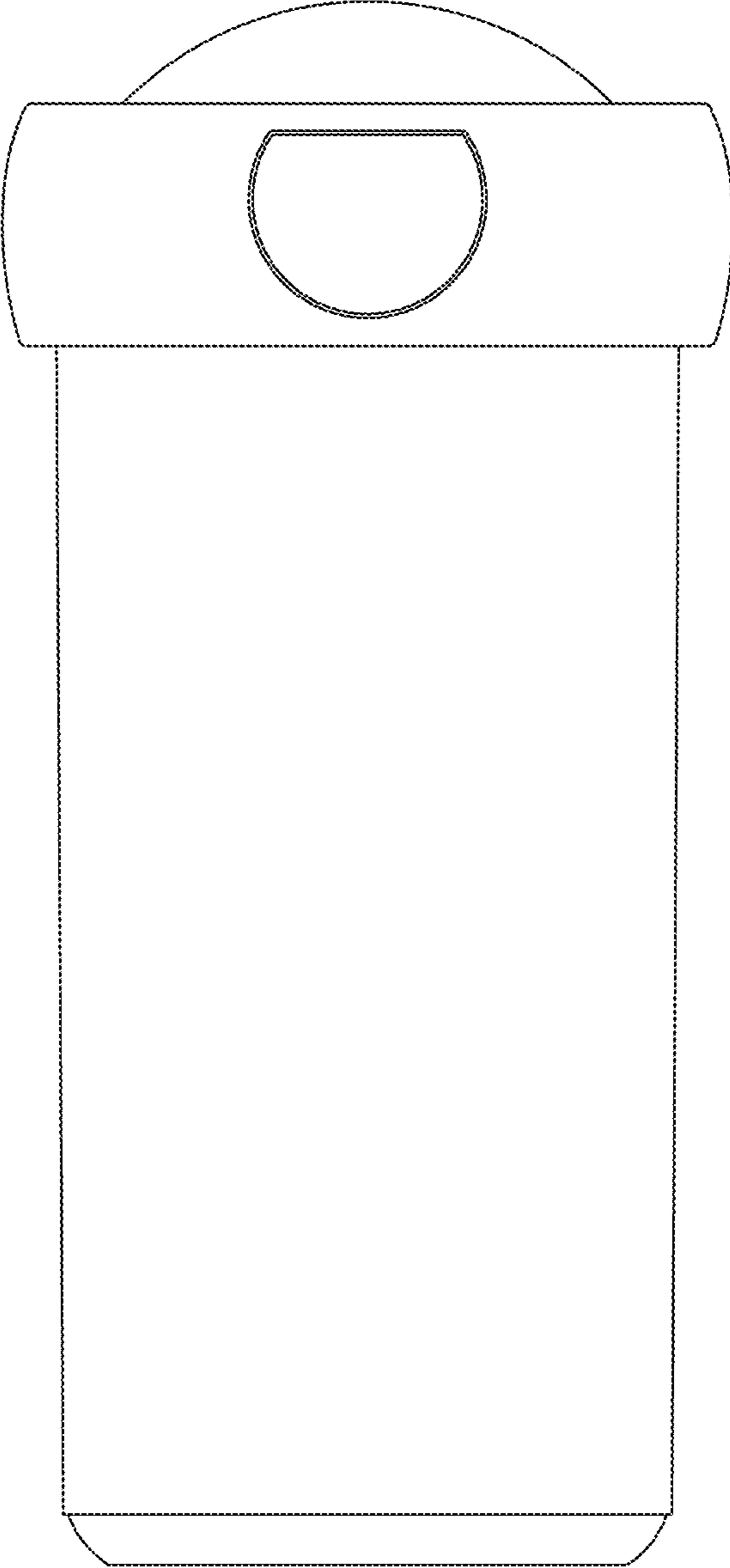


Fig. 2

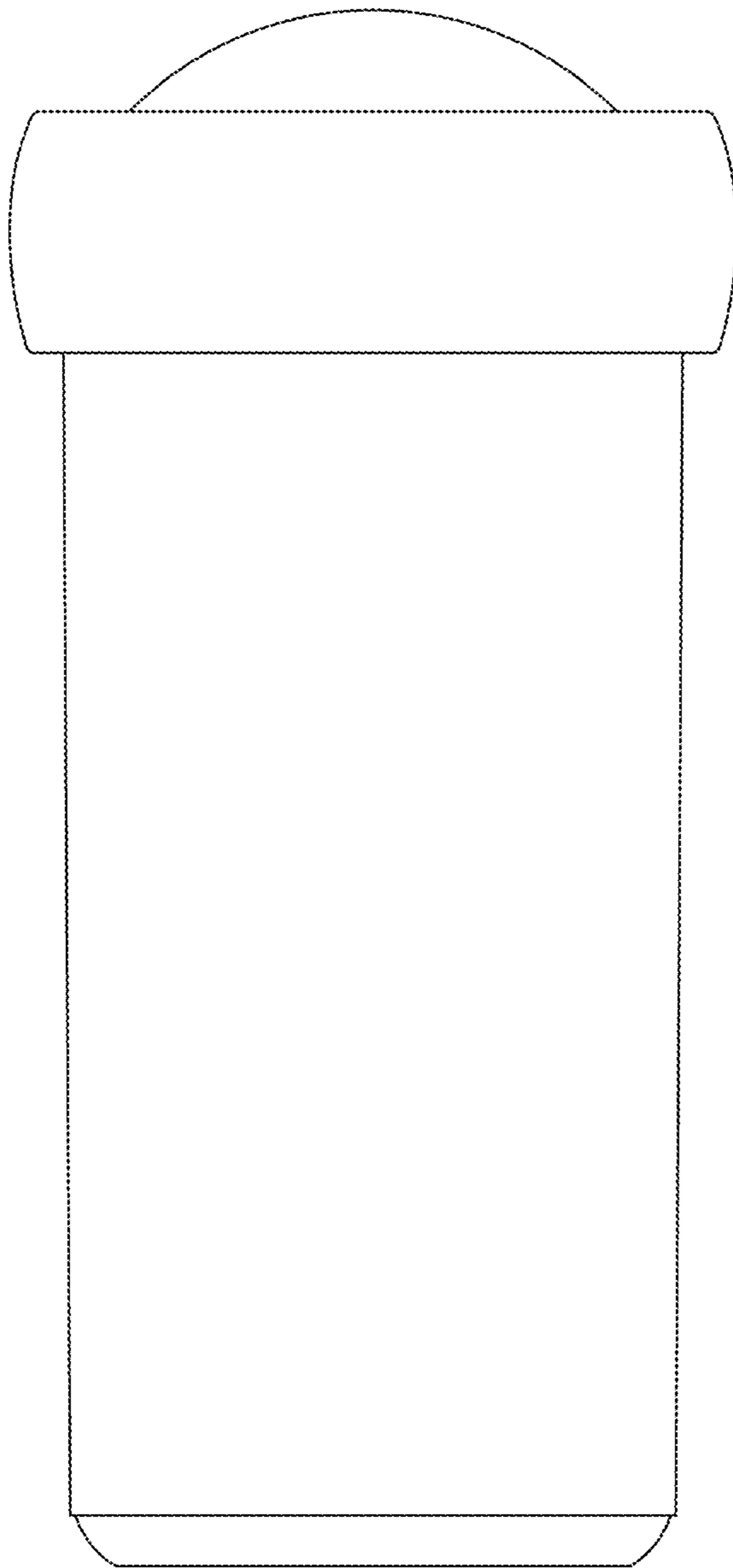


Fig. 3

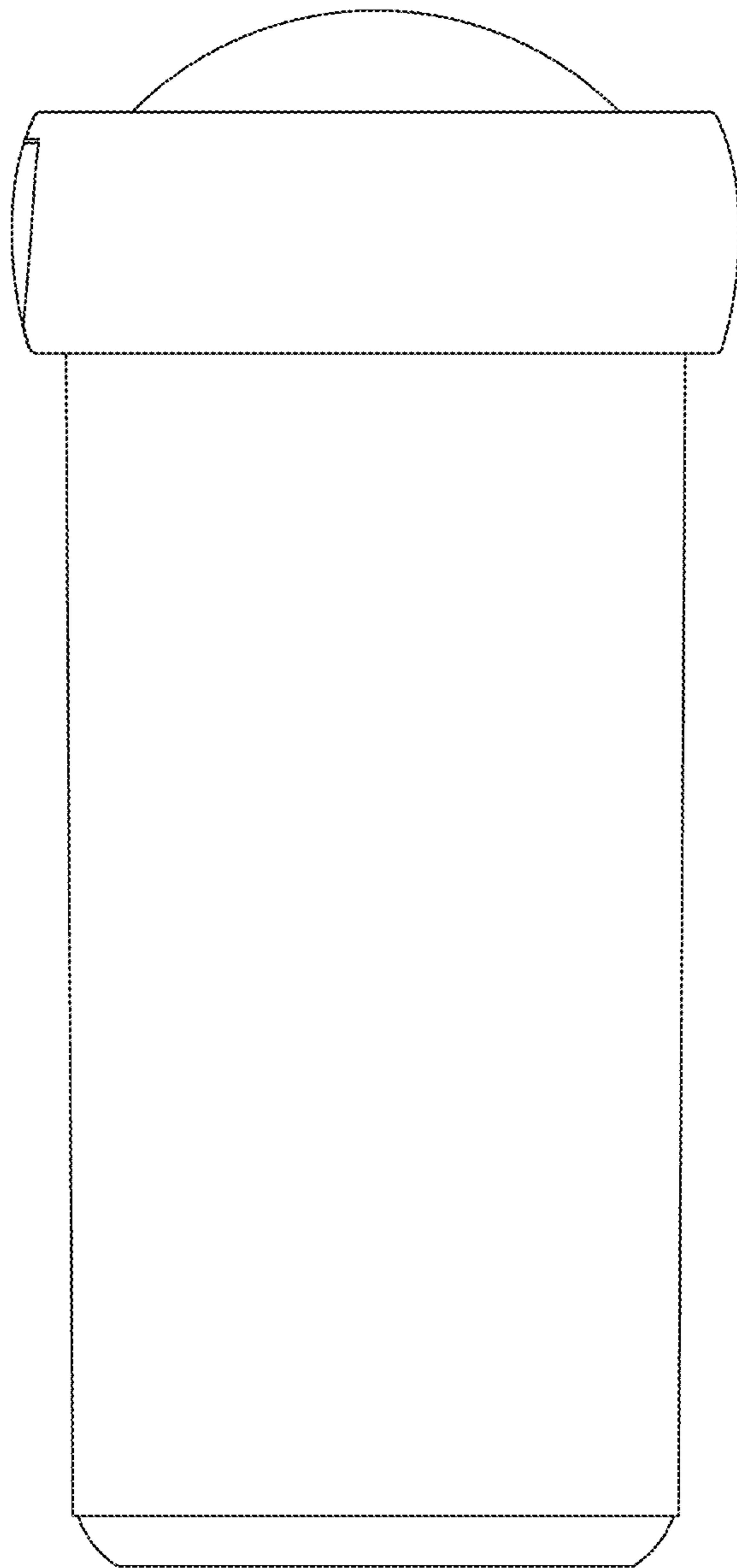


Fig. 4

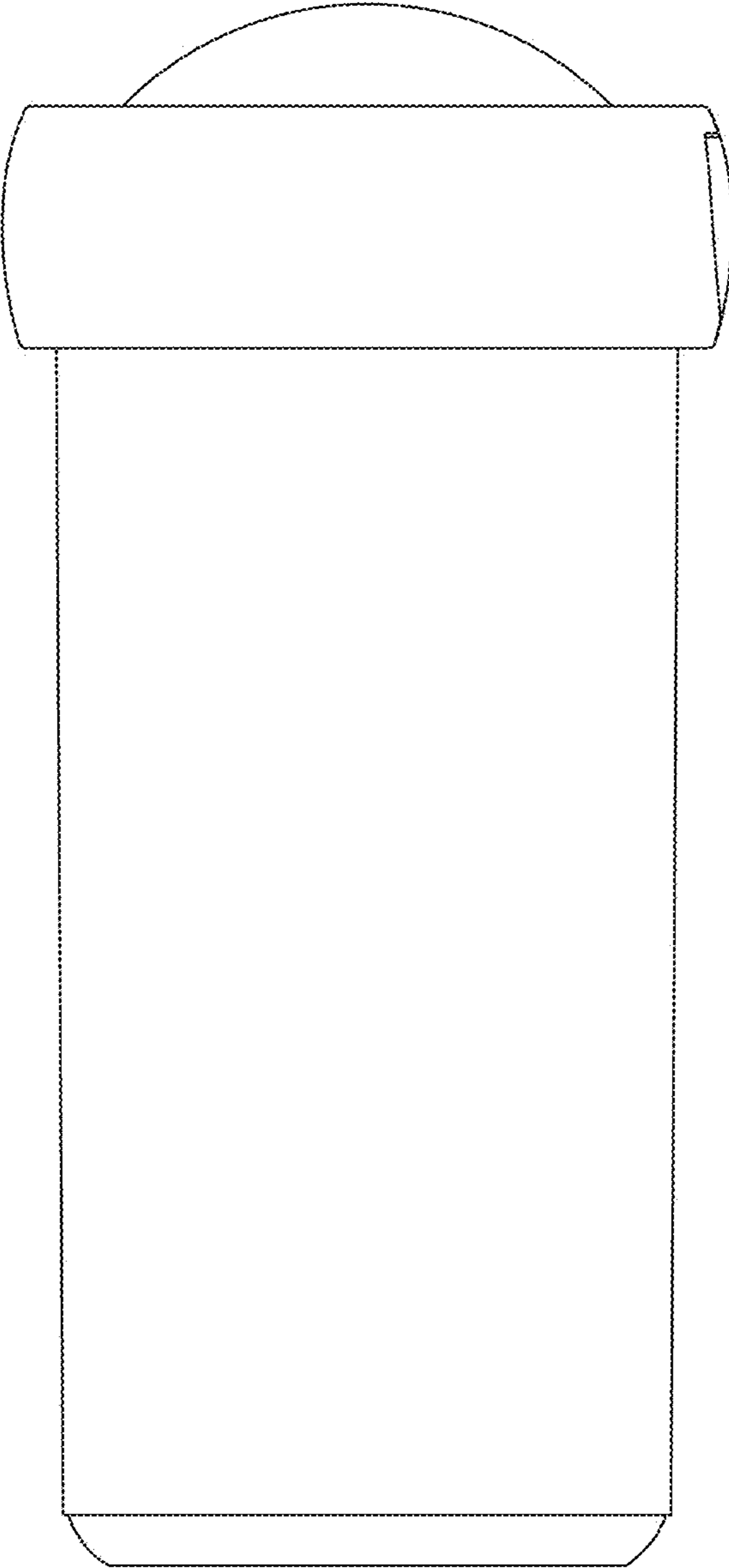


Fig. 5

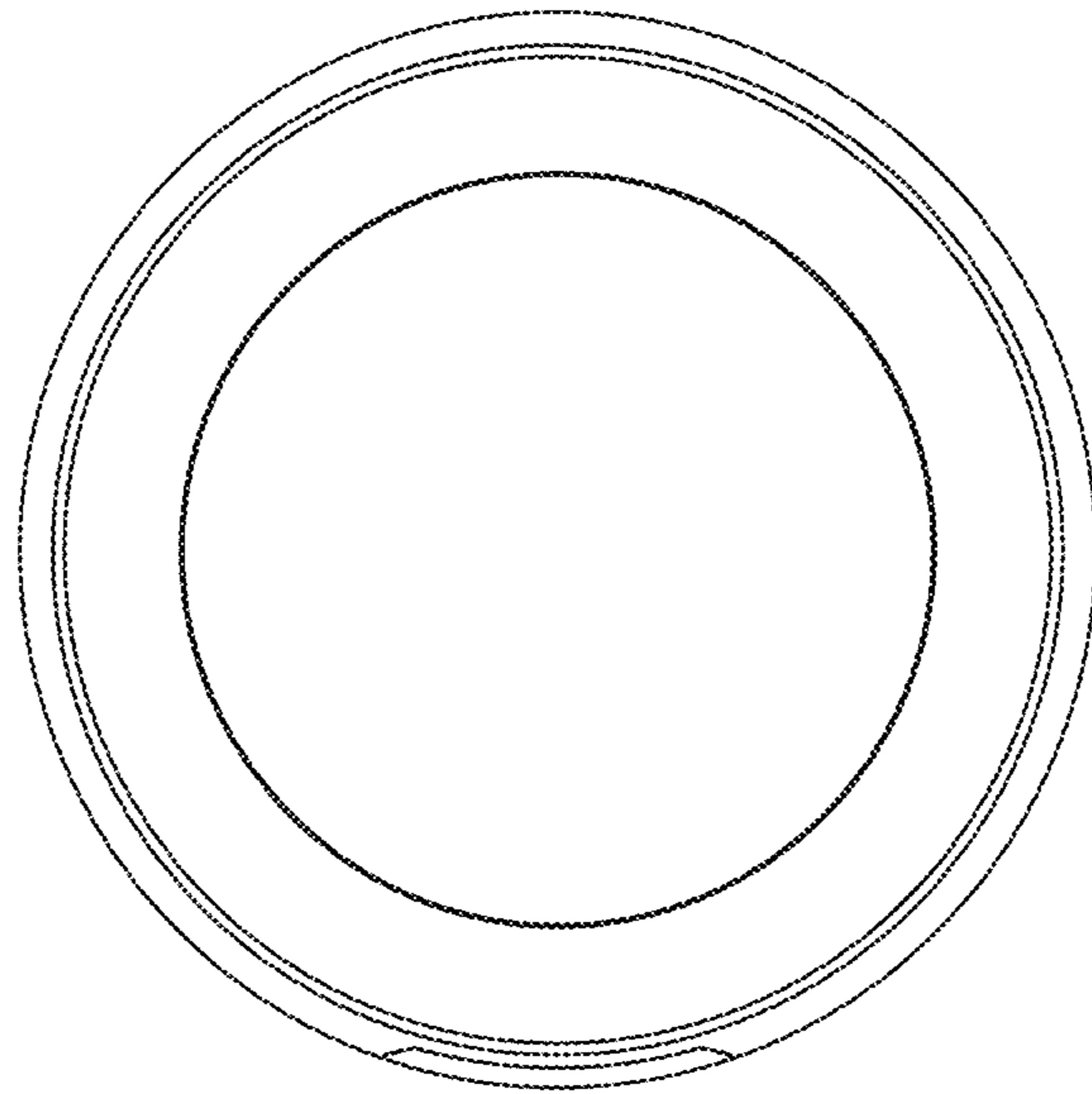


Fig. 6

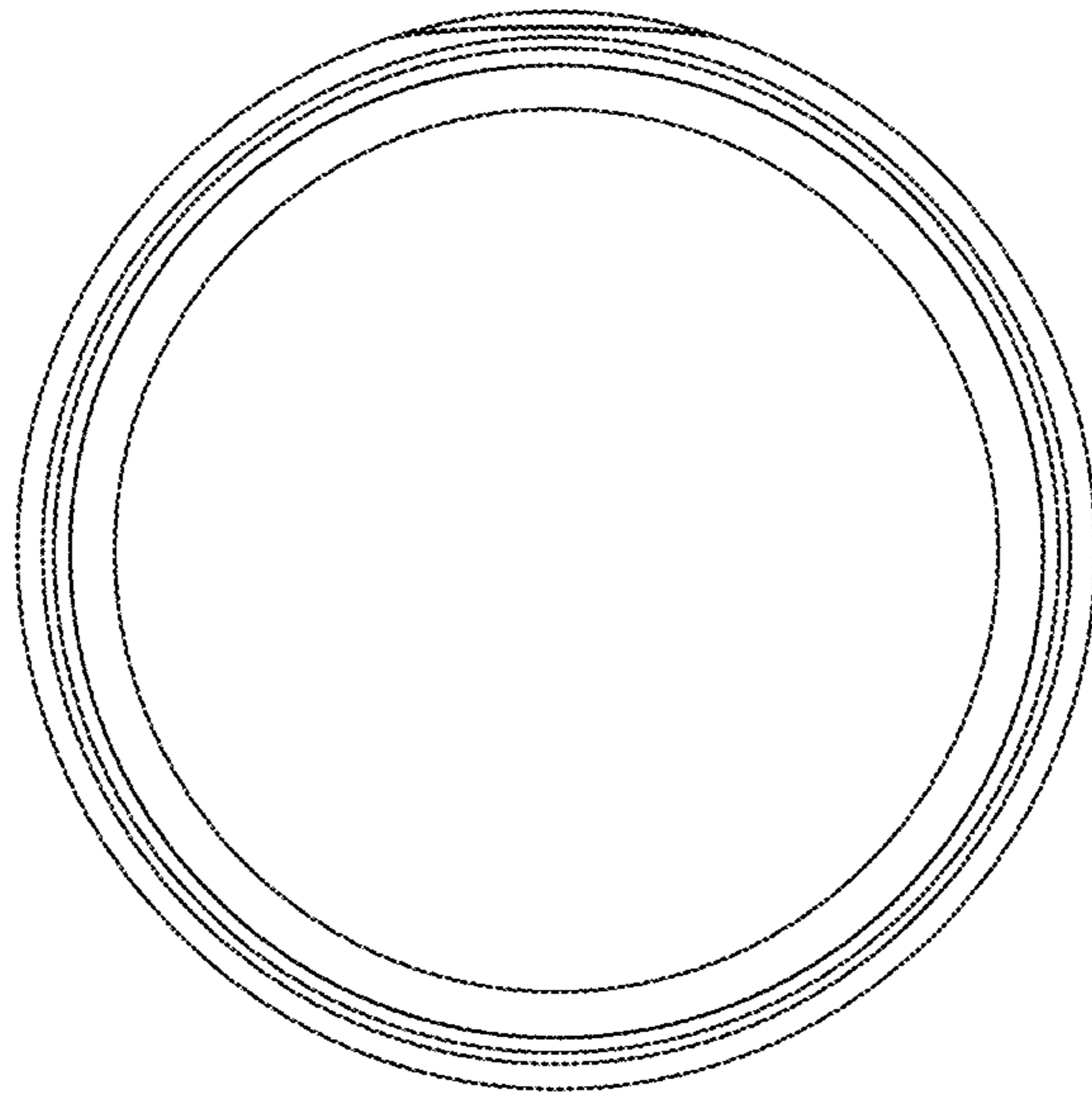


Fig. 7