



US00D800501S

(12) **United States Design Patent** (10) **Patent No.:** **US D800,501 S**
Rummel et al. (45) **Date of Patent:** **** Oct. 24, 2017**

(54) **DRINKING VESSEL**
(71) Applicant: **BRITA GMBH**, Taunusstein (DE)
(72) Inventors: **Christian Rummel**, Benningen (DE);
Tim Storti, Schwieberdingen (DE)
(73) Assignee: **BRITA GMBH**, Taunusstein (DE)
(**) Term: **15 Years**
(21) Appl. No.: **29/574,748**
(22) Filed: **Aug. 18, 2016**

(30) **Foreign Application Priority Data**
Mar. 24, 2016 (EM) 003 040 906
(51) **LOC (10) Cl.** **07-01**
(52) **U.S. Cl.**
USPC **D7/509**; D9/549
(58) **Field of Classification Search**
USPC D07/510, 511, 523, 529, 532, 533-536,
D07/608, 300.1, 591, 392.1, 396.2;
D09/503, 504, 516-575
CPC A47G 19/22; A47G 19/2205; A47G
19/2266; A47G 19/2272; A45F 3/16
See application file for complete search history.

(56) **References Cited**
U.S. PATENT DOCUMENTS
D512,874 S * 12/2005 Poulson D7/510
D621,220 S * 8/2010 Lown D7/300.1
D689,331 S * 9/2013 Staton D7/510
D699,516 S * 2/2014 Kim D7/510
D724,896 S * 3/2015 Williams D7/511
D736,562 S * 8/2015 Green D7/510
D753,442 S * 4/2016 Weernink D7/507
D758,133 S * 6/2016 Peng D7/510
D772,652 S * 11/2016 Yao D7/510
D774,351 S * 12/2016 Breit D7/394

D784,765 S * 4/2017 Yao D7/510
D793,165 S * 8/2017 Rummel D7/510
D795,012 S * 8/2017 Rummel D7/510
2007/0039959 A1* 2/2007 Choi A47G 19/2266
220/212.5
2011/0278206 A1* 11/2011 Hull A47G 19/2266
210/85
2016/0316896 A1* 11/2016 Breit A45F 3/16

FOREIGN PATENT DOCUMENTS

DE 49912013-0001 2/2000
DE 40011218-0001 11/2000
DE 402010002629-0001 5/2010

(Continued)

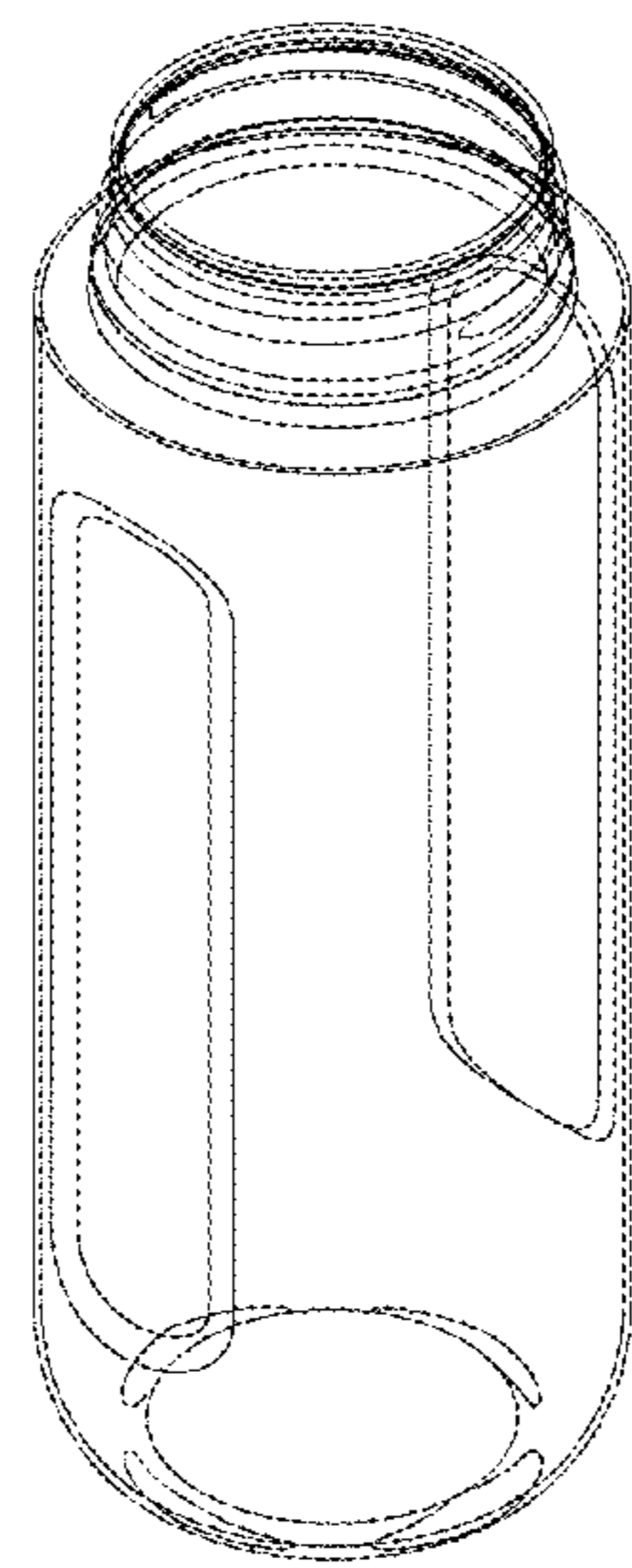
Primary Examiner — Daniel Bui
Assistant Examiner — Andrew Kerr
(74) *Attorney, Agent, or Firm* — Hudak, Shunk & Farine
Co., LPA

(57) **CLAIM**
The ornamental design for a “drinking vessel,” as shown and
described.

DESCRIPTION

FIG. 1 is a front right side slightly downward-looking
perspective view of the drinking vessel showing our new
design;
FIG. 2 is a top view thereof;
FIG. 3 is a bottom view thereof;
FIG. 4 is a right side view thereof;
FIG. 5 is a left side view thereof;
FIG. 6 is a front view thereof; and,
FIG. 7 is a rear view thereof.
The broken lines in the drawing views represent unclaimed
portions of a drinking vessel, which are included for the
purpose of illustrating unclaimed environment only, and
forms no part of the claimed design.

1 Claim, 7 Drawing Sheets



(56)

References Cited

FOREIGN PATENT DOCUMENTS

DE	402012004085-0012	9/2012
DE	402012004085-0023	9/2012
DE	402012004085-0025	9/2012
EM	000605902-0001	10/2006
EM	000605902-0002	10/2006
JP	1391631 S	7/2009
JP	1509480 S	12/2012

* cited by examiner

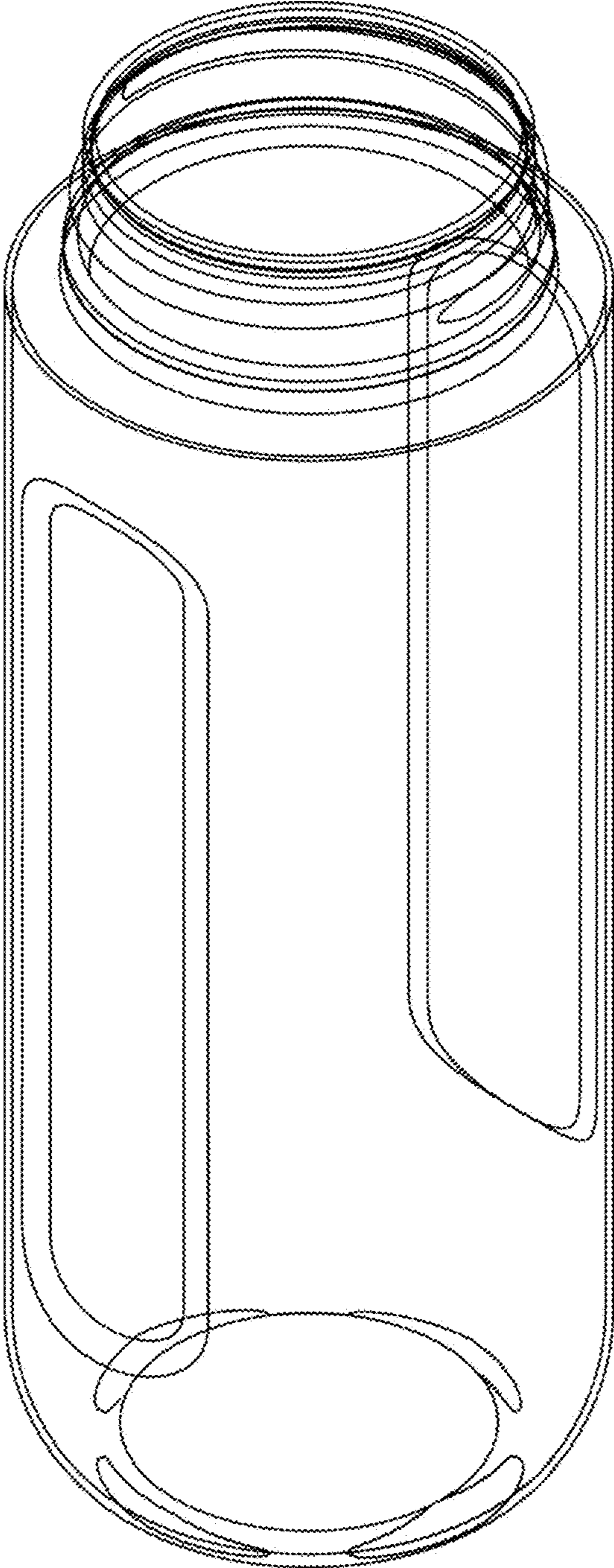


FIG. 1

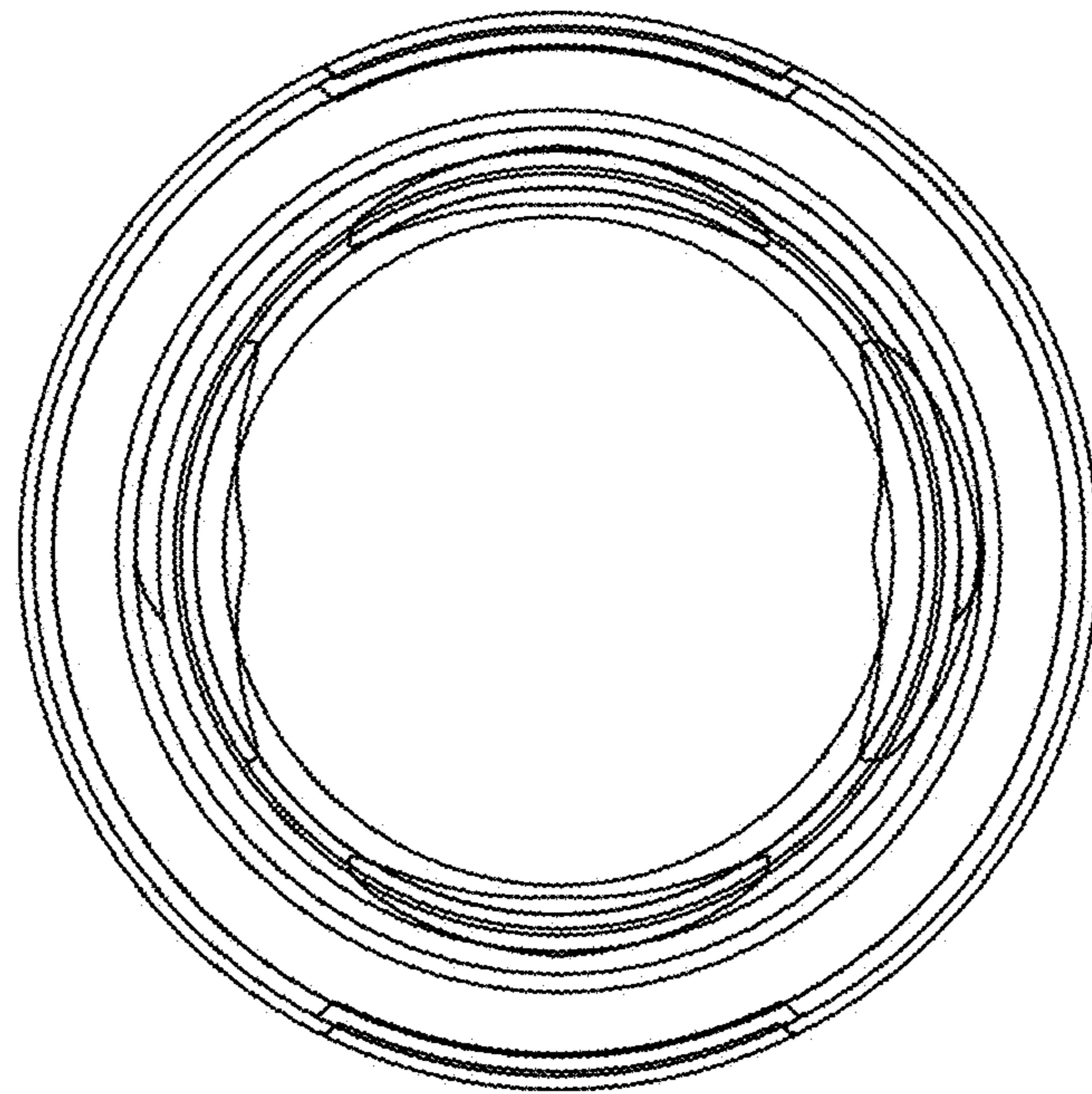


FIG. 2

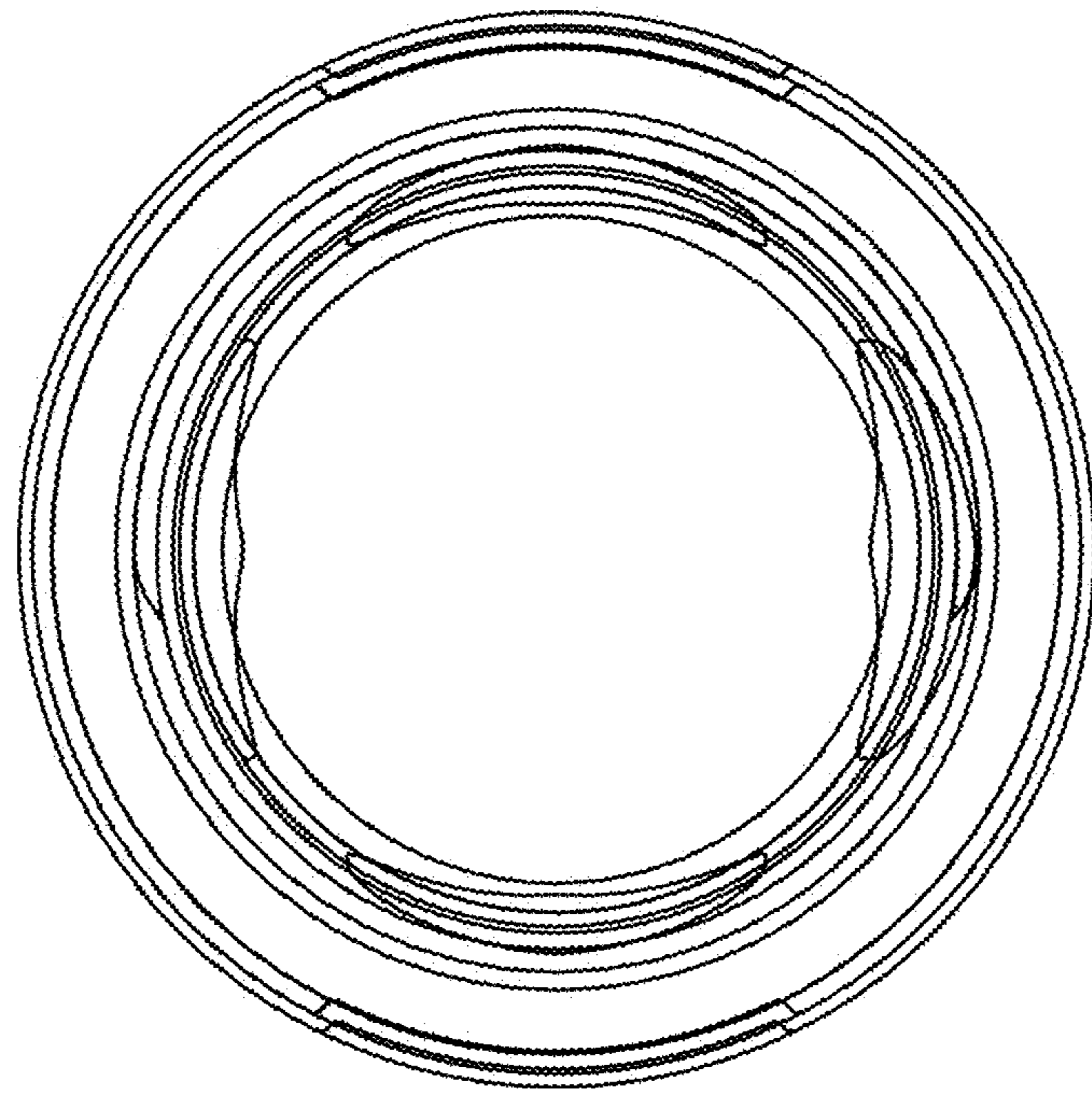


FIG. 3

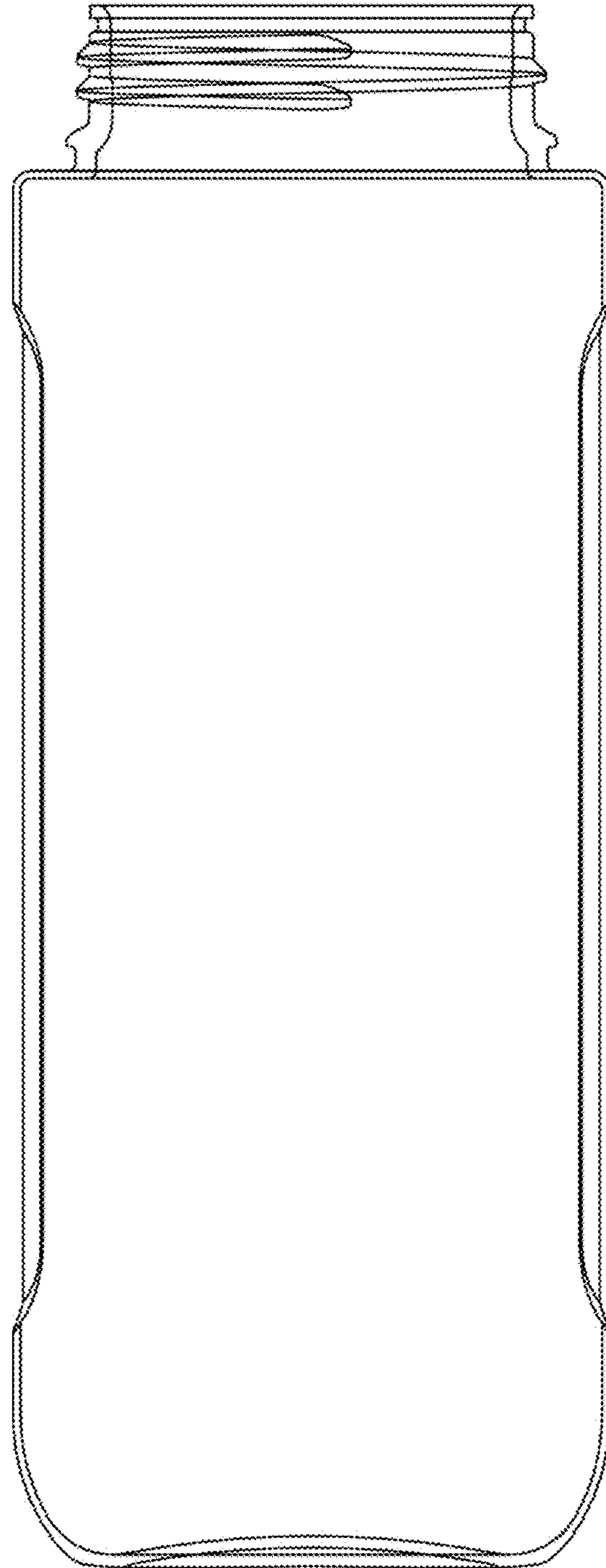


FIG. 4

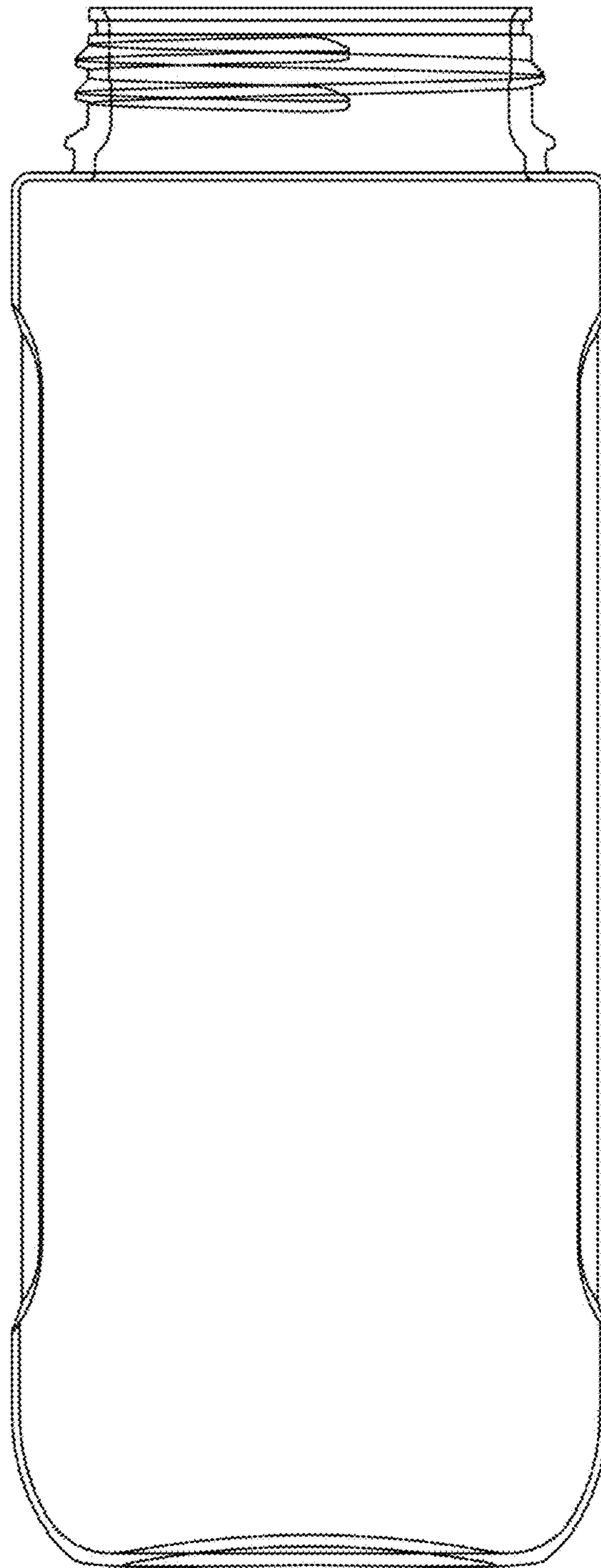


FIG. 5

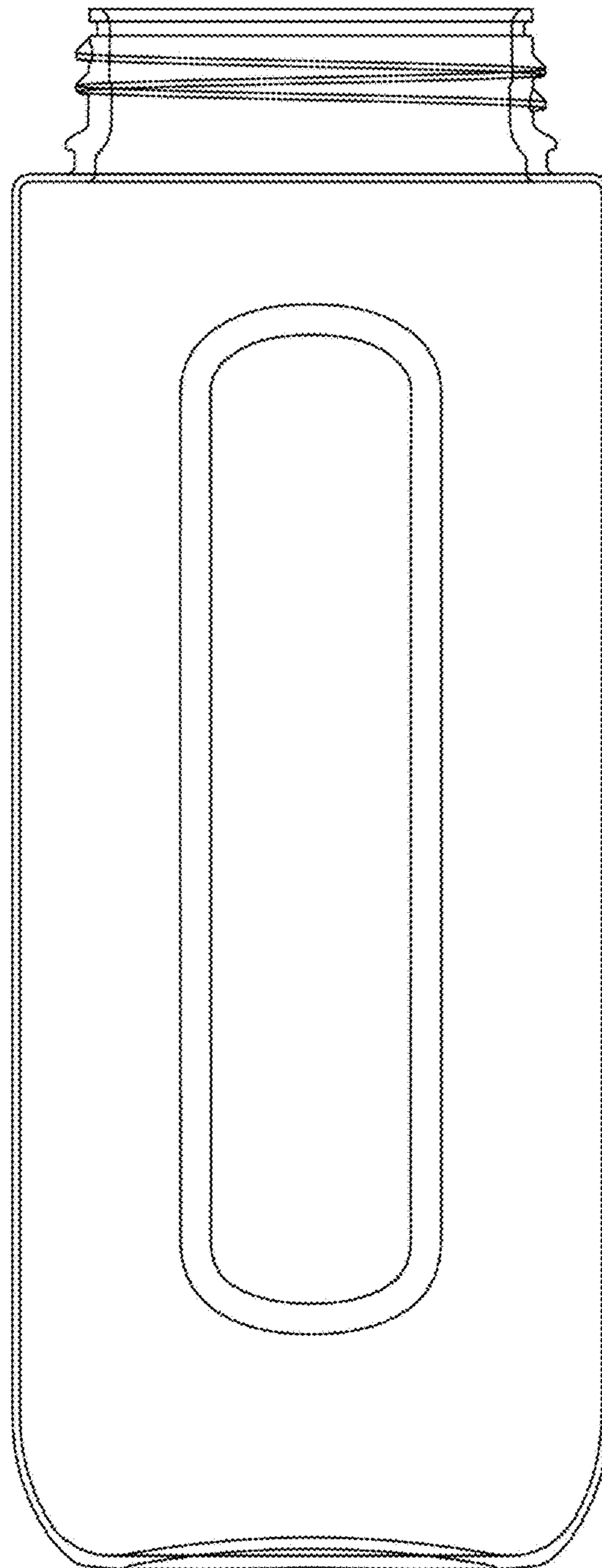


FIG. 6

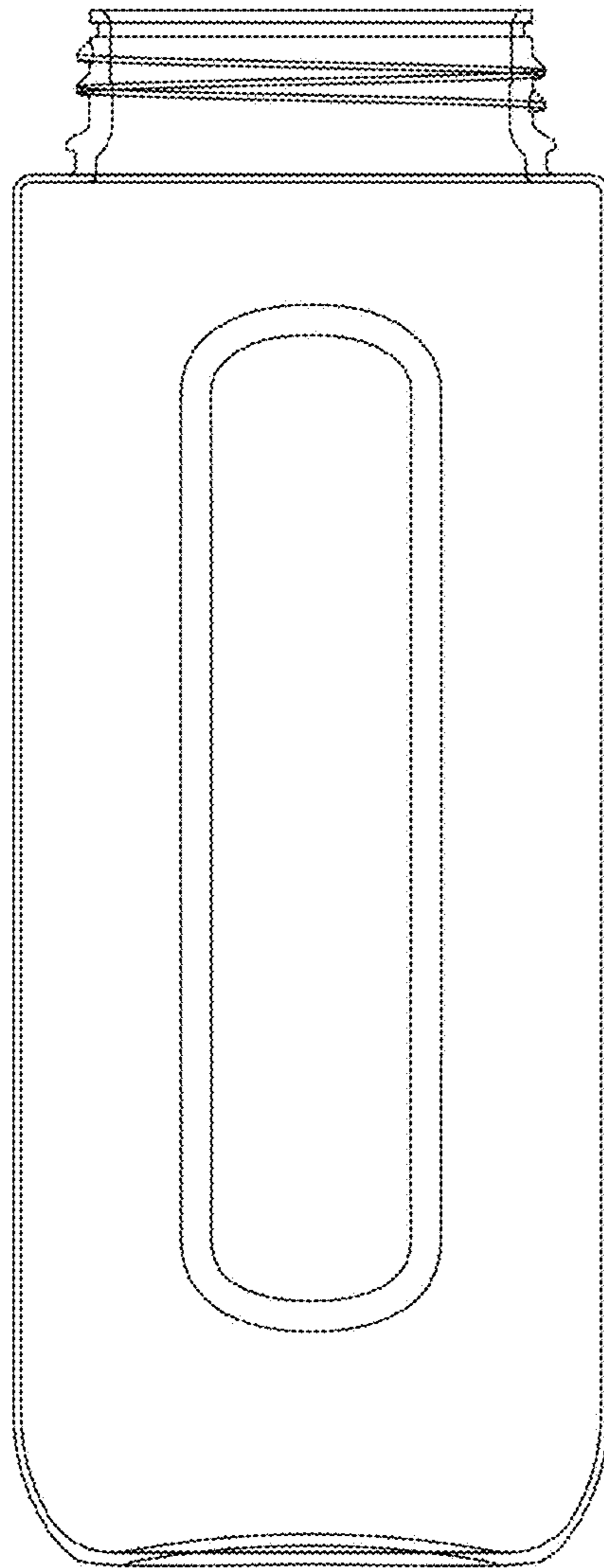


FIG. 7

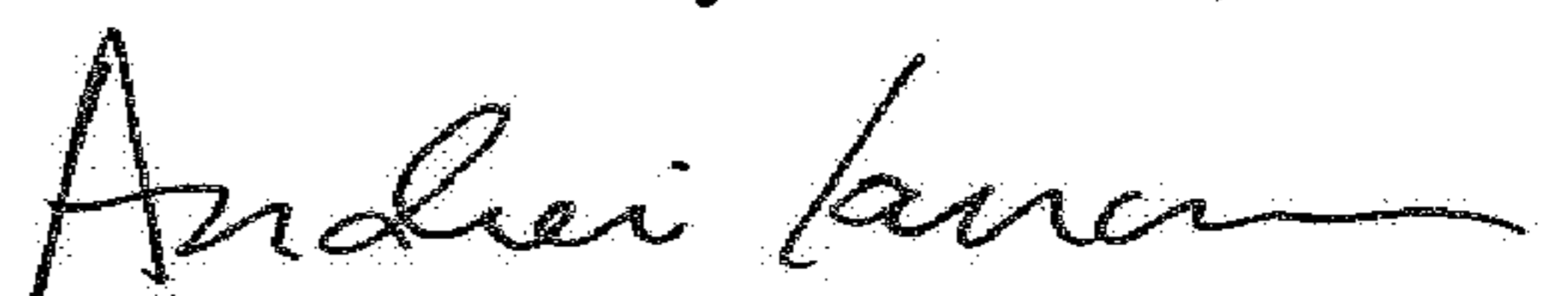
UNITED STATES PATENT AND TRADEMARK OFFICE
CERTIFICATE OF CORRECTION

PATENT NO. : D800,501 S
APPLICATION NO. : 29/574748
DATED : October 24, 2017
INVENTOR(S) : Christian Rummel et al.

Page 1 of 4

It is certified that error appears in the above-identified patent and that said Letters Patent is hereby corrected as shown below:

Please replace Figs. 1-3 with the attached Figs. 1-3.

Signed and Sealed this
Thirteenth Day of March, 2018

Andrei Iancu
Director of the United States Patent and Trademark Office

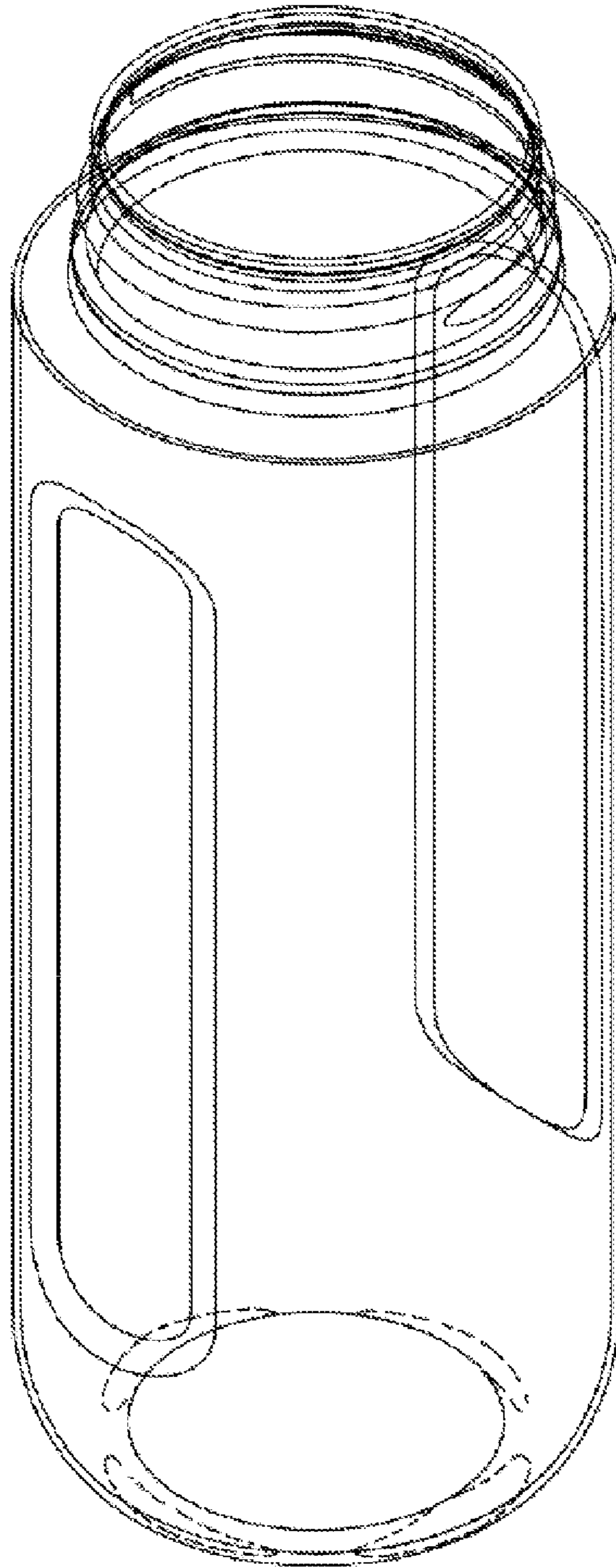


FIG. 1

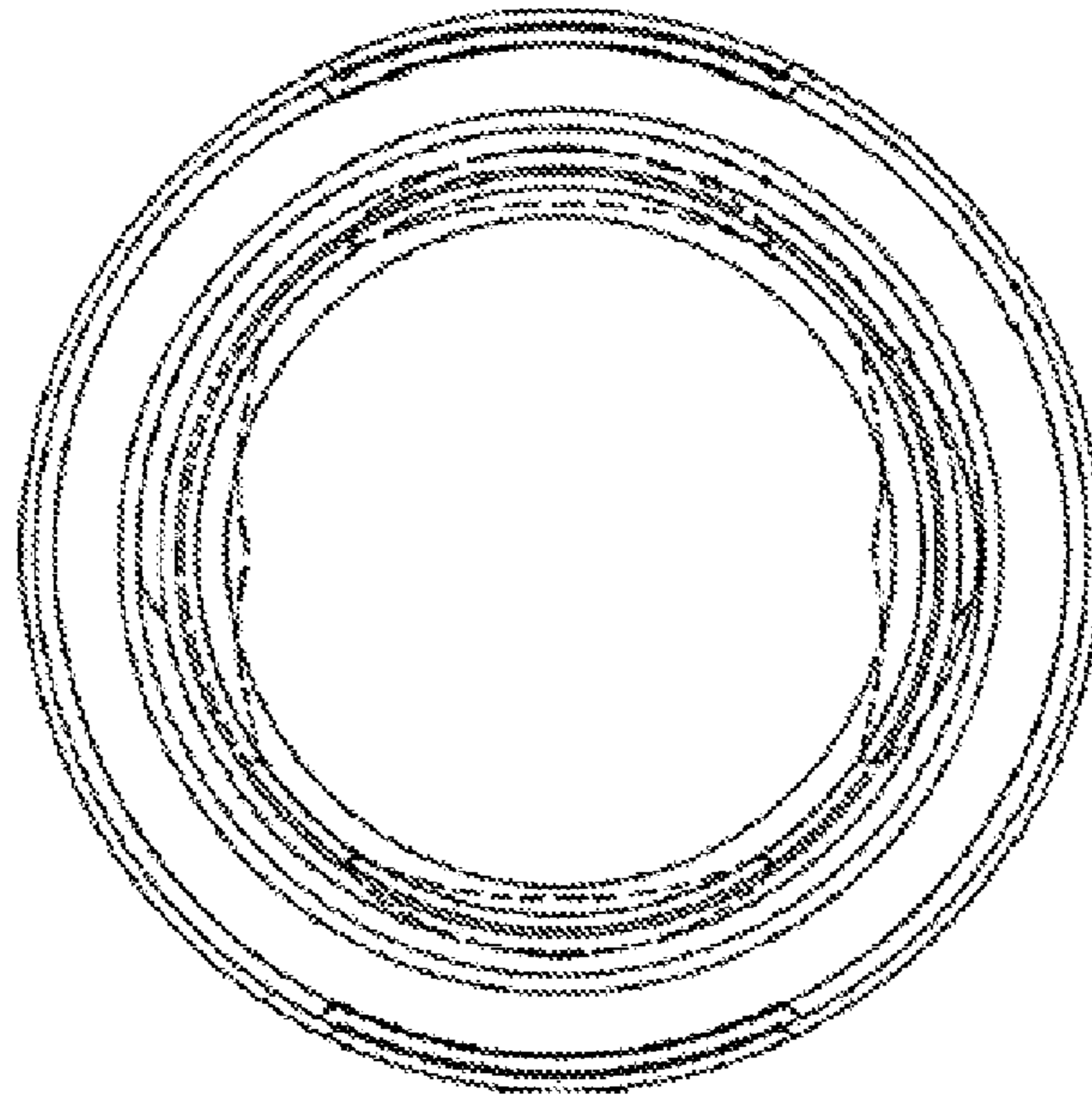


FIG. 2

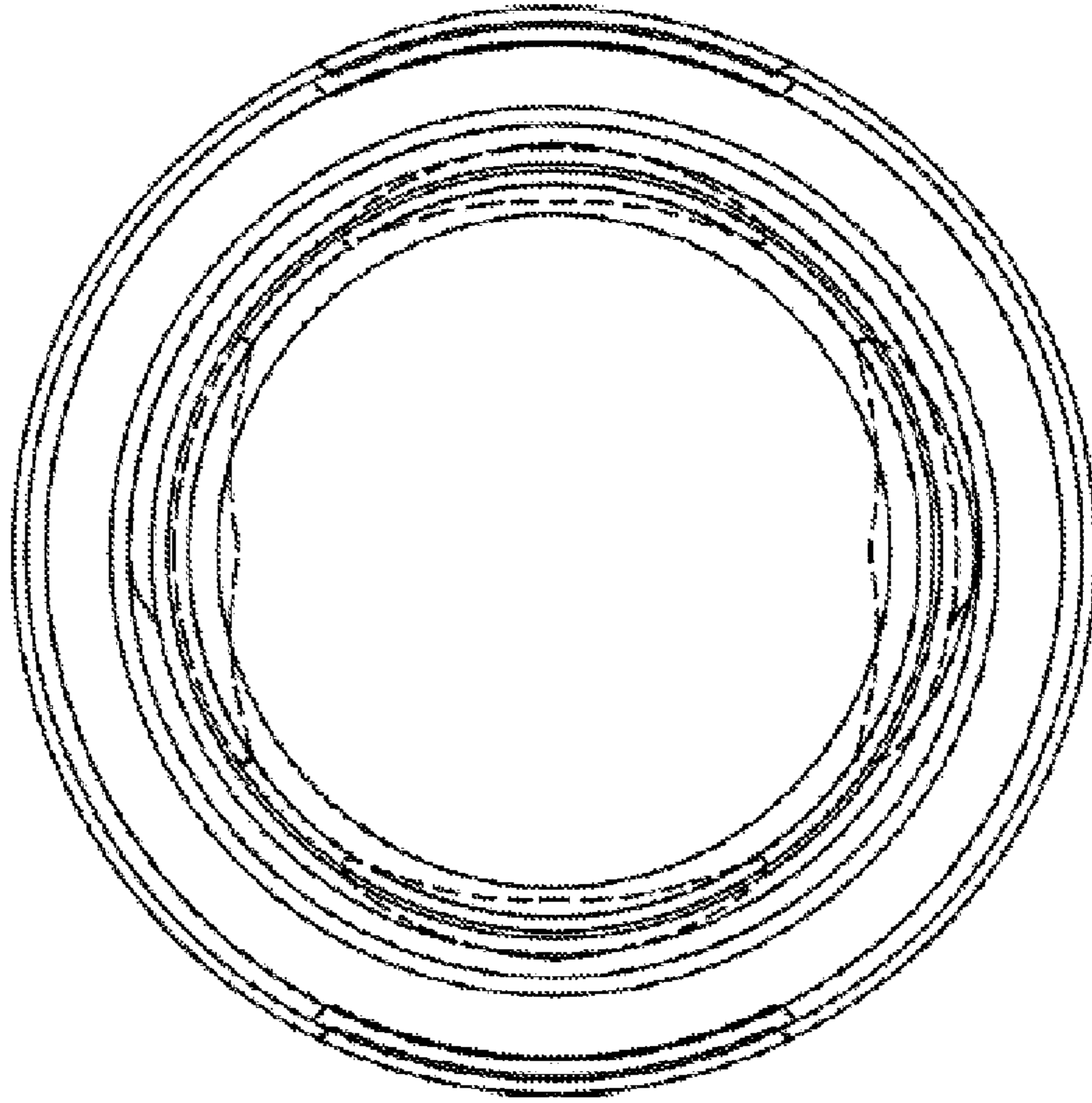


FIG. 3