



US00D800500S

(12) **United States Design Patent** (10) **Patent No.:** **US D800,500 S**
Bricker (45) **Date of Patent:** **** Oct. 24, 2017**

(54) **CIGAR GLASS**

(71) Applicant: **HEWY WINE CHILLERS, LLC**,
Orlando, FL (US)

(72) Inventor: **Ryan Bricker**, Dallas, TX (US)

(73) Assignee: **HEWY WINE CHILLERS, LLC**,
Orlando, FL (US)

(**) Term: **15 Years**

(21) Appl. No.: **29/539,610**

(22) Filed: **Sep. 16, 2015**

(51) **LOC (10) Cl.** **07-01**

(52) **U.S. Cl.**
USPC **D7/509; D7/532**

(58) **Field of Classification Search**
USPC D7/507, 509, 510, 511, 523, 529, 530,
D7/532, 584, 533, 535, 504; D11/143,
D11/144; D26/9, 11; 220/592.16,
220/592.17, 200, 495.03, 494, 62.12, 662,
220/663; 215/377, 371, 374; D9/415,
D9/534, 530, 721, 722; D27/183, 172,
D27/174, 175, 176, 101, 100, 118
CPC A47G 19/22; A47G 19/2205; A47G
19/2222; B65D 3/22; B65D 90/02; A01G
9/00

See application file for complete search history.

(56) **References Cited**

U.S. PATENT DOCUMENTS

D224,701 S * 9/1972 Wright 206/806
D279,763 S * 7/1985 Hestehave D9/528
D282,232 S * 1/1986 Bussell D7/509
D340,385 S * 10/1993 Durand D7/509

D356,542 S * 3/1995 Finkiewicz D12/411
D376,729 S 12/1996 Maki
D411,414 S * 6/1999 Berger D7/510
D442,736 S * 5/2001 McGilvray D27/118
D605,468 S * 12/2009 Borrello D7/507
D617,942 S * 6/2010 LoRe D27/172
D623,016 S * 9/2010 Borrello D7/507
D631,700 S * 2/2011 Flick D7/509
D646,926 S * 10/2011 Willat D7/509
D654,318 S 2/2012 O'Neill
D663,163 S * 7/2012 Dick D7/507
D664,397 S 7/2012 Franco
D714,646 S * 10/2014 Libman D9/523
D721,541 S 1/2015 Evans
D755,568 S * 5/2016 Lee D7/509
D767,090 S * 9/2016 Zimak D23/211.2

* cited by examiner

Primary Examiner — Marianne Pandozzi
Assistant Examiner — Jae Liang

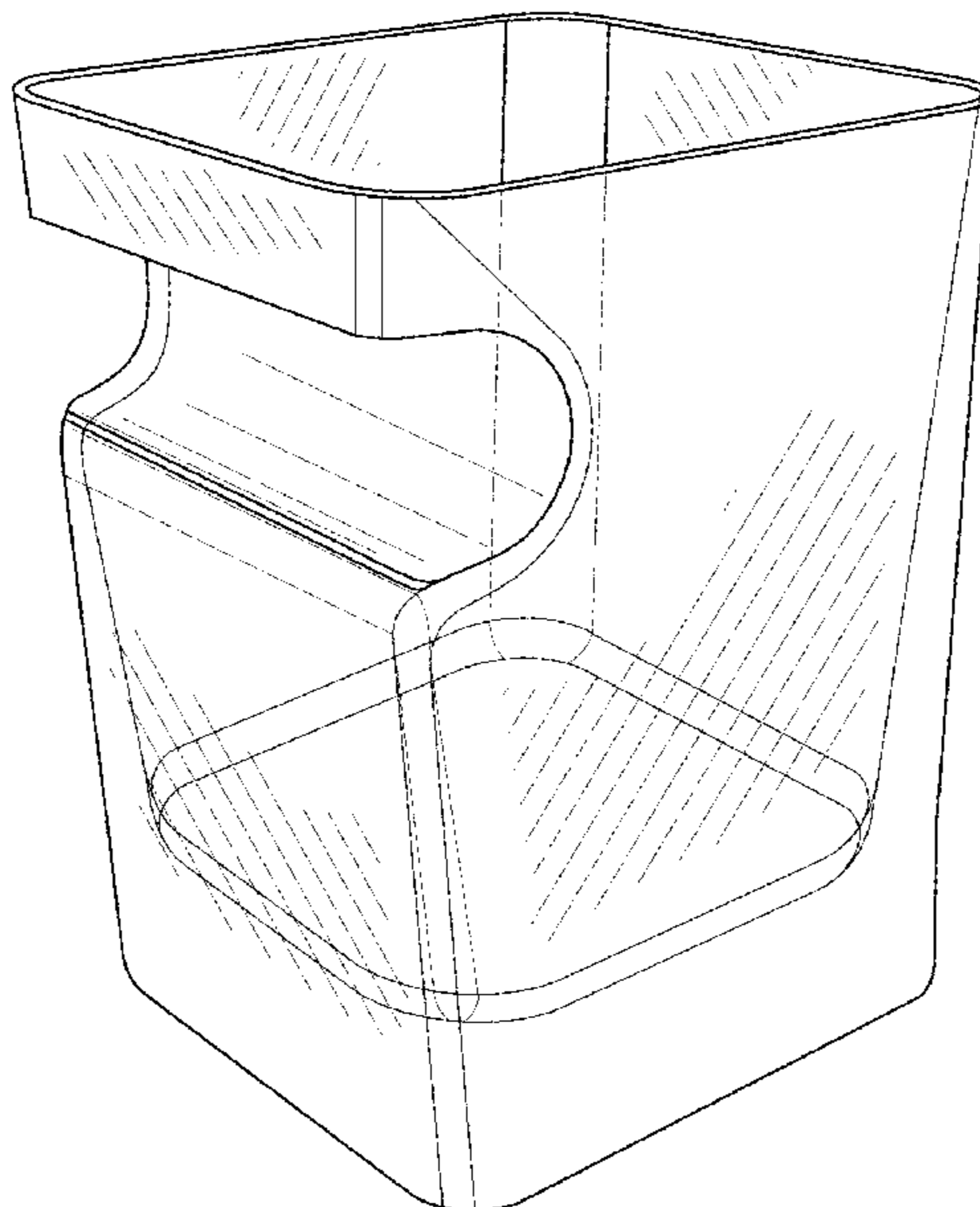
(57) **CLAIM**

An ornamental design for a cigar glass, as shown and described.

DESCRIPTION

FIG. 1 is a top, front isometric view of a cigar glass showing my new design;
FIG. 2 is a left side view thereof;
FIG. 3 is a right side view thereof;
FIG. 4 is a front view thereof;
FIG. 5 is a rear view thereof;
FIG. 6 is a top view thereof; and,
FIG. 7 is a bottom view thereof.
The present invention relates in general to beverage containers and, in particular, to a beverage container that can also support and/or hold a cigar or cigarette.

1 Claim, 4 Drawing Sheets



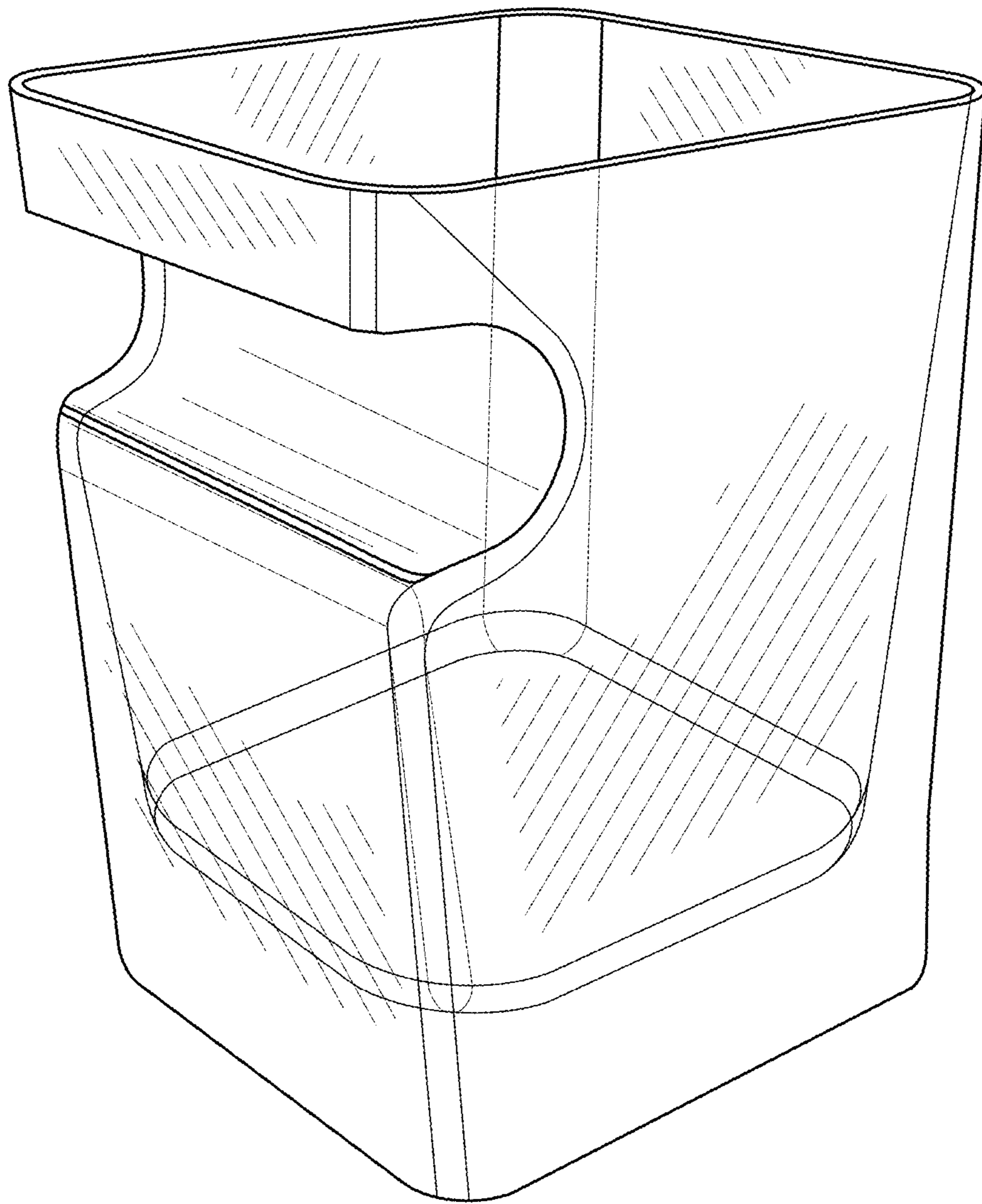


FIG. 1

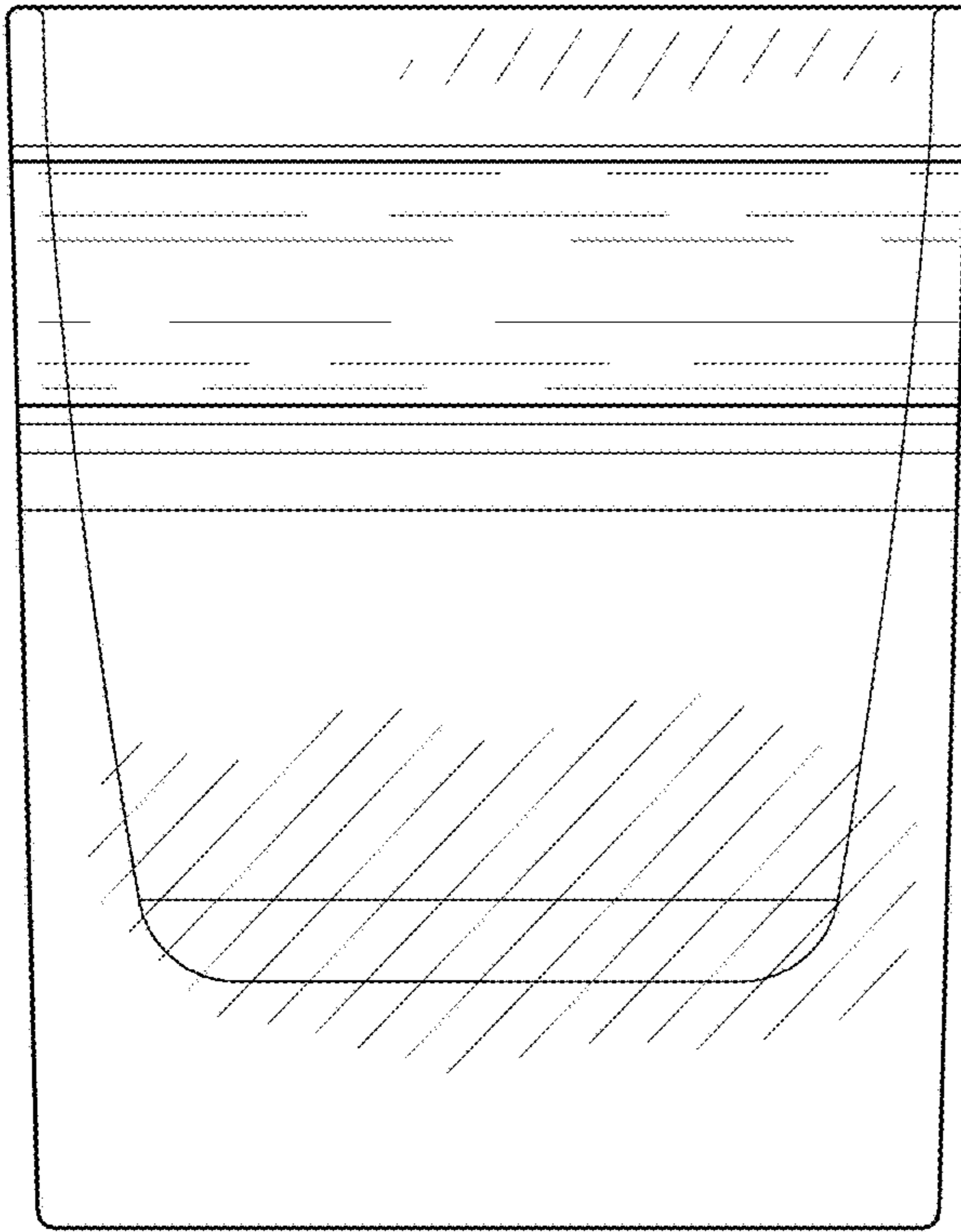


FIG. 2

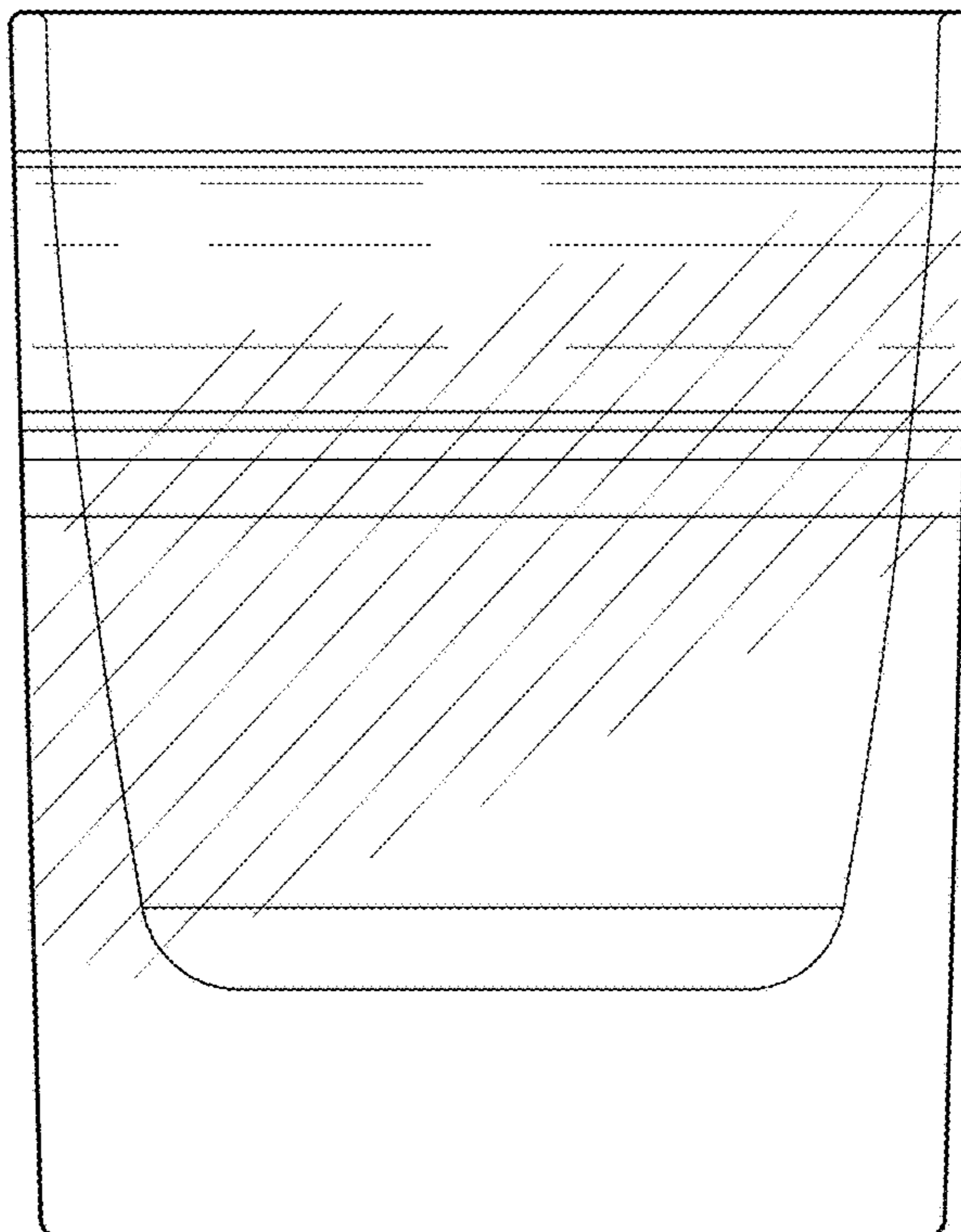


FIG. 3

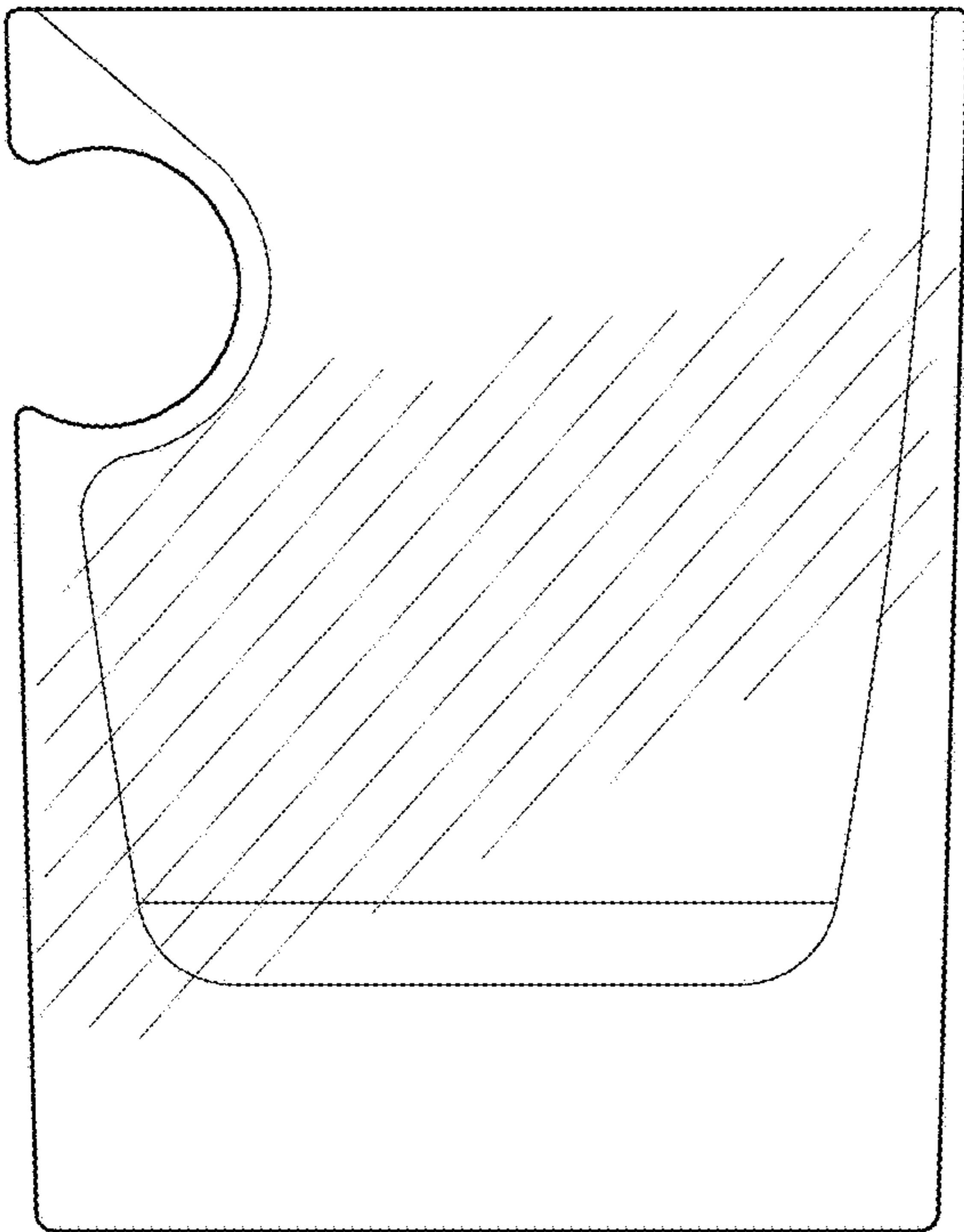


FIG. 4

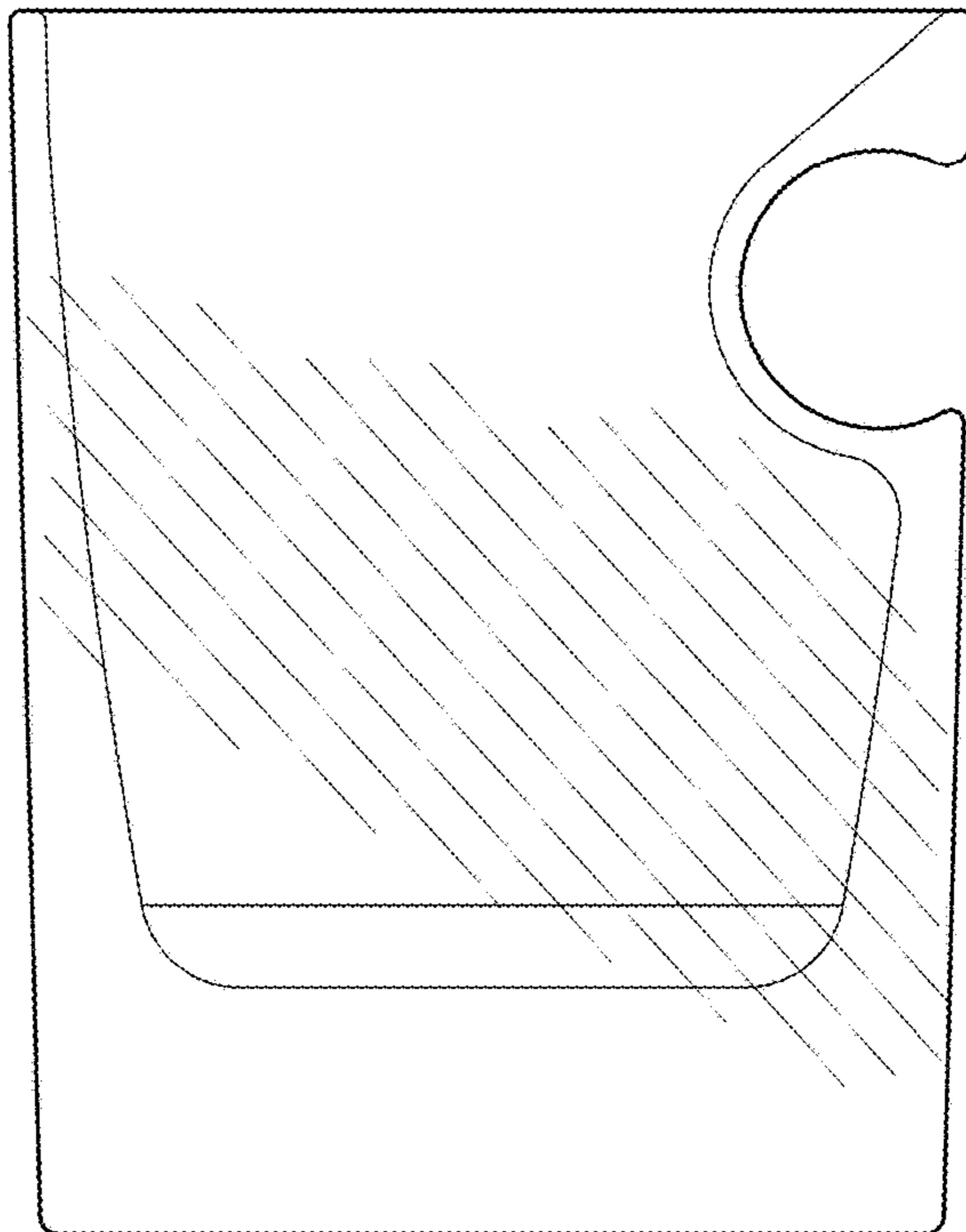


FIG. 5

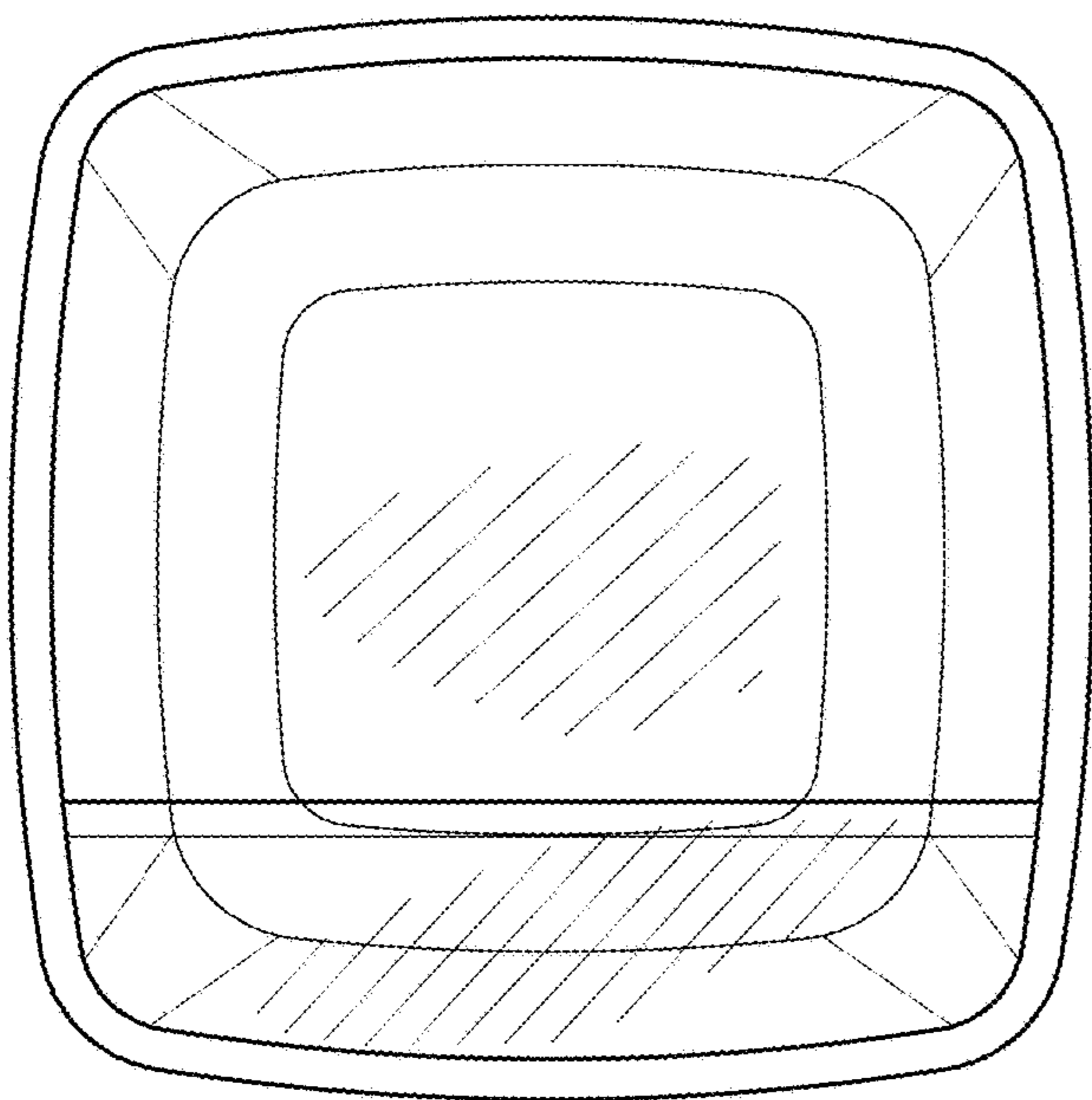


FIG. 6

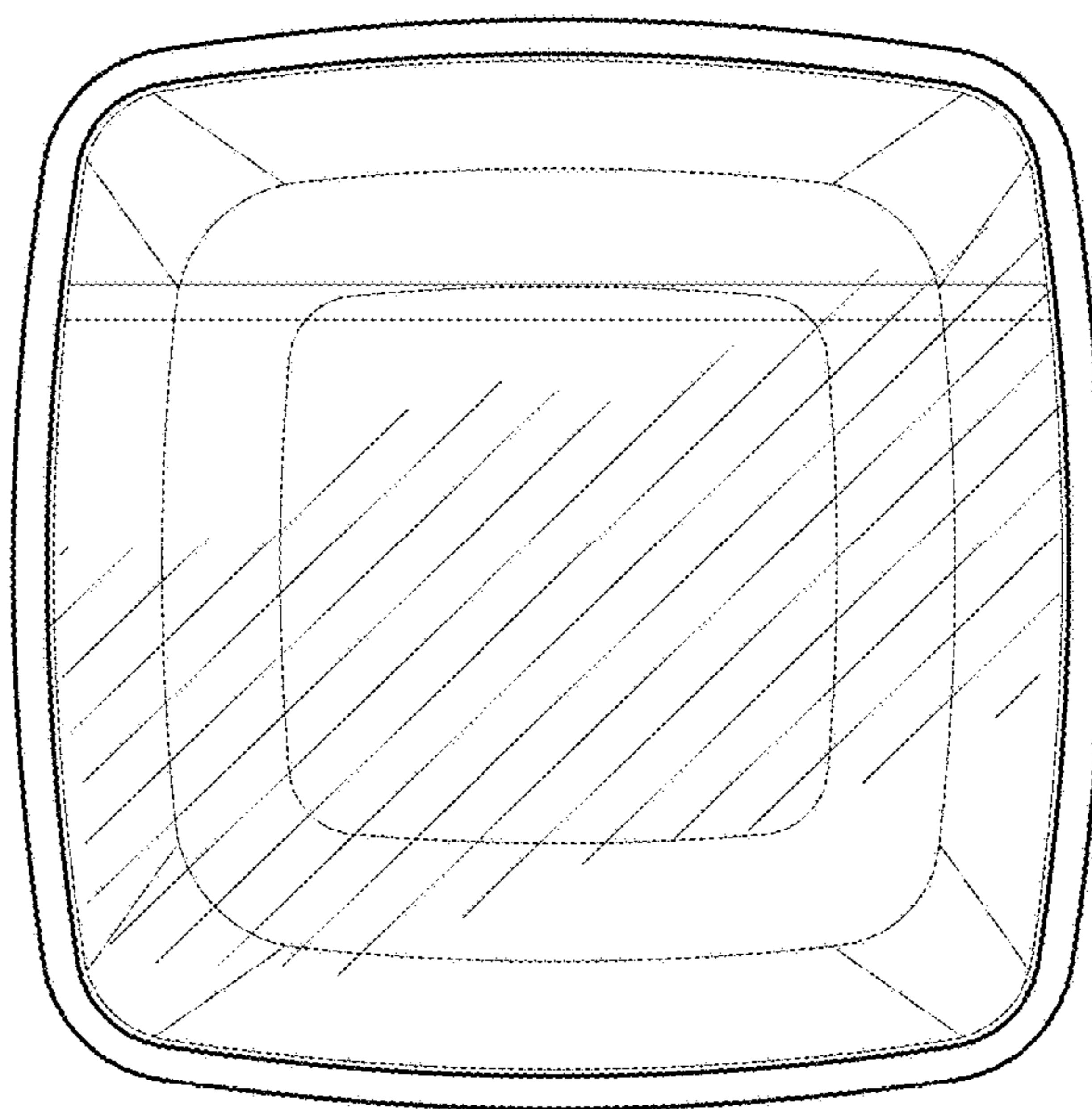


FIG. 7