



US00D800499S

(12) **United States Design Patent**  
**Repac**

(10) **Patent No.:** **US D800,499 S**

(45) **Date of Patent:** **\*\* Oct. 24, 2017**

- (54) **FOOD MIXER**
- (71) Applicant: **Genius GmbH**, Limburg (DE)
- (72) Inventor: **Cedomir Repac**, Brechen (DE)
- (73) Assignee: **GENIUS GMBH**, Limburg (DE)
- (\*\*) Term: **15 Years**

(21) Appl. No.: **29/564,174**

(22) Filed: **May 11, 2016**

(30) **Foreign Application Priority Data**

Nov. 11, 2015 (EM) ..... 002855247

(51) **LOC (10) Cl.** ..... **31-00**

(52) **U.S. Cl.**  
USPC ..... **D7/413**

(58) **Field of Classification Search**  
USPC ..... D7/300.1, 372-379, 384-385, 412-413,  
D7/619.1, 678-679  
CPC ... A21C 1/02; A21C 1/04; A47G 19/22; A47J  
43/04; A47J 43/25; A47J 43/27; A47J  
43/042; A23N 1/00; A23N 1/02  
See application file for complete search history.

(56) **References Cited**

**U.S. PATENT DOCUMENTS**

- D114,673 S \* 5/1939 Cravaritis ..... D7/300.1
- D281,945 S \* 12/1985 Boyce ..... D7/378
- D412,806 S \* 8/1999 Pierce ..... D7/300.1
- D413,226 S \* 8/1999 Barker ..... D7/379
- D487,668 S \* 3/2004 Sands ..... D7/378
- D501,372 S \* 2/2005 Lo ..... D7/372
- D501,759 S \* 2/2005 Sands ..... D7/378
- D517,862 S \* 3/2006 Sands ..... D7/396.2
- D518,994 S \* 4/2006 Lin ..... D7/378
- D519,321 S \* 4/2006 Sands ..... D7/378
- D521,802 S \* 5/2006 Sands ..... D7/396.2
- D523,293 S \* 6/2006 Disbrow ..... D7/619.1

- 7,066,640 B2 \* 6/2006 Sands ..... A47J 19/027  
366/205
- D532,255 S \* 11/2006 Sands ..... D7/396.2
- D536,216 S \* 2/2007 Sands ..... D7/378
- D554,427 S \* 11/2007 Sands ..... D7/378
- D572,076 S \* 7/2008 Ling ..... D7/384
- D712,196 S \* 9/2014 Ho ..... D7/378
- D734,988 S \* 7/2015 Smith ..... D7/376
- D737,629 S \* 9/2015 Sands ..... D7/376
- D747,915 S \* 1/2016 Kim ..... D7/372
- D760,026 S \* 6/2016 Smith ..... D7/376

(Continued)

*Primary Examiner* — Caron D Veynar

*Assistant Examiner* — Mehri Bajoul

(74) *Attorney, Agent, or Firm* — Hodgson Russ LLP

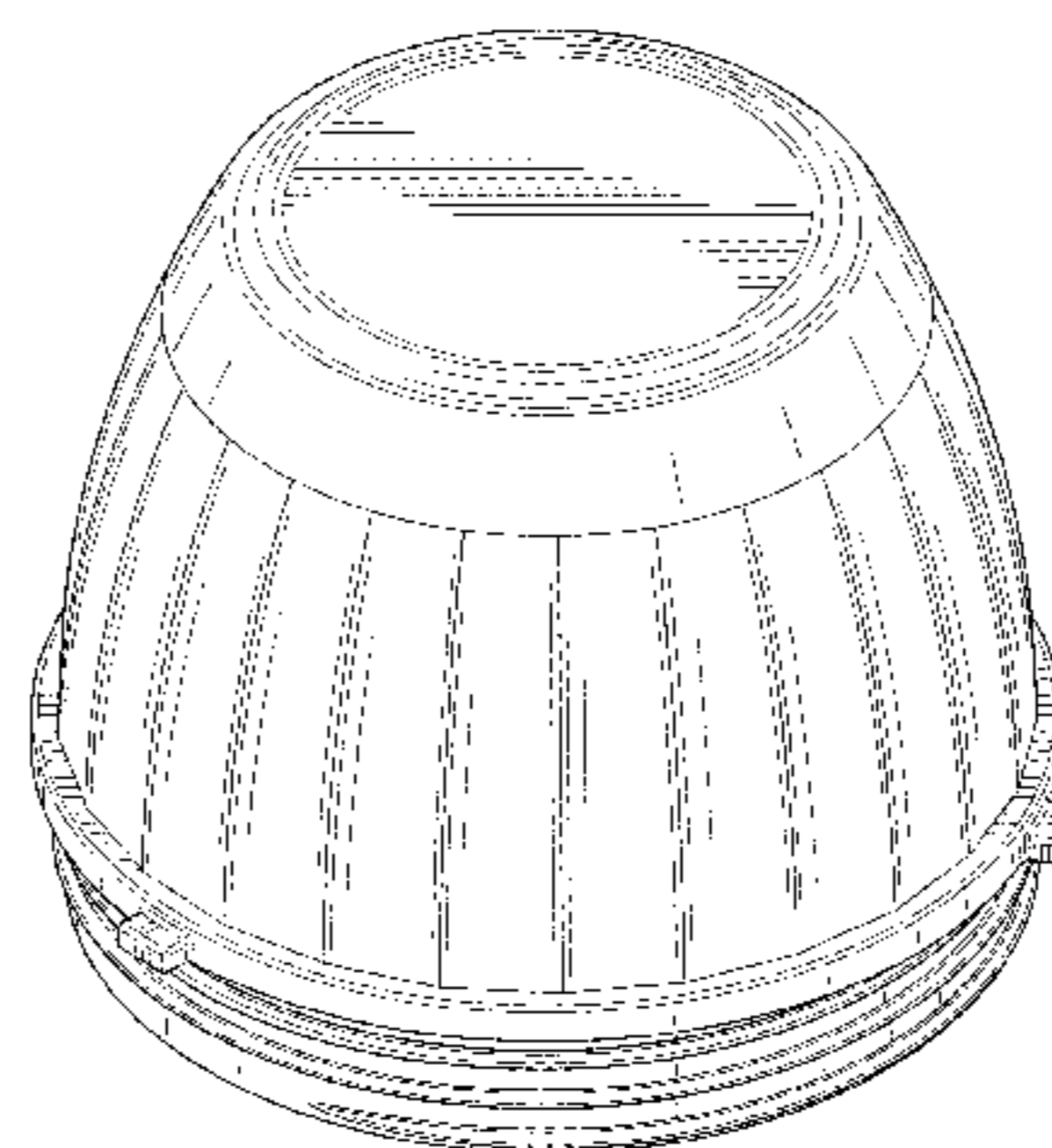
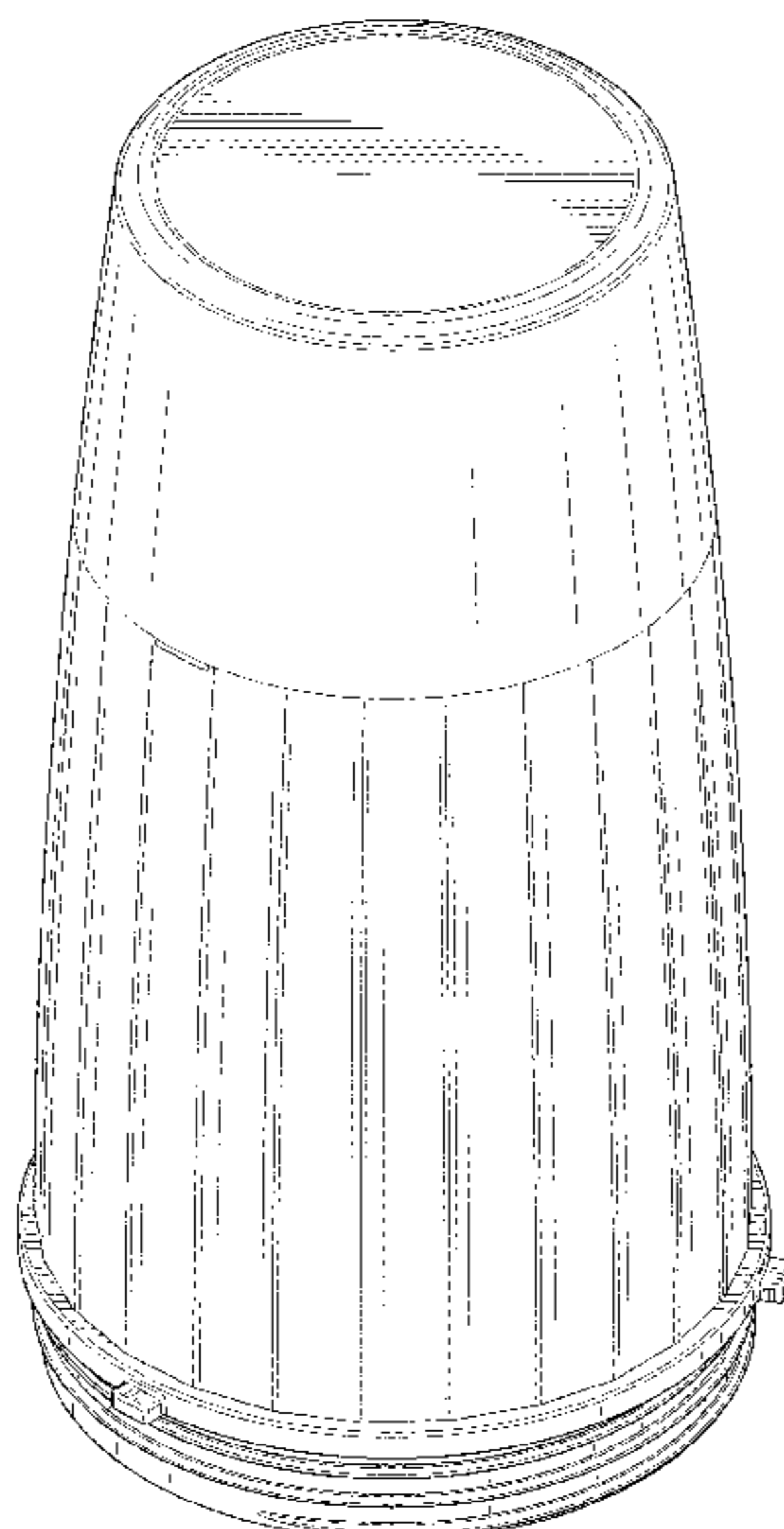
(57) **CLAIM**

The ornamental design for a food mixer, as shown and described.

**DESCRIPTION**

FIG. 1 is a perspective view according to a first embodiment of a food mixer showing my new design;  
 FIG. 2 is a right side view thereof;  
 FIG. 3 is a left side view thereof;  
 FIG. 4 is a front view thereof;  
 FIG. 5 is a rear view thereof;  
 FIG. 6 is a top view thereof;  
 FIG. 7 is a bottom view thereof;  
 FIG. 8 is a perspective view according to a second embodiment of a food mixer;  
 FIG. 9 is a right side view thereof;  
 FIG. 10 is a left side view thereof;  
 FIG. 11 is a front view thereof;  
 FIG. 12 is a rear view thereof;  
 FIG. 13 is a top view thereof; and,  
 FIG. 14 is a bottom view thereof.  
 The broken lines illustrate unclaimed portions of the food mixer that form no part of the claimed design.

**1 Claim, 14 Drawing Sheets**



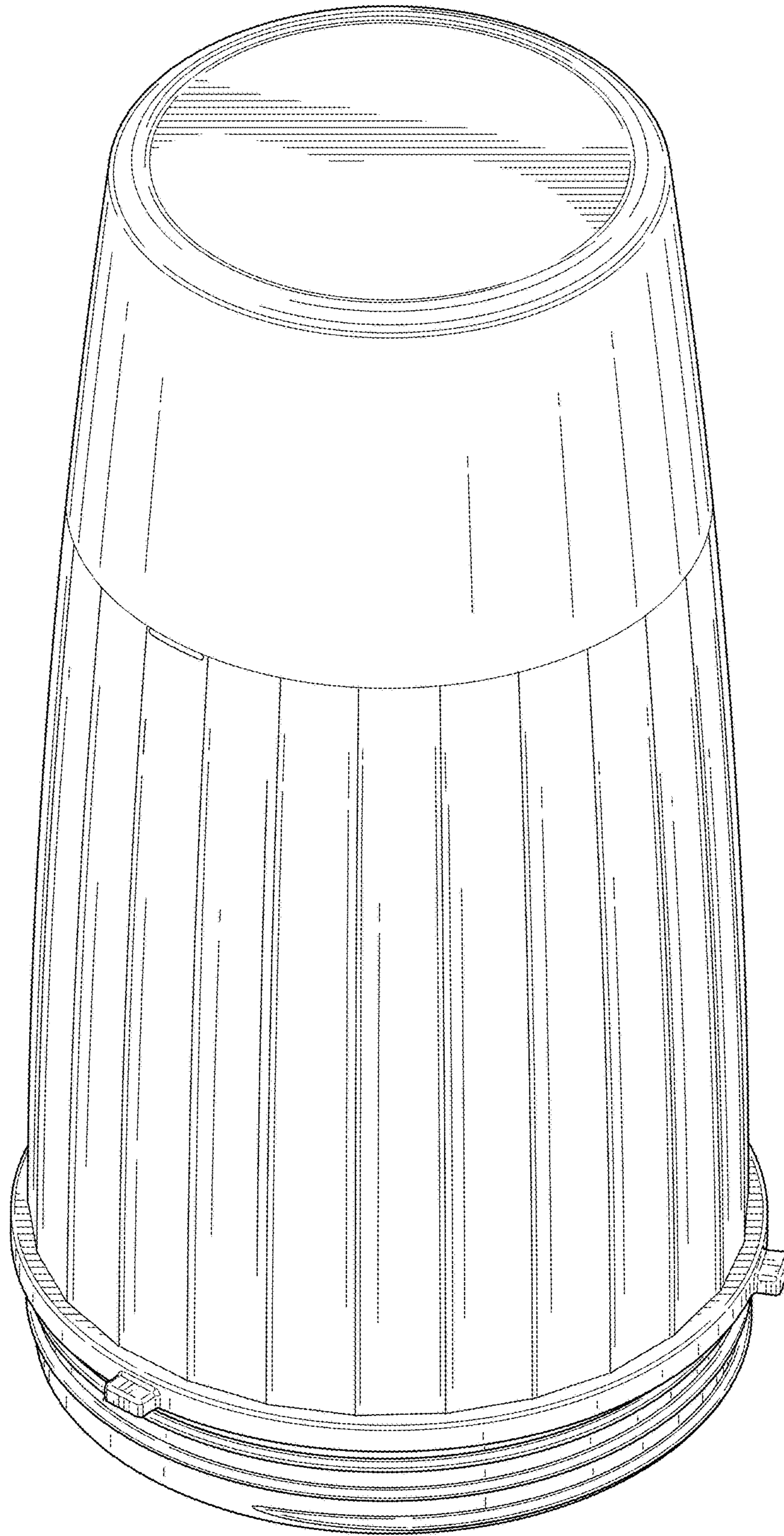
(56)

**References Cited**

U.S. PATENT DOCUMENTS

D767,333 S \* 9/2016 Picozza ..... D7/376  
D775,892 S \* 1/2017 Smith ..... D7/376

\* cited by examiner



**FIG. 1**

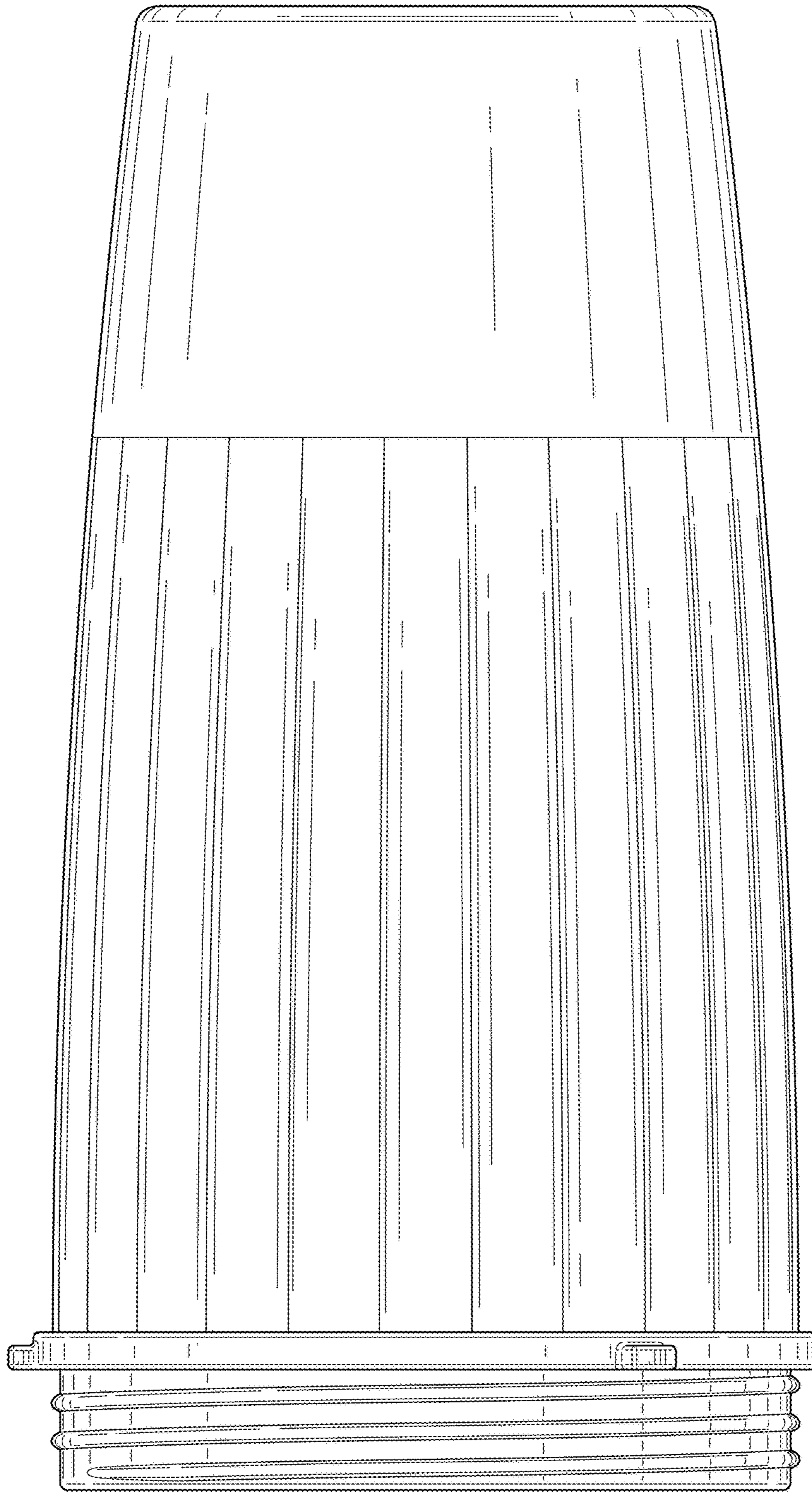
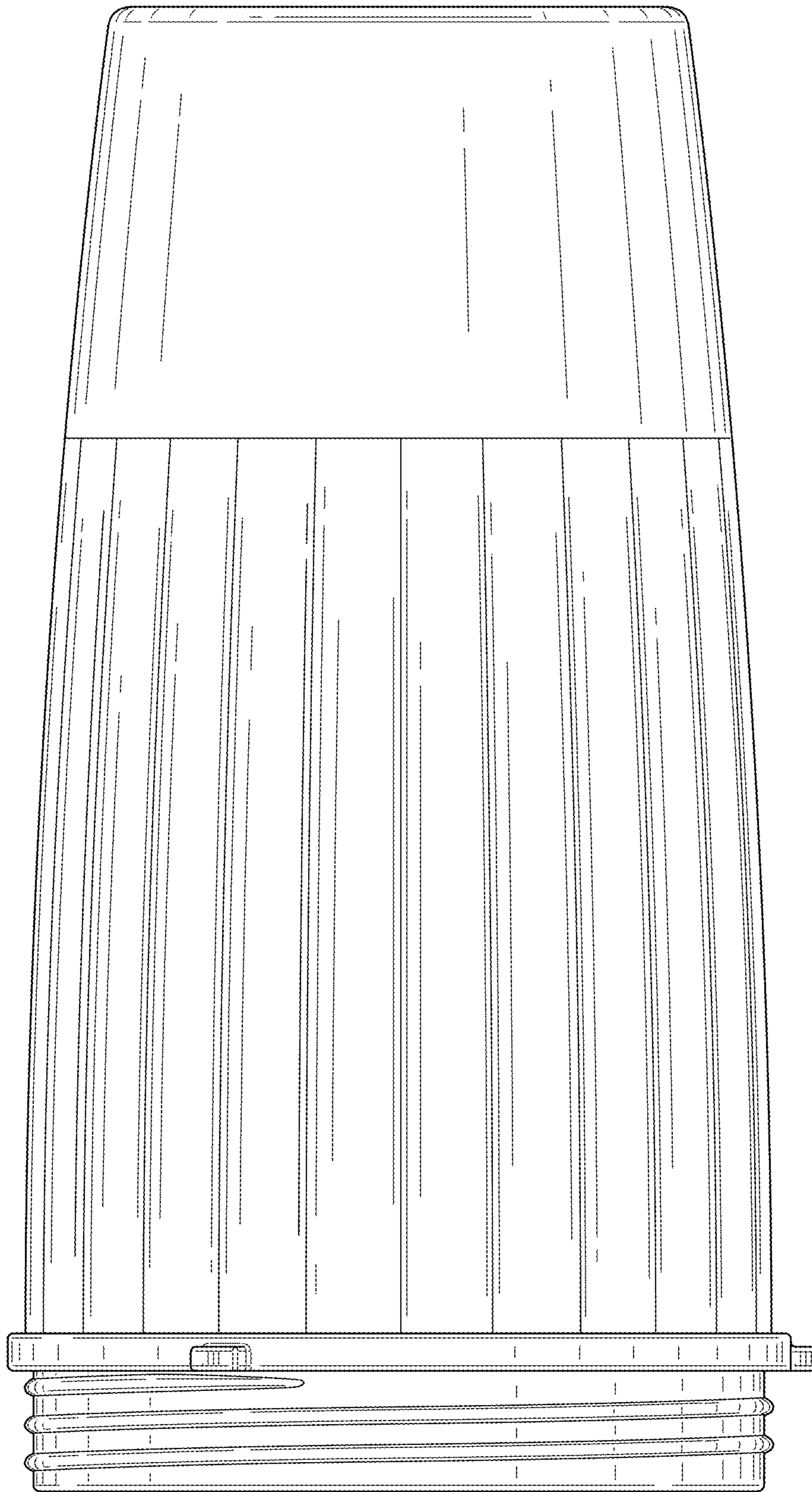


FIG. 2



**FIG. 3**

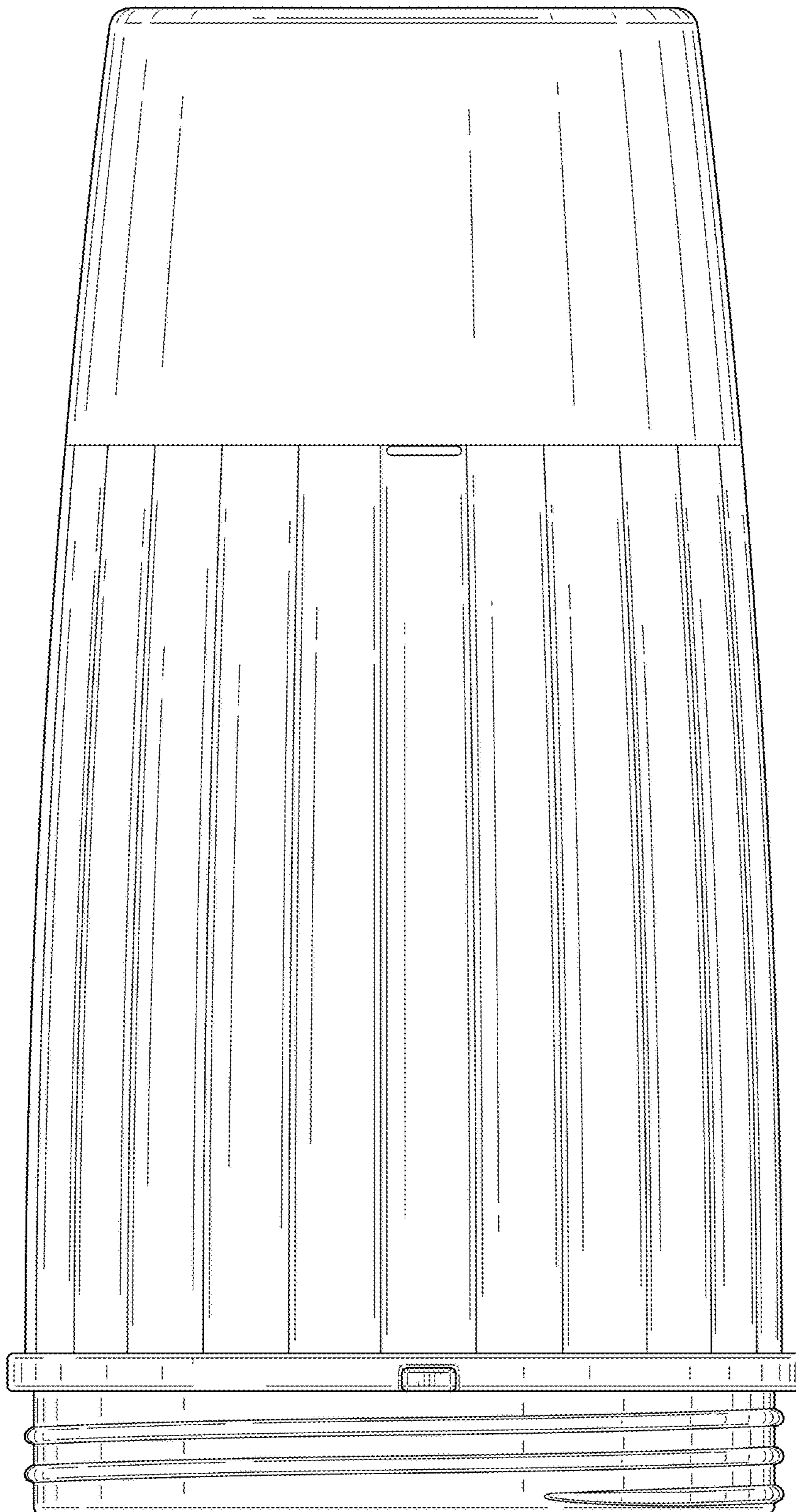


FIG. 4

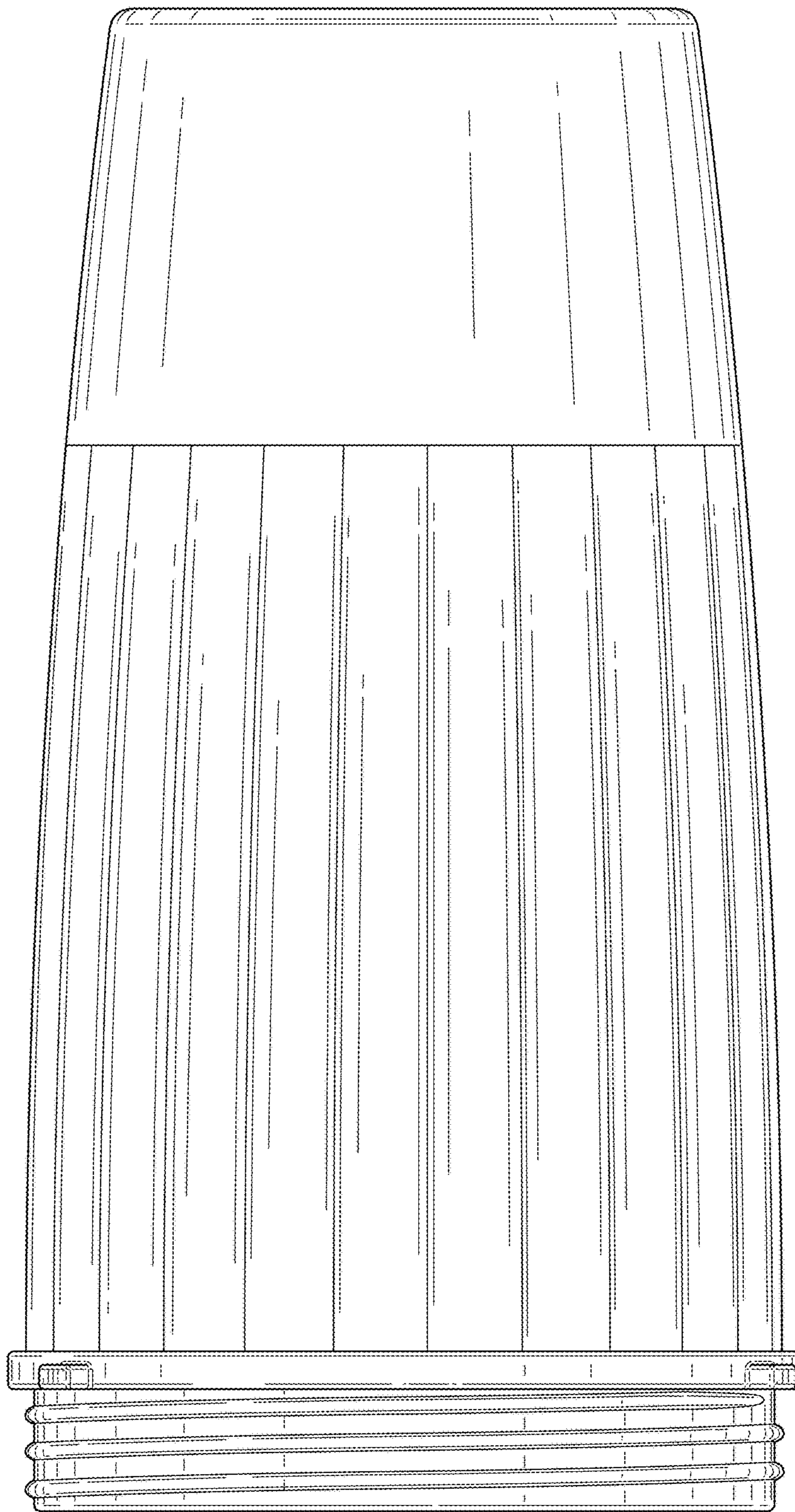
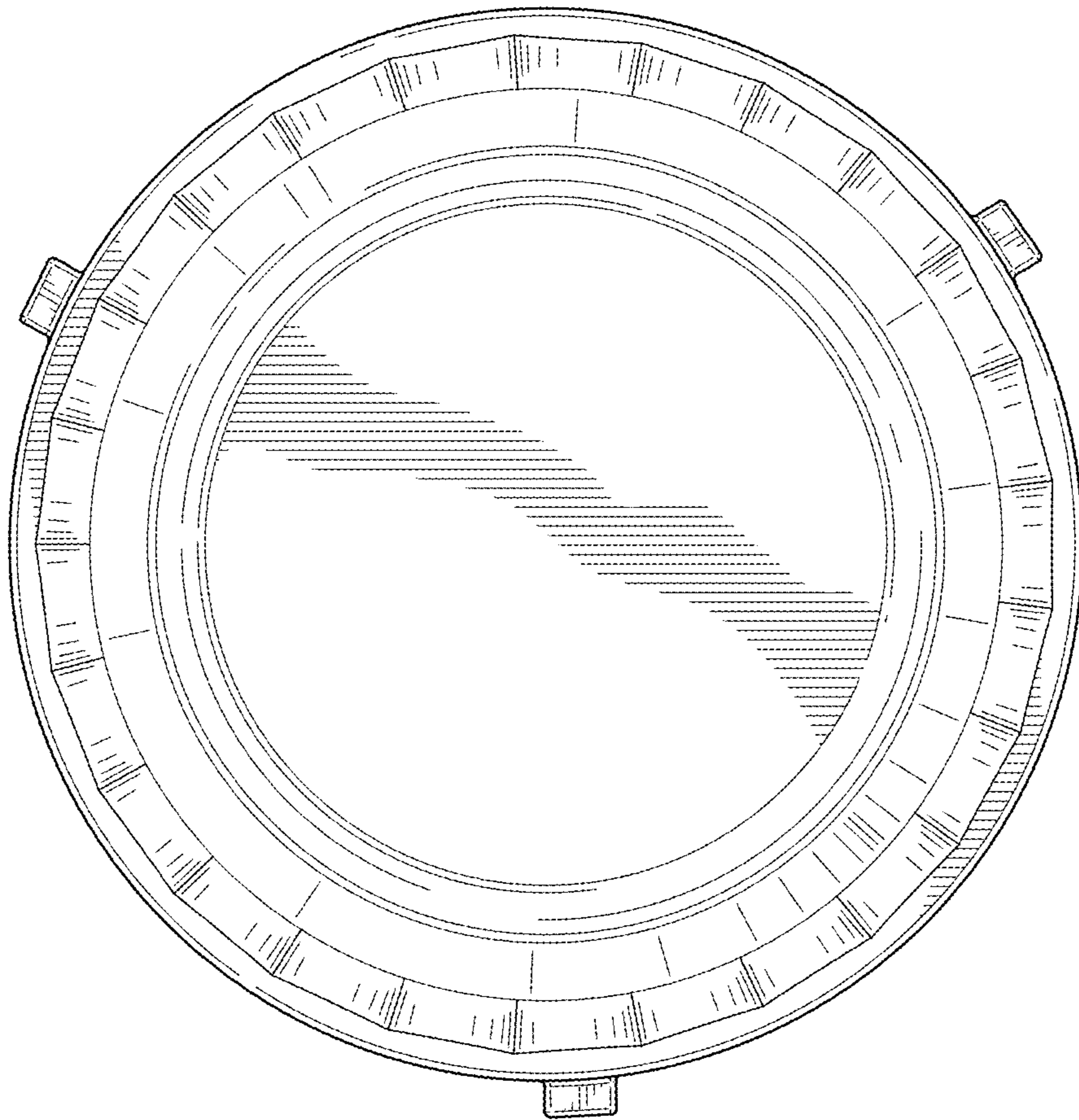
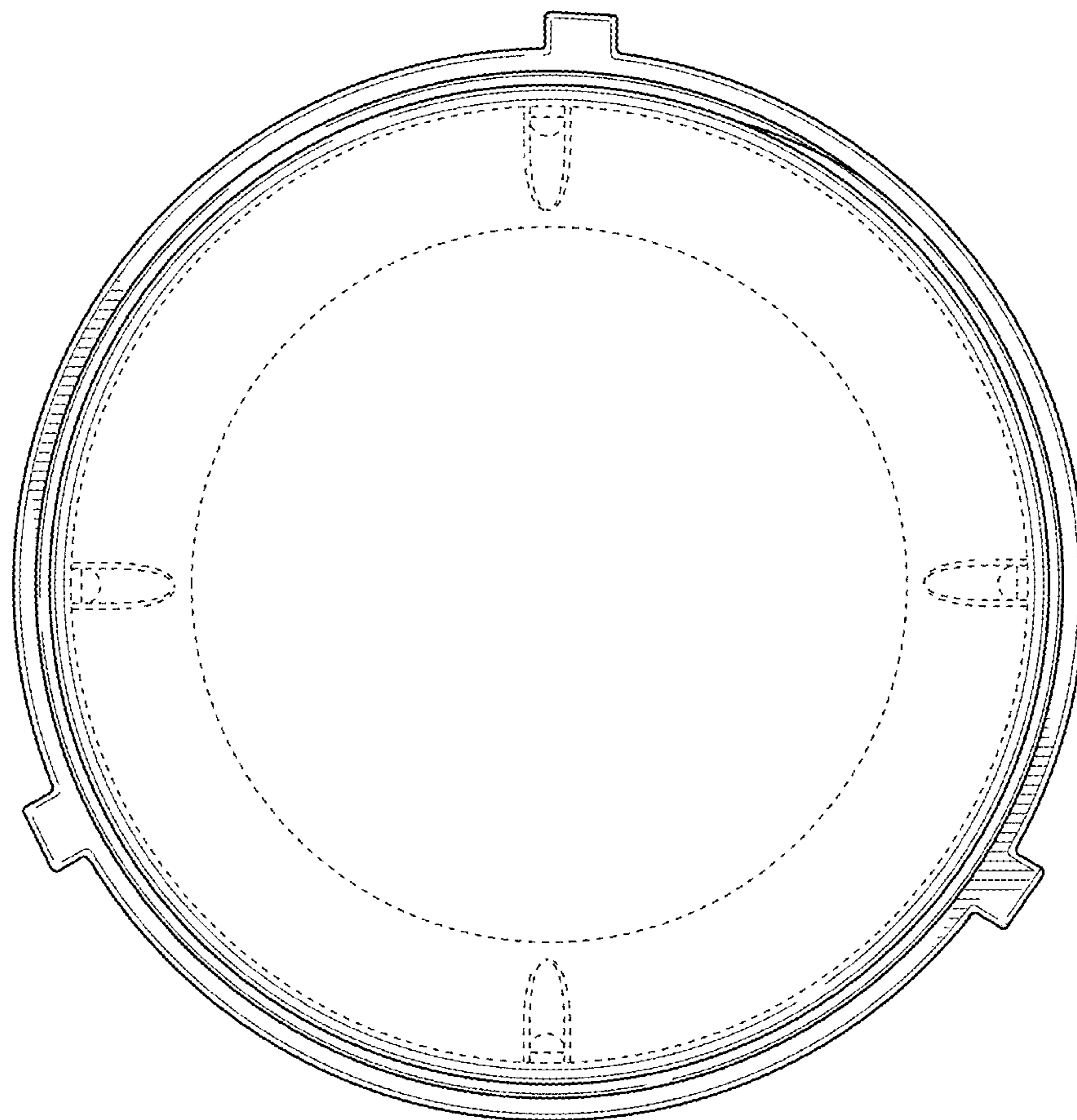


FIG. 5

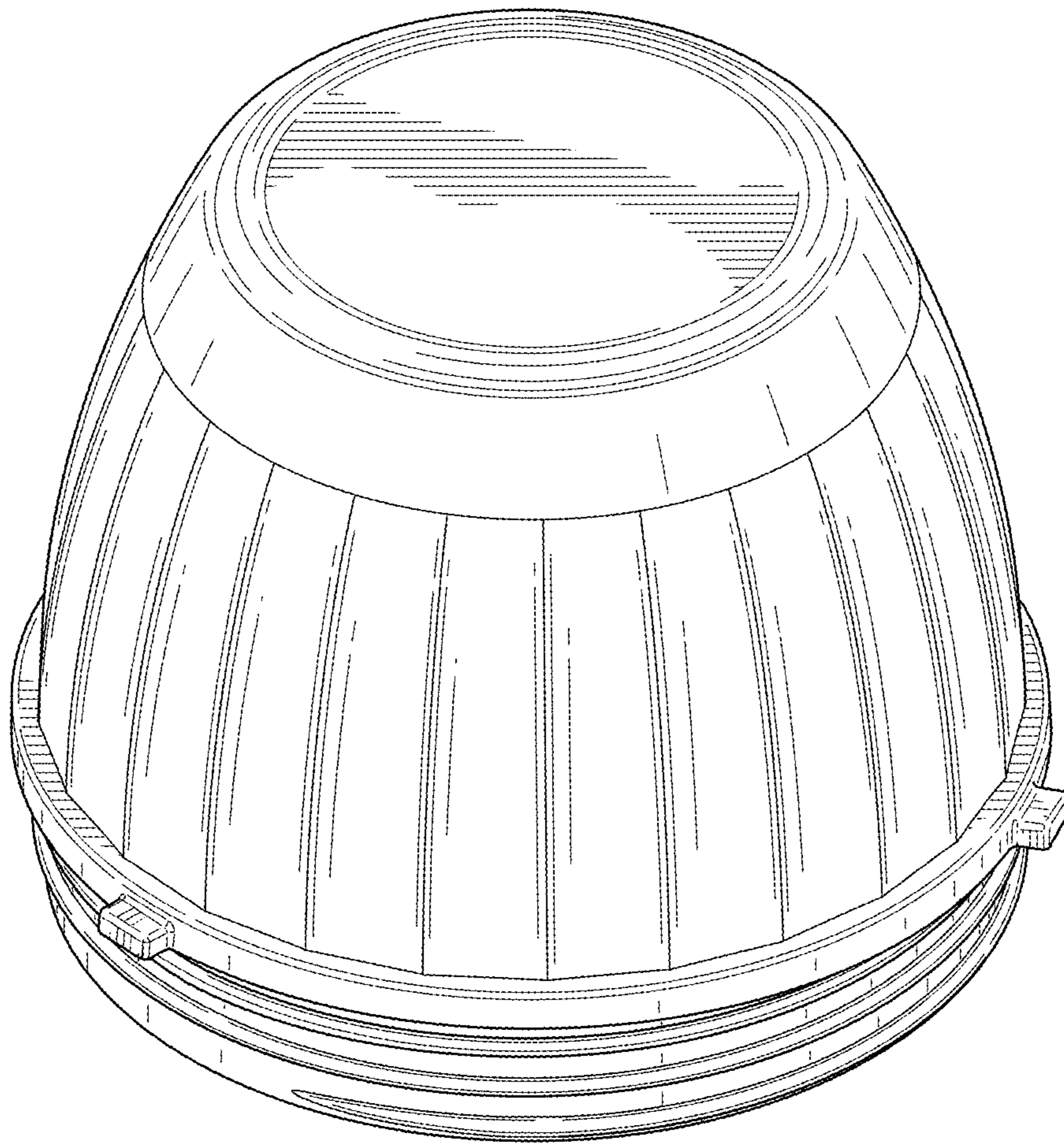


**FIG. 6**

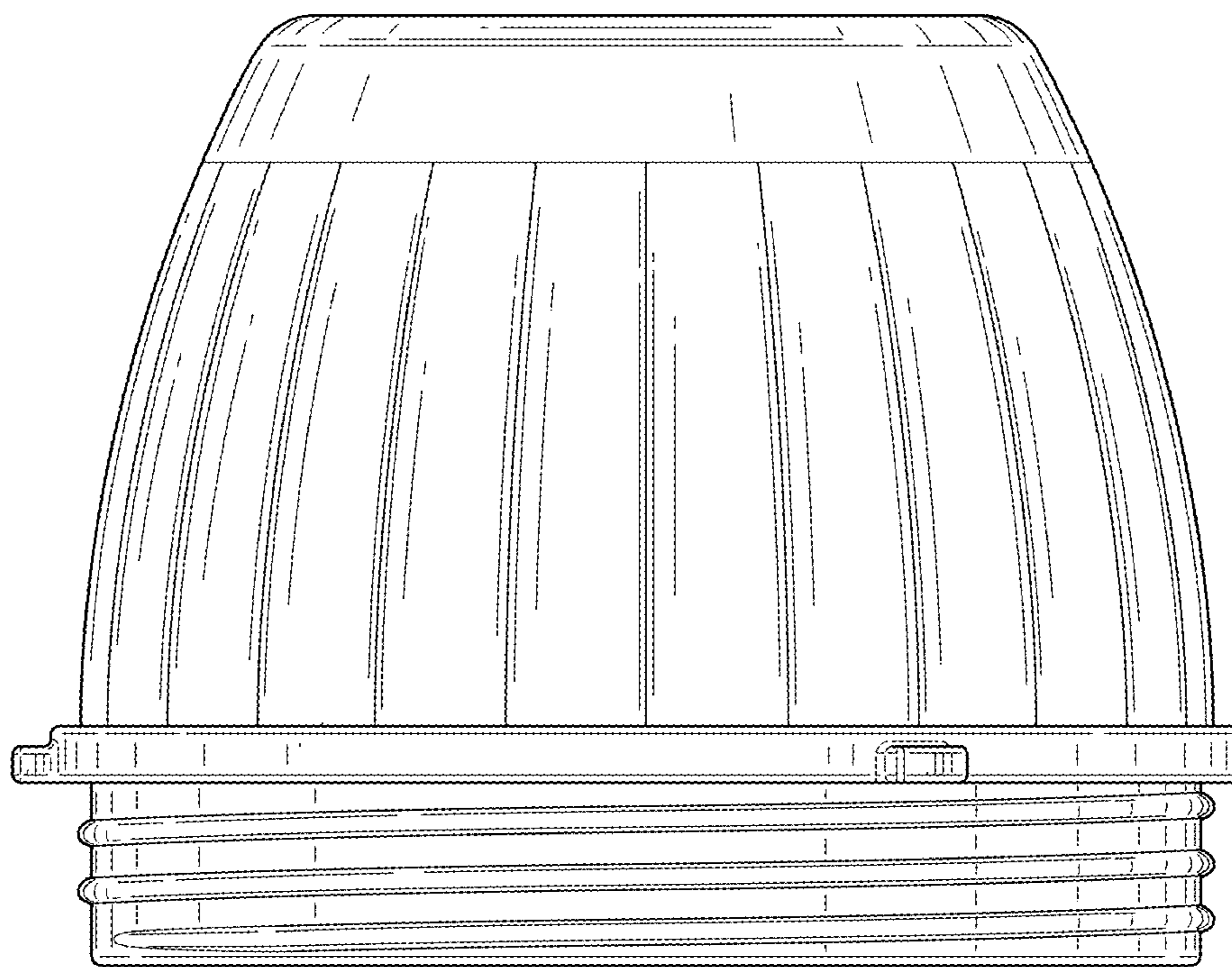




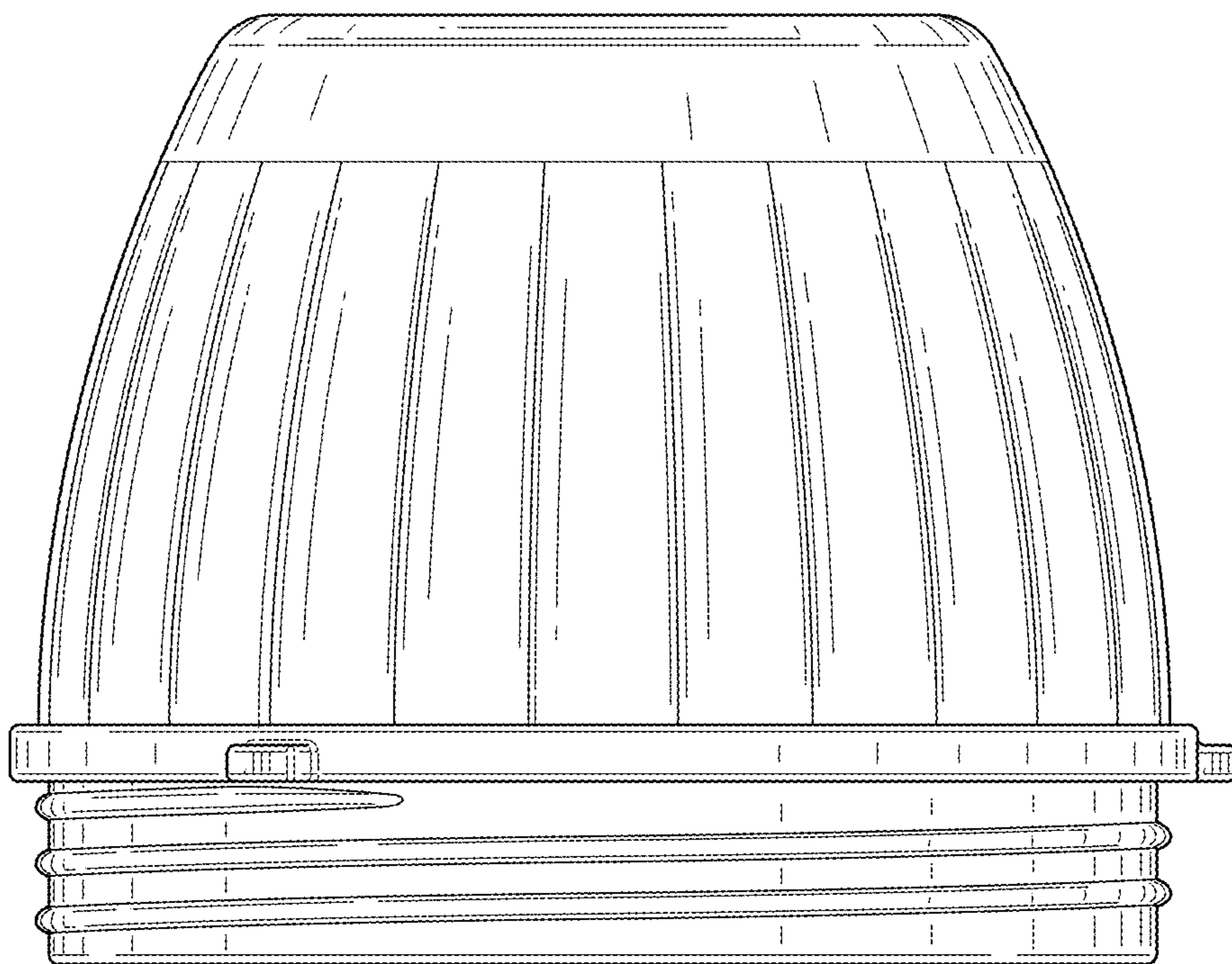
**FIG. 7**



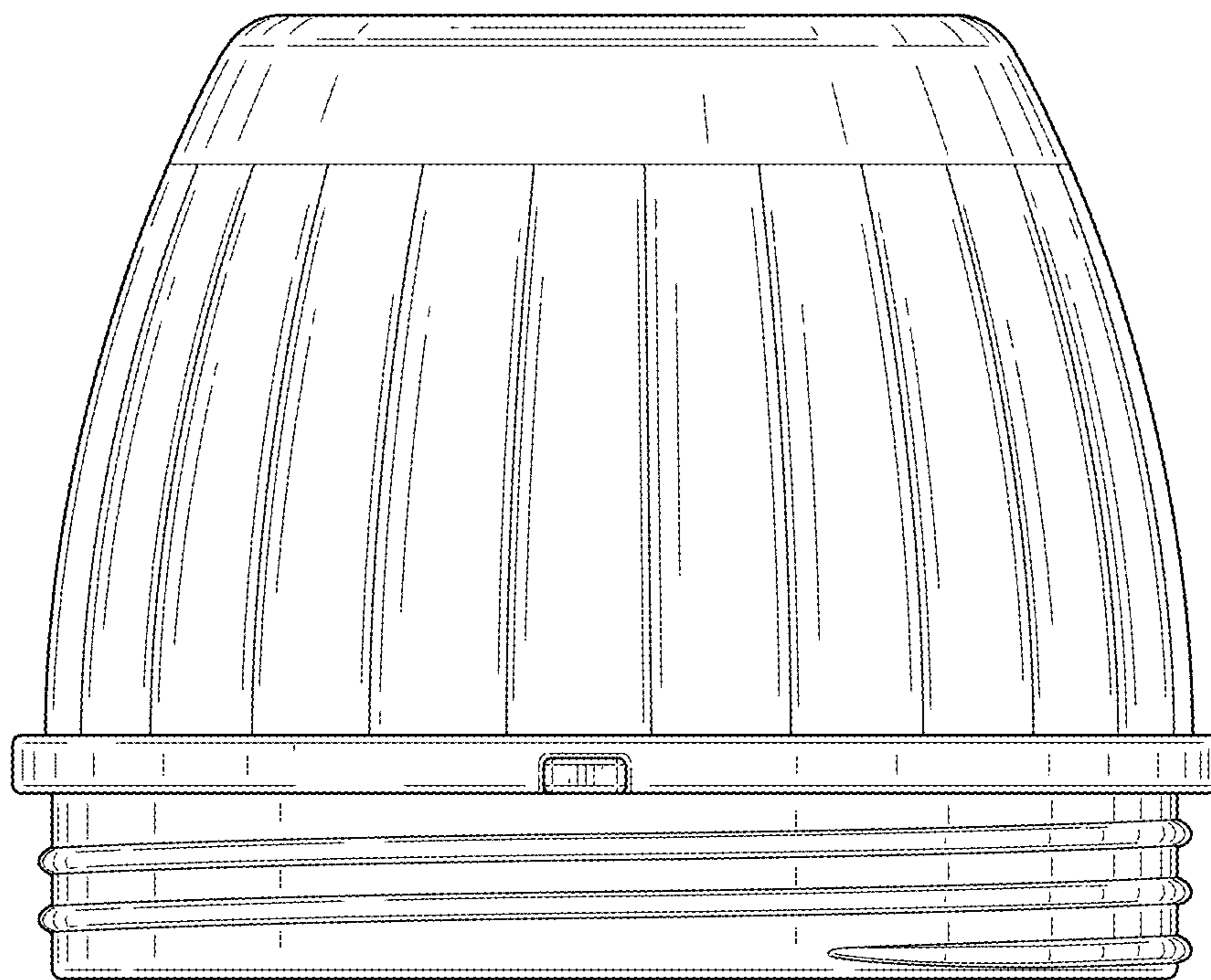
**FIG. 8**



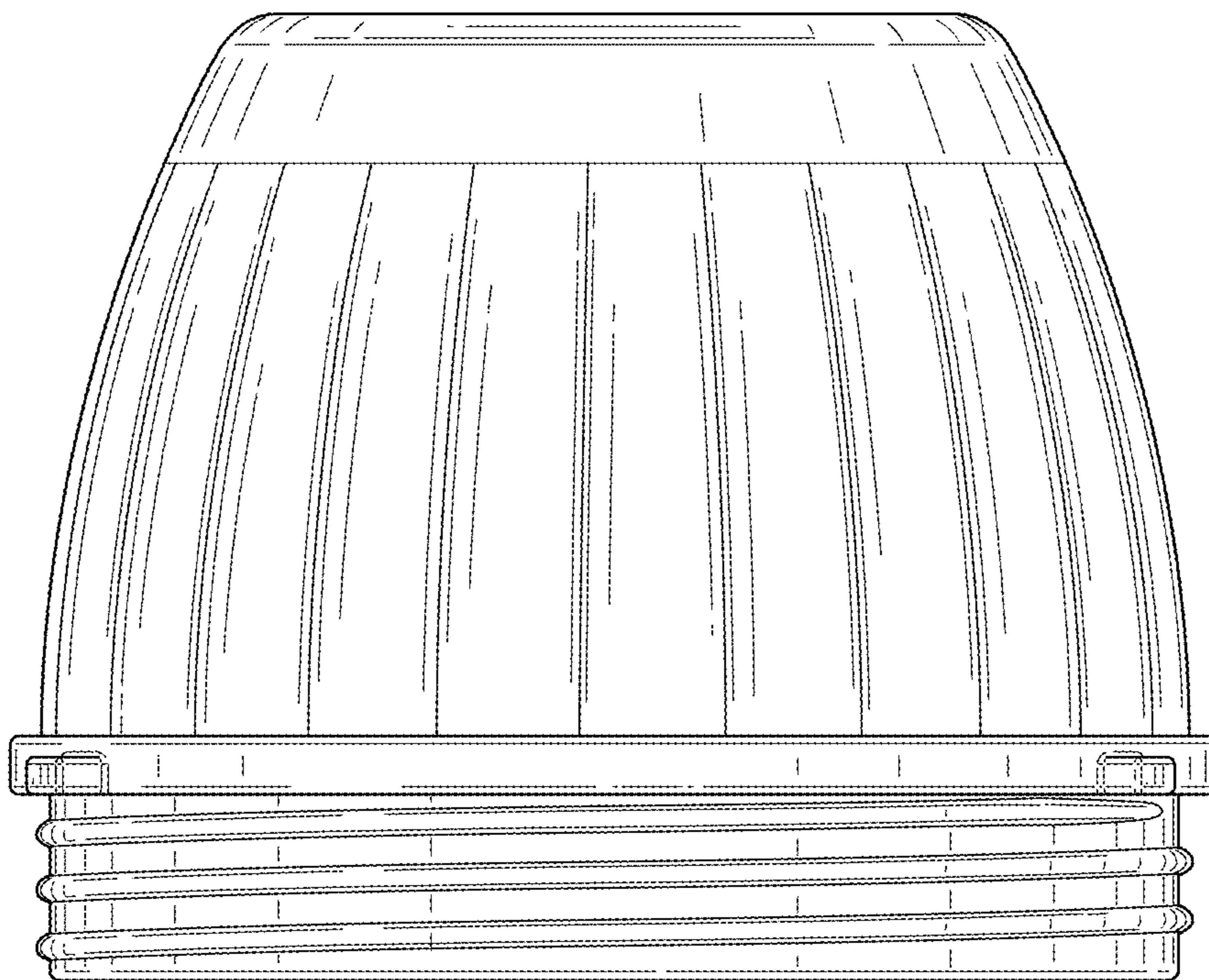
**FIG. 9**



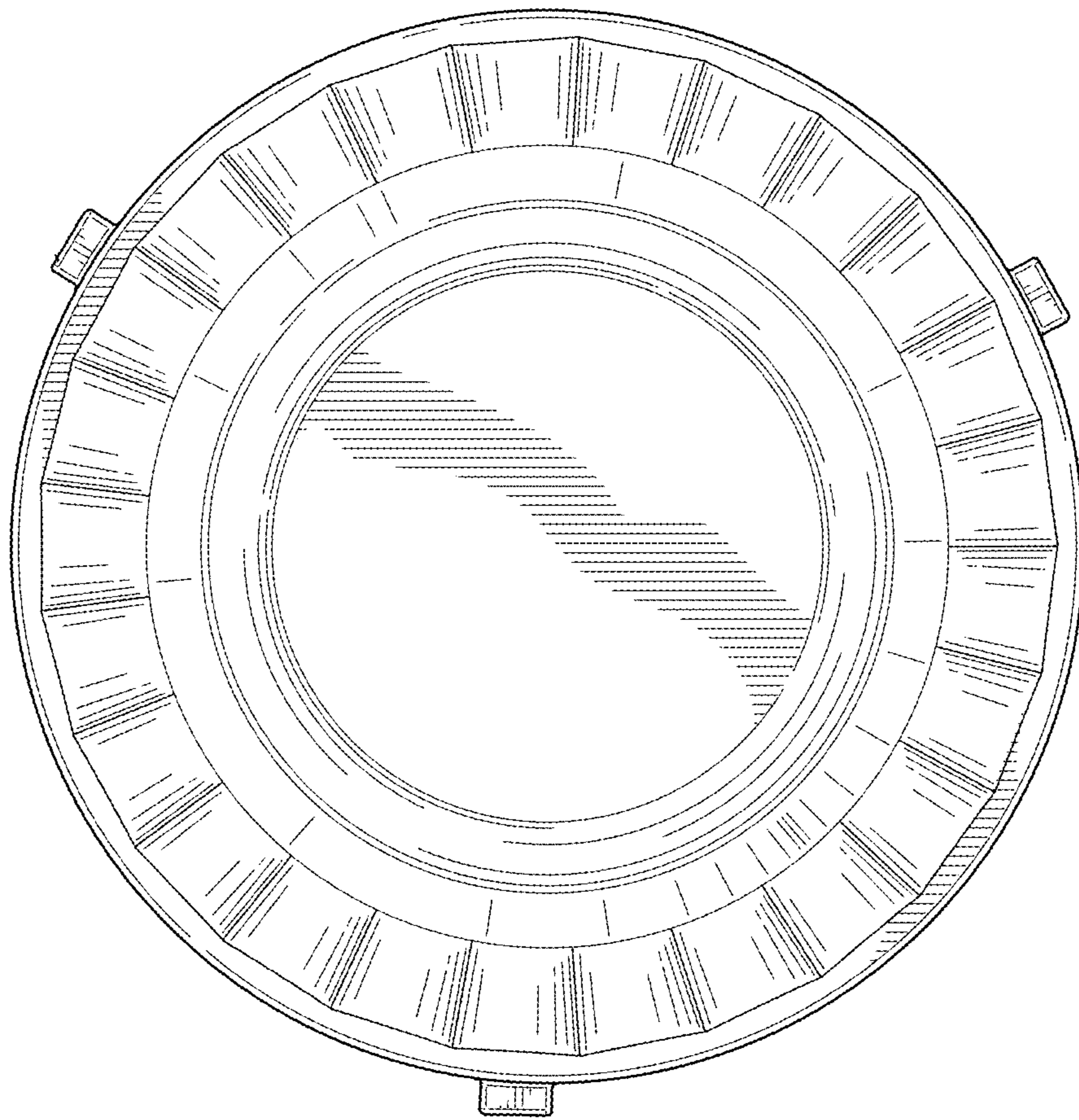
**FIG. 10**



**FIG. 11**



**FIG. 12**



**FIG. 13**

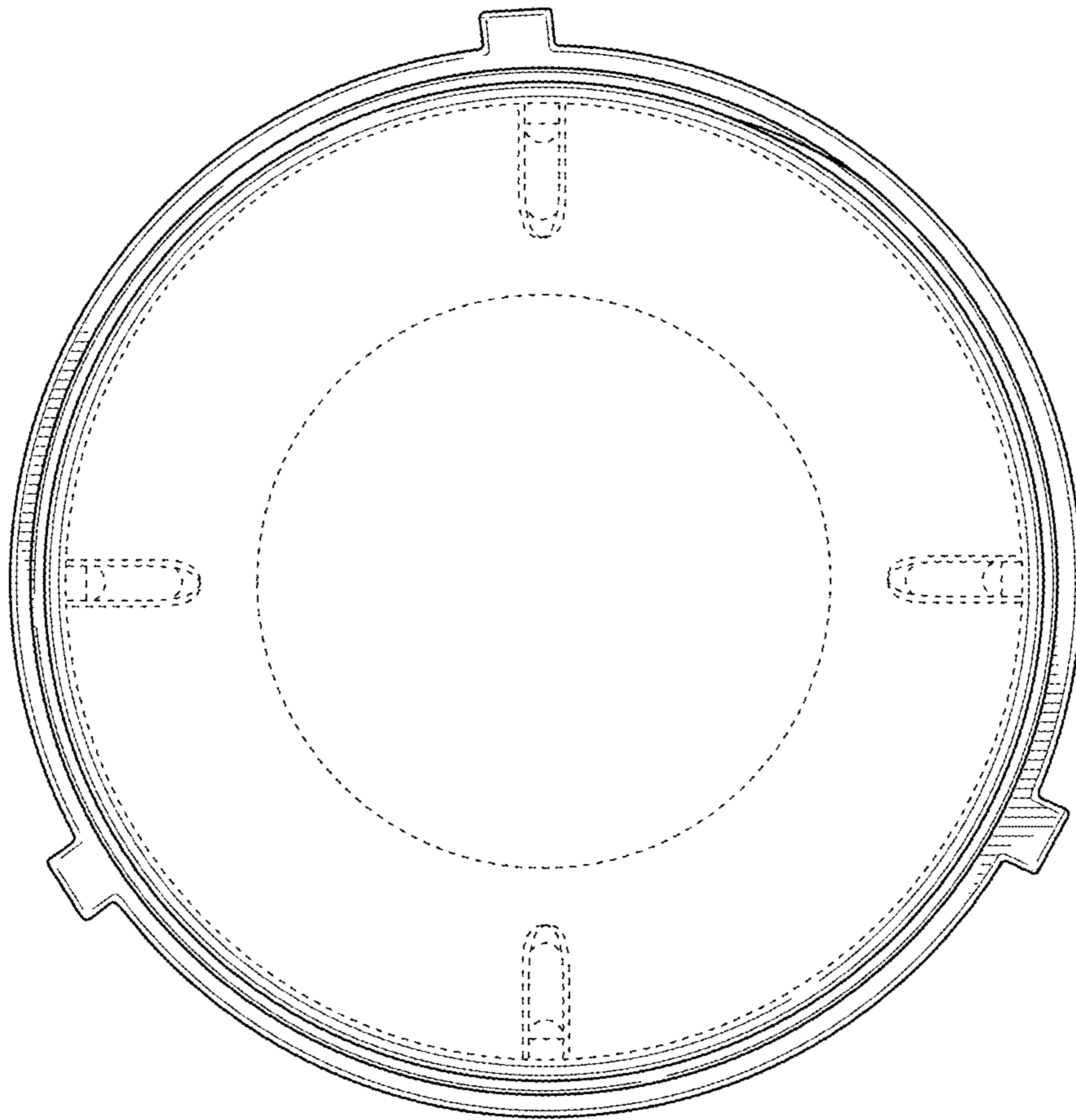


FIG. 14