



US00D800495S

(12) **United States Design Patent**
Tokunaga

(10) **Patent No.:** **US D800,495 S**

(45) **Date of Patent:** **** Oct. 24, 2017**

(54) **COMBINATION CUP LID AND CAP**

(71) Applicant: **Shinta! Co., Ltd.**, Tokyo (JP)

(72) Inventor: **Shintaro Tokunaga**, Tokyo (JP)

(73) Assignee: **Shinta! Co. LTD.**, Tokyo (JP)

(**) Term: **15 Years**

(21) Appl. No.: **29/565,960**

(22) Filed: **May 25, 2016**

(30) **Foreign Application Priority Data**

Nov. 27, 2015 (JP) 2015-026567

(51) **LOC (10) Cl.** **07-99**

(52) **U.S. Cl.**
USPC **D7/396.2**

(58) **Field of Classification Search**
USPC D7/396.2, 396.1; 220/254.5, 254.3, 711,
220/713, 780; 229/404, 906.1
CPC A47G 19/22; B65D 3/06; B65D 43/02;
B65D 43/0212; B65D 47/14; B65D 47/12
See application file for complete search history.

(56) **References Cited**

U.S. PATENT DOCUMENTS

- 4,925,051 A * 5/1990 Herbst B65D 47/10
220/266
- D493,718 S * 8/2004 Durdon D9/435
- D537,717 S * 3/2007 Notarianni D9/447
- D570,685 S * 6/2008 Koennecke D9/447
- 7,819,271 B2 * 10/2010 Hollis B65D 43/0212
220/254.3
- 8,313,002 B2 * 11/2012 Tokunaga A47G 19/2205
220/254.1

- D732,956 S * 6/2015 Brown D9/447
- D752,436 S * 3/2016 Crudginton D9/434
- 2014/0332548 A1 * 11/2014 Bratsch B65D 17/506
220/796
- 2016/0270571 A1 * 9/2016 Wang A47G 19/2272

* cited by examiner

Primary Examiner — Daniel Bui

Assistant Examiner — Andrew Kerr

(74) *Attorney, Agent, or Firm* — Muskin & Farmer LLC

(57) **CLAIM**

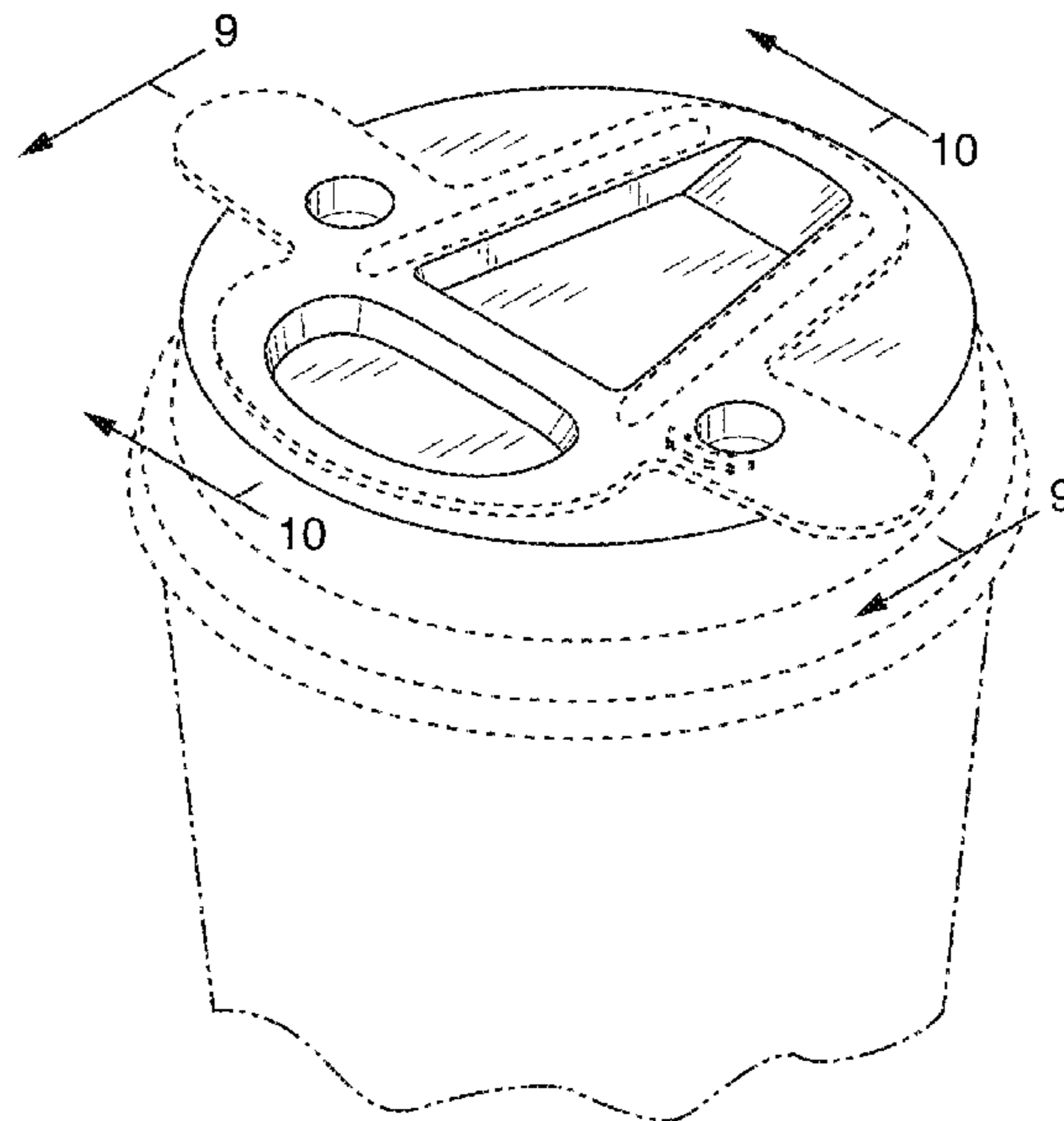
The ornamental design for a combination cup lid and cap, and shown and described.

DESCRIPTION

FIG. 1 is a perspective top view of a combination cup lid and cap, showing my new design;
 FIG. 2 is an exploded perspective view thereof;
 FIG. 3 is a front side view thereof;
 FIG. 4 is a side view thereof;
 FIG. 5 is a rear side view thereof;
 FIG. 6 is another side view thereof;
 FIG. 7 is a top plan view thereof;
 FIG. 8 is a bottom plan view thereof;
 FIG. 9 is a cross-sectional view thereof taken along 9-9 of FIG. 1; and,
 FIG. 10 is a cross-sectional view thereof taken along 10-10 of FIG. 1.

The broken lines are for the purpose of illustrating portions of the article and forms no part of the claimed design.
 The surface shading is provided only to indicate the character and/or any contour or curvature of the surfaces. They do not indicate color, texture, markings that actually exist thereon, indicia, graphic representations, surface treatment, or any other ornamentation applied to the article.

1 Claim, 5 Drawing Sheets



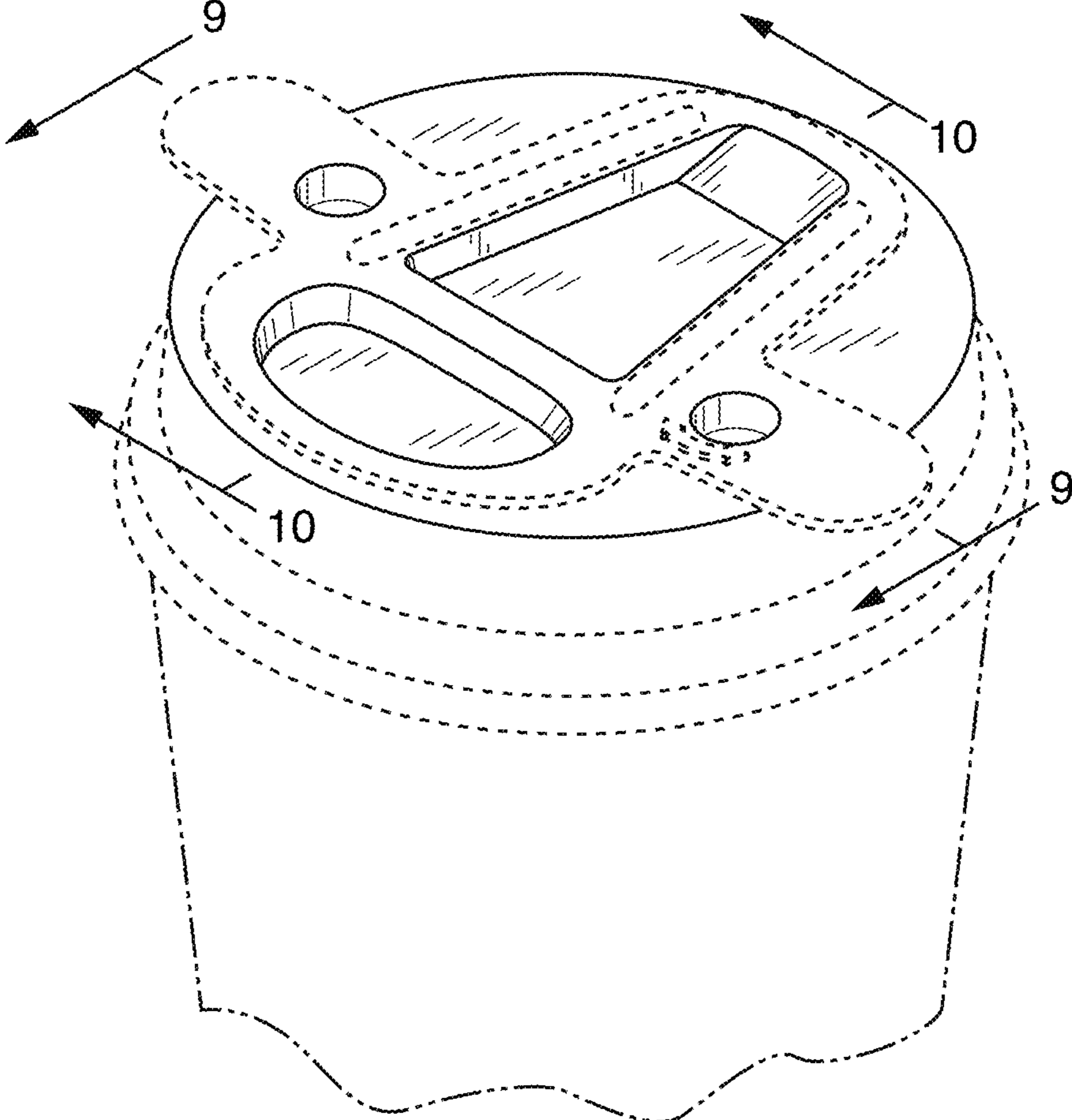
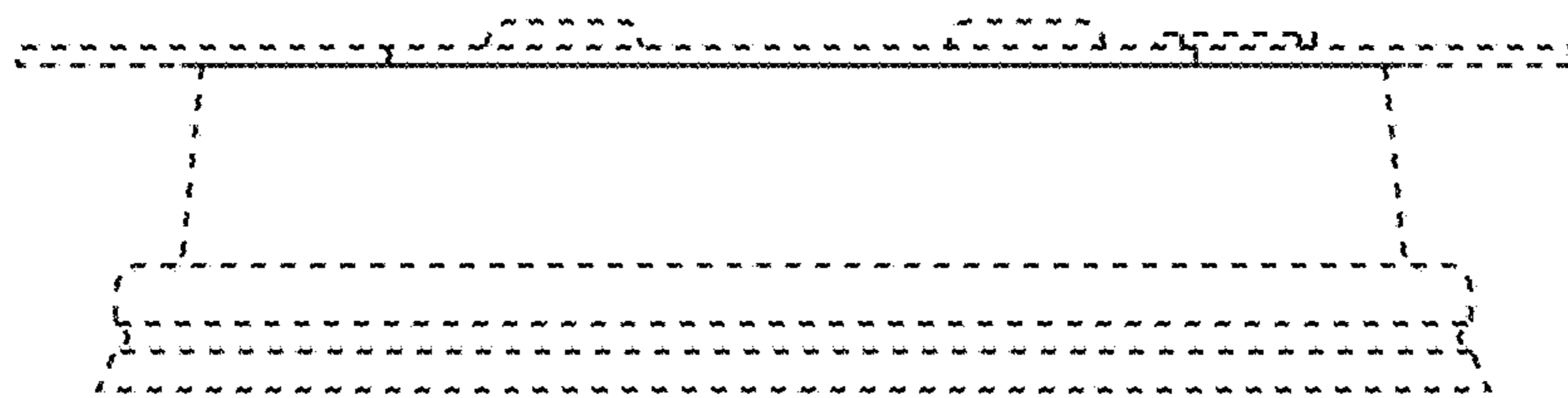
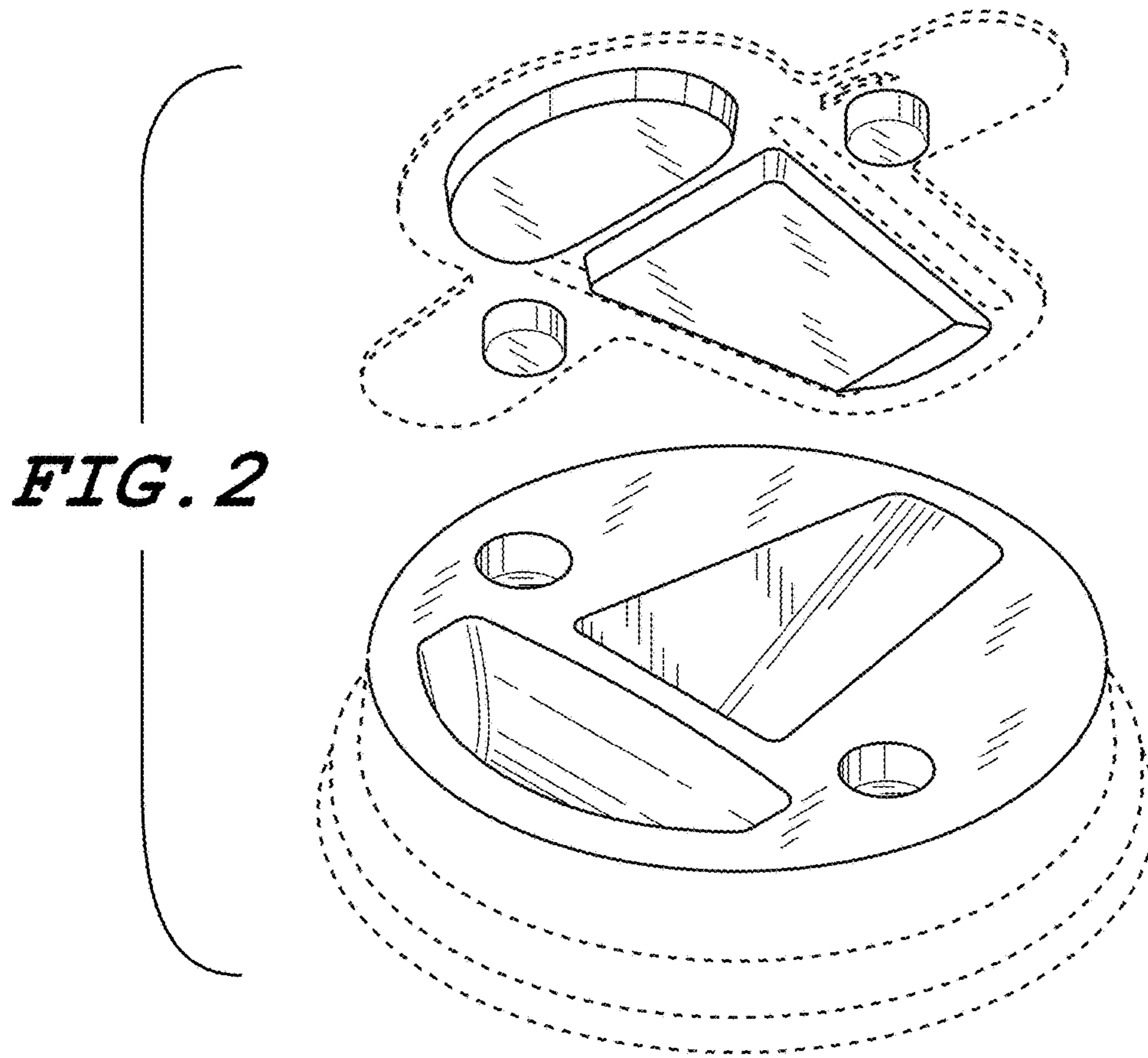


FIG. 1



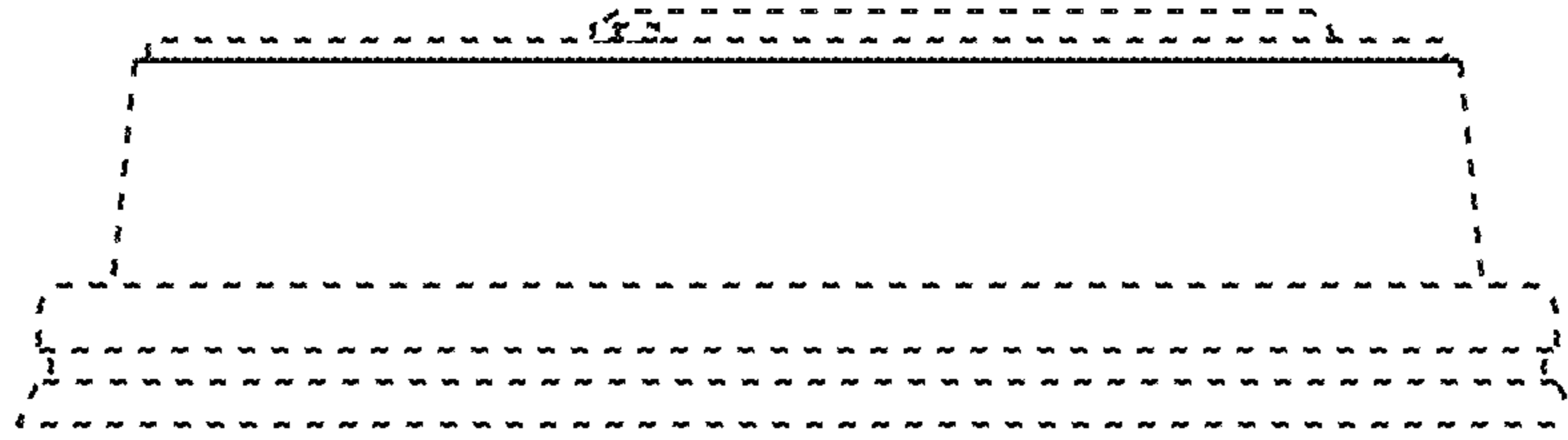


FIG. 4

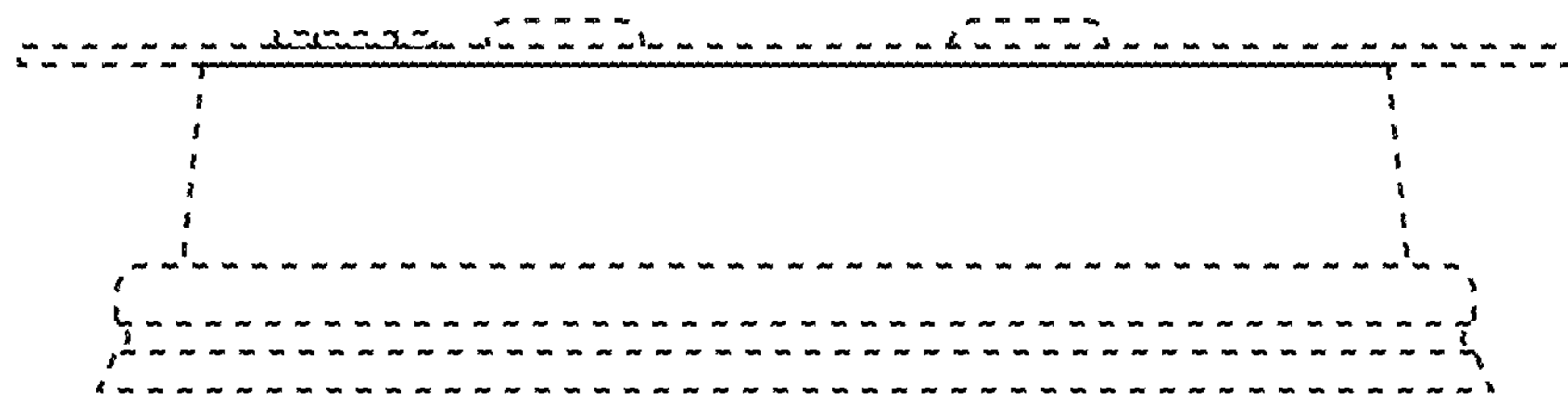


FIG. 5

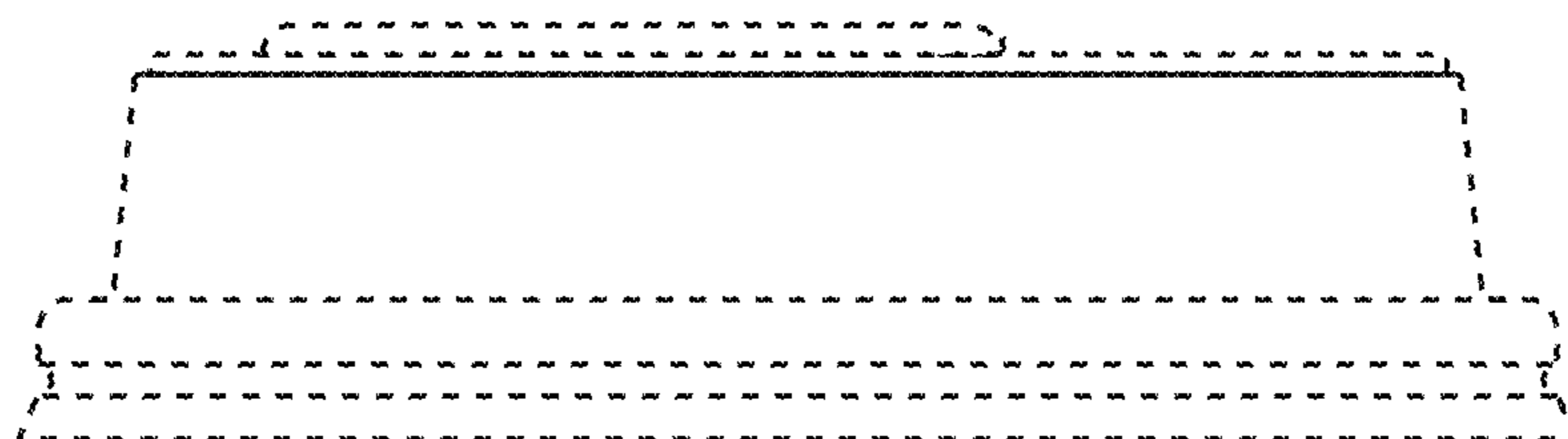


FIG. 6

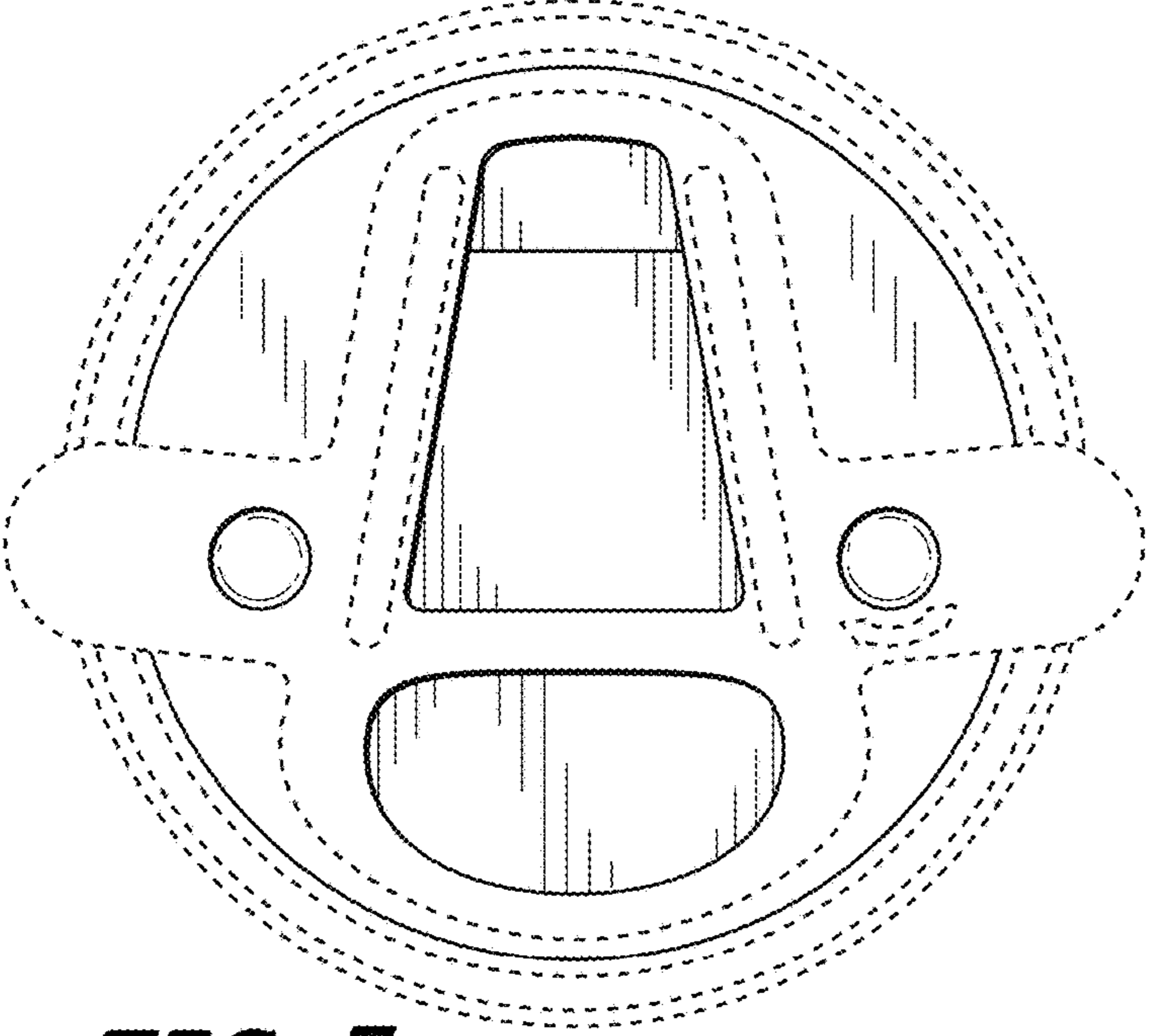


FIG. 7

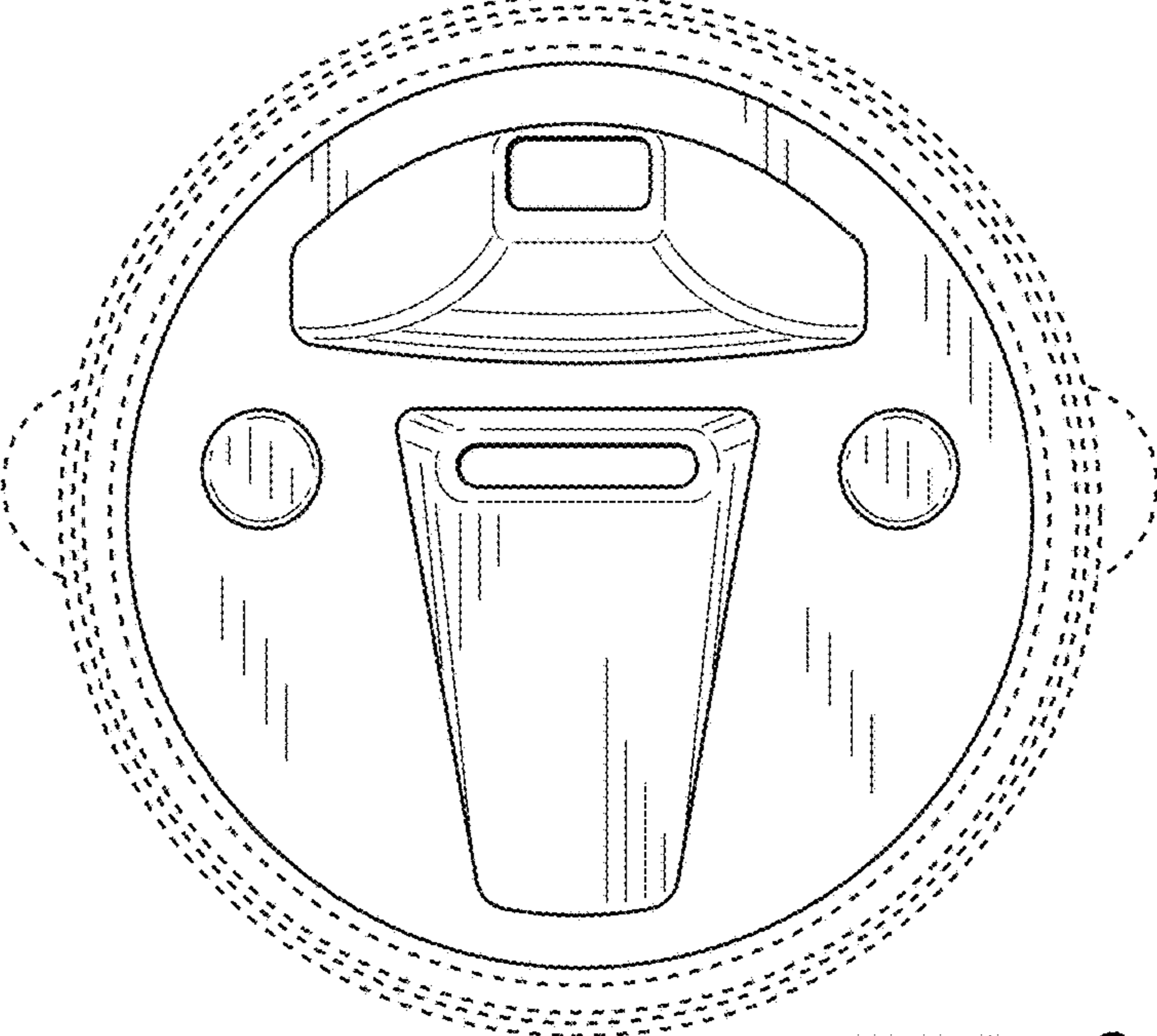


FIG. 8

FIG. 9

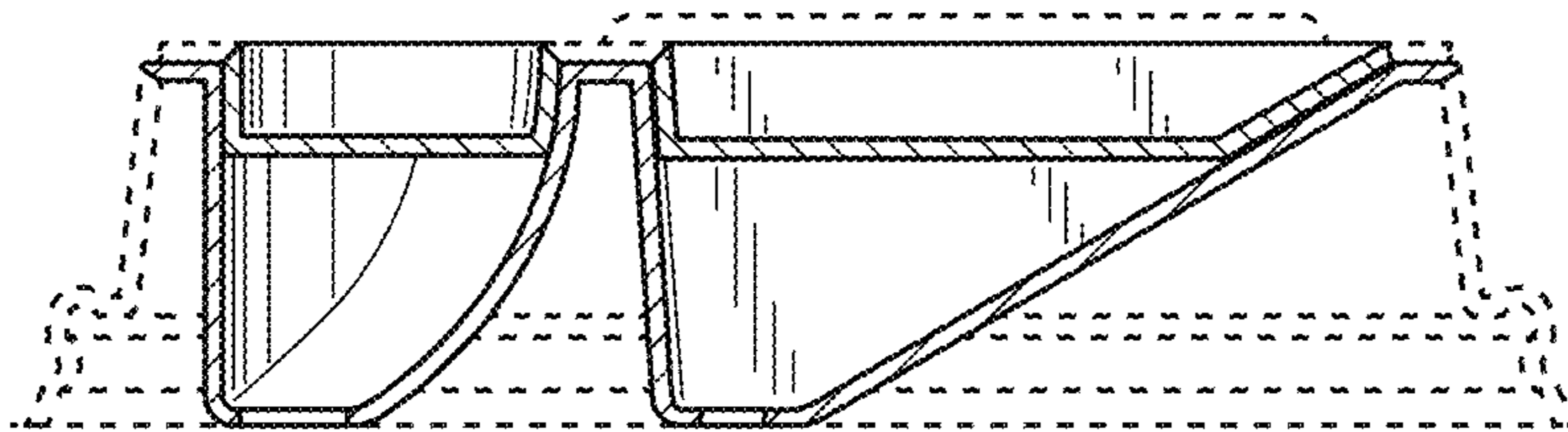
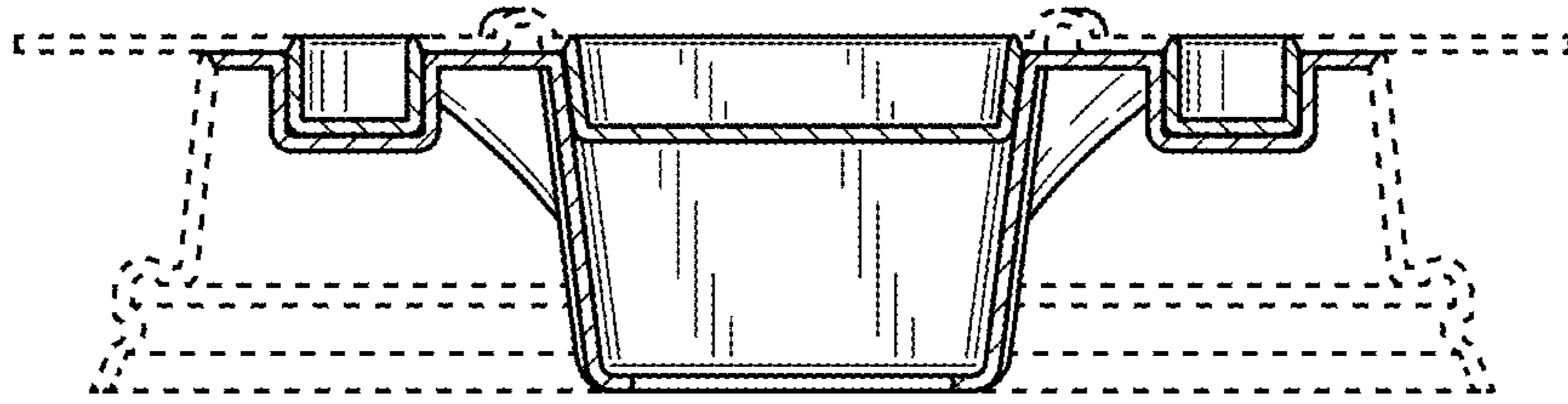


FIG. 10