



US00D800493S

(12) **United States Design Patent** (10) **Patent No.:** **US D800,493 S**
Müller et al. (45) **Date of Patent:** **** Oct. 24, 2017**

(54) **ELECTRIC MIXER**

(56) **References Cited**

(71) Applicant: **DE'LONGHI BRAUN HOUSEHOLD GMBH**, Neu-Isenburg (DE)

U.S. PATENT DOCUMENTS

(72) Inventors: **Dennis Müller**, Frankfurt am Main (DE); **Markus Orthey**, Eltville am Rhein (DE); **Britta Stockinger**, Frankfurt am Main (DE); **Sven Wuttig**, Griesheim (DE); **Duy P. Vu**, Schwalbach am Taunus (DE)

D178,266 S *	7/1956	Swann	D7/379
D201,897 S *	8/1965	Frost	D7/379
D224,132 S *	7/1972	Yamamoto	D7/379
D234,333 S *	2/1975	Mantelet	D7/379
D329,166 S *	9/1992	Doggett	D7/376
D345,888 S *	4/1994	Joss	D7/379
D362,587 S *	9/1995	Littmann	D7/386
D362,783 S *	10/1995	Cruz	D7/379
D387,244 S *	12/1997	Ivy	D7/379
D593,360 S *	6/2009	Lee	D7/379
D665,223 S *	8/2012	Haley	D7/376
D665,224 S *	8/2012	Benoit	D7/376
D726,495 S *	4/2015	Ryan	D7/376

(73) Assignee: **De'Longhi Braun Household GmbH**, Neu-Isenburg (DE)

(**) Term: **15 Years**

* cited by examiner

(21) Appl. No.: **29/574,645**

Primary Examiner — Ricky Pham

(22) Filed: **Aug. 17, 2016**

(74) *Attorney, Agent, or Firm* — Baker Hostetler LLP

(30) **Foreign Application Priority Data**

(57) **CLAIM**

Feb. 18, 2016 (EP) 002992453-0005
Feb. 18, 2016 (EP) 002992453-0006

The ornamental design for an electric mixer, as shown and described.

(51) **LOC (10) Cl.** **31-00**

DESCRIPTION

(52) **U.S. Cl.**
USPC **D7/379**; D7/376; D7/384

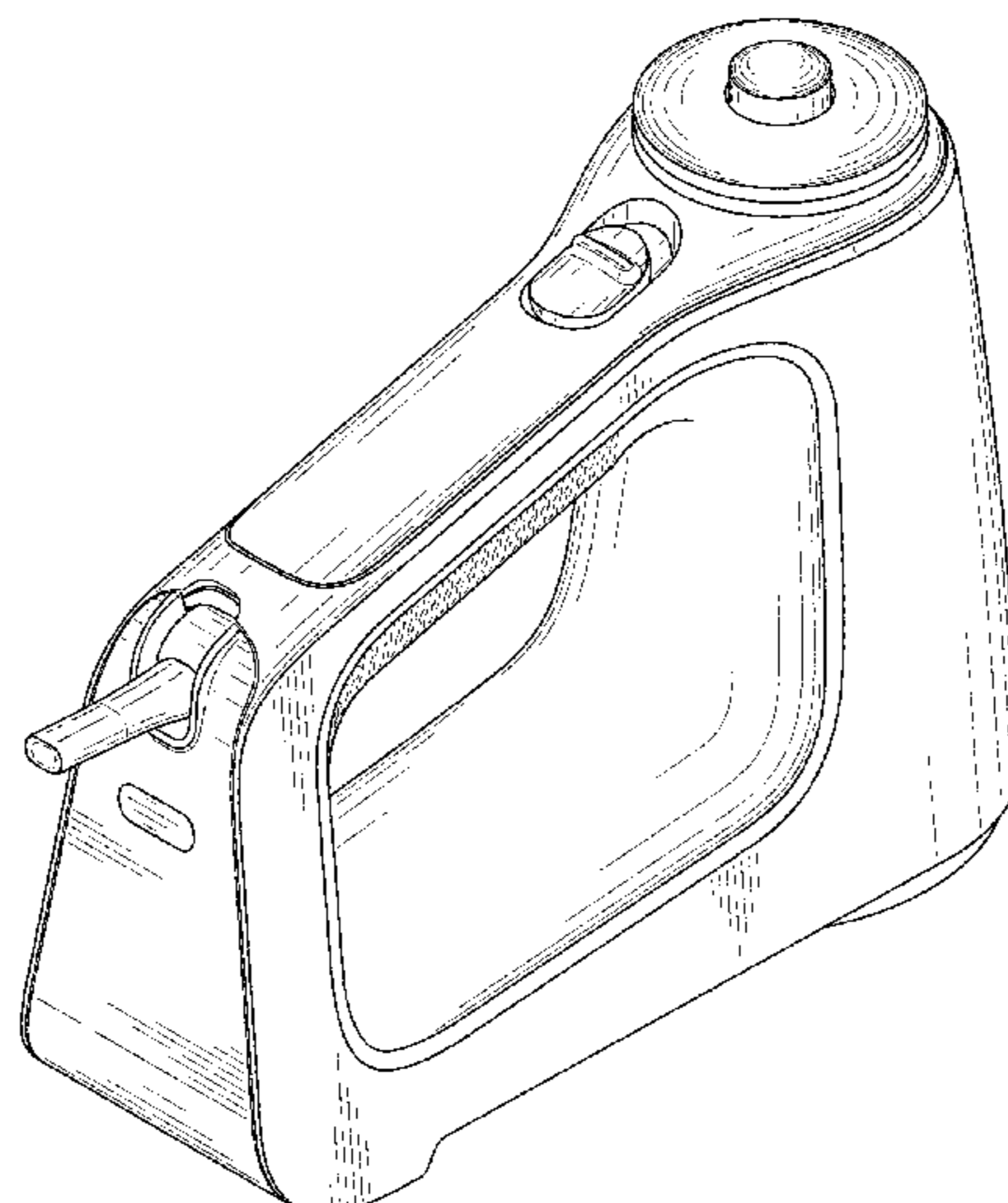
FIG. 1 is a top, rear, and left side perspective view of an electric mixer;
FIG. 2 is a front view of the electric mixer;
FIG. 3 is a rear view of the electric mixer;
FIG. 4 is a left side view of the electric mixer;
FIG. 5 is a right side view of the electric mixer;
FIG. 6 is a top view of the electric mixer;
FIG. 7 is a bottom view of the electric mixer;
FIG. 8 is a bottom, front, and left side perspective view of the electric mixer; and,
FIG. 9 is an enlarged perspective view of a portion of the electric mixer.

(58) **Field of Classification Search**
USPC D7/326, 372, 376–386, 412–413, 602, D7/629, 665–666, 669, 679, 693–694
CPC A21C 1/02; A21C 1/04; A23N 1/00; A23N 1/02; A47J 43/04; A47J 43/25; A47J 43/27; A47J 43/042; A47J 43/044; A47J 43/046; A47J 43/075; A47J 43/0722; A47J 43/0727; B01F 3/00; B01F 3/0807; B01F 3/0853; B01F 13/0059; B01F 13/0064; B02C 1/08; B02C 2/04; B02C 4/42; B02C 4/142; B02C 4/143; B02C 4/423; B02C 13/1835; B28C 5/10; B28C 5/12; B28C 5/14; B28C 5/16

The broken lines shown in the drawings of an electric mixer are for illustrative purposes only and form no part of the claimed design.

See application file for complete search history.

1 Claim, 7 Drawing Sheets



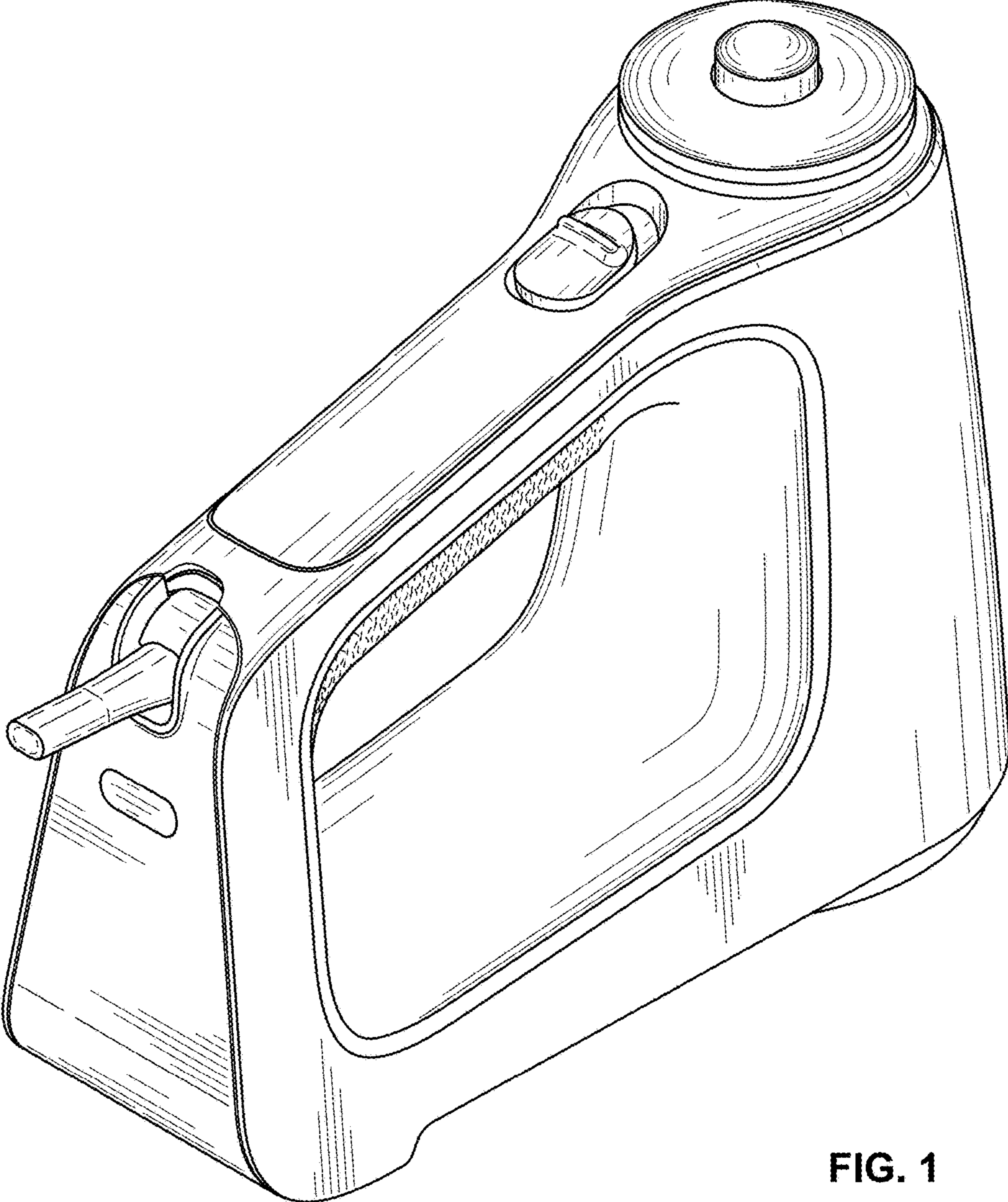


FIG. 1

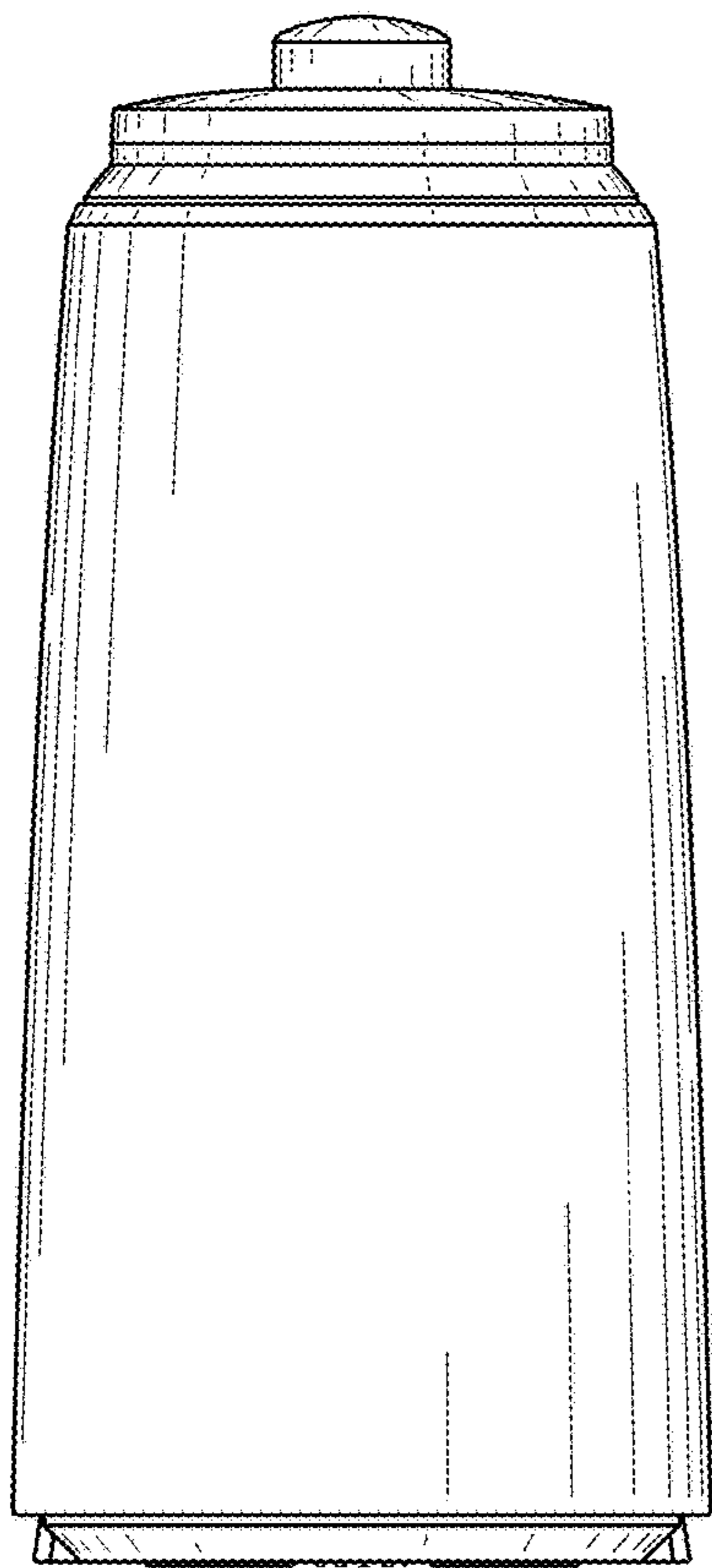


FIG. 2

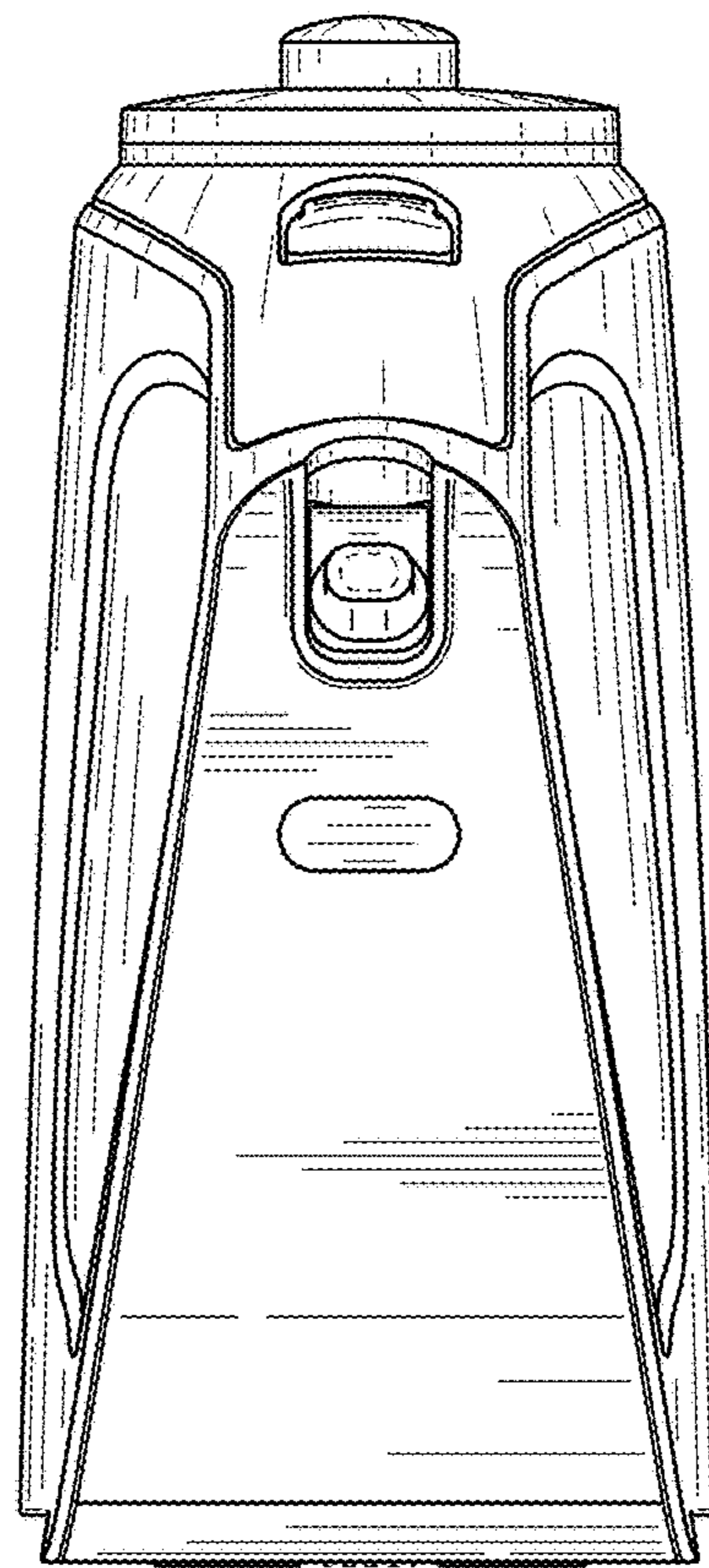


FIG. 3

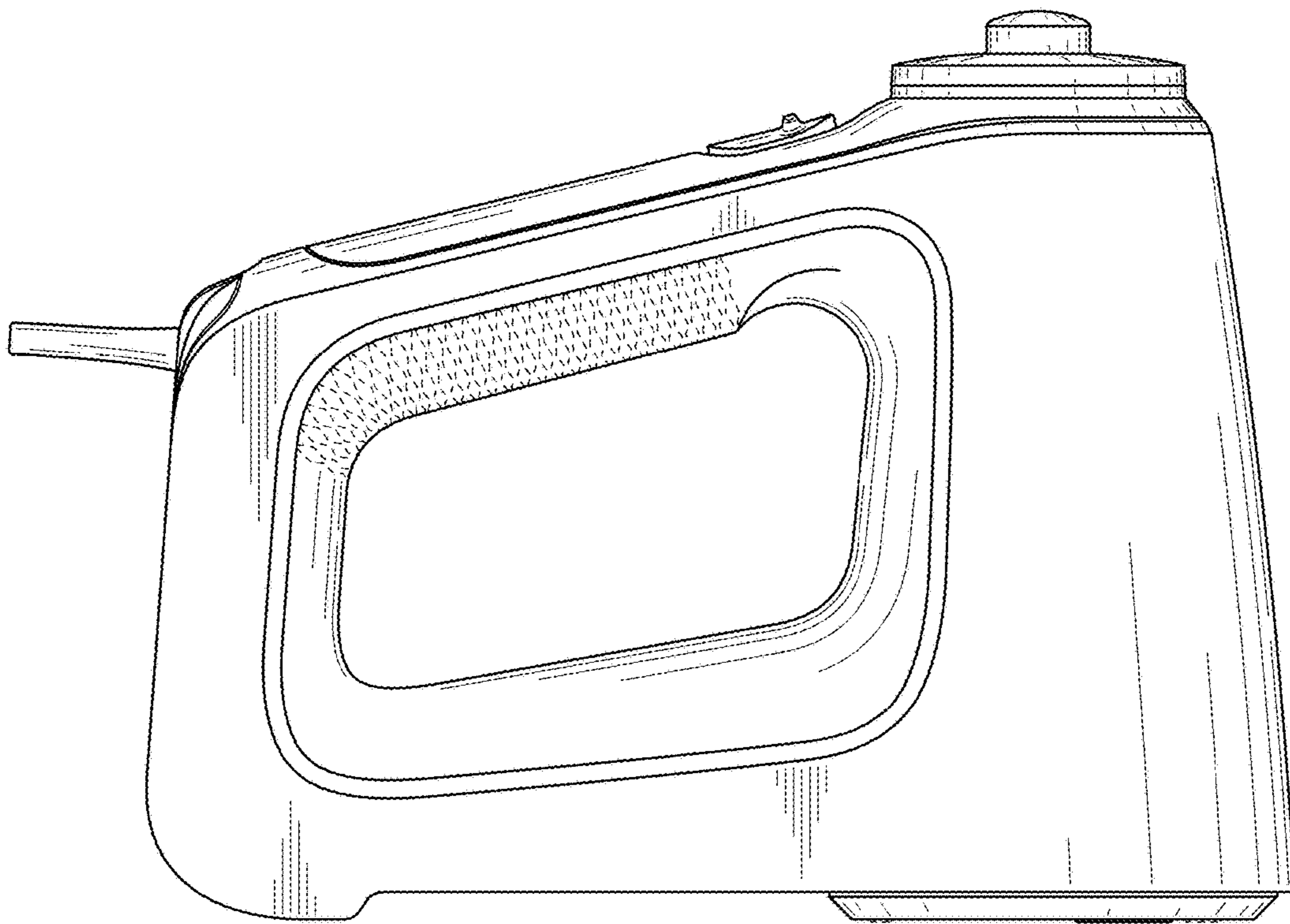


FIG. 4

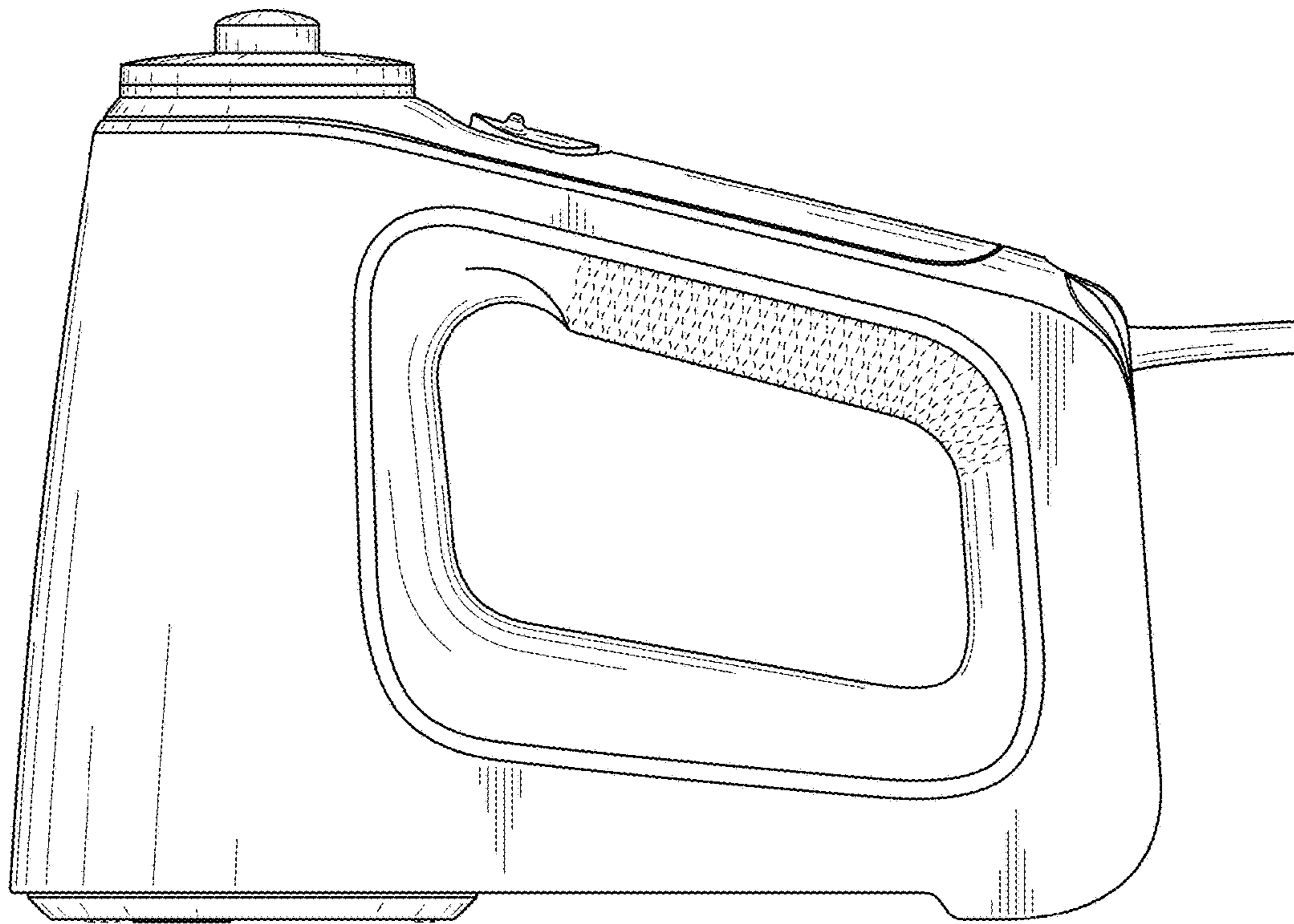


FIG. 5

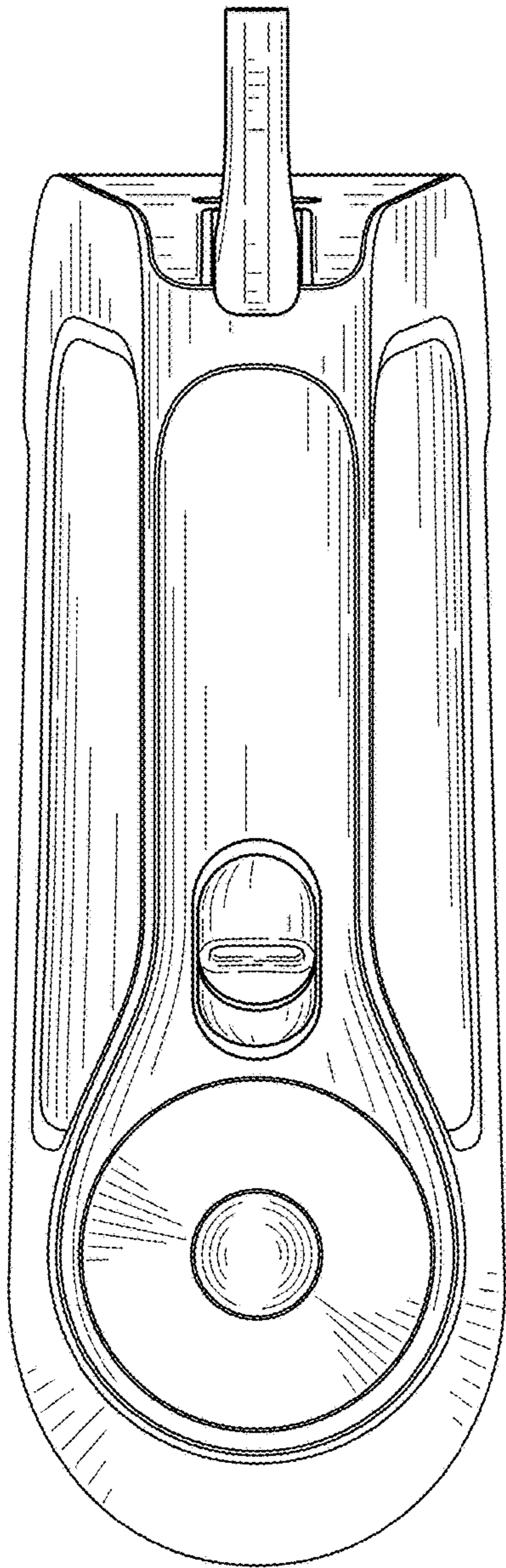


FIG. 6

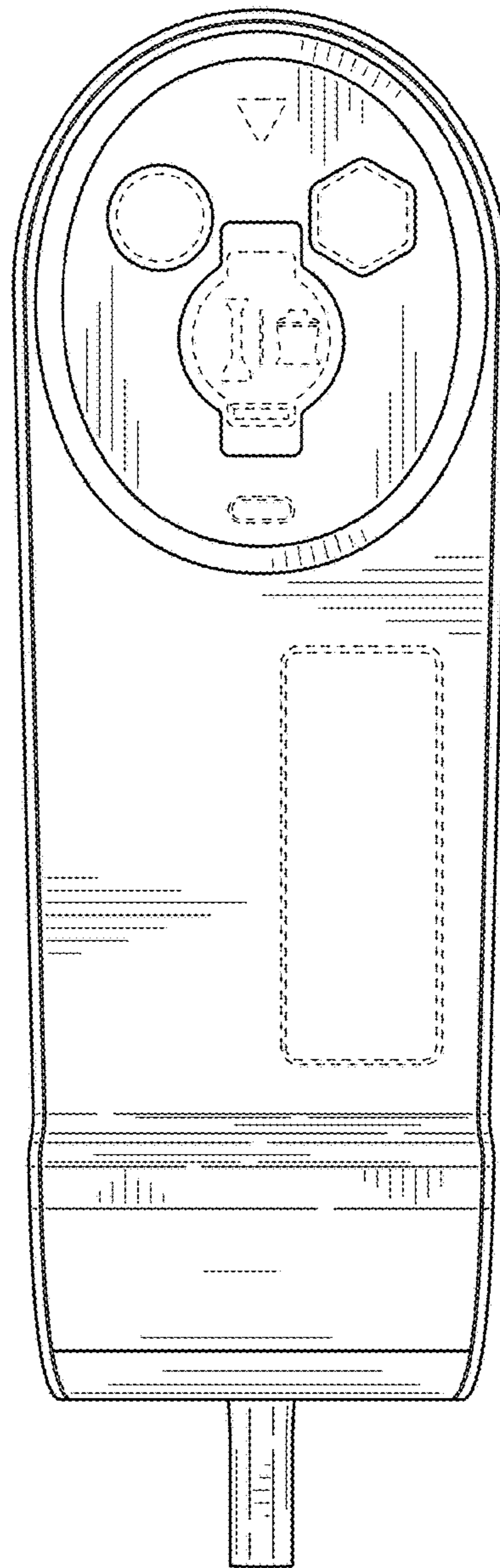


FIG. 7

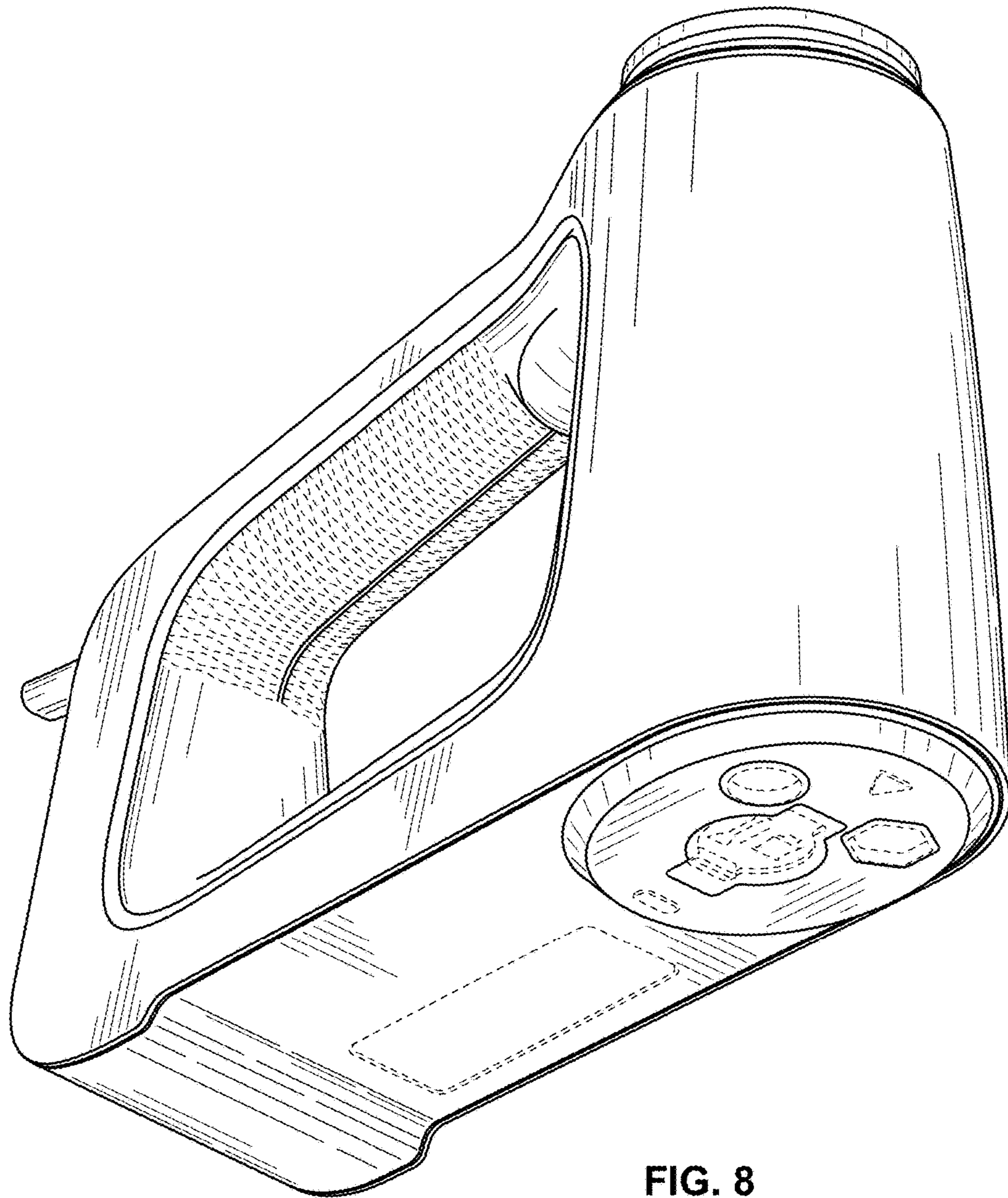


FIG. 8

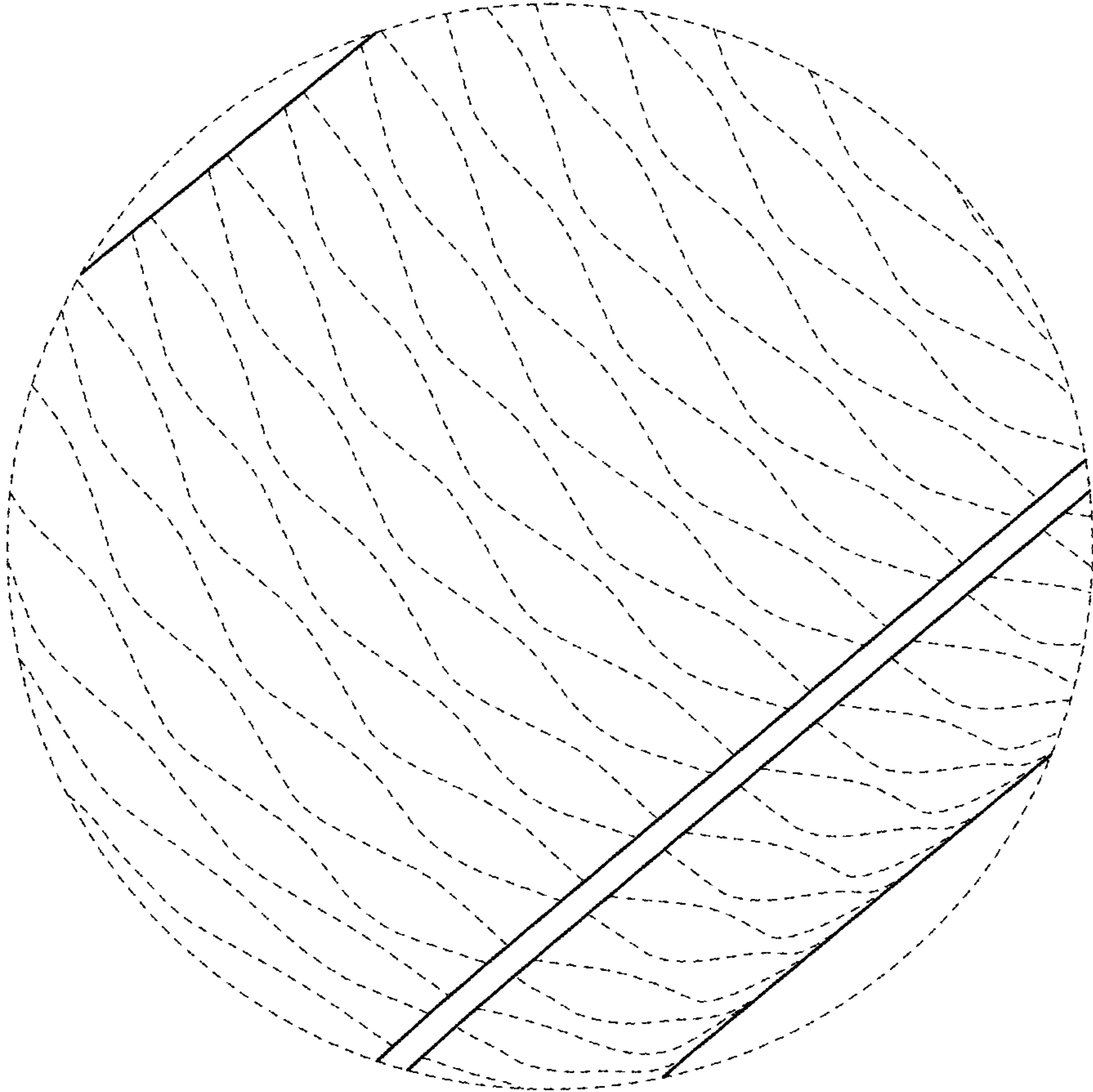


FIG. 9