



US00D800491S

(12) **United States Design Patent** (10) **Patent No.:** **US D800,491 S**  
**Sarnoff et al.** (45) **Date of Patent:** **\*\* Oct. 24, 2017**

(54) **PAN**  
(71) Applicant: **Handi-Foil Corporation**, Wheeling, IL (US)  
(72) Inventors: **David Sarnoff**, Northbrook, IL (US);  
**Raj Patel**, Lake Zurich, IL (US)  
(73) Assignee: **Handi-Foil Corporation**, Wheeling, IL (US)  
(\*\*) Term: **15 Years**  
(21) Appl. No.: **29/571,711**  
(22) Filed: **Jul. 21, 2016**  
(51) **LOC (10) Cl.** ..... **07-02**  
(52) **U.S. Cl.**  
USPC ..... **D7/359**; D7/354  
(58) **Field of Classification Search**  
USPC ..... D3/323; D7/323, 332, 335-337,  
D7/354-357, 359-364, 387-388, 402,  
D7/407-409, 698; D9/424-425  
CPC .... A21B 2/00; A21B 3/00; A21B 3/13; A21B  
3/15; A21B 5/00; A21B 5/02; A23N  
12/06; A23N 12/08; A23N 12/10; A47J  
37/00; A47J 37/04; A47J 37/041; A47J  
37/042; A47J 37/06; A47J 37/0688; A47J  
37/0694; A47J 37/07; A47J 37/0704;  
A47J 37/10; A47J 47/20; A47J 2037/00;  
A47J 2037/06; A47J 2037/0611; A47J  
2037/07; A47J 2037/0786; A47J  
2037/0795; F24C 15/10; F24C 15/12;  
F24C 15/14; F24C 15/16; F24C 15/164;  
F24C 15/18  
See application file for complete search history.

(56) **References Cited**

U.S. PATENT DOCUMENTS

D270,703 S *	9/1983	El-Hag	.....	D7/357
D287,104 S *	12/1986	Holden	.....	D9/425
D392,881 S *	3/1998	Bulcher	.....	D7/602
D444,950 S *	7/2001	Hwang	.....	D3/323
D495,920 S *	9/2004	Isler	.....	D7/354
D502,045 S *	2/2005	Isler	.....	D7/354
D622,540 S *	8/2010	Sarnoff	.....	D7/354
D628,434 S *	12/2010	Sarnoff	.....	D7/354
D655,130 S *	3/2012	Sarnoff	.....	D7/354
D668,506 S *	10/2012	Zemel	.....	D7/409
D682,634 S *	5/2013	Datavs	.....	D7/698
D687,704 S *	8/2013	Knight	.....	D9/425
D692,296 S *	10/2013	Cooper	.....	D9/424

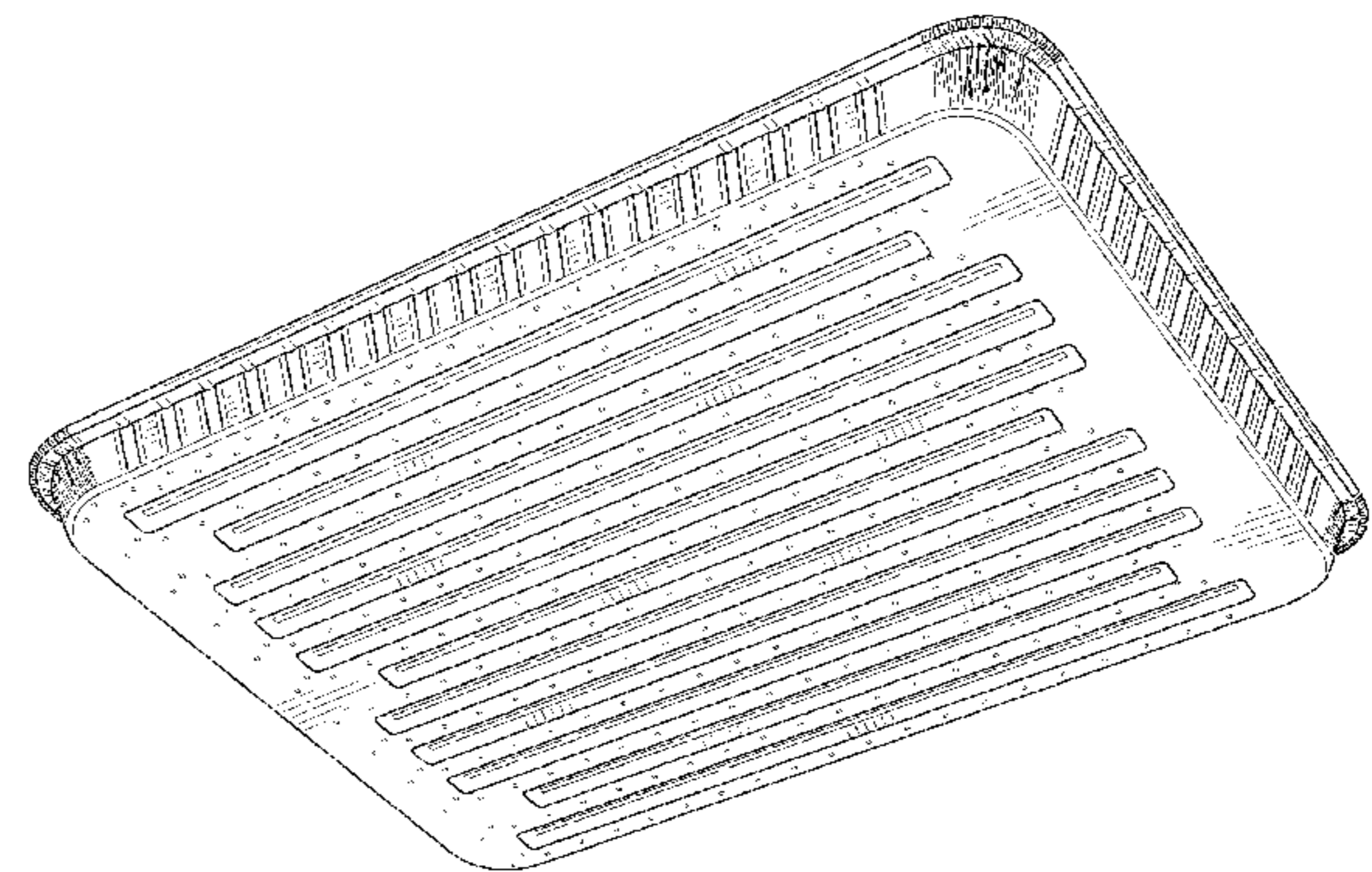
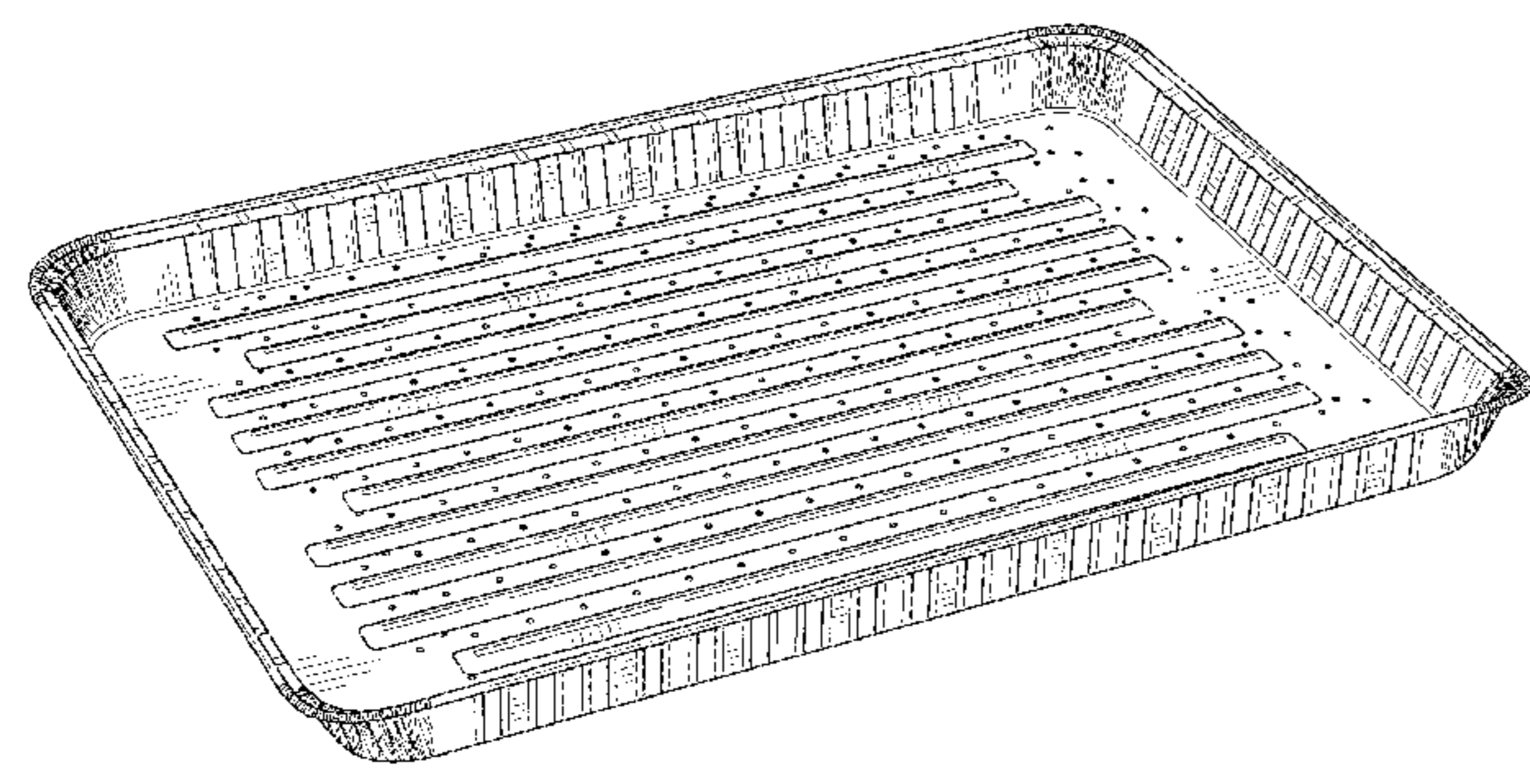
\* cited by examiner  
*Primary Examiner* — Ricky Pham  
(74) *Attorney, Agent, or Firm* — Adam K. Sacharoff;  
Much Shelist, P.C.

(57) **CLAIM**  
The ornamental design for a pan, as shown and described.

**DESCRIPTION**

FIG. 1 is a front side perspective view showing the new design for a pan;  
FIG. 2 is a left side view thereof,  
FIG. 3 is a right side view thereof;  
FIG. 4 is a front view thereof;  
FIG. 5 is a rear side view thereof;  
FIG. 6 is a top plan view thereof;  
FIG. 7 is a bottom plan view thereof; and,  
FIG. 8 is a bottom perspective view thereof.

**1 Claim, 5 Drawing Sheets**



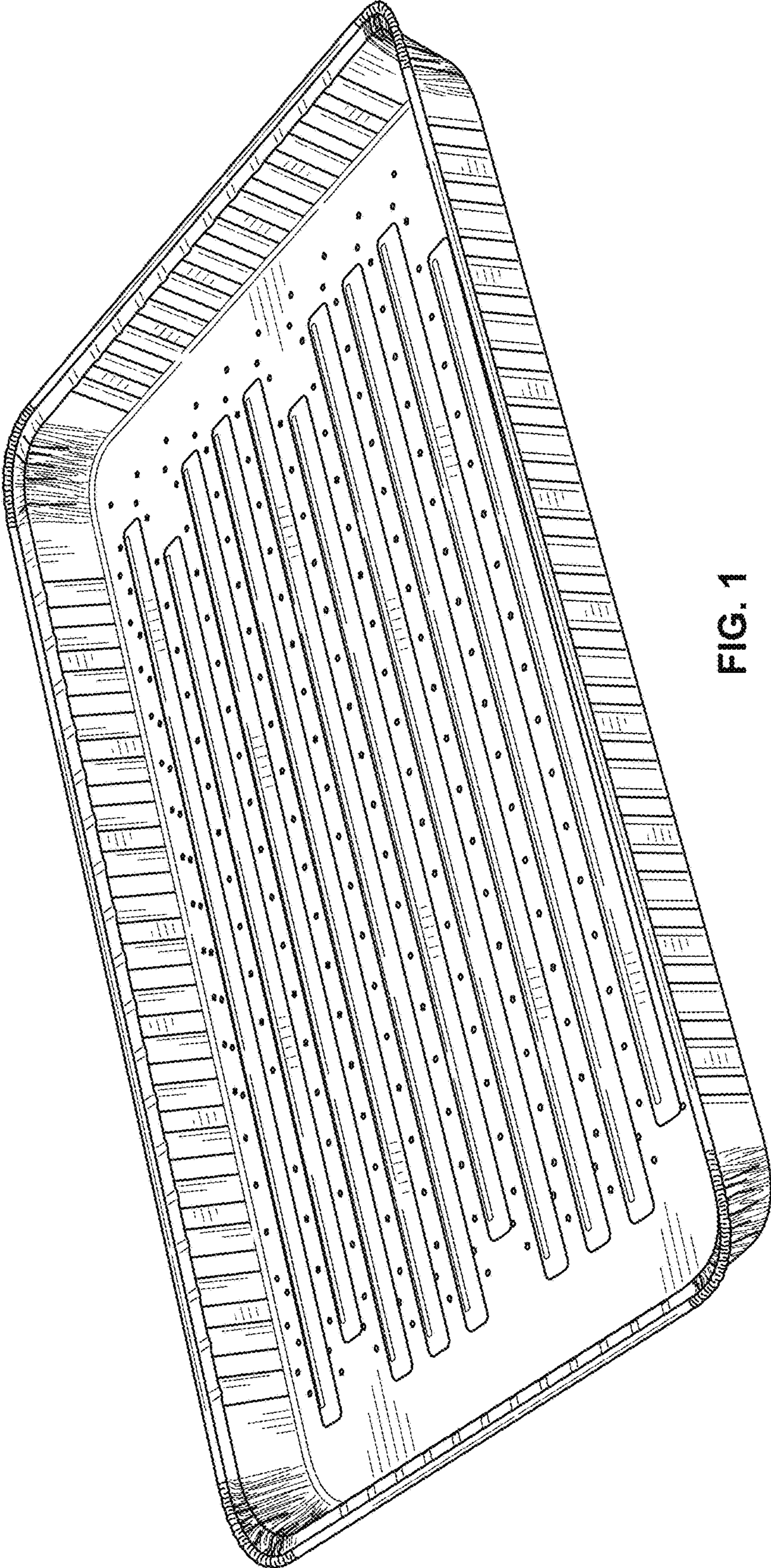


FIG. 1

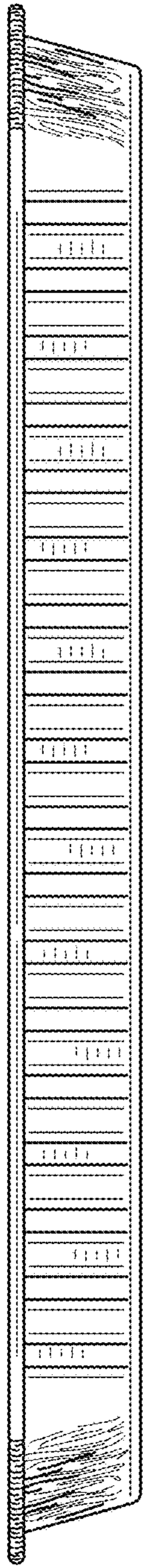


FIG. 2

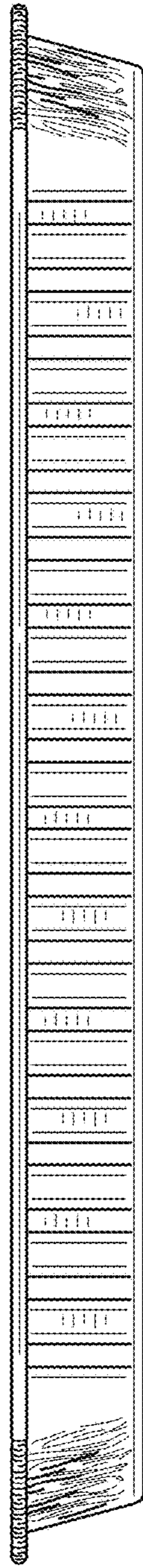


FIG. 3

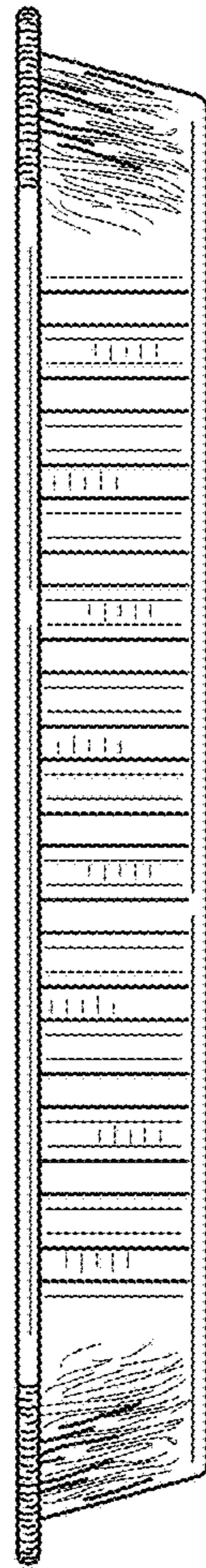


FIG. 4

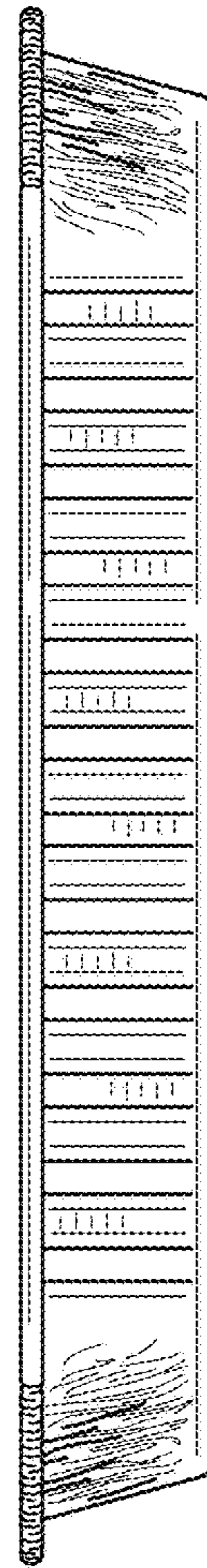


FIG. 5

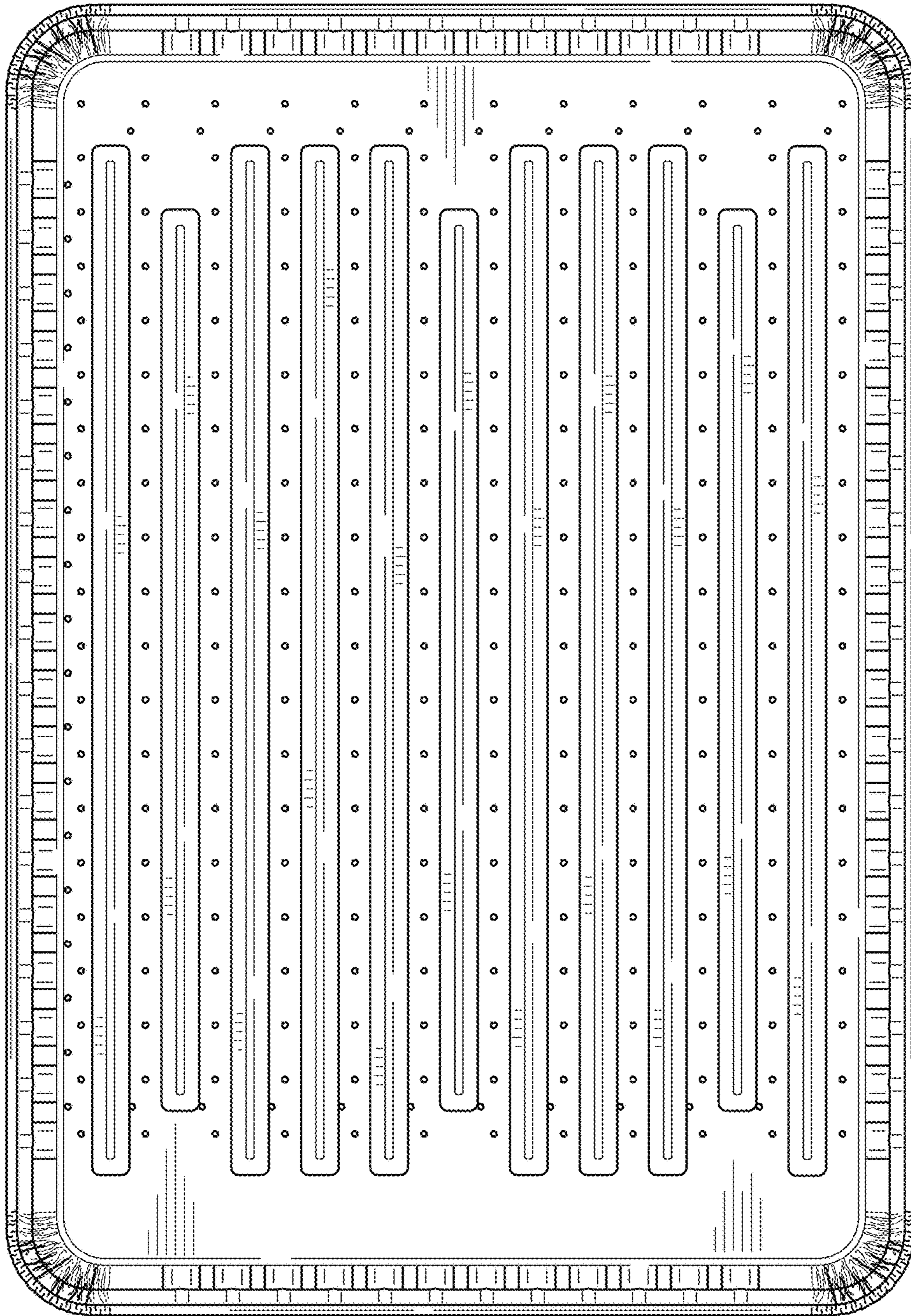


FIG. 6

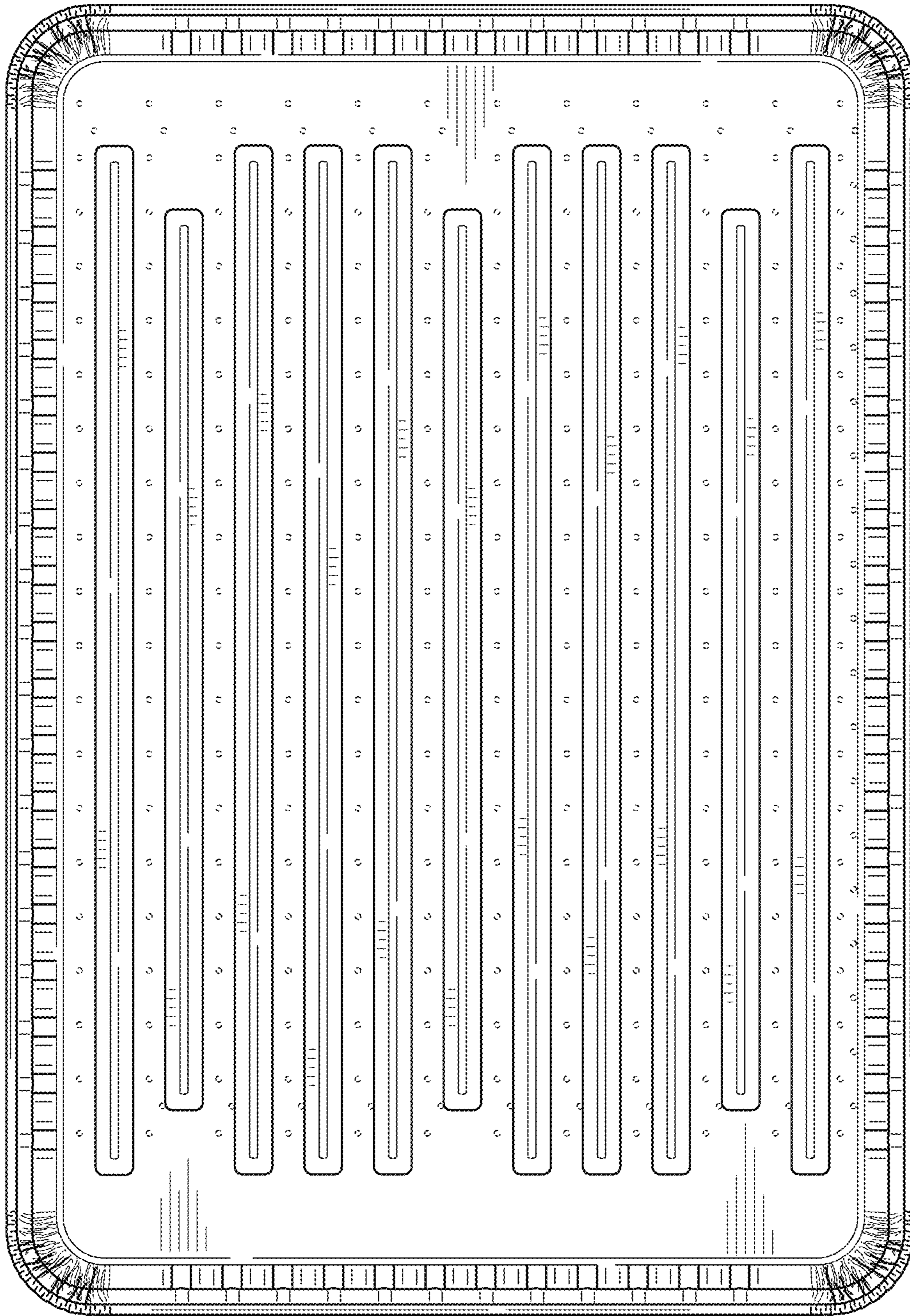


FIG. 7

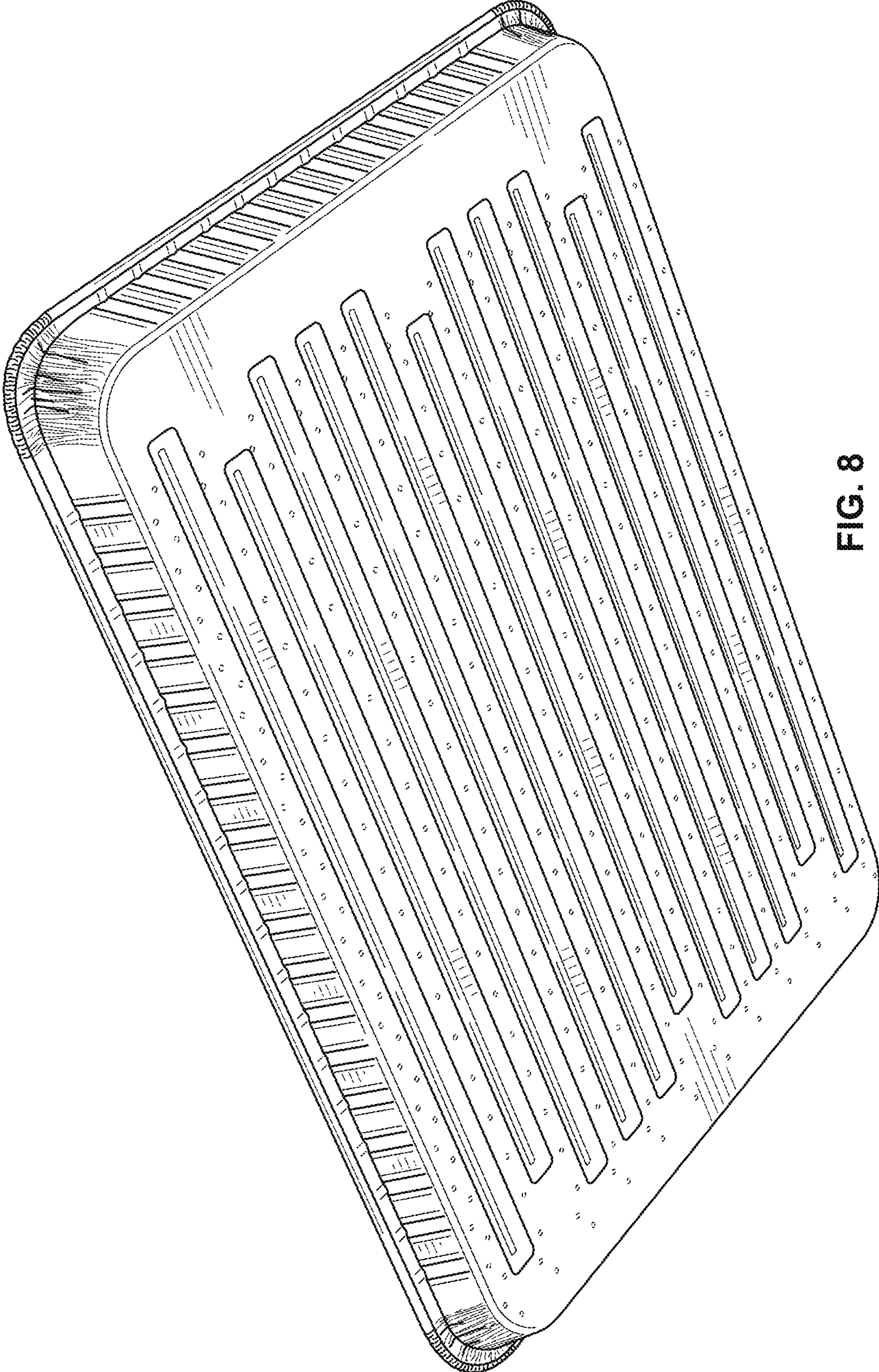


FIG. 8