



US00D800490S

(12) **United States Design Patent Case** (10) **Patent No.:** **US D800,490 S**  
(45) **Date of Patent:** **\*\* Oct. 24, 2017**

(54) **MARSHMALLOW OVEN**  
(71) Applicant: **Robert A. Case**, Gladstone, MO (US)  
(72) Inventor: **Robert A. Case**, Gladstone, MO (US)  
(\*\*) Term: **15 Years**  
(21) Appl. No.: **29/536,640**  
(22) Filed: **Aug. 18, 2015**  
(51) **LOC (10) Cl.** ..... **07-02**  
(52) **U.S. Cl.**  
USPC ..... **D7/332**  
(58) **Field of Classification Search**  
USPC ..... D7/323-337, 402-407, 362, 416, 417,  
D7/357, 408; 126/25 R, 9 R; D23/343,  
D23/415, 350, 348, 403, 409, 416, 418,  
D23/419; D22/112; D26/8  
CPC ..... A47J 33/00; A47J 37/04; A47J 37/041;  
A47J 37/07-37/0713; A47J  
37/718-37/0727; A47J 37/0731; A47J  
37/074; A47J 37/0781; A47J 2037/0777;  
A47J 37/0786; A47J 37/079; A47J 36/26;  
A47J 36/36; F24B 1/02; F24B 1/022;  
F24B 1/18; F24B 1/182; F24B 1/202;  
F24B 1/181; F24C 3/14; F24C 1/16;  
F24C 15/10; F23D 14/00-14/10; F23D  
91/00; B05B 17/08  
See application file for complete search history.

(56) **References Cited**  
U.S. PATENT DOCUMENTS  
D154,877 S \* 8/1949 Reichelderfer ..... D7/332  
D170,927 S \* 11/1953 Kosmak ..... D23/350  
2,755,793 A \* 7/1956 Keeley ..... F24C 1/16  
126/215  
D186,562 S \* 11/1959 Phillips ..... D7/332  
D192,625 S \* 4/1962 Keal ..... D7/334  
3,112,716 A \* 12/1963 Knight ..... A47J 37/079  
126/168

D209,255 S \* 11/1967 Sandford ..... D23/348  
D212,268 S \* 9/1968 Williams ..... D7/332  
D214,297 S \* 5/1969 Ihde ..... D23/350  
D215,718 S \* 10/1969 Radeke ..... D23/348  
D237,888 S \* 12/1975 Weidenborner ..... D7/417  
D243,092 S \* 1/1977 Sheth ..... D23/348  
4,026,265 A \* 5/1977 Spadaro ..... A47J 37/079  
126/25 B  
4,138,987 A \* 2/1979 Fromman ..... F24B 1/18  
126/307 R  
4,167,177 A \* 9/1979 Wiggins ..... F24B 1/181  
126/508  
D254,390 S \* 3/1980 Smith ..... D23/350  
4,216,760 A \* 8/1980 Wiggins ..... F24B 1/181  
126/508  
D365,145 S \* 12/1995 Shadman ..... D23/348  
6,178,965 B1 \* 1/2001 Sulak ..... F24B 1/181  
126/25 R  
D469,861 S \* 2/2003 Garafolo ..... D23/348

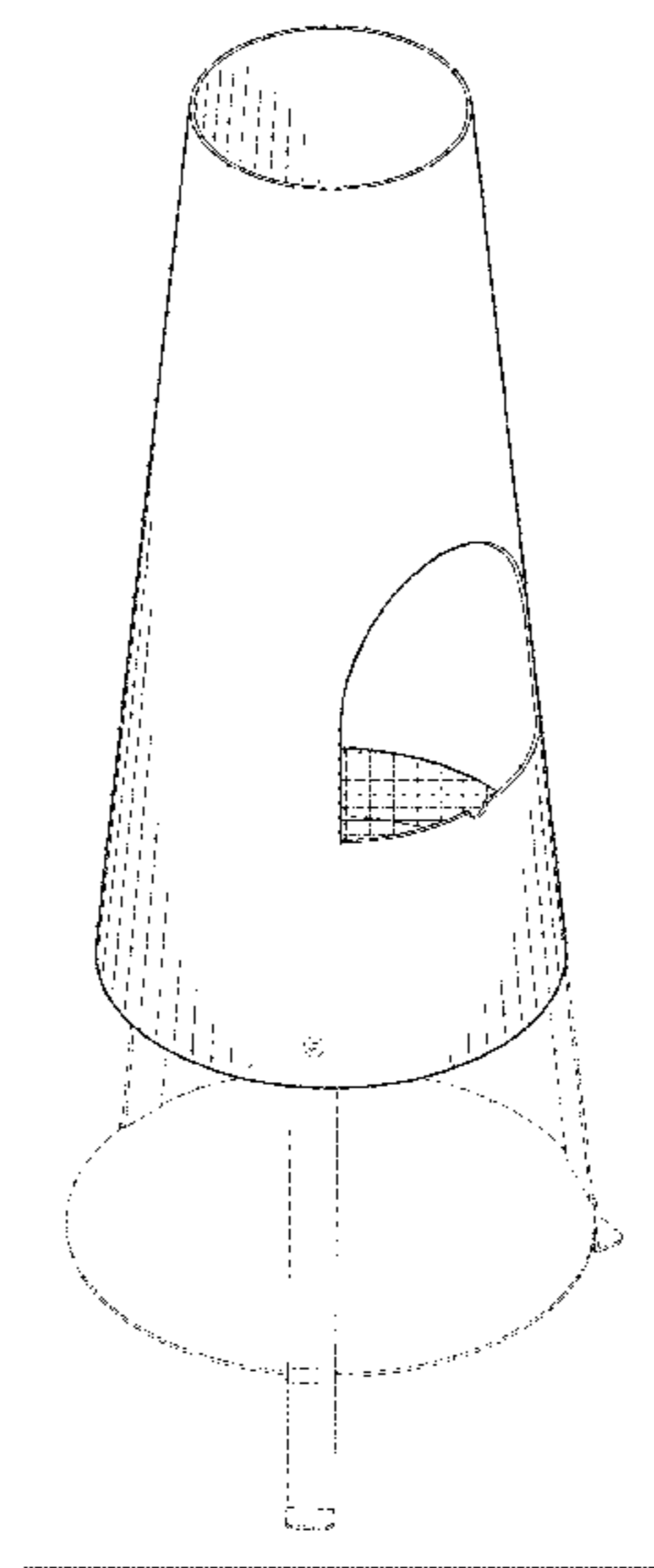
(Continued)

*Primary Examiner* — Susan Bennett Hattan  
*Assistant Examiner* — Brett Miller  
(74) *Attorney, Agent, or Firm* — Intellectual Property  
Center, LLC; Arthur Shaffer

(57) **CLAIM**  
The ornamental design for a marshmallow oven, as shown  
and described herein.

**DESCRIPTION**  
FIG. 1 is a side perspective view of a marshmallow oven in  
accordance with the present invention;  
FIG. 2 is a front elevation thereof;  
FIG. 3 is a rear elevation thereof;  
FIG. 4 is a side elevation thereof;  
FIG. 5 is a top plan view thereof; and,  
FIG. 6 is a bottom plan thereof.  
The broken lines depict environment and form no part of the  
claimed design.

**1 Claim, 3 Drawing Sheets**



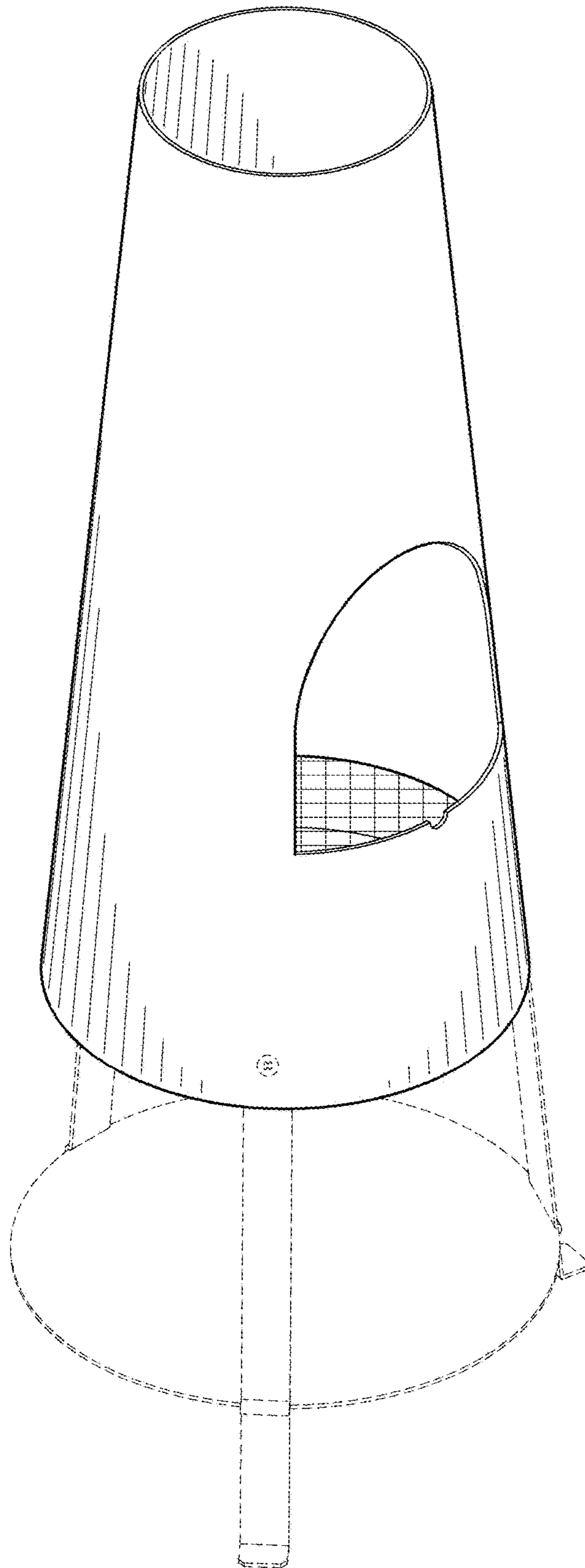
(56)

**References Cited**

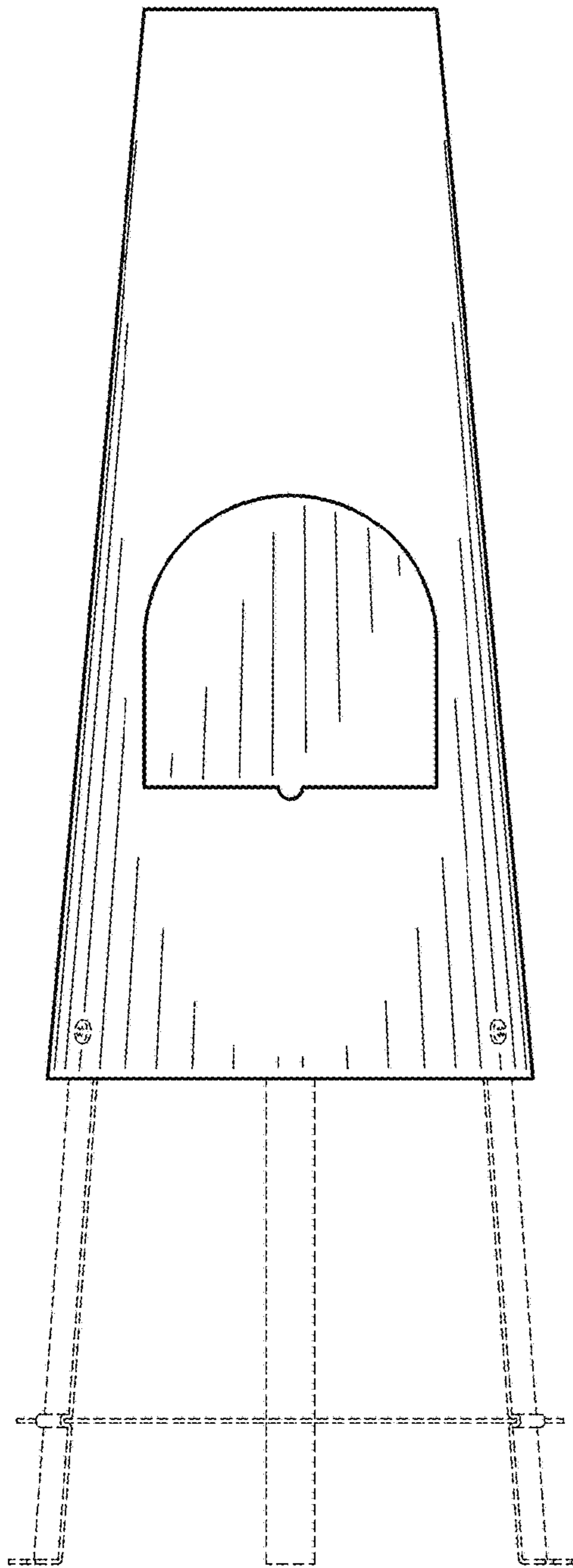
U.S. PATENT DOCUMENTS

6,520,173 B2 \* 2/2003 Lautner ..... A47J 33/00  
126/25 B  
6,913,011 B1 \* 7/2005 Snider ..... A47J 37/0704  
126/25 R  
D592,576 S \* 5/2009 Cheney ..... D12/194  
D659,233 S \* 5/2012 Litzenberger ..... D23/403

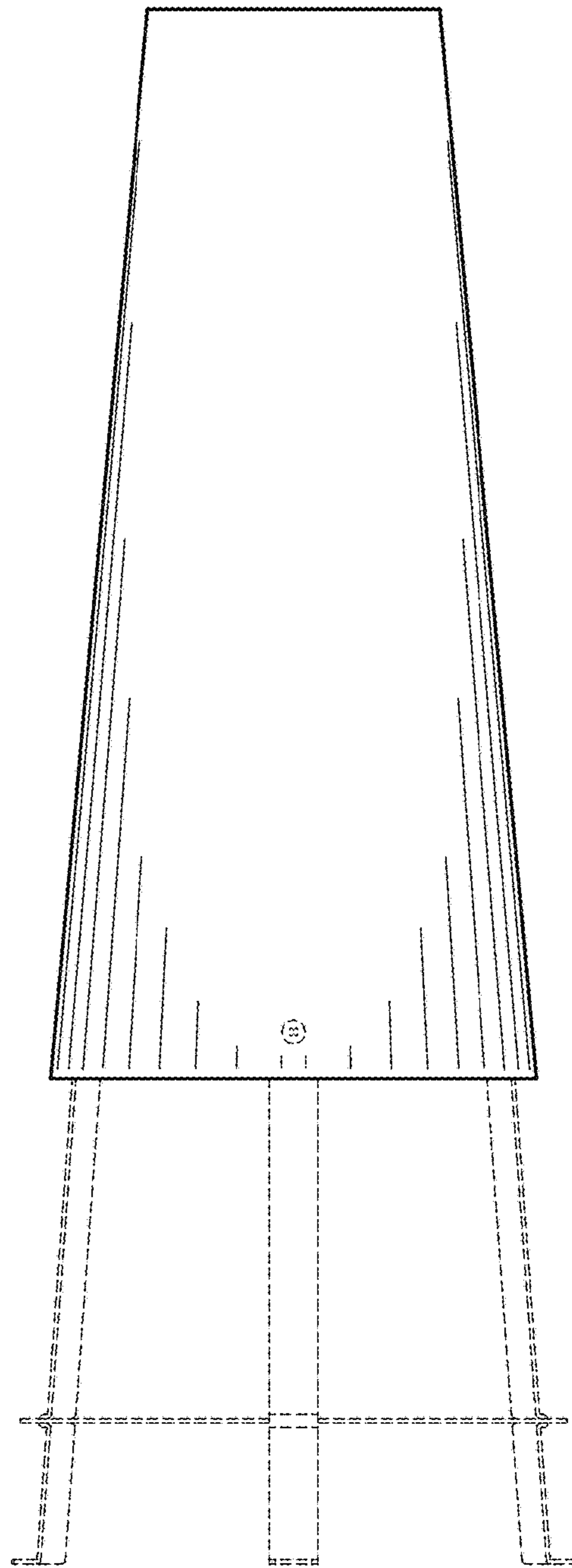
\* cited by examiner



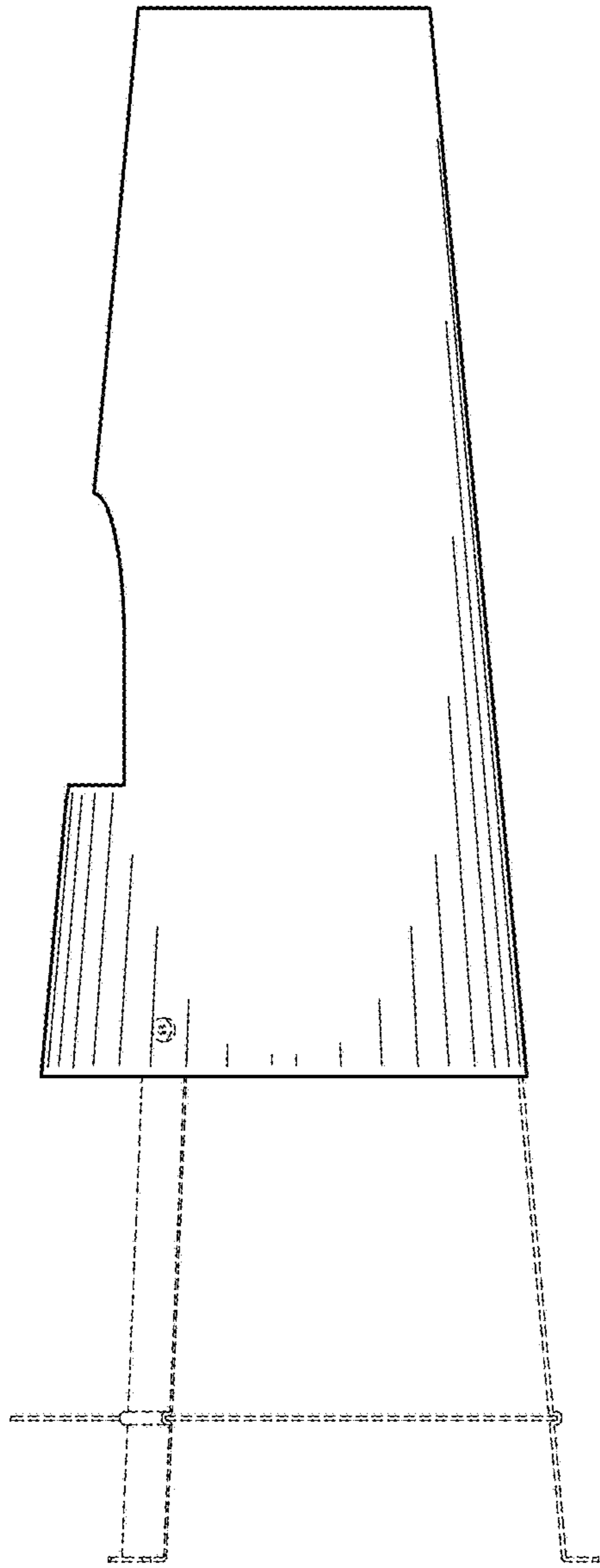
*Fig. 1*



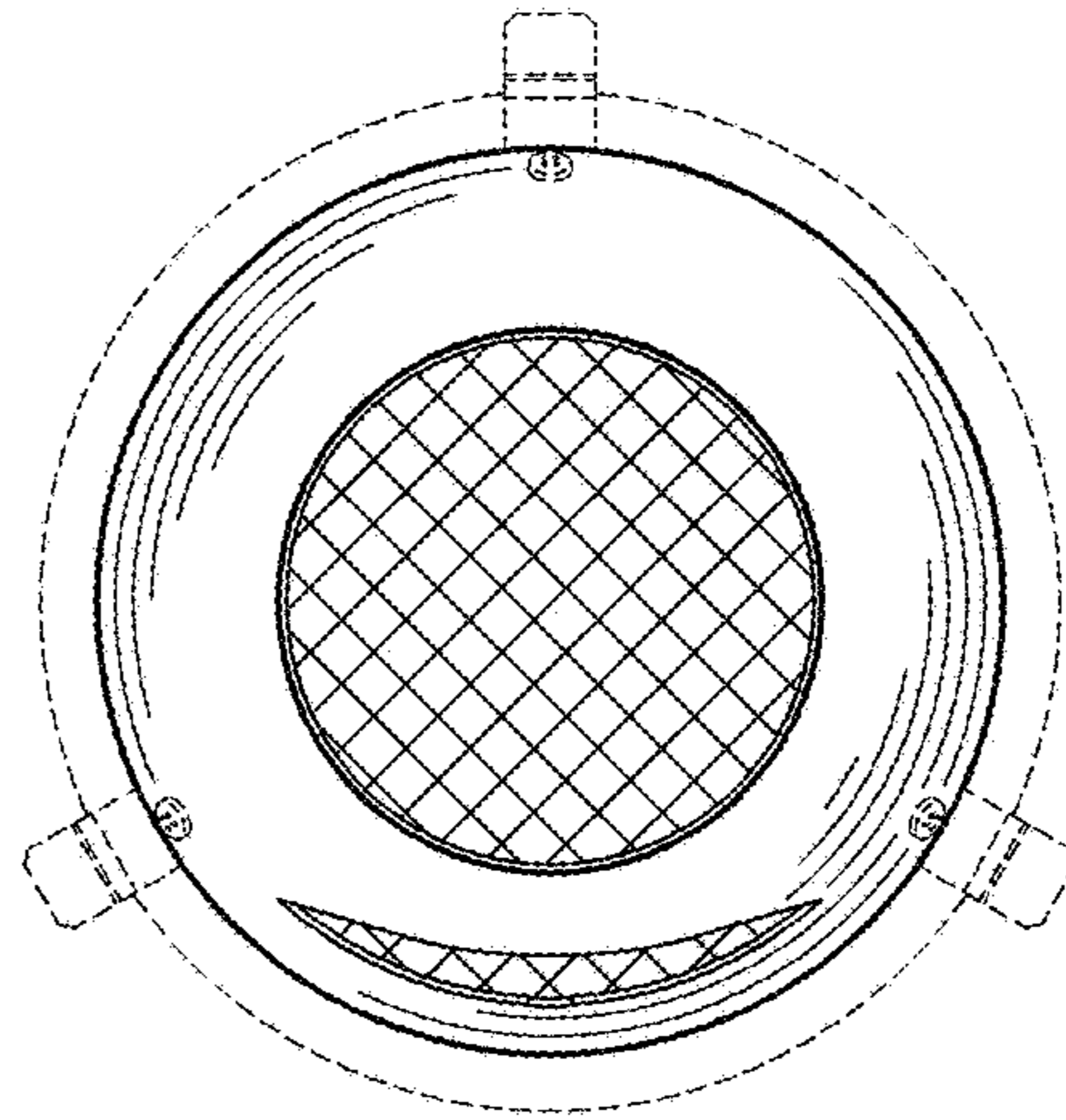
*Fig. 2*



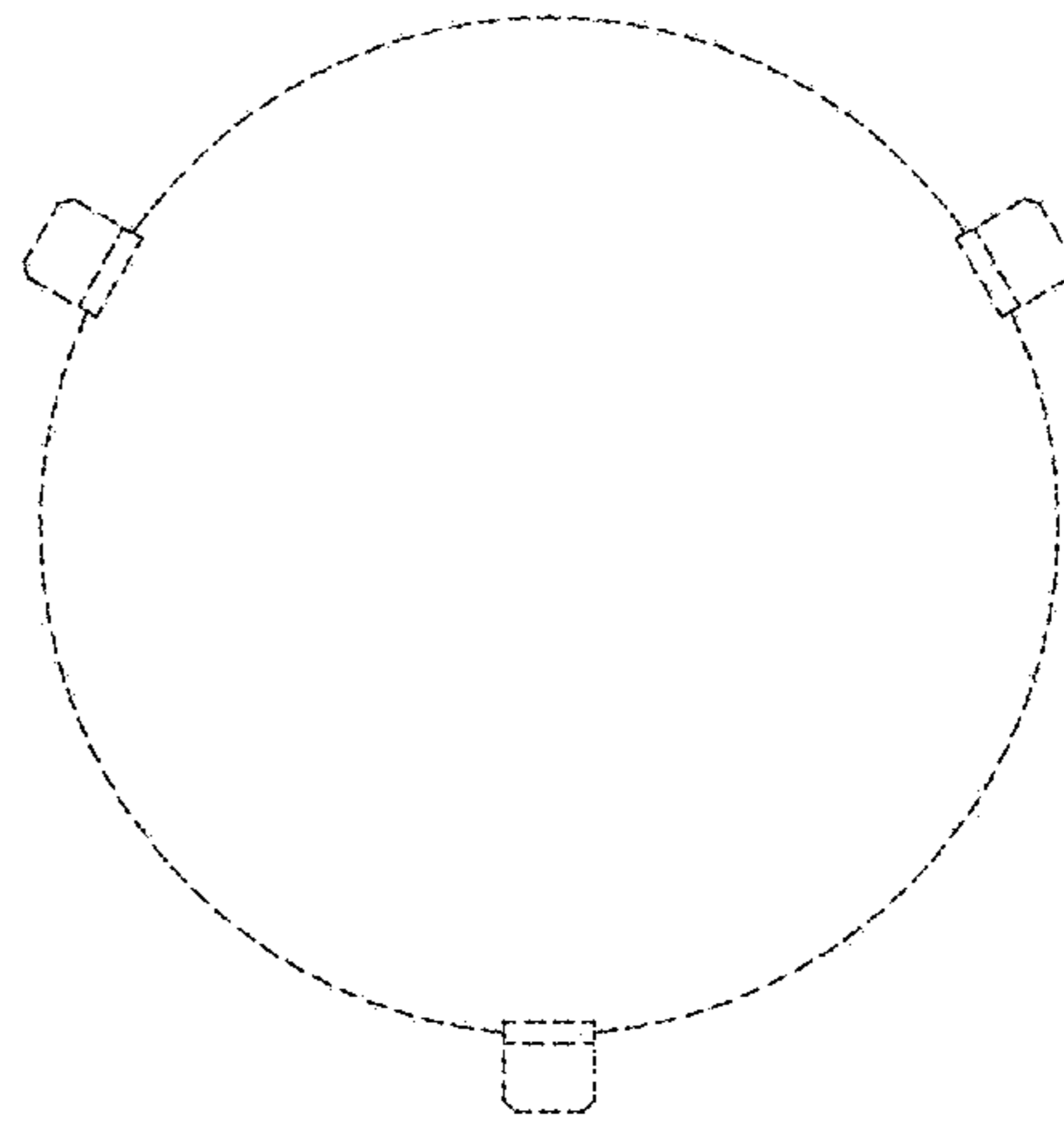
*Fig. 3*



*Fig. 4*



*Fig. 5*



*Fig. 6*