



US00D800489S

(12) **United States Design Patent**  
**Rummel et al.**

(10) **Patent No.:** **US D800,489 S**

(45) **Date of Patent:** **\*\* \*Oct. 24, 2017**

(54) **WATER CONTAINER**

(71) Applicant: **BRITA GMBH**, Taunusstein (DE)

(72) Inventors: **Christian Rummel**, Benningen (DE);  
**Tim Storti**, Schwieberdingen (DE)

(73) Assignee: **BRITA GMBH**, Taunusstein (DE)

(\*) Notice: This patent is subject to a terminal disclaimer.

(\*\*) Term: **15 Years**

(21) Appl. No.: **29/558,530**

(22) Filed: **Mar. 18, 2016**

(51) **LOC (10) Cl.** ..... **07-01**

(52) **U.S. Cl.**  
USPC ..... **D7/318**

(58) **Field of Classification Search**  
USPC ..... D7/317, 318, 321; D23/209; 220/703  
CPC ..... A47J 31/06; A47G 19/14; A47G 19/145;  
B65D 43/02; B01D 35/02  
See application file for complete search history.

(56) **References Cited**

**U.S. PATENT DOCUMENTS**

D439,790 S \* 4/2001 Matsushita ..... D7/317  
D440,110 S \* 4/2001 Tanner ..... D7/317

D585,231 S \* 1/2009 Bulala ..... D7/317  
D682,003 S \* 5/2013 Kuzmin ..... D7/319  
D683,176 S \* 5/2013 Kuzmin ..... D7/319  
D772,635 S \* 11/2016 Zhu ..... D7/317  
D774,622 S \* 12/2016 Poindexter ..... D23/209  
D775,711 S \* 1/2017 Poindexter ..... D23/209  
2016/0287002 A1 \* 10/2016 Van Breugel ..... A47J 31/0615

\* cited by examiner

*Primary Examiner* — Daniel Bui

*Assistant Examiner* — Andrew Kerr

(74) *Attorney, Agent, or Firm* — Hudak, Shunk & Farine Co., LPA

(57) **CLAIM**

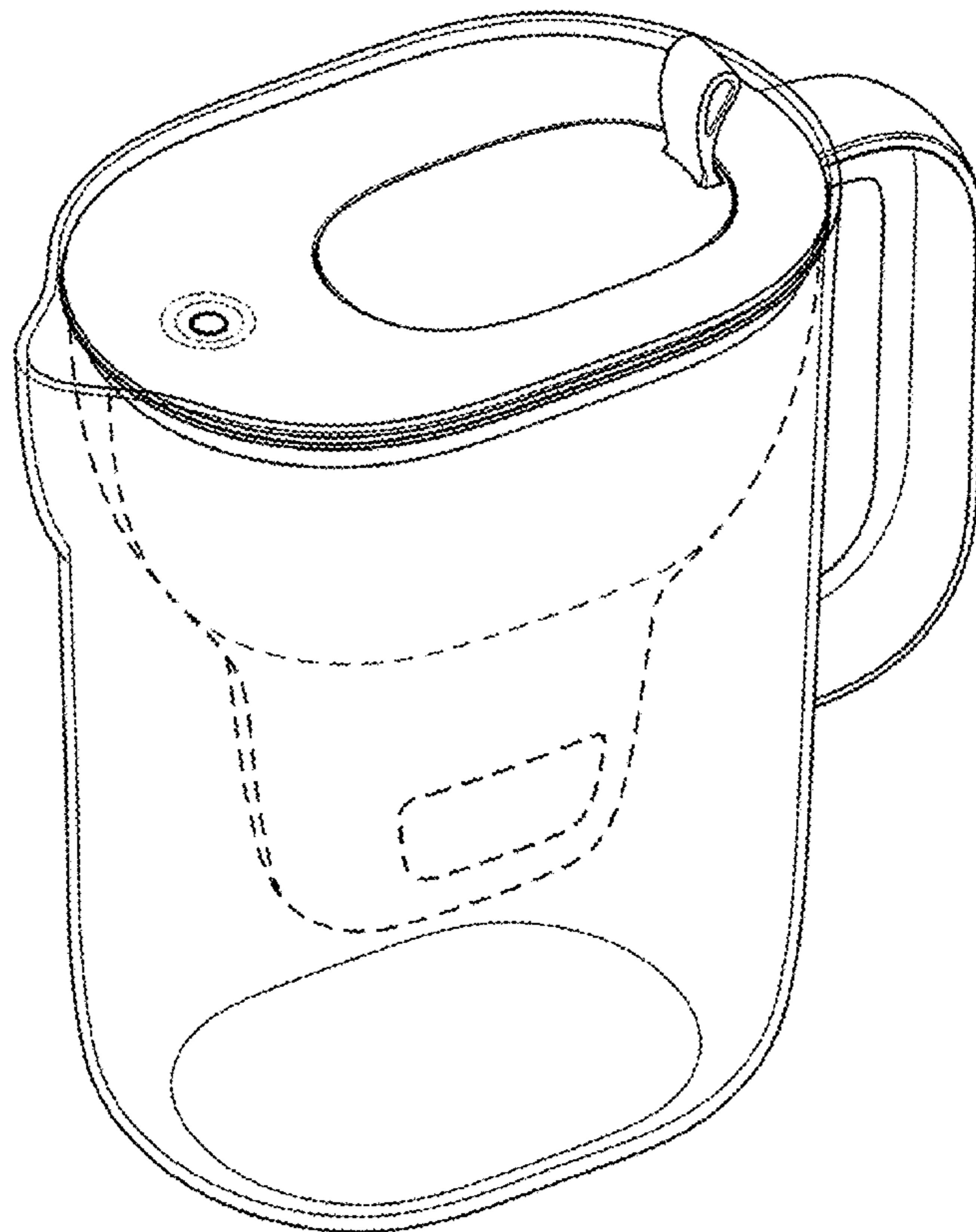
The ornamental design for a “water container,” as shown and described.

**DESCRIPTION**

FIG. 1 is a right front perspective view of a water container showing our new design;  
FIG. 2 is a right side view thereof;  
FIG. 3 is a left side view thereof;  
FIG. 4 is a front view thereof;  
FIG. 5 is a rear view thereof;  
FIG. 6 is a top view thereof; and,  
FIG. 7 is a bottom view thereof.

The broken lines in the drawings are for the purpose of illustrating environment and form no part of the claimed design.

**1 Claim, 7 Drawing Sheets**



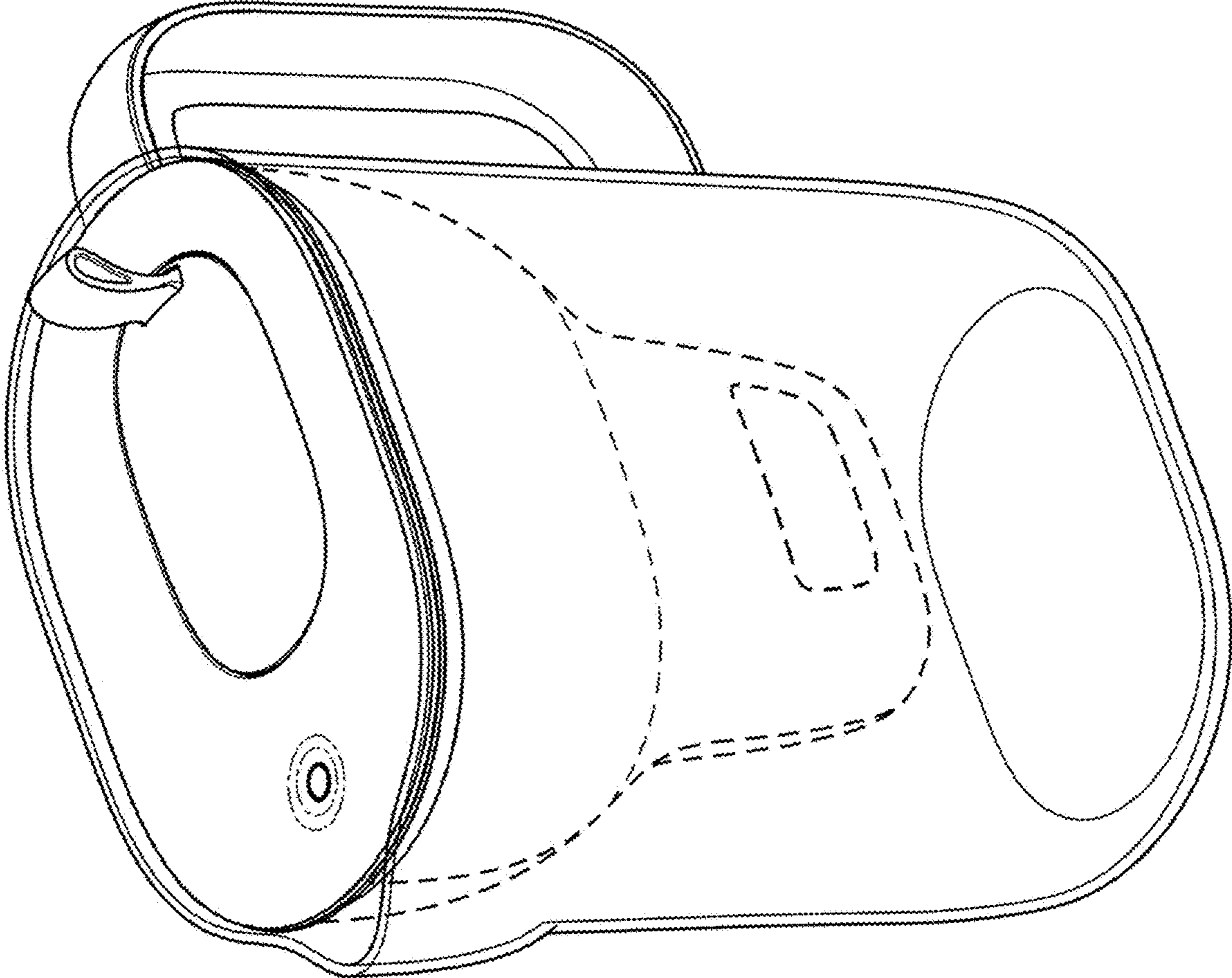


FIG. 1

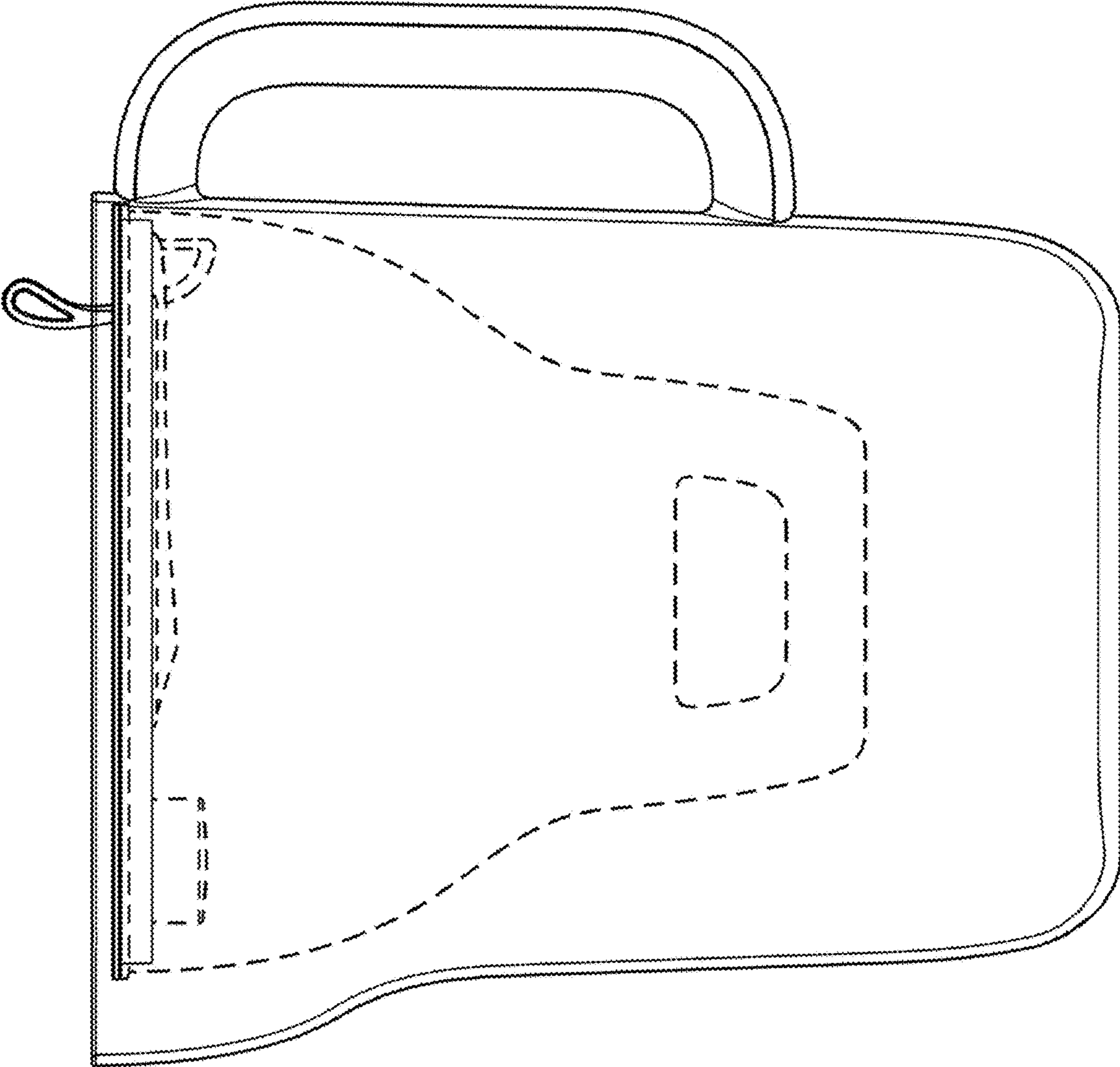


FIG. 2

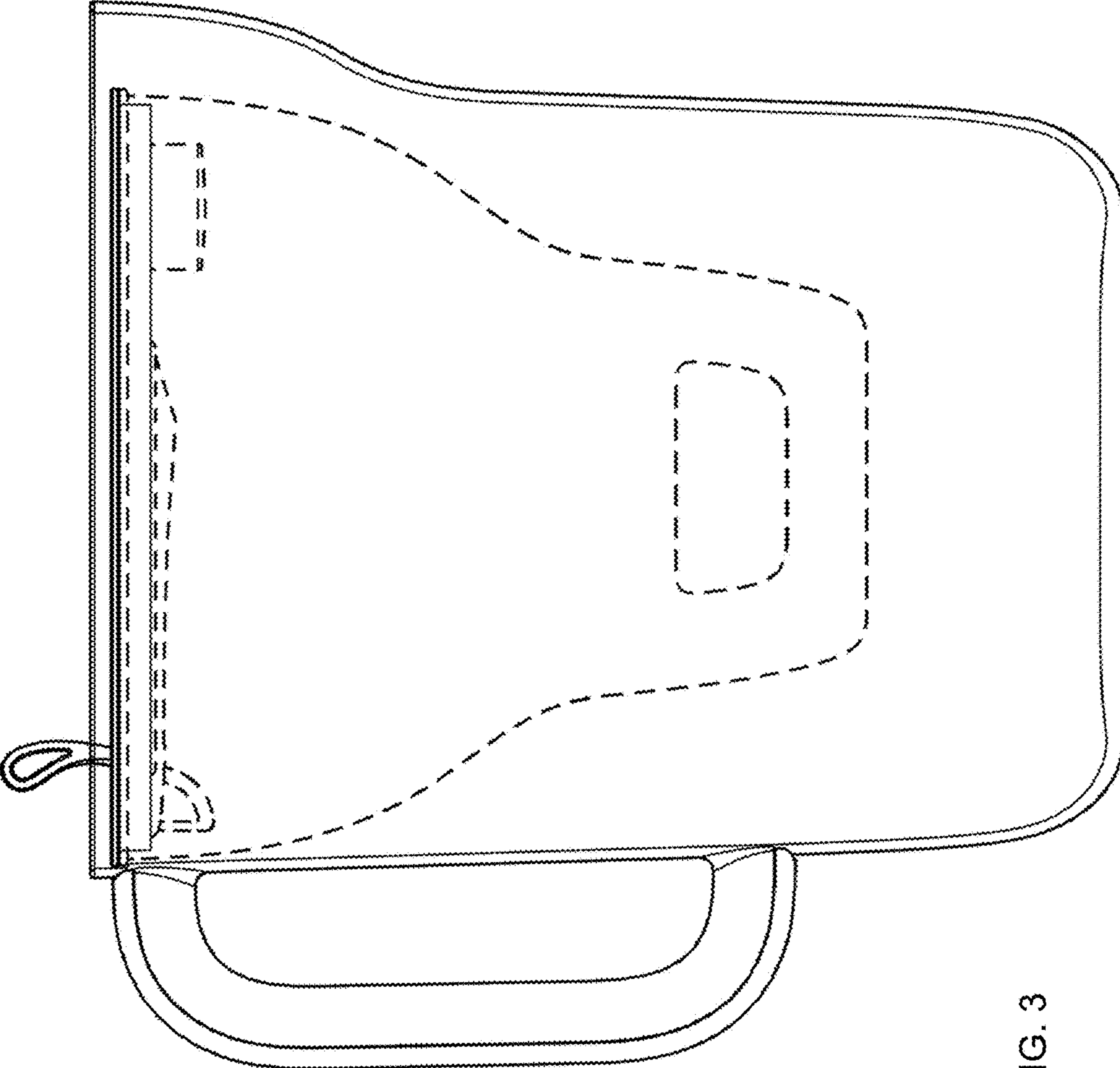


FIG. 3

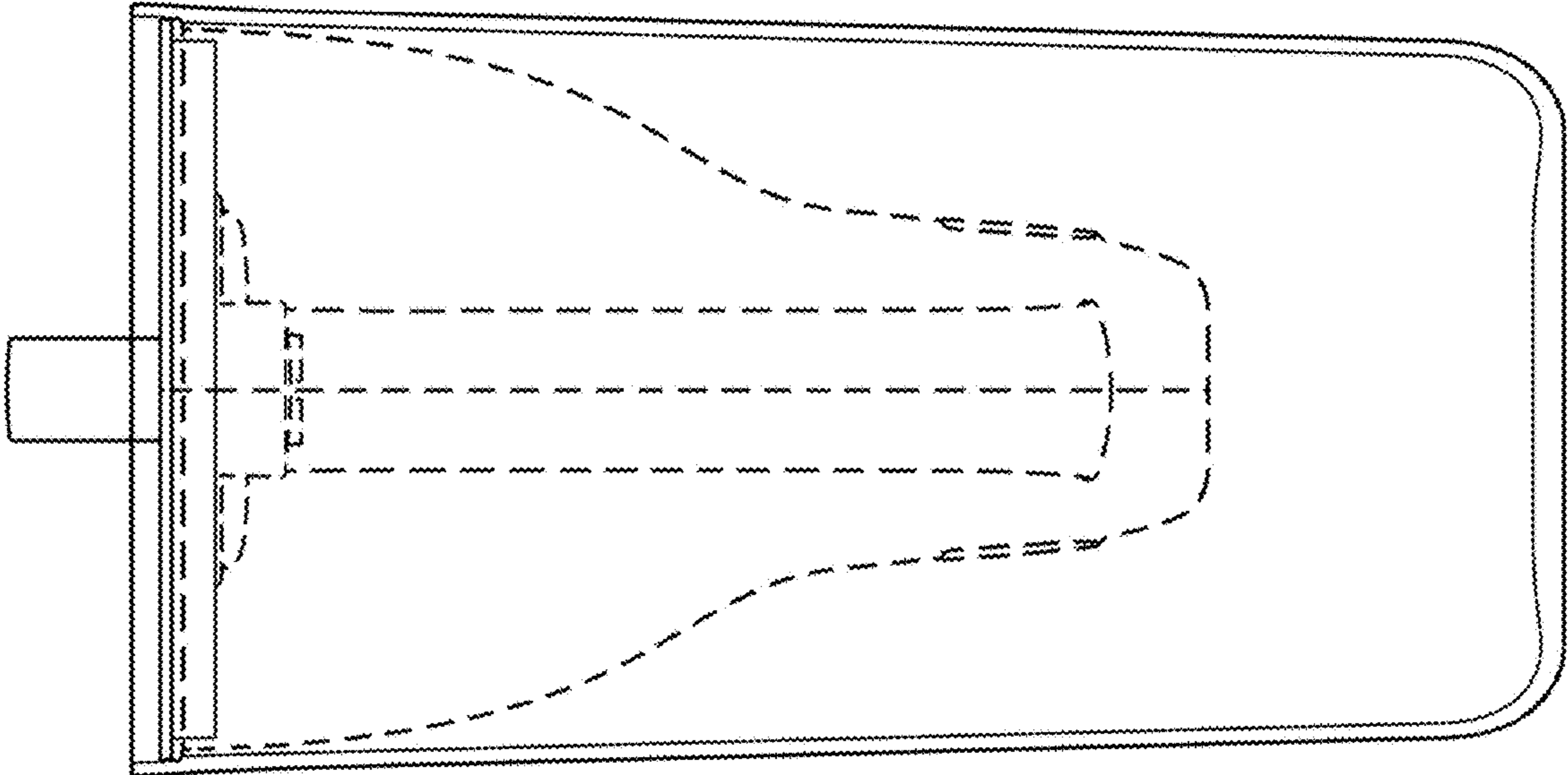


FIG. 4

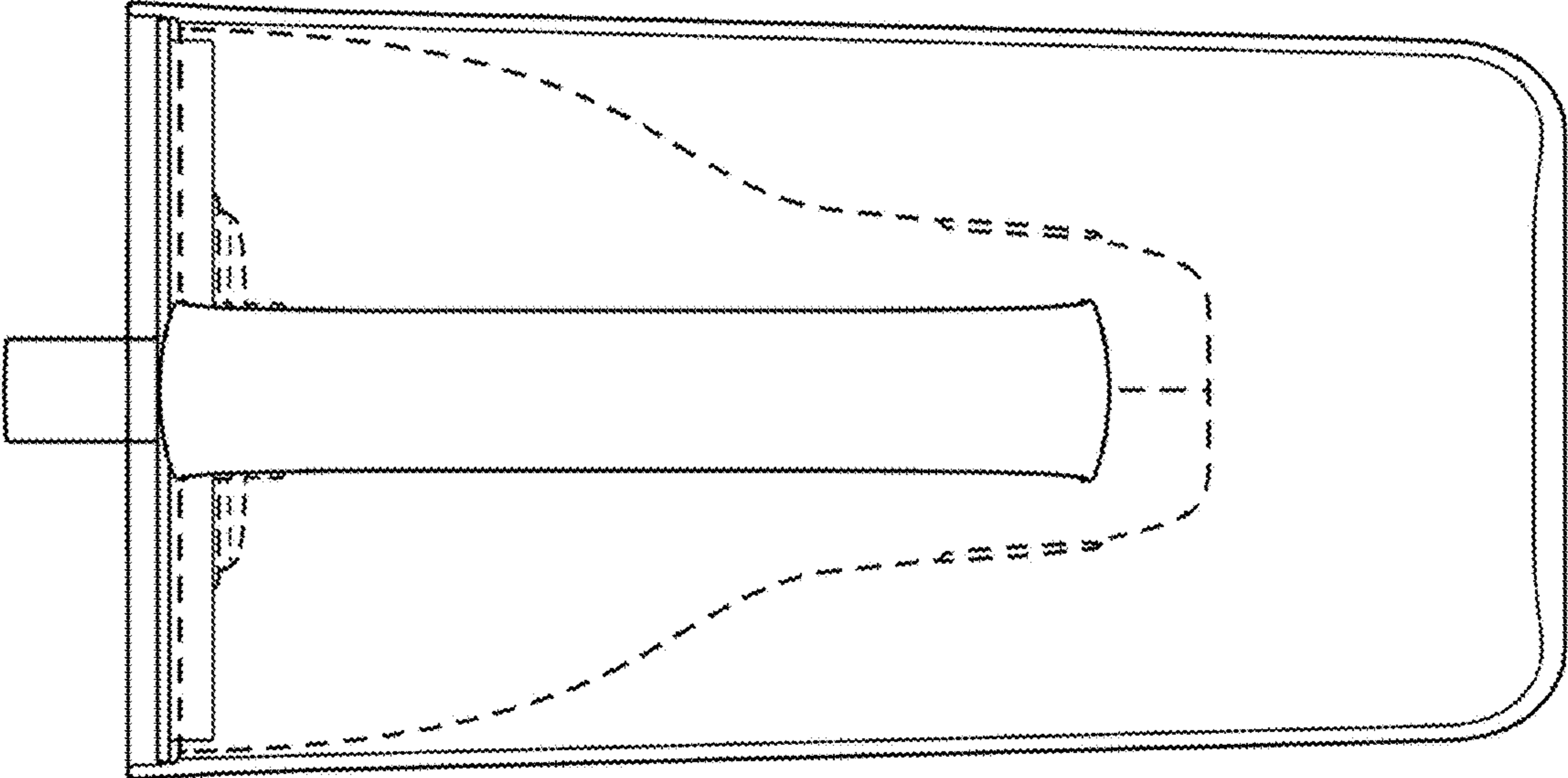


FIG. 5

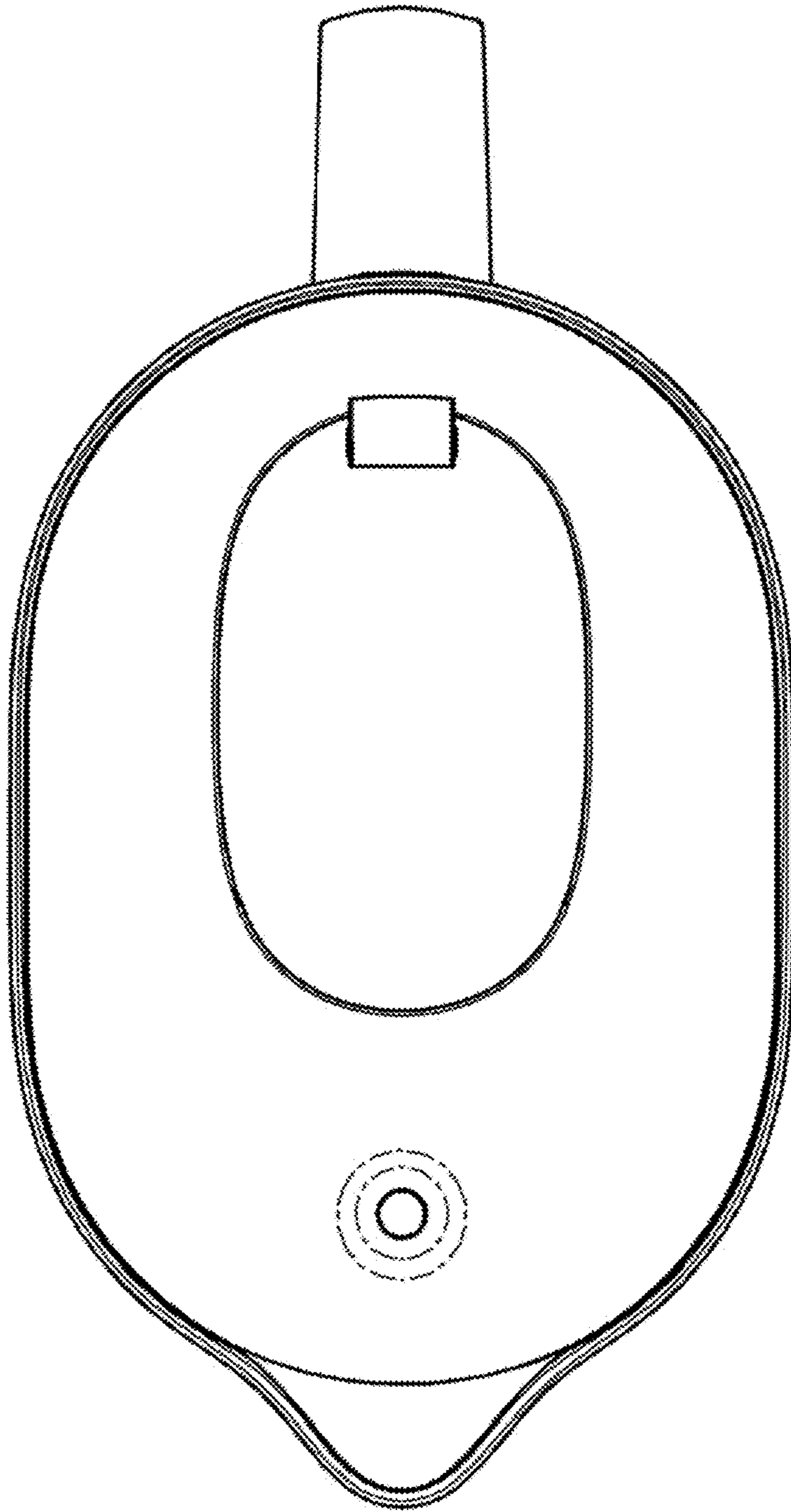


FIG. 6

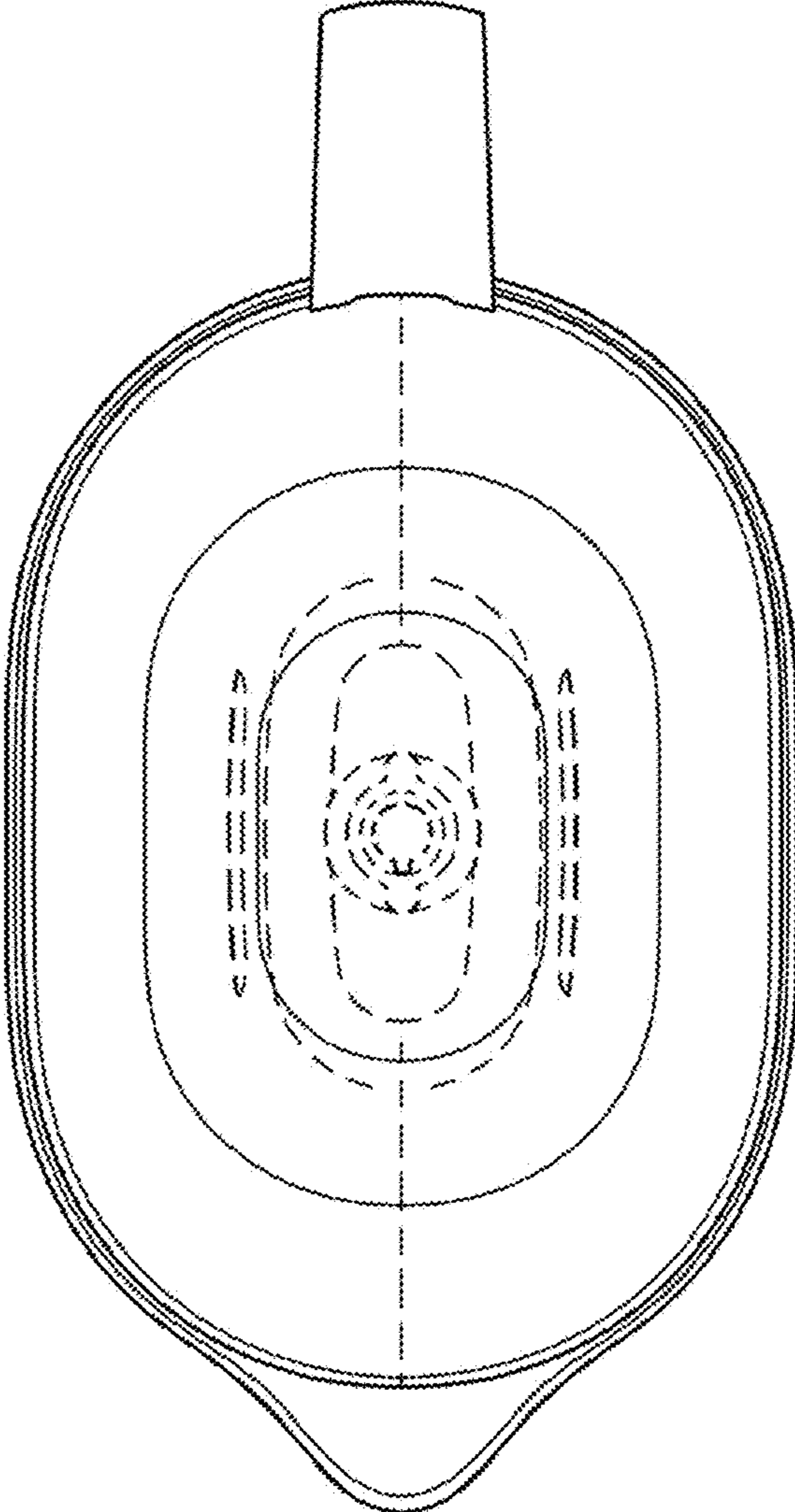


FIG. 7