

US00D800487S

(12) **United States Design Patent** (10) **Patent No.:** **US D800,487 S**  
**Chawla et al.** (45) **Date of Patent:** **\*\* Oct. 24, 2017**

- (54) **BREWING MACHINE AND CARAFE**
- (71) Applicant: **Camellia Labs Inc.**, San Mateo, CA (US)
- (72) Inventors: **Gaurav Chawla**, Foster City, CA (US);  
**Matt Leanse**, Menlo Park, CA (US);  
**Peter A. Relan**, Atherton, CA (US)
- (73) Assignee: **Camellia Labs Inc.**, San Mateo, CA (US)
- (\*\*) Term: **15 Years**
- (21) Appl. No.: **29/551,550**
- (22) Filed: **Jan. 14, 2016**
- (51) **LOC (10) Cl.** ..... **07-01**
- (52) **U.S. Cl.**  
USPC ..... **D7/306; D7/311; D7/310**
- (58) **Field of Classification Search**  
USPC ..... D7/305-311, 313; D15/82; 222/129.1,  
222/146.6; 99/295  
CPC ..... A47J 31/44; A47J 31/4403; A47J 31/46;  
A47J 31/4482; A47J 31/369; A47J  
31/407; A47J 31/10; A47J 31/467; A47J  
31/0615; B67D 1/36; B67D 2210/0065;  
B67D 1/0864; B67D 3/0061  
See application file for complete search history.

- (56) **References Cited**  
U.S. PATENT DOCUMENTS  
D207,526 S \* 4/1967 Martin et al. .... D7/311  
D218,191 S \* 7/1970 Terolitz ..... D7/309  
3,592,125 A \* 7/1971 Tolmie ..... A47J 31/0573  
392/467  
D240,386 S \* 7/1976 Stuetzer ..... D7/309  
4,721,034 A \* 1/1988 Shimomura ..... A47J 31/047  
99/280  
D300,106 S \* 3/1989 Paulin ..... D7/309

- 4,882,983 A \* 11/1989 Pastrick ..... A47J 31/0615  
99/295
- D310,931 S \* 10/1990 Mollenhoff ..... D7/309
- D423,862 S \* 5/2000 Mravlja, Jr. .... D7/305
- D489,214 S \* 5/2004 Noda ..... D7/309
- D507,449 S \* 7/2005 Burton ..... D7/309
- 7,089,849 B2 \* 8/2006 Chen ..... A47J 31/057  
99/290
- D552,402 S \* 10/2007 Schwamkrug ..... D7/309
- D560,950 S \* 2/2008 Schwamkrug ..... D7/309
- D566,453 S \* 4/2008 Schwamkrug ..... D7/309
- 7,565,860 B1 \* 7/2009 Liu ..... A47J 31/10  
99/291
- D610,857 S \* 3/2010 Pateman ..... D7/306
- D688,081 S \* 8/2013 Warburton ..... D7/306
- D712,223 S \* 9/2014 Romley ..... D8/38
- D718,563 S \* 12/2014 Deman ..... D7/305
- D718,972 S \* 12/2014 Jorgensen ..... D7/309
- D742,679 S \* 11/2015 Bartoli ..... D7/309
- D760,530 S \* 7/2016 Bartoli ..... D7/309
- D761,051 S \* 7/2016 Bartoli ..... D7/309

(Continued)

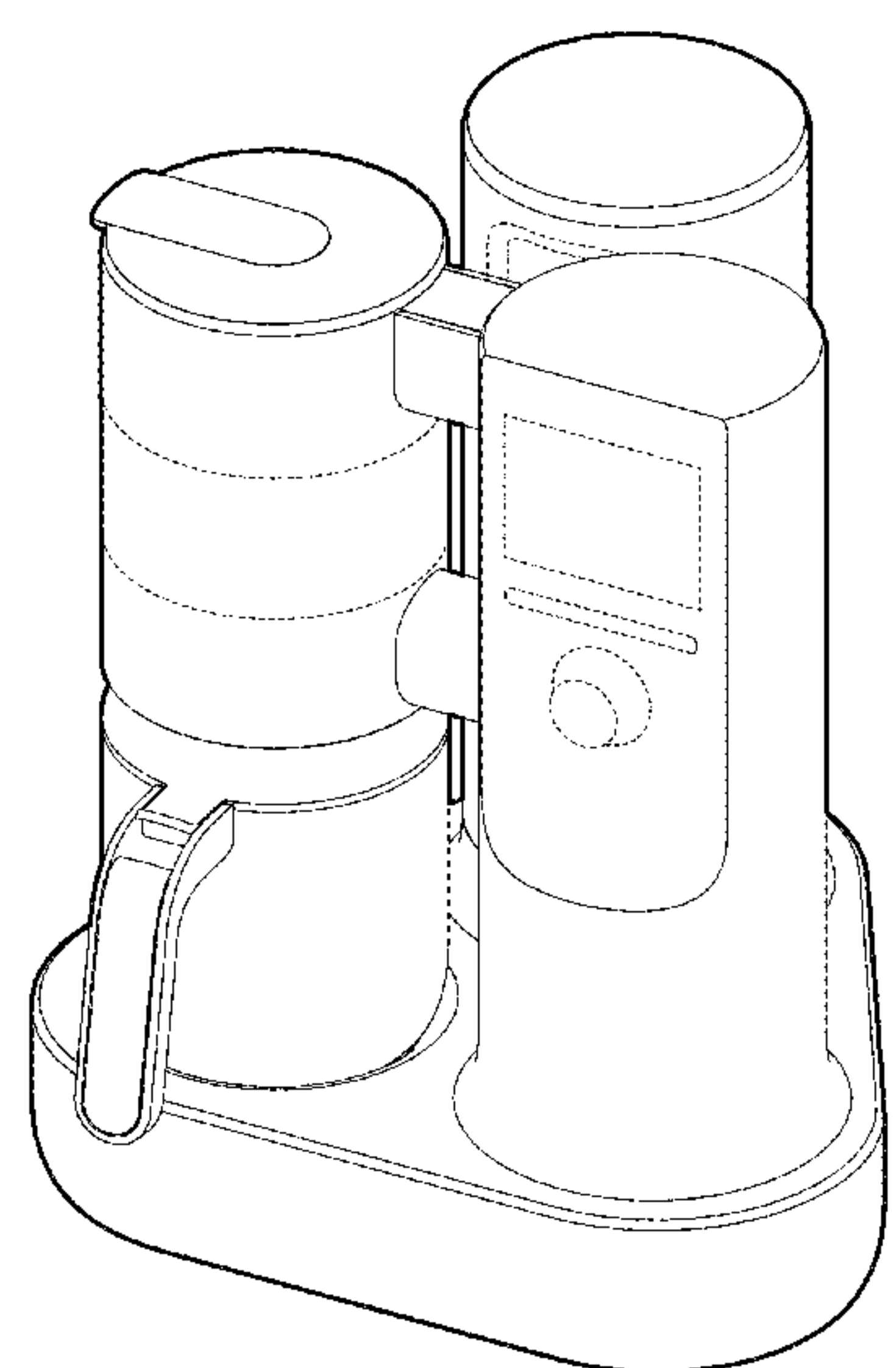
*Primary Examiner* — Marianne Pandozzi  
(74) *Attorney, Agent, or Firm* — Cooley LLP

(57) **CLAIM**  
The ornamental design for a brewing machine and carafe, as shown and described.

**DESCRIPTION**

FIG. 1 is a top front perspective view of a brewing machine and carafe showing our new design; FIG. 2 is a right side view thereof; FIG. 3 is a left side view thereof; FIG. 4 is a top view thereof; FIG. 5 is a front view thereof; FIG. 6 is a rear view thereof; and, FIG. 7 is a bottom view thereof. The broken lines in the drawing depict portions of the brewing machine and carafe that form no part of the claimed design.

**1 Claim, 7 Drawing Sheets**



(56)

**References Cited**

U.S. PATENT DOCUMENTS

D773,877 S \* 12/2016 Lee ..... D7/309  
D773,878 S \* 12/2016 Lee ..... D7/309  
2016/0255990 A1\* 9/2016 Bartoli ..... A47J 31/0668

\* cited by examiner

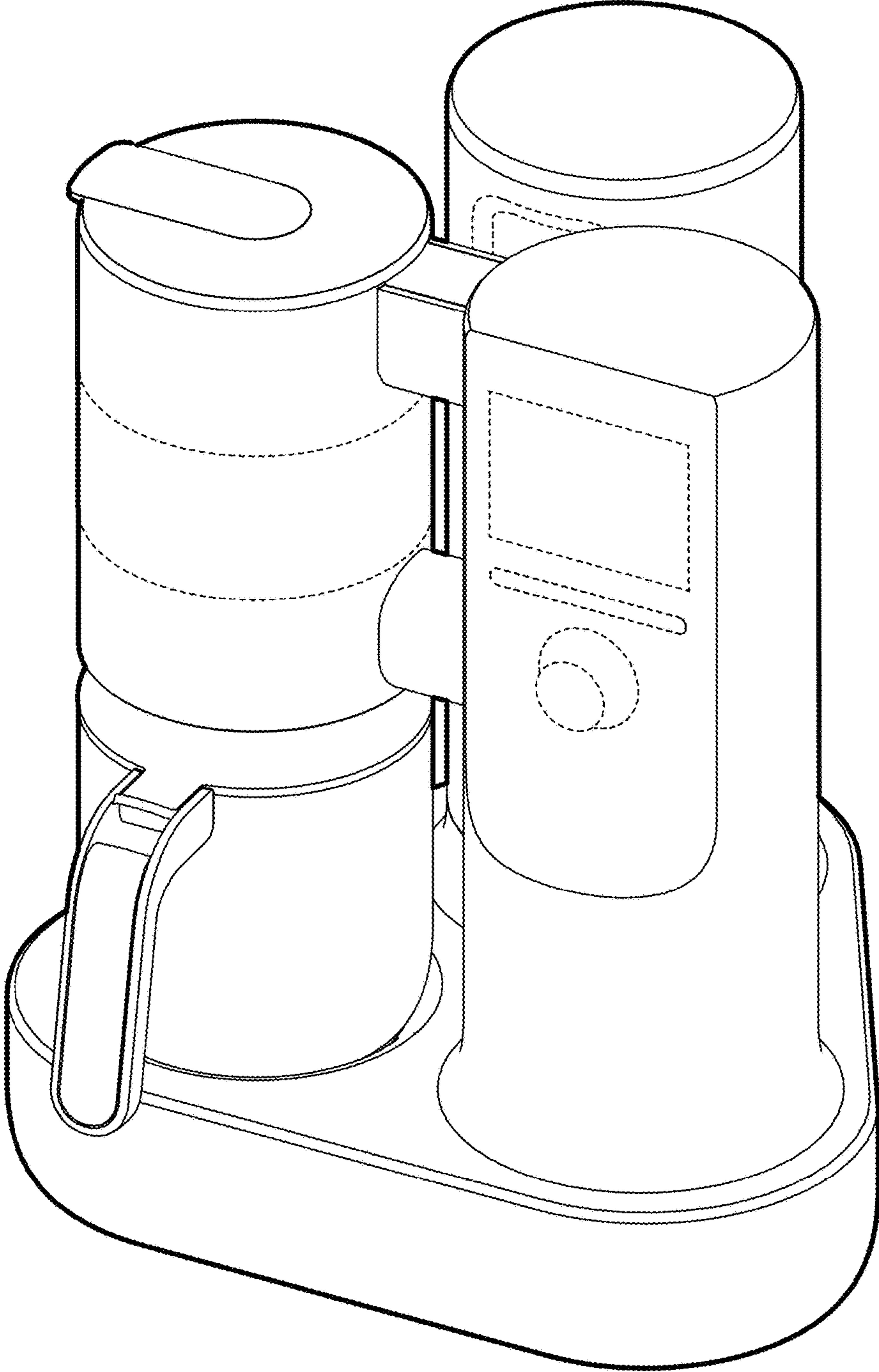


FIGURE 1

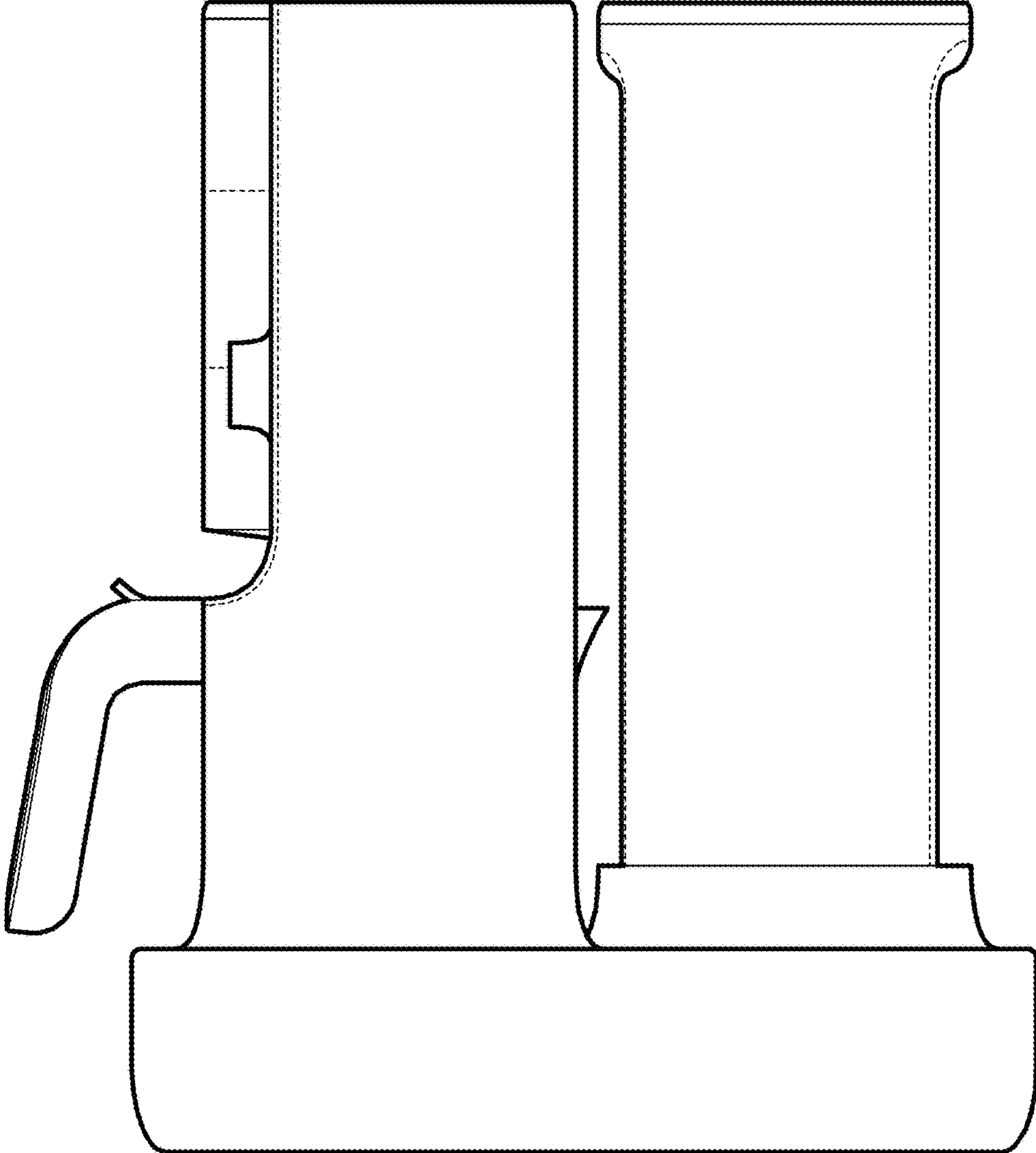


FIGURE 2

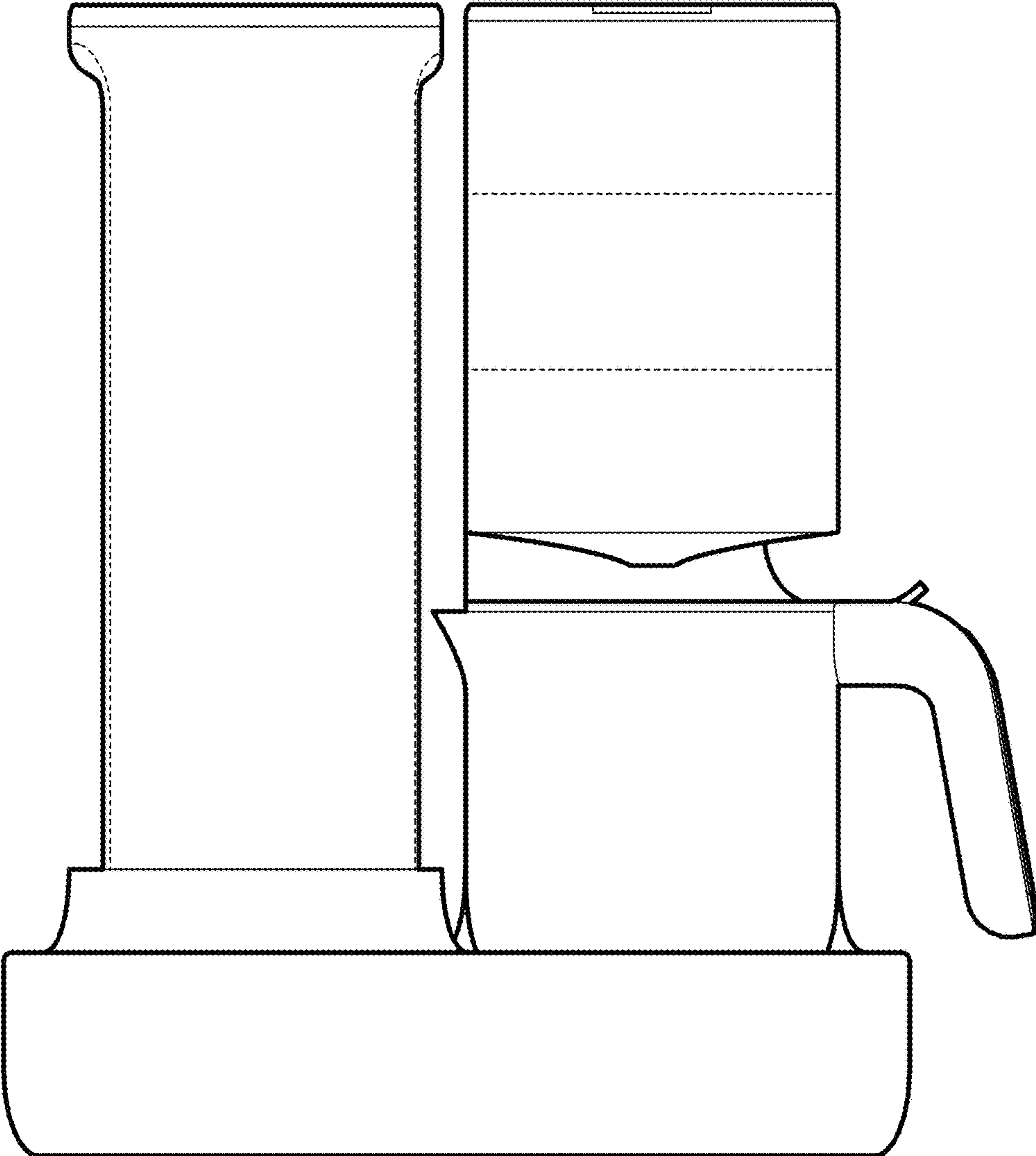


FIGURE 3

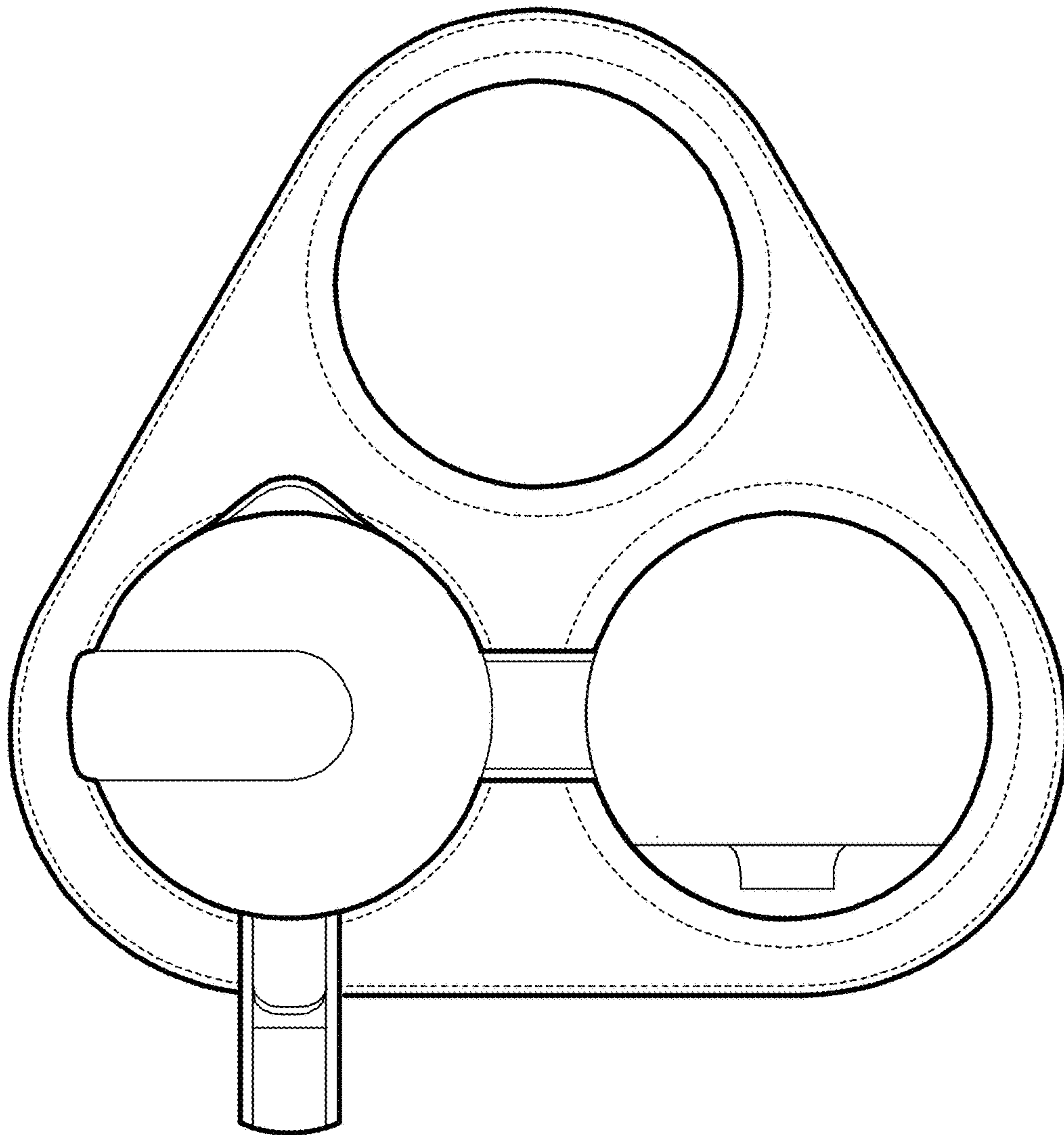


FIGURE 4



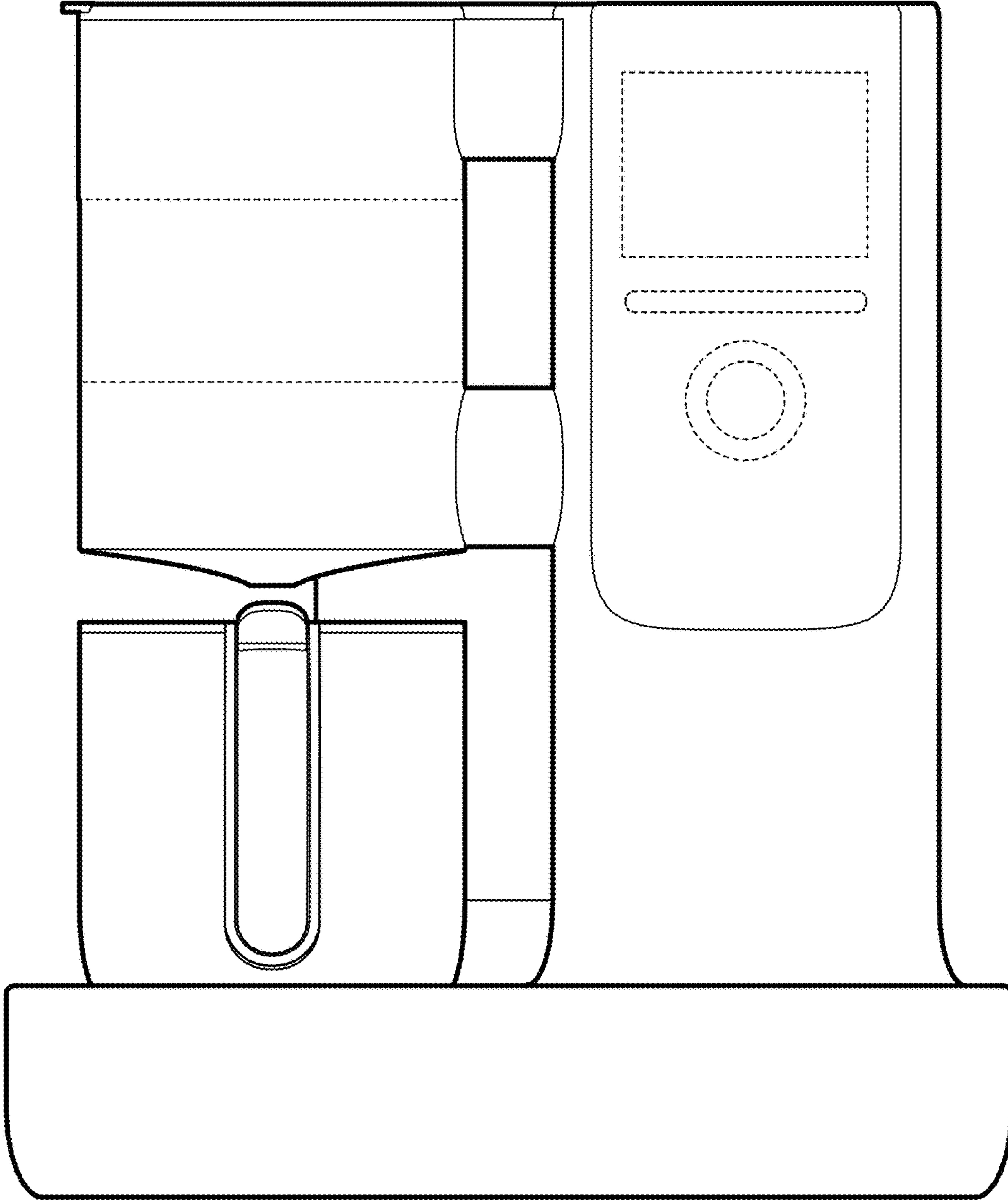


FIGURE 5

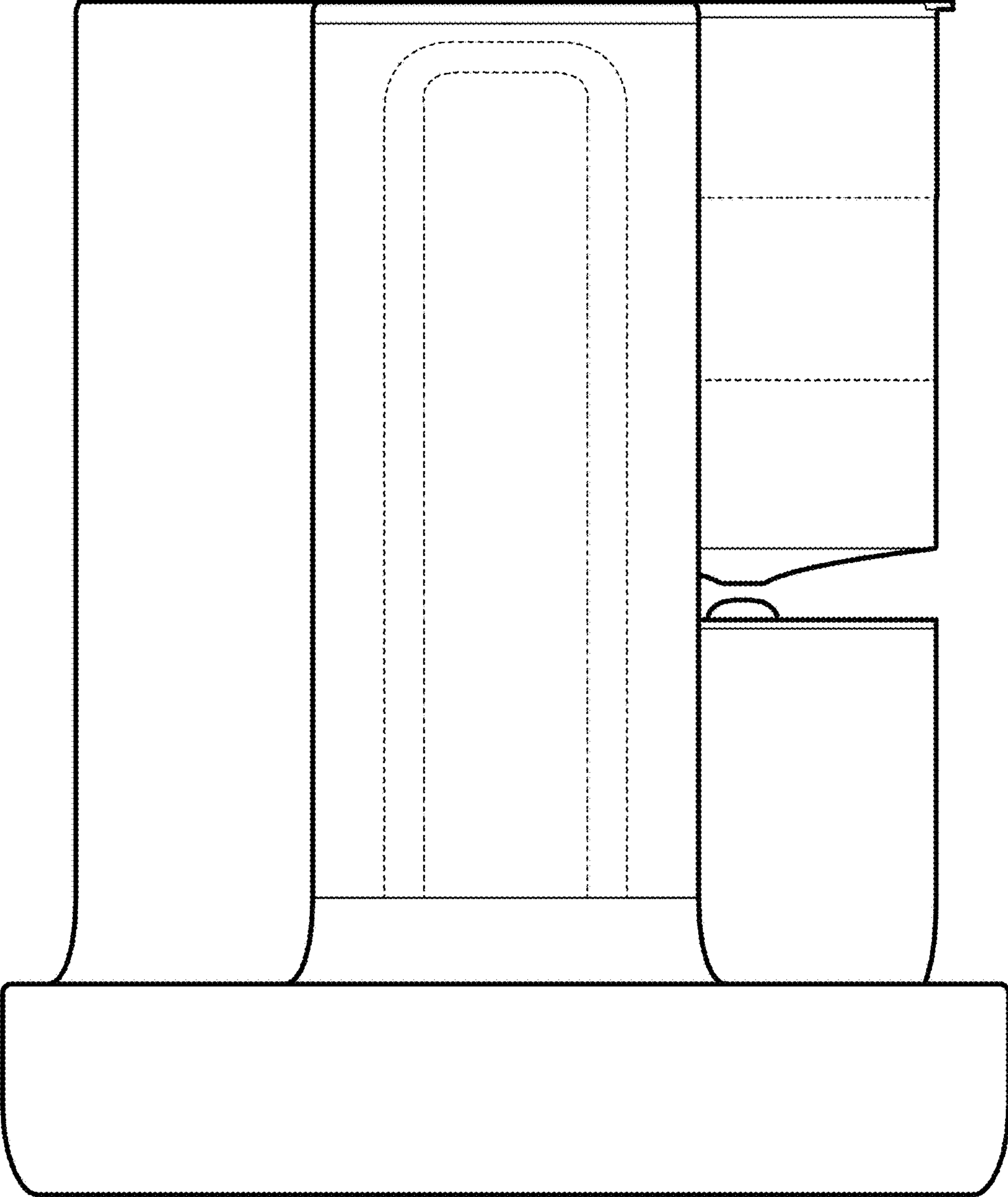


FIGURE 6



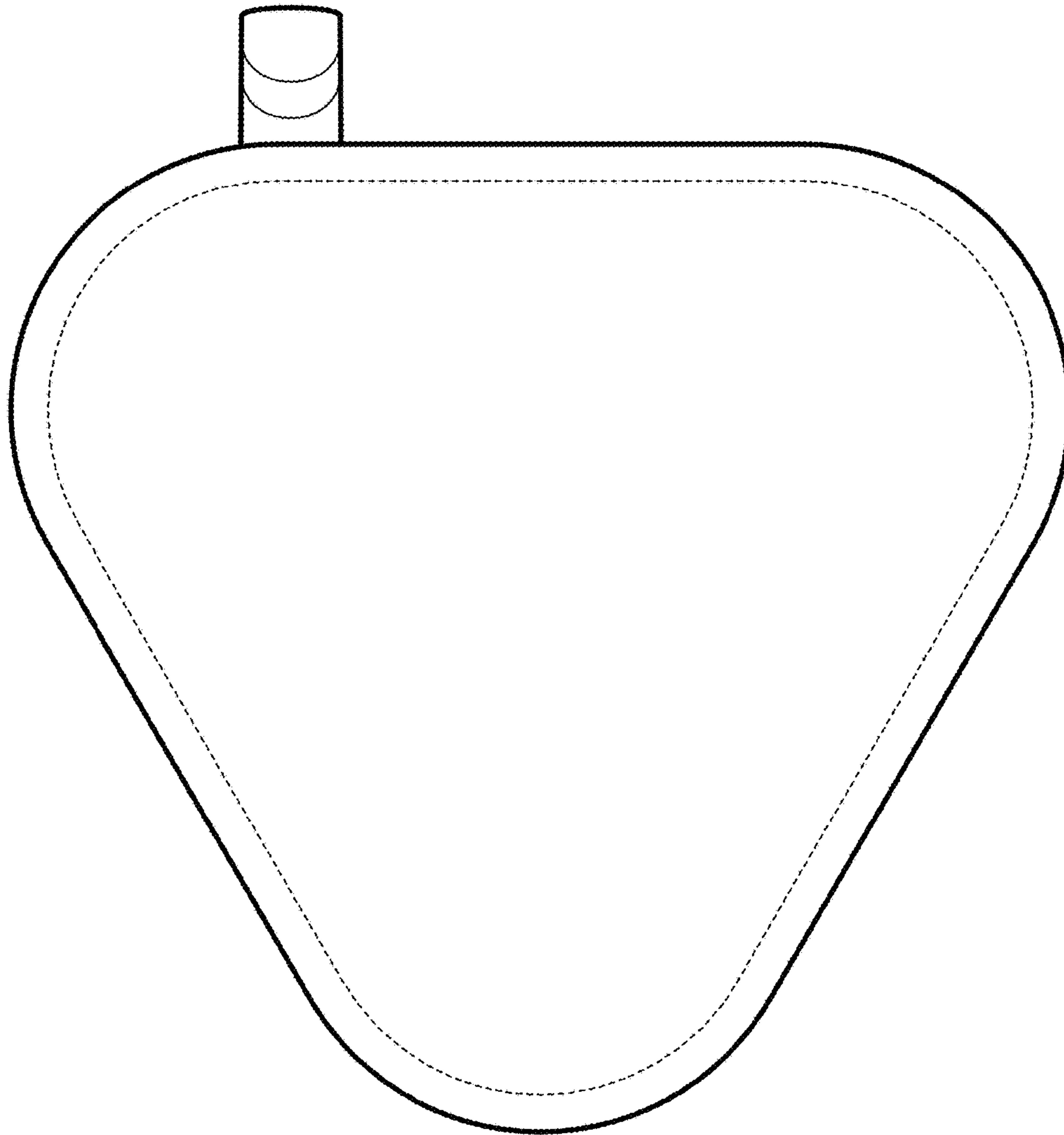


FIGURE 7