



US00D800486S

(12) **United States Design Patent** (10) **Patent No.:** **US D800,486 S**
Petrucelli (45) **Date of Patent:** **** Oct. 24, 2017**

(54) **BEAUTY SALON CHAIR**
 (71) Applicant: **P.S. Pibbs, Inc.**, Flushing, NY (US)
 (72) Inventor: **Giulio Petrucelli**, Flushing, NY (US)
 (73) Assignee: **P.S. Pibbs, Inc.**, Flushing, NY (US)
 (**) Term: **15 Years**
 (21) Appl. No.: **29/571,583**
 (22) Filed: **Jul. 20, 2016**
 (51) **LOC (10) Cl.** **06-01**
 (52) **U.S. Cl.**
 USPC **D6/716; D6/364**
 (58) **Field of Classification Search**
 USPC D6/716
 CPC A47C 1/04; A47C 1/06; A47C 3/18; A47C
 3/20; A47C 3/24; A47C 4/028; A47C
 5/04; A47C 7/002; A47C 7/004; A47C
 7/24
 See application file for complete search history.

D251,277 S * 3/1979 Kelley D6/366
 D256,967 S * 9/1980 Hirota D6/360
 D503,549 S * 4/2005 Nicoletti D6/336
 D560,379 S * 1/2008 Fancelli D6/364
 D650,603 S * 12/2011 Petrucelli D6/364
 D651,423 S * 1/2012 Petrucelli D6/364
 D769,658 S * 10/2016 Petrucelli D6/716

* cited by examiner

Primary Examiner — Mimoso De

(74) *Attorney, Agent, or Firm* — Gerald E. Hespos;
Michael J. Porco; Matthew T. Hespos

(57) **CLAIM**

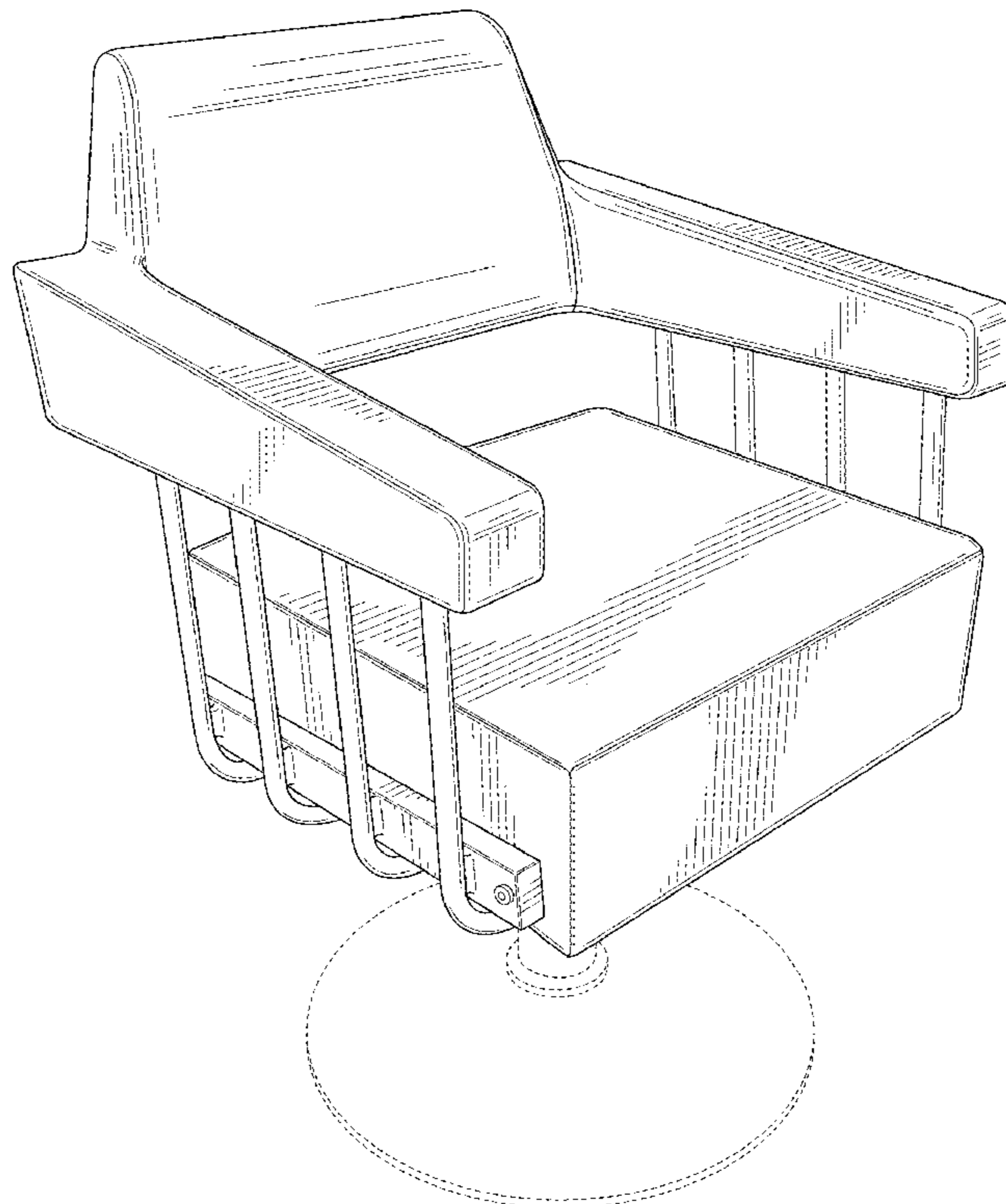
The ornamental design for a beauty salon chair, as shown and described.

DESCRIPTION

FIG. 1 is a perspective view of a beauty salon chair in accordance with my design;
 FIG. 2 is a front elevational view of the beauty salon chair of FIG. 1;
 FIG. 3 is a rear elevational view thereof;
 FIG. 4 is a left side elevational view thereof;
 FIG. 5 is a right side elevational view thereof;
 FIG. 6 is a top plan view thereof; and,
 FIG. 7 is a bottom plan view thereof.
 The broken lines represent portions of the structure that form no part of the claimed design.

1 Claim, 7 Drawing Sheets

(56) **References Cited**
 U.S. PATENT DOCUMENTS
 D177,765 S * 5/1956 Romito D6/360
 D179,969 S * 4/1957 Fidel 297/397
 2,989,280 A * 6/1961 Newman A47C 3/24
 297/344.2
 3,029,108 A * 4/1962 Good A47C 5/04
 297/411.43
 D227,950 S * 7/1973 Okiyama D6/360



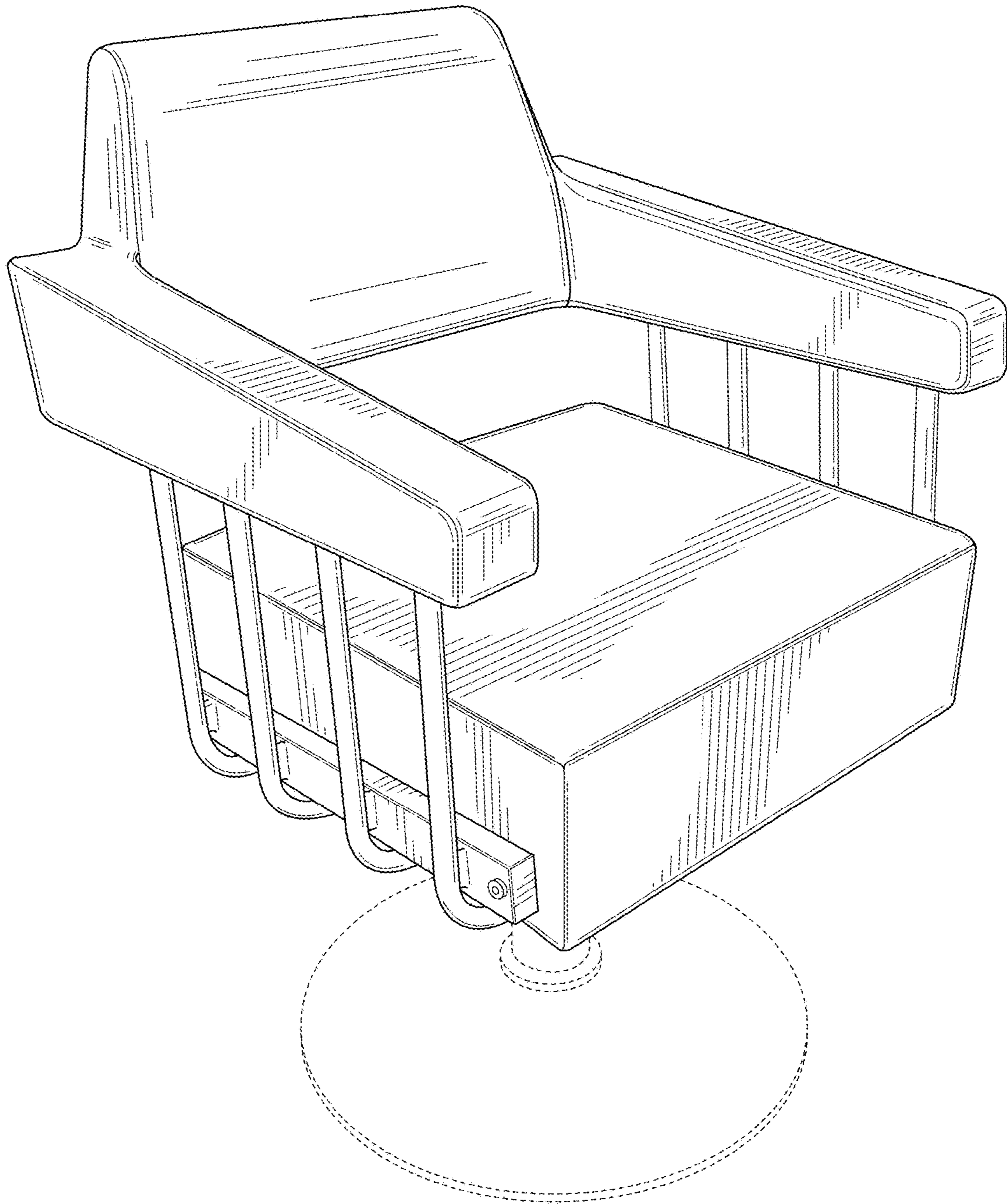


FIG. 1

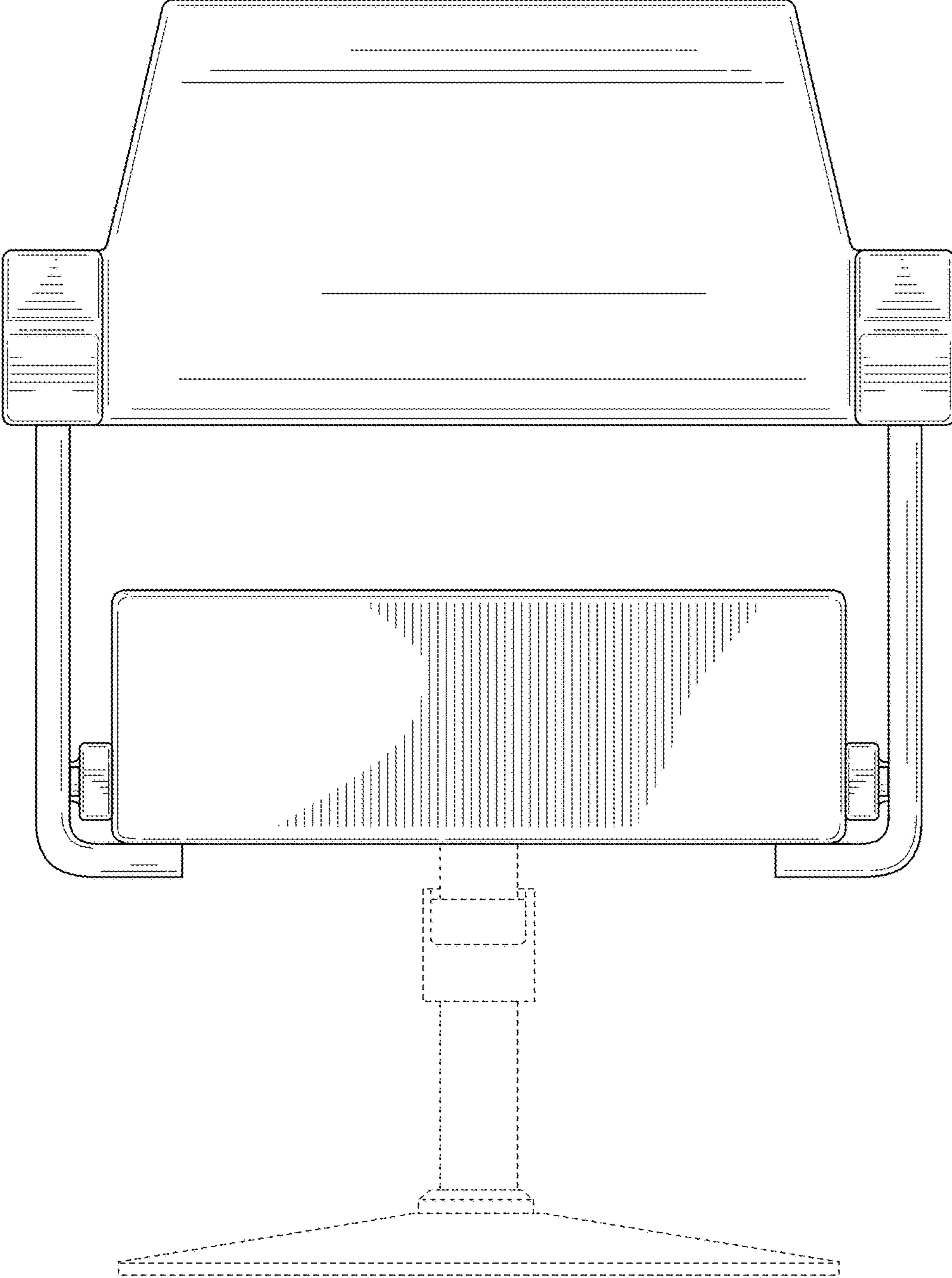


FIG. 2

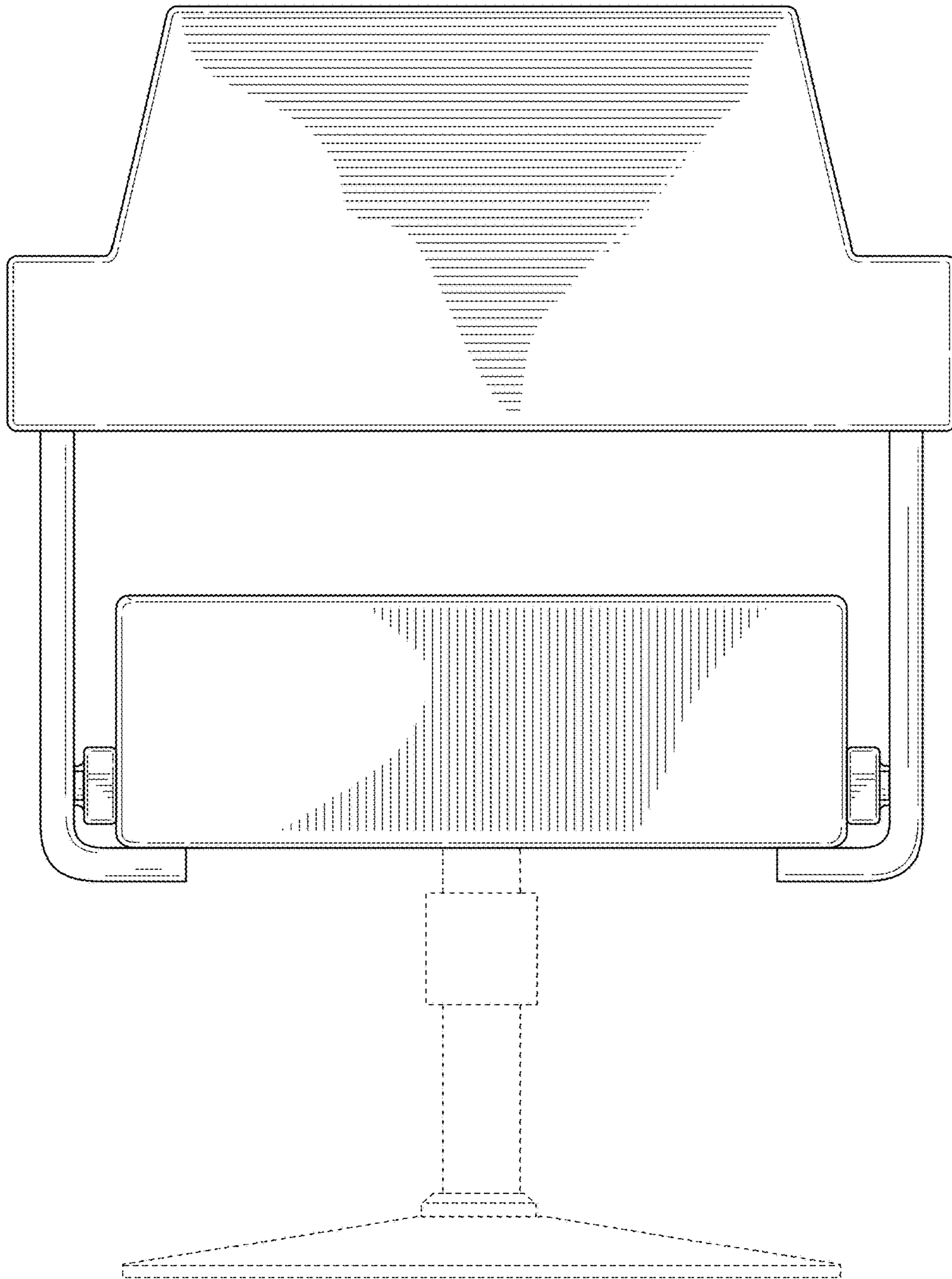


FIG. 3

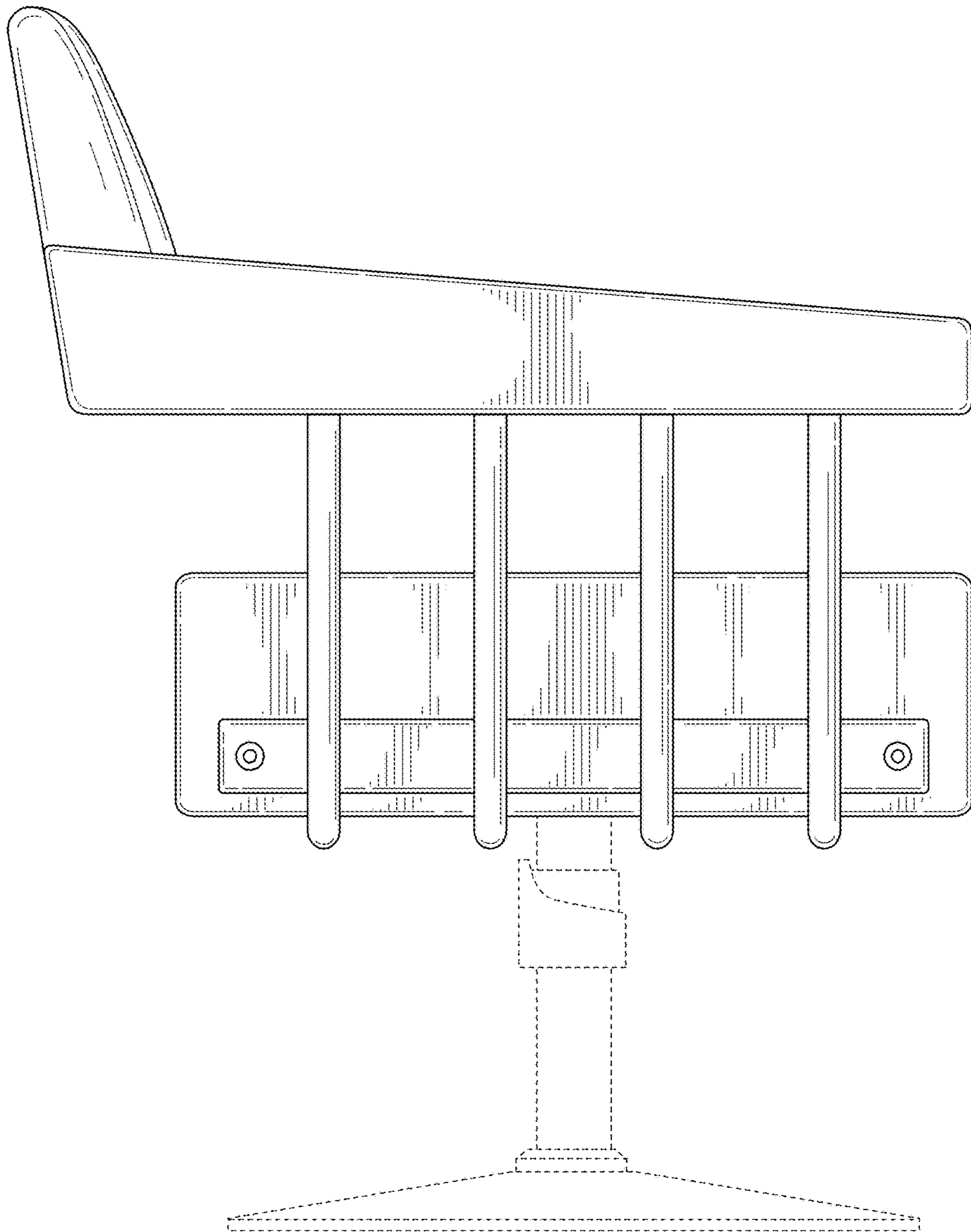


FIG. 4

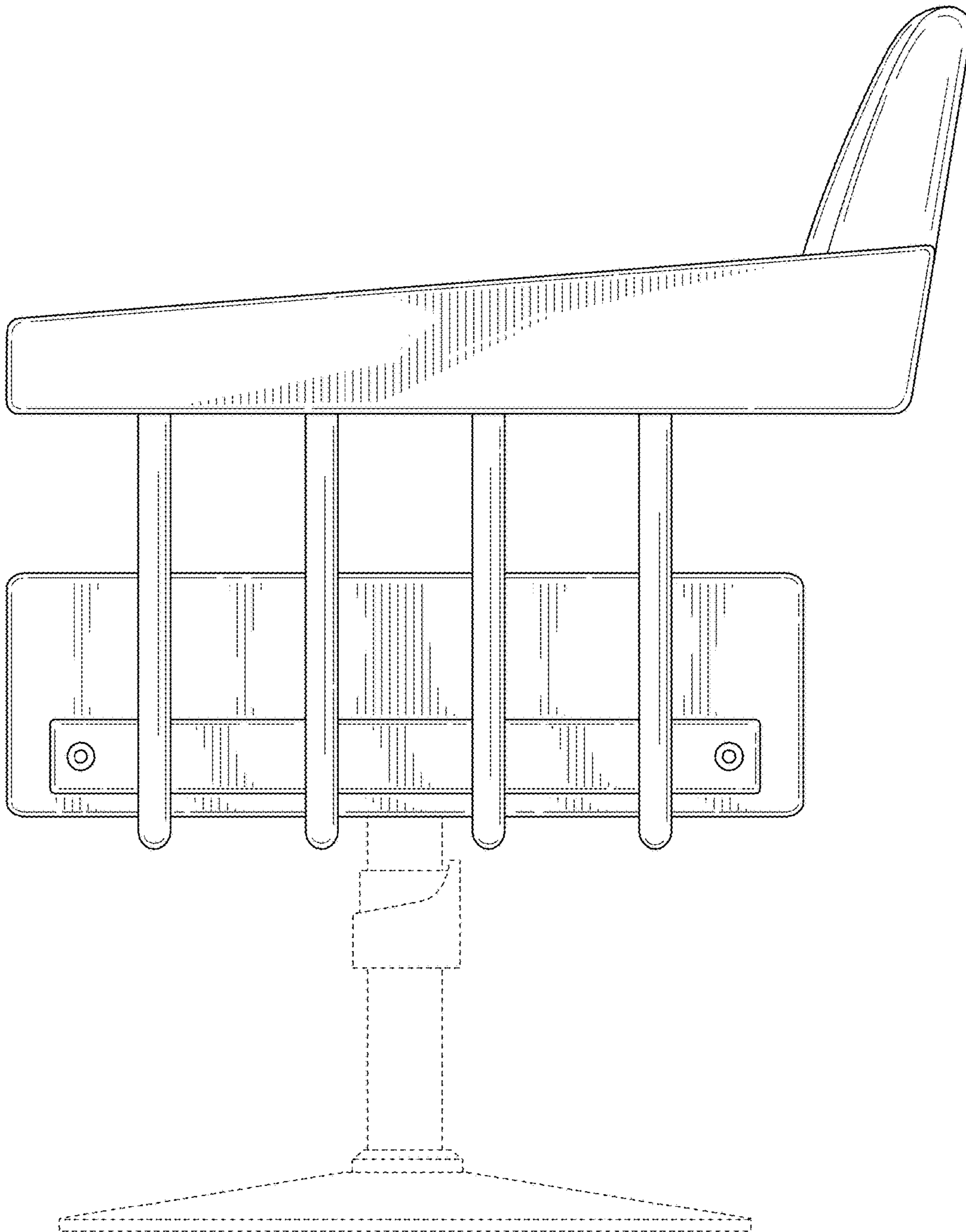


FIG. 5

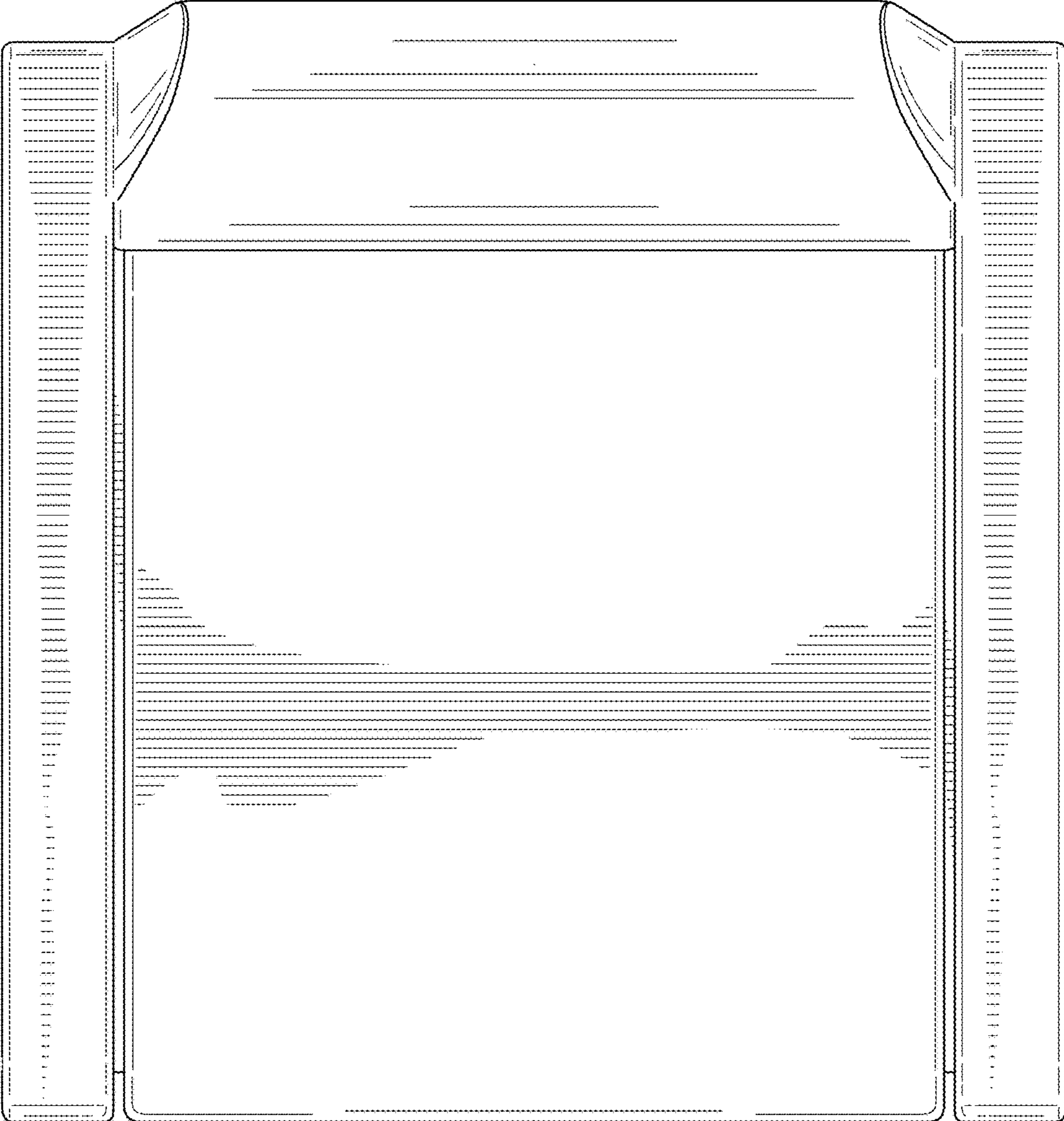


FIG. 6

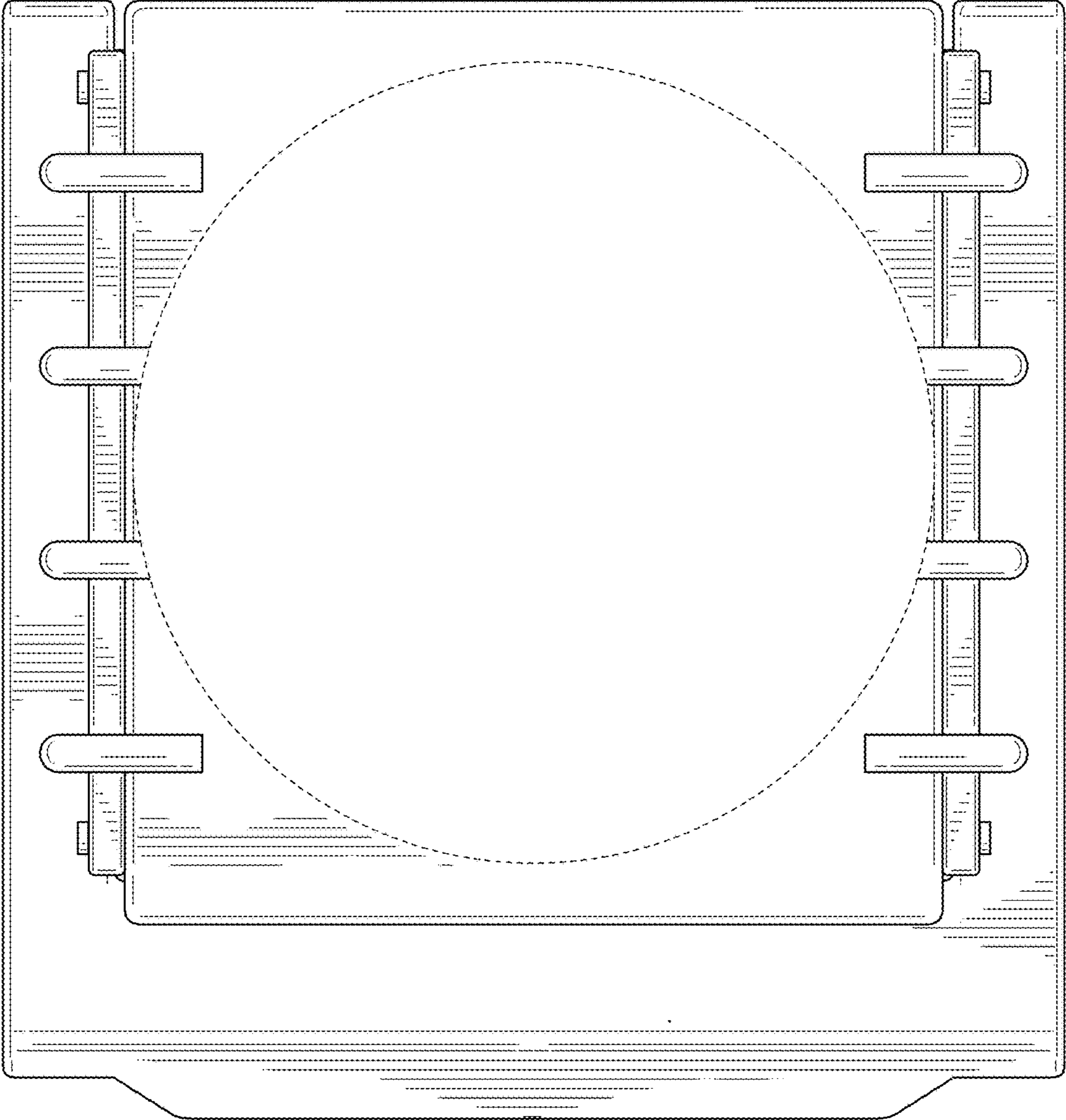


FIG. 7